

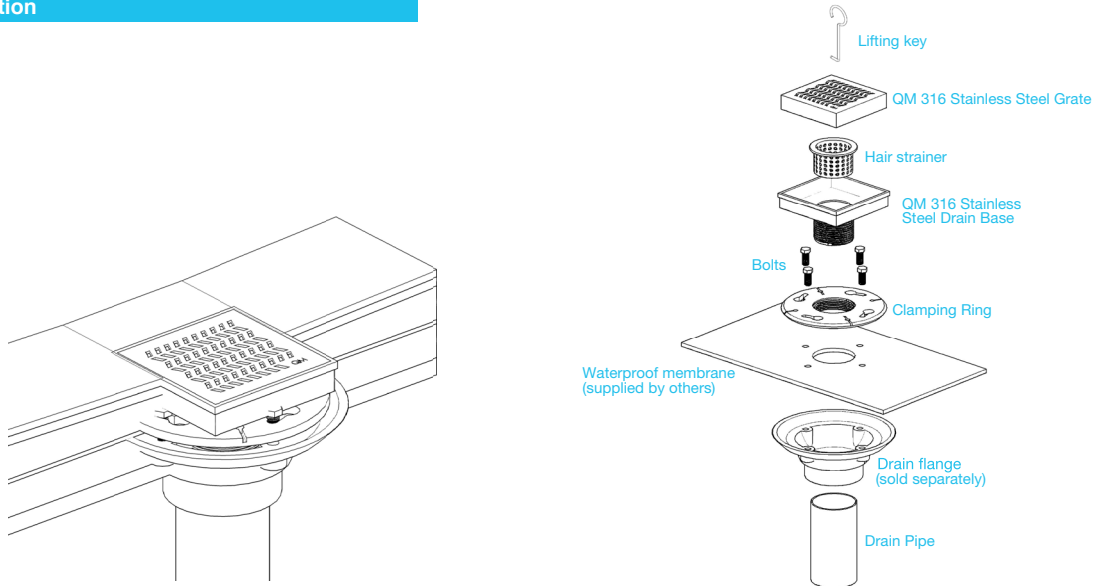



 USA - ASME A 112.18.2-2011/
 CAN - CSA B 125.2-11.
 Certificate #2689051

QM USA, Corp.
 2570 N Powerline Road
 # 503 Pompano Beach
 FL, USA 33069
 P: 954 773 9450
 info@qm-us.com
www.qmdrain.com

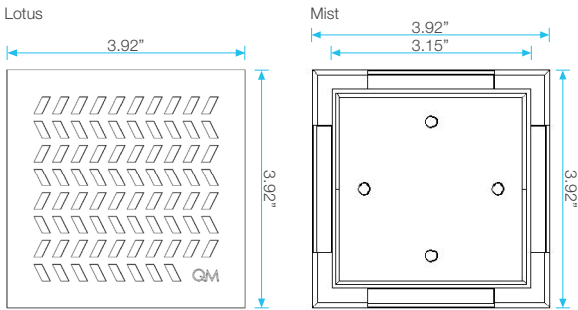
Specification Sheet

Installation

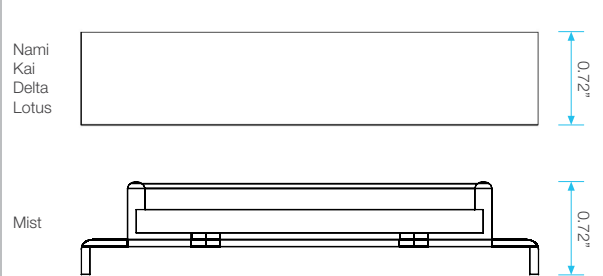
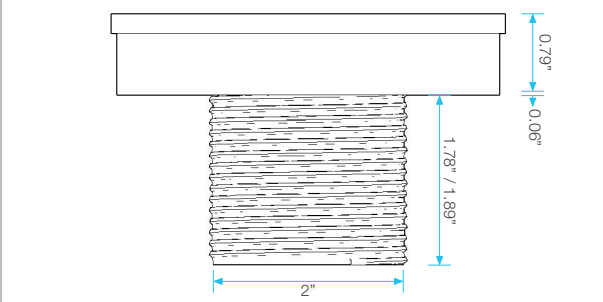
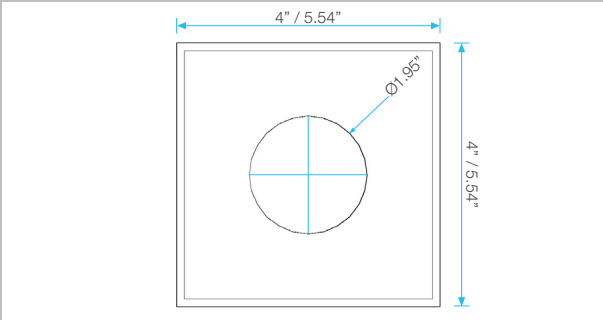
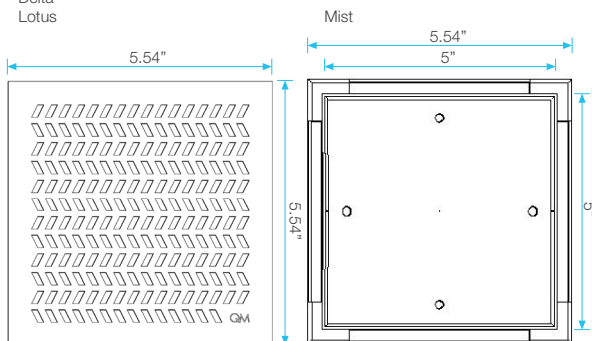


Specifications

4" x 4"
 Nami
 Kai
 Delta
 Lotus



5 3/4" x 5 3/4"
 Nami
 Kai
 Delta
 Lotus



Note: Installer must verify all rough-in dimensions prior to installation and consult local and national codes. Conformity and compliance to local and national codes are the responsibility of the installer.




 C US
 USA - ASME A 112.18.2-2011/
 CAN - CSA B 125.2-11.
 Certificate #2689051

QM USA, Corp.
 2570 N Powerline Road
 # 503 Pompano Beach
 FL, USA 33069
 P : 954 773 9450
 info@qm-us.com
www.qmdrain.com

Specification Sheet

Delmar Series Features

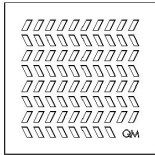
- 16 gauge 316 Stainless Steel Grate = 1.5 mm
- 18 gauge 316 Stainless Steel Base = 1.2 mm
- Requires traditional 4-way floor pitch
- Works with 2" ABS, PVC or Cast Iron shower drain flange (not included)
- Grate can be removed completely for cleaning
- Hair Strainer Basket comes with every drain, fits inside the drain to collect hair and other debris, preventing pipe clogs

Kit includes

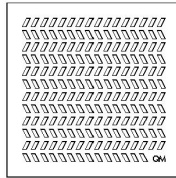
- Grate
- Base
- Hair Strainer
- Lifting Key

Complete Kit

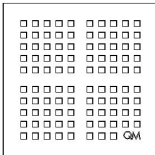
Nami Line



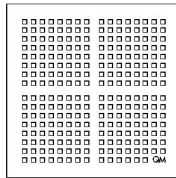
SKU 33.100.00 4x4" Satin
 SKU 33.100.01 5 3/4"x5 3/4" Satin



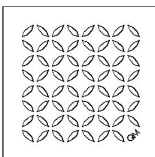
Kai Line



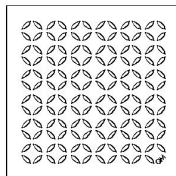
SKU 33.200.00 4x4" Satin
 SKU 33.200.01 5 3/4"x5 3/4" Satin



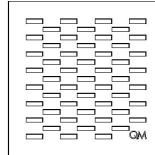
Lotus Line



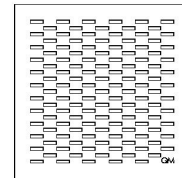
SKU 33.400.00 4x4" Bronze
 SKU 33.400.01 5 3/4"x5 3/4" Bronze



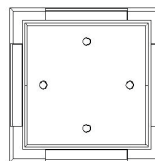
Delta Line



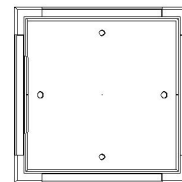
SKU 33.100.00 4x4" Satin
 SKU 33.100.00.P 4x4" Polished
 SKU 33.100.01 5 3/4"x5 3/4" Satin
 SKU 33.100.01.P 5 3/4"x5 3/4" Polished



Mist Line



SKU 33.500.00 4x4" Satin
 SKU 33.500.01 5 3/4"x5 3/4" Satin



Add to Kit

- Cast Iron Flange Drain
SKU 83.100.01
- PVC Flange Drain
SKU 83.100.00

