

PONY PUMP® SERIES - 1/10 HP

APPLICATIONS

Commercial, industrial, and home uses where liquid must be transferred

FEATURES

- Self-priming for instant delivery or dewatering up to 6 ft (1.8 m)
- Non-submersible stainless steel or plated brass pump body
- Rugged metallic handle for easy portability
- Dual threaded intake and discharge with both 3/4" male garden hose thread and 3/8" FNPT
- Model 360K includes pump, hose, strainer, and suction adapter
- Separate kit options available
- Includes 2 extra impellers and gasket
- Model 365 and 365S include 6 ft (1.8 m) lead wires with battery alligator clips
- Models 360 and 365 have a nitrile shaft seal
- Model 370 has a fluoroelastomer shaft seal for improved temperature and abrasion resistance



SERIES SPECIFICATIONS

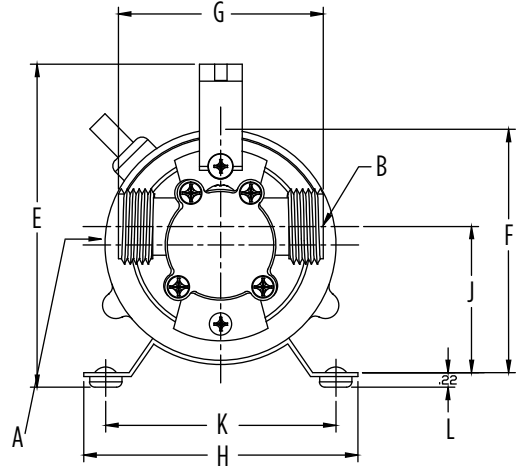
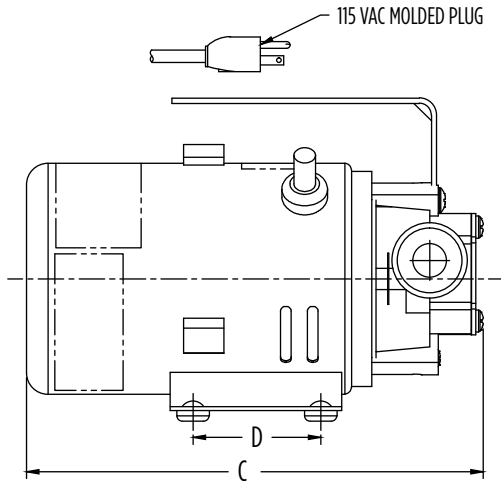
Volts	Hz	Amps		Watts	Performance (GPH @ Height in Feet)				Shut-Off (ft)	PSI
		FLA	Start		1'	5'	10'	20'		
115	60	1.6	2.4	91	360	330	300	250	25'	10.8
12 VDC	-	7	14	84	300	270	240	202	25'	10.8

Item No.	Model	HP	Volts	Material	Operation	Cord	Weight
555112	360	1/10	115	Plated Brass	Self-Priming	6' 1.8 m	3.4 lbs 1.54 Kg
555110	360S	1/10	115	Stainless Steel	Self-Priming	6' 1.8 m	3.4 lbs 1.54 Kg
555113	370	1/10	115	Plated Brass	Self-Priming	6' 1.8 m	4.7 lbs 2.12 Kg
555602	365	1/10	12 VDC	Plated Brass	Self-Priming	6' Leads w/clips 1.8 m	4.7 lbs 2.12 Kg
555606	365K	1/10	12VDC	Plated Brass	Self-Priming	6' Leads w/clips 1.8 m	7.0 lbs 3.2 Kg
555203	365S	1/10	12 VDC	Stainless Steel	Self-Priming	6' Leads w/clips 1.8 m	4.7 lbs 2.12 Kg
555111	360K	1/10	115	Plated Brass	Self-Priming	6' 1.8 m	8.0 lbs 3.6 Kg

UTILITY PUMPS

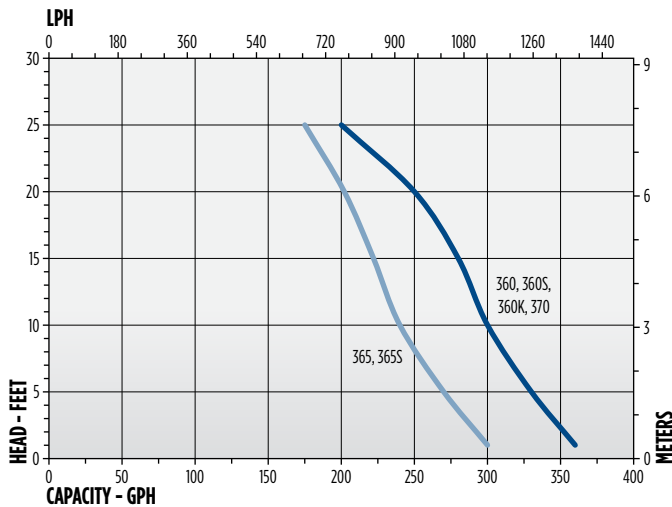
PONY PUMP® SERIES - 1/10 HP

ENGINEERING DATA



Model	A	B	C	D	E	F	G	H	J	K	L
115 V	3/4" GHT 1.91 cm	3/8" NPT 9.5 mm	6.73" 17.09 cm	1.87" 4.75 cm	4.68" 11.89 cm	3.90" 9.91 cm	3.00" 7.62 cm	4.25" 10.80 cm	2.26" 5.74 cm	3.37" 8.56 cm	0.22" 5.6 mm
12 VDC	3/4" GHT 1.91 cm	3/8" NPT 9.5 mm	5.93" 15.06 cm	1.87" 4.75 cm	4.18" 10.62 cm	3.13" 7.95 cm	3.00" 7.62 cm	3.37" 8.56 cm	1.82" 4.62 cm	3.37" 8.56 cm	0.22" 5.6 mm

PERFORMANCE DATA



OPTIONAL KITS

Item No.	Model	Includes	Kit Used On
555702	HRK-360S	(2) Each - Buna Impeller with SST Insert, Buna Cover Gaskets (1) Each - SST Cam, SST Cam Screws, SST Volute Cover, Cam Gasket (4) Each - Volute Cover Screws	All Models
555706	IRK-360	(2) Each - Buna Impellers with Brass Insert, Buna Cover Gaskets	555111, 555112, 555602
555710	HW-360	(1) Each - 10 ft Garden Hose, SST Spring Strainer, Suction Adapter	All Models
555713	IRK-360S	(2) Each - Buna Impellers with SST Insert, Buna Cover Gaskets	555110, 555203
555714	ISRK-360S	(2) Each - Buna Impellers with SST Insert, Buna Cover Gaskets (1) Each - Slinger, Viton U-Cup Seal, Felt Washer, Retainer Ring	All Models
555705	WB-360	Brush Kit: (2) Each - White Caps, Brushes, Covers with Springs	555502, 555103, 555507, 555122