



SPLIT-TYPE AIR CONDITIONERS

INDOOR UNIT

Revision A:

- Parts numbers of ELECTRONIC CONTROL P.C. BOARD have been changed.
- Some descriptions have been modified.

OBB752 is void.

No. OBB752
REVISED EDITION-A

PARTS CATALOG

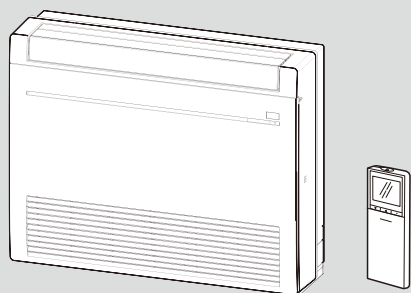
Models

MFZ-KJ09NA - U1

MFZ-KJ12NA - U1

MFZ-KJ15NA - U1

MFZ-KJ18NA - U1



CONTENTS

1. SERVICE PARTS LIST 2
2. OPTIONAL PARTS 6

SERVICE MANUAL (OBH752)

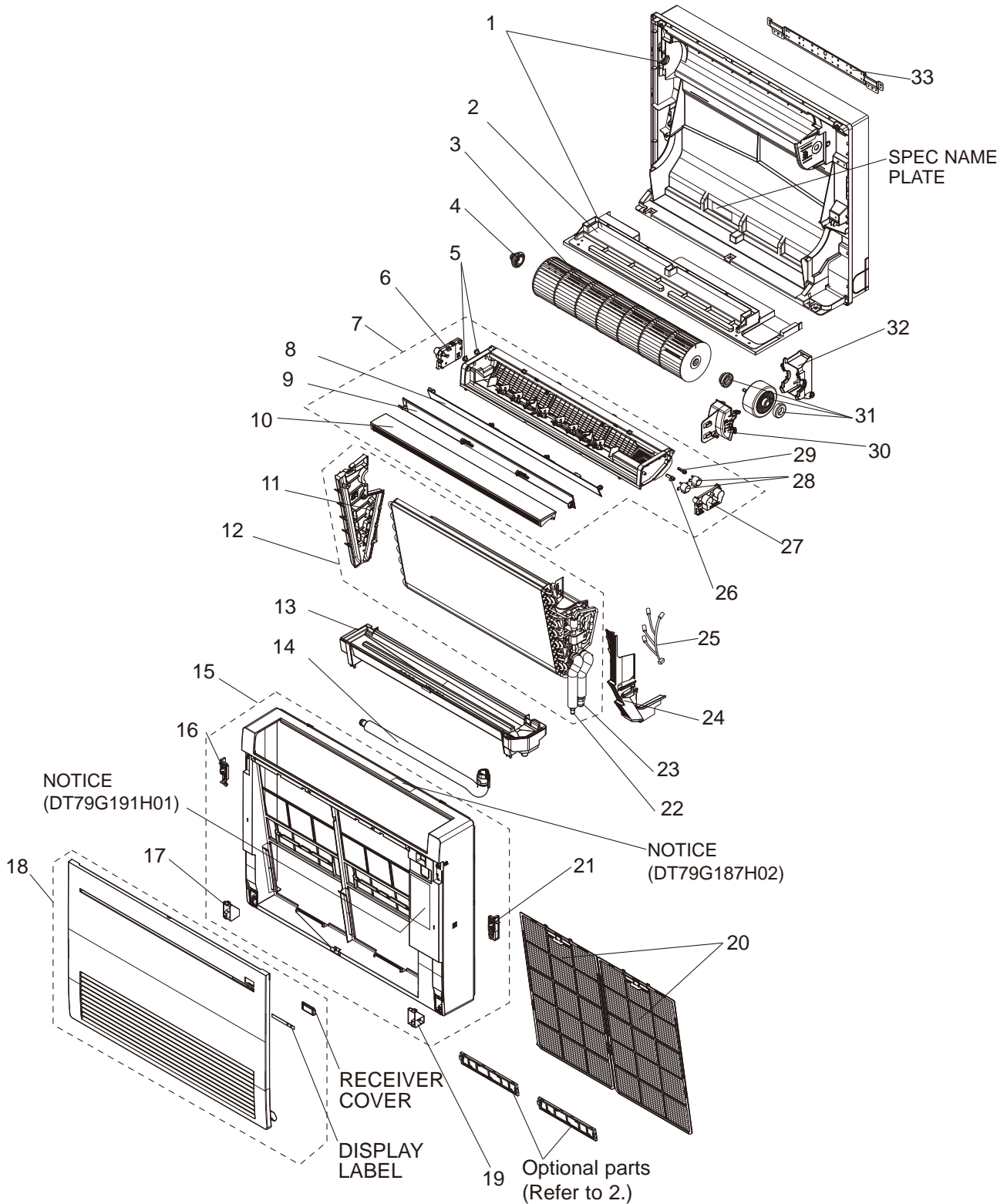
Revision A:

- Parts numbers of ELECTRONIC CONTROL P.C. BOARD have been changed.
- Some descriptions have been modified.

1 SERVICE PARTS LIST

MFZ-KJ09NA MFZ-KJ12NA MFZ-KJ15NA MFZ-KJ18NA

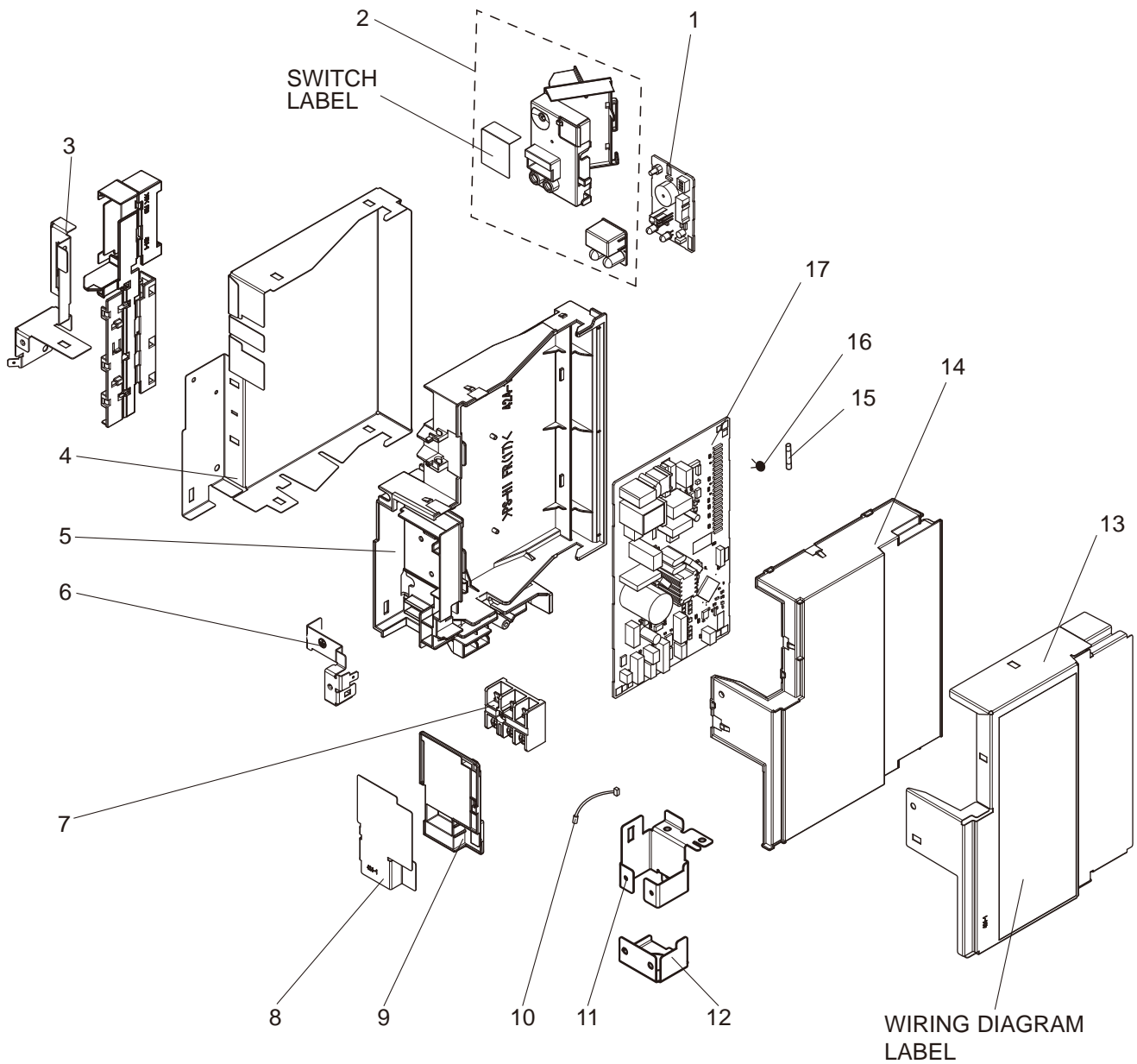
1-1. INDOOR UNIT STRUCTURAL PARTS, HEAT EXCHANGER AND FUNCTIONAL PARTS



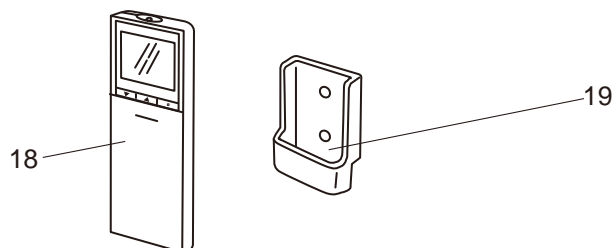
1-1. INDOOR UNIT STRUCTURAL PARTS, HEAT EXCHANGER AND FUNCTIONAL PARTS

No.	Part No.	Part name	Symbol in Wiring Diagram	Q'ty/unit				Remarks
				MFZ-KJ				
				09NA-	12NA-	15NA-	18NA-	
1	M21 EAM 234	BOX ASSEMBLY		1	1	1	1	Includes base without spec name plate
2	—	BASE		1	1	1	1	SQ25A544G03
3	M21 EAA 302	LINE FLOW FAN ASSEMBLY		1	1	1	1	
4	M21 EA0 509	BEARING ASSEMBLY		1	1	1	1	
5	M21 EA5 071	VANE SLEEVE		2	2	2	2	
6	M21 EA4 306	MULTI-FLOW VANE MOTOR UNIT	MV3	1	1	1	1	
7	M21 EAY 235	NOZZLE ASSEMBLY		1	1	1	1	
8	M21 EAA 040	HORIZONTAL VANE (BACK)		1	1	1	1	
9	M21 EA9 040	HORIZONTAL VANE (FRONT)		1	1	1	1	
10	M21 EA8 040	MULTI-FLOW VANE		1	1	1	1	
11	—	HAIRPIN HOLDER ASSEMBLY		1	1	1	1	DQ00T279G04
12	M21 EGK 620	INDOOR HEAT EXCHANGER		1	1			
	M21 EGL 620	INDOOR HEAT EXCHANGER				1	1	
13	M21 EA5 700	DRAIN PAN ASSEMBLY		1	1	1	1	
14	M21 7K1 703	DRAIN HOSE ASSEMBLY		1	1	1	1	
15	M21 EBC 000	PANEL ASSEMBLY		1	1	1	1	Includes notice
16	M21 EA0 099	HOOK (LEFT) ASSEMBLY		1	1	1	1	
17	M21 EA8 039	ARM HOLDER (LEFT)		1	1	1	1	
18	M21 EBR 010	FRONT PANEL		1	1	1	1	Includes receiver cover and display label
19	M21 EA9 039	ARM HOLDER (RIGHT)		1	1	1	1	
20	M21 EB0 100	NANO PLATINUM FILTER		2	2	2	2	
21	M21 EA1 099	HOOK (RIGHT) ASSEMBLY		1	1	1	1	
22	M21 L3V 664	UNION (LIQ) (φ6.35)		1	1	1	1	φ1/4 (φ6.35)
23	M21 L3V 663	UNION (GAS) (φ9.52)		1	1			φ3/8 (φ9.52)
	M21 L5V 663	UNION (GAS)(φ12.7)				1	1	φ1/2 (φ12.7)
24	—	WATER COVER		1	1	1	1	DQ00T288G03
25	M21 EA9 305	INDOOR COIL THERMISTOR	RT12,RT13, RT14,RT15	1	1	1	1	
26	M21 EA5 049	VANE MOTOR SHAFT (FRONT)		1	1	1	1	
27	M21 EA1 506	VANE MOTOR SUPPORT		1	1	1	1	
28	M21 EA5 306	VANE MOTOR	MV1, MV2	2	2	2	2	
29	M21 EA6 049	VANE MOTOR SHAFT (BACK)		1	1	1	1	
30	M21 EA3 023	MOTOR BAND		1	1	1	1	
31	M21 EAL 300	INDOOR FAN MOTOR ASSEMBLY	MF	1	1	1		RC0J30- □ □
	M21 EAM 300	INDOOR FAN MOTOR ASSEMBLY	MF				1	RC0J40- □ □
32	M21 EA3 791	MOTOR BED		1	1	1	1	
33	T2W L3V 233	BACK PLATE		1	1	1	1	

MFZ-KJ09NA MFZ-KJ12NA MFZ-KJ15NA MFZ-KJ18NA
1-2. INDOOR UNIT ELECTRICAL PARTS



1-3. ACCESSORY AND REMOTE CONTROLLER



1-2. INDOOR UNIT ELECTRICAL PARTS

No.	Part No.	Part name	Symbol in Wiring Diagram	Q'ty/unit				Remarks
				MFZ-KJ				
				09NA-	12NA-	15NA-	18NA-	
				U1	U1	U1	U1	
1	T2W EA7 328	DISPLAY RECEIVER P.C. BOARD		1	1	1	1	
2	M21 EAH 012	SWITCH HOLDER SET		1	1	1	1	Includes switch label
3	—	TB COVER		1	1	1	1	DY02B654G01
4	—	PB COVER LEFT		1	1	1	1	DY02A632G04
5	—	PB BOX		1	1	1	1	DY25A631G06
6	—	EARTH PLATE		1	1	1	1	DY02B655G03
7	M21 EA3 376	TERMINAL BLOCK	TB	1	1	1	1	
8	—	VA CLAMP COVER		1	1	1	1	DK02B679G02
9	—	VA CLAMP		1	1	1	1	DK25B680G03
10	M21 EAA 305	ROOM TEMPERATURE THERMISTOR	RT11	1	1	1	1	
11	—	CONDUIT PLATE		1	1	1	1	DY00A761G06
12	—	CONDUIT BOX		1	1	1	1	DY00C468G01
13	—	PB COVER RIGHT		1	1	1	1	DK02A696G01 Without wiring diagram label
14	—	PB COVER		1	1	1	1	DK25A695G01
15	T2W L3V 382	FUSE	F11	1	1	1	1	T3.15AL250V
16	M21 9K1 313	VARISTOR	NR11	1	1	1	1	
17	T2W F7F 450	ELECTRONIC CONTROL P.C. BOARD		1				
	T2W F7G 450				1			
	T2W F7H 450					1		
	T2W F7J 450						1	

1-3. ACCESSORY AND REMOTE CONTROLLER

No.	Part No.	Part name	Symbol in Wiring Diagram	Q'ty/unit				Remarks
				MFZ-KJ				
				09NA-	12NA-	15NA-	18NA-	
				U1	U1	U1	U1	
18	T2W EDW 426	REMOTE CONTROLLER		1	1	1	1	SG162
19	T2W EA0 083	REMOTE CONTROLLER HOLDER		1	1	1	1	

AIR CLEANING FILTER [ANTI-ALLERGY ENZYME FILTER]**Every 3 months:**

- Remove dirt by a vacuum cleaner.

When dirt cannot be removed by vacuum cleaning:

- Soak the filter and its frame in lukewarm water before rinsing it.
(Diluted mild detergents can be used when dirt cannot be removed.)
- After washing, dry it well in shade.

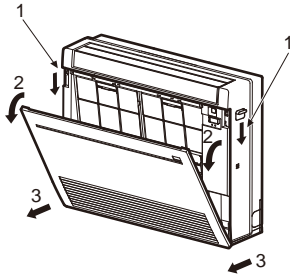
Every year:

- Replace it with a new air cleaning filter for best performance.

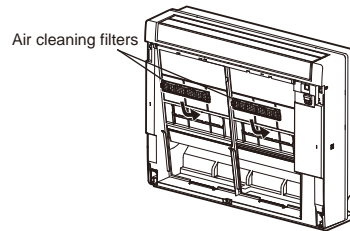
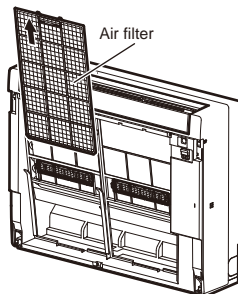
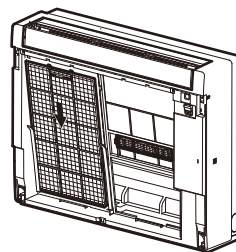
Model	Part No.
MFZ-KJ09NA- U1	MAC-408FT-E
MFZ-KJ12NA- U1	
MFZ-KJ15NA- U1	
MFZ-KJ18NA- U1	

Replacement of the air cleaning filter**(1) Remove the front panel.**

1. Push down the tab on the both sides of the unit to open the front panel.
2. Pull the front panel toward you to remove it.
3. Open the front panel completely and remove it.

**(3) Replace the air cleaning filter.**

Fix the filter with the tabs securely.

**(2) Remove the air filter.****(4) Install the air filter.****(5) Securely close the front panel.**

Install the front panel by the removal procedure in reverse. Refer to (1) 1-3.

MITSUBISHI ELECTRIC CORPORATION

HEAD OFFICE: TOKYO BUILDING, 2-7-3, MARUNOUCHI, CHIYODA-KU, TOKYO 100-8310, JAPAN

© Copyright 2016 MITSUBISHI ELECTRIC CORPORATION

Issued: Jul. 2019. No. OBB752 REVISED EDITION-A

Published: Feb. 2016. No. OBB752

Made in Japan

Specifications are subject to change without notice.