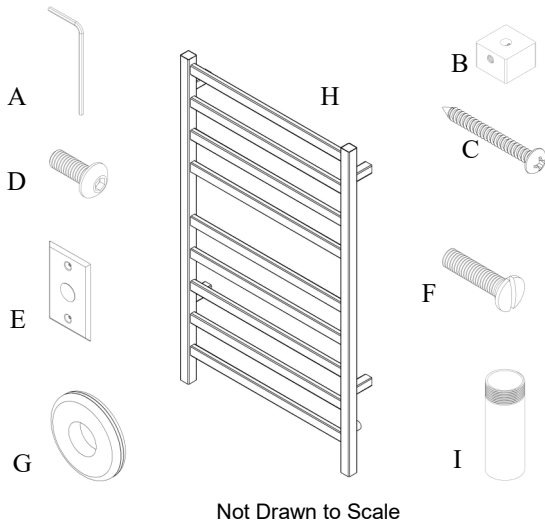




Charged with Euphoria

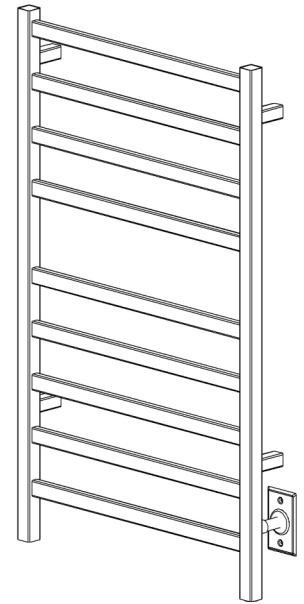
# Kontour Square Towel Warmer Installation Guide

Code: K6033W / K6034W  
24" x 40" Hardwired



Not Drawn to Scale

Parts Included	QTY	Packed
A - Allen Key	1	
B - Bracket Block	4	
C - Bracket Mounting Screw	4	
D - Bracket Set Screw	4	
E - Electrical Plate	1	
F - Plate Mounting Screws	2	
G - Plate Rubber Grommet	1	
H - Towel Warmer Frame	1	
I - Electrical Hardwire Tube	1	
<b>Quality Assurance Check</b>	<b>Initials</b>	

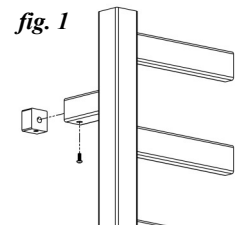


## 1 Rough-in Requirements (see figure 3)

1. 110V Power only
2. The power feed should be located in a single gang electrical box as shown in figure 2.
3. Please ensure correct location of the electrical box, as this will govern your towel warmer location.
4. Wall studs or plywood backing is recommended in the wall at all bracket locations. See Fig 2 for bracket locations.

## 2 Installation Instructions (see figure 1)

1. Fix four bracket blocks (B) to the wall using screws (C) and in locations as shown on figure 2.
2. Hang and adjust the Towel Warmer using set screws (D) to lock the towel warmer into the bracket block (B). Ensure the Towel Warmer is firmly and safely fixed.



## 3 Hardwire Connection (see figure 4)

### TURN OFF POWER SUPPLY BEFORE PROCEEDING

Do not connect the Towel Warmer to the power supply until all instructions have been read and installation carried out in accord with them. Your towel warmer is 150W (110V) and conforms to CSA standards (File ref: 2422531). Please ensure the CSA label is visible.

1. Feed the electrical cord located at the bottom of the Towel Warmer first through the round tube and then through the cover plate.
2. Complete all electrical connections as shown in figure 3.
3. Screw tube into the towel warmer threaded collar.
4. Push cover plate onto tube and screw to electric box with the enclosed screws. Adjust where necessary.

**Warning: In case of damage or failure of the Towel Warmer the unit should be returned to the manufacturer or their distributor. The warranty of 2 years on the Towel Warmer is NOT VALID in case of improper use or installation. Product is designed for use within Canada and the United States only.**



*Charged with Euphoria*

## Specifications & Drawings

Model #	Description	Finish	Weight (lb)	Watts	Volts	WxH (mm)	WxH (Inches)	Metal Type
K6033W	Square Electric Hardwire	Chrome	13	150W	110V	610 x 1015	24 x 40	Stainless Steel
K6034W	Square Electric Hardwire	B/Nickel	13	150W	110V	610 x 1015	24 x 40	Stainless Steel

**Warranty:** 2 Years

**Care & Maintenance:** A periodic wash using warm water and a soft cloth will retain the high quality finish of your towel warmer for many years to come. ON NO ACCOUNT should any household bleaches, detergents, abrasive polishes, steel wool or other cleaning agents be used on this item.

