



# UA20

Parts List  
12-December-2017



*This parts list is current as of the above revision date.  
See <http://www.rheempartslists.net/92-42801-UA20.pdf> for the current revision.*

**Condensing Units**

# Table of Contents

Model Explanation .....	Page 3
<b>Parts Numbers</b>	
Panels .....	Page 4
Electrical-Fan Group .....	Page 5
Coil Parts .....	Page 6
Compressor Group .....	Page 7
<b>Drawings/Photographs</b>	
Exploded View .....	Page 8
Control Box .....	Page 9
Valve Mounting, Compressor .....	Page 10
Notes .....	Page 11

**MODEL NUMBER EXPLANATION**

<b>U</b>	<b>A</b>	<b>2</b>	<b>0</b>	<b>2</b>	<b>4</b>	<b>A</b>	<b>J</b>	<b>V</b>	<b>C</b>	<b>B</b>
1	2	3		4		5	6	7	8	9

- |  |   |
|--|---|
| <p>(1) <b>Brand</b><br/>R = Rheem<br/>U = Ruud</p> <p>(2) <b>Product Category</b><br/>A = Air Conditioner</p> <p>(3) <b>Seer</b><br/>20 = 20 SEER</p> <p>(4) <b>COOLING CAPACITY (BTU/HR)</b><br/>018 = 18,000<br/>024 = 24,000<br/>030 = 30,000<br/>036 = 36,000<br/>042 = 42,000<br/>048 = 48,000<br/>060 = 60,000</p> | <p>(5) <b>MAJOR SERIES</b><br/>A = First Design Series</p> <p>(6) <b>VOLTAGE</b><br/>J = 208-230/1/60<br/>C = 208-230/3/60<br/>D = 460/3/60<br/>Y = 575/3/60</p> <p>(7) <b>TYPE</b><br/>V = Inverter</p> <p>(8) <b>CONTROLS</b><br/>C = Communicating</p> <p>(9) <b>MINOR SERIES</b><br/>A = First Design Series<br/>B = Second Design Series (LPC/HPC)</p> |
|--|---|

**SERIAL NUMBER EXPLANATION**

<b>W</b>	<b>0</b>	<b>8</b>	<b>1</b>	<b>3</b>	<b>9</b>	<b>9</b>	<b>9</b>	<b>9</b>
(1)	(2)		(3)				(4)	

- (1) **PLANT CODE**  
W = West Nuevo Laredo
- (2) **WEEK OF PRODUCTION**
- (3) **YEAR OF PRODUCTION**
- (4) **PRODUCTION NUMBER**

**Note: For Compressor Identification Number, see Compressor Code on Rating Plate**

No.	Notes	MODEL COOLING CAPACITY VARIATION	UA20 24 AJVCB	UA20 36 AJVCB	UA20 48 AJVCB	UA20 60 AJVCB
<b>SHEET METAL PARTS, MISCELLANEOUS</b>						
1		Front Panel	AE-104456-28	AE-104456-28	AE-104456-49	AE-104456-49
2		Left Panel (Badge Panel)	AE-104456-42	AE-104456-42	AE-104456-58	AE-104456-58
		Badge	91-105392-02	91-105392-02	91-105392-02	91-105392-02
		Left Panel Louver Label	91-104695-02	91-104695-02	91-104696-02	91-104696-02
3		Back Panel	AE-104456-29	AE-104456-29	AE-104456-50	AE-104456-50
4		Right Panel	AE-104456-28	AE-104456-28	AE-104456-49	AE-104456-49
5		Base Pan	68-104457-02	68-104457-02	68-104457-03	68-104457-03
6		Control Box	10-105640-01	10-105640-01	10-105640-01	10-105640-01
7		Control Box Cover	AS-104462-02H	AS-104462-02H	AS-104462-02H	AS-104462-02H
8		Control Box Bracket	AS-104460-08H	AS-104460-08H	AS-104460-10H	AS-104460-10H
9		Service Door	AS-104525-01H	AS-104525-01H	AS-104525-01H	AS-104525-01H
10		Center Post (2)	AS-104459-09H	AS-104459-09H	AS-104459-13H	AS-104459-13H
11		Corner Post (2)	AS-104469-05H (2)	AS-104469-05H (2)	AS-104469-07H (2)	AS-104469-07H (2)
12		Corner Post (1)	AS-104469-05H (1)	AS-104469-05H (1)	AS-104469-07H (1)	AS-104469-07H (1)
13		Top Panel (Black)	AS-104458-02J	AS-104458-02J	AS-104458-03J	AS-104458-03J
14		Venturi	68-104464-06	68-104464-06	68-104464-07	68-104464-07
15		Grille	95-104620-02	95-104620-02	95-104620-04	95-104620-04
		Louver Label	91-104695-02	91-104695-02	91-104696-02	91-104696-02
		Center Cap - Blank (for Grille)	91-101123-00	91-101123-00	91-106416-00	91-106416-00
		Center Cap Label w/Center Cap	91-101123-26	91-101123-26	91-106416-26	91-106416-26
		Service Valve - Suction	See Coil Group			
		Service Valve - Liquid	See Coil Group			
		Touch-up Paint - Granite/Steel Gray (Aerosol)	PD523018	PD523018	PD523018	PD523018
		Touch-up Paint - Granite/Steel Gray (Paint Pens)	PD523019	PD523019	PD523019	PD523019
		Touch-up Paint - Ruud Black (Aerosol)	PD523201	PD523201	PD523201	PD523201
		Touch-up Paint - Ruud Black (Paint Pen)	PD523202	PD523202	PD523202	PD523202

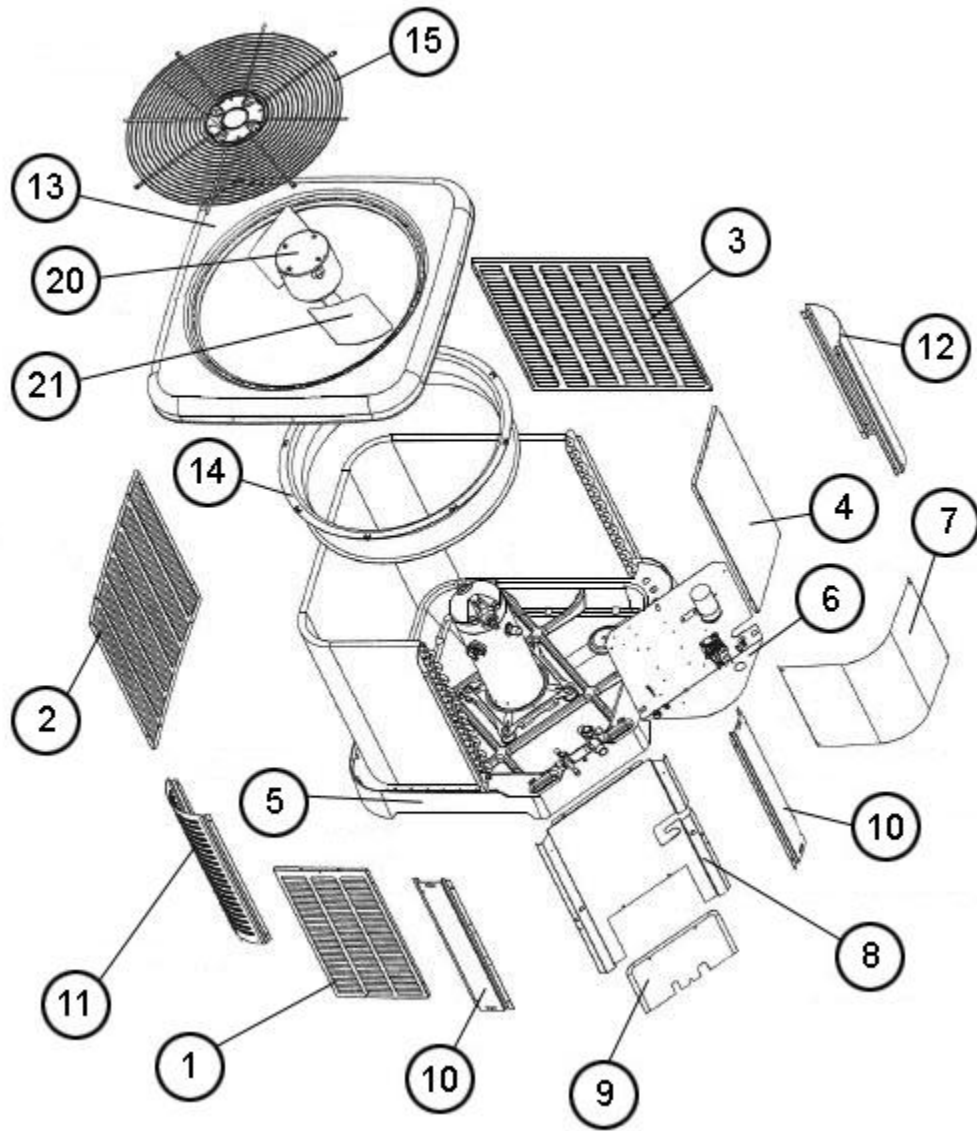
No.	Notes	MODEL COOLING CAPACITY VARIATION	UA20 24 AJVCB	UA20 36 AJVCB	UA20 48 AJVCB	UA20 60 AJVCB
<b>ELECTRICAL/FAN GROUP</b>						
20	Stk	Fan Motor	51-102870-05	51-102728-17	51-105035-01	51-105035-01
21	Stk	Fan Blade	70-102345-08	70-102345-08	70-102345-15	70-102345-15
22		Ground Lug	45-19000-05	45-19000-05	45-19000-05	45-19000-05
24a	Stk	Variable Speed Control Board - EcoNet	47-104848-01	47-104848-01	47-104848-01	47-104848-01
		Control - Identity EEPROM (before W5017)	47-102738-126	47-102738-127	47-102738-128	47-102738-129
		Control - Identity EEPROM (on or after W5017)	47-102738-159	47-102738-160	47-102738-161	47-102738-162
24b	Stk	EMI Filter Board	47-105222-01	47-105222-01	47-105222-01	47-105222-01
24c	Stk	Power Inverter Board	47-105221-02	47-105221-02	47-105221-03	47-105221-04
24d		Choke	46-105466-02	46-105466-02	46-105466-03	46-105466-03
24e		Terminal Block	45-23222-02	45-23222-02	45-23222-02	45-23222-02
24f		Locking Wing Push Mount Tie	64-25340-02	64-25340-02	64-25340-02	64-25340-02
24g		Universal Bushing	45-103252-02	45-103252-02	45-103252-02	45-103252-02
27	Stk	Low Pressure Transducer	47-103454-05	47-103454-05	47-103454-05	47-103454-05
27a		Valve Body - Low Pressure Control	61-18542-01	61-18542-01	61-18542-01	61-18542-01
28	Stk	High Pressure Control	47-103669-04	47-103669-04	47-103669-04	47-103669-04
		Discharge Sensor	47-102710-18	47-102710-18	47-102710-18	47-102710-18
		Sensor/Clip Assembly (Compressor Sump Sensor)	47-102710-12	47-102710-12	47-102710-22	47-102710-22
		Sensor/Clip Assembly - 2 Sensors (Coil Sensor)	47-102710-11	47-102710-11	47-102710-23	47-102710-23
		Ambient Sensor	47-102709-06	47-102709-06	47-102709-06	47-102709-06
		Wire Harness - Control Board	45-104991-01	45-104991-01	45-104991-01	45-104991-01
		Wire Harness - Filter to Inverter	45-104991-03	45-104991-03	45-104991-03	45-104991-03
		Wire Harness - Terminal Block to Filter	45-104991-04	45-104991-04	45-104991-04	45-104991-04

No.	Notes	MODEL COOLING CAPACITY VARIATION	UA20 24 AJVCB	UA20 36 AJVCB
<b>COIL GROUP</b>				
30	Stk	Condenser Coil	AS-105647-03	AS-105655-03
31		Service Valve - Suction	61-104914-03	61-104914-03
32		Service Valve - Liquid	61-104914-05	61-104914-05
33a		Valve Core	61-18551-01	61-18551-01
33b		Valve Cap	83-100635-01	83-100635-01
27	Stk	Low Pressure Control	See Electrical Group	
28	Stk	High Pressure Control	See Electrical Group	
	Stk	Filter Drier	83-22755-06	83-22755-06

No.	Notes	MODEL COOLING CAPACITY VARIATION	UA20 48 AJVCB	UA20 60 AJVCB
<b>COIL GROUP</b>				
30	Stk	Condenser Coil	AS-105662-03	AS-105822-01
31		Service Valve - Suction	61-104914-04	61-104914-04
32		Service Valve - Liquid	61-104914-05	61-104914-05
33a		Valve Core	61-18551-01	61-18551-01
33b		Valve Cap	83-100635-01	83-100635-01
27	Stk	Low Pressure Control	See Electrical Group	
28	Stk	High Pressure Control	See Electrical Group	
	Stk	Filter Drier	83-22755-06	83-22755-06

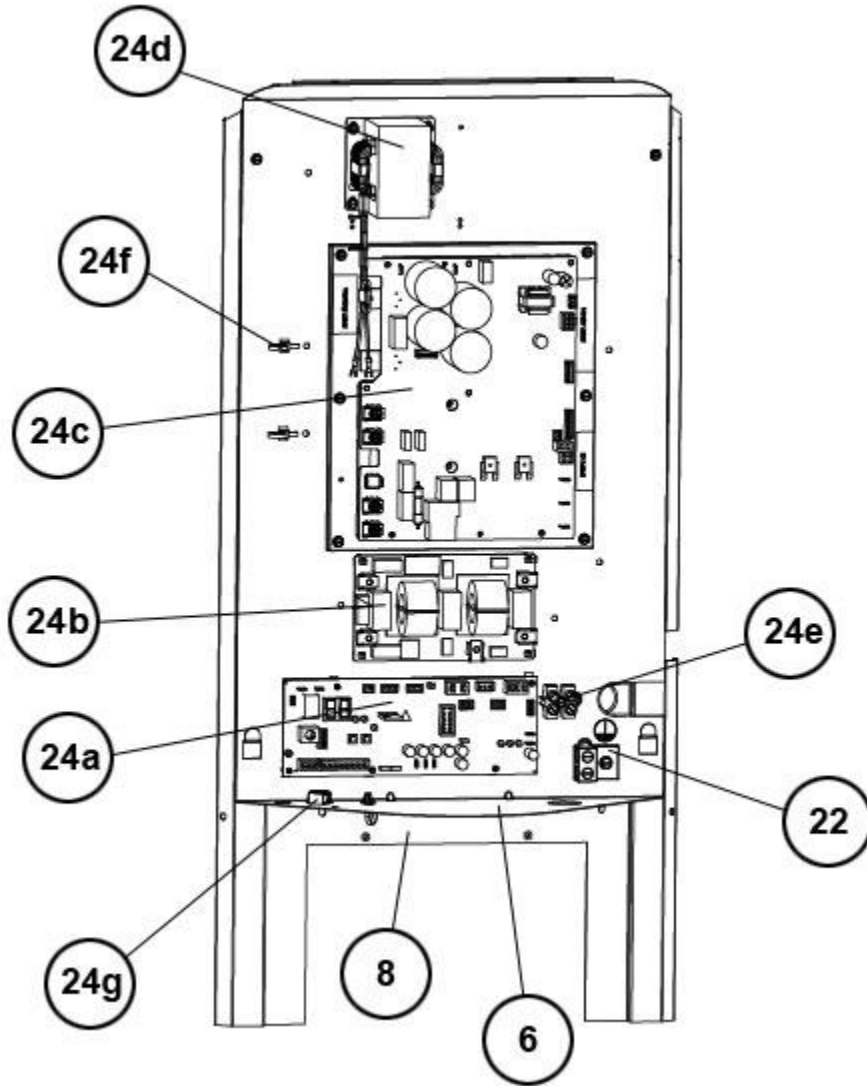
No.	Notes	MODEL COOLING CAPACITY VARIATION	UA20 24 AJVCB	UA20 36 AJVCB
<b>COMPRESSOR GROUP</b>				
		<b>Compressor ID:</b>	<b>9104</b>	<b>9105</b>
40	Stk	Compressor	55-102045-105S	55-102045-105S
		Compressor Grommet (4)	56-18518-19	56-18518-19
		Compressor Bolt (4)	63-20072-07	63-20072-07
		Compressor Plug Harness	45-100834-13	45-100834-13
		Filter Drier	See Coil Group	
		Sound Enclosure - Top	68-23427-18	68-23427-18

No.	Notes	MODEL COOLING CAPACITY VARIATION	UA20 48 AJVCB	UA20 60 AJVCB
<b>COMPRESSOR GROUP</b>				
		<b>Compressor ID:</b>	<b>9106</b>	<b>9107</b>
40	Stk	Compressor	55-102045-106S	55-102045-150
		Compressor Grommet (4)	56-18518-19	56-18518-19
		Compressor Bolt (4)	63-20072-07	63-20072-07
		Compressor Plug Harness	45-100834-12	45-100834-12
		Filter Drier	See Coil Group	
		Sound Enclosure - Top	68-23427-18	68-23427-18

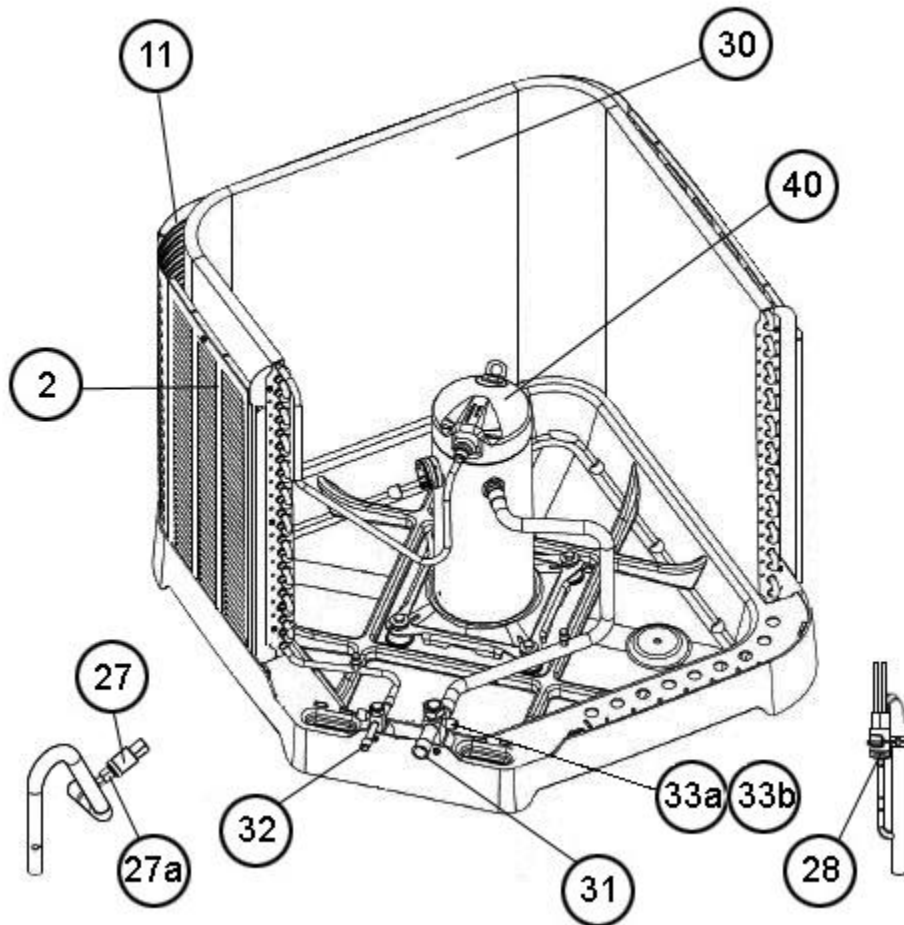


Exploded View





Control Box



Valve Mounting, Compressor

# NOTES

Stk It is recommended that stock be maintained for this part.  
N/A Not Applicable