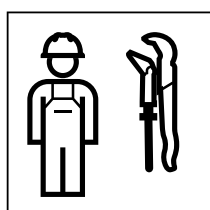


Installation Manual

Montageanleitung
Instructions de montage
Istruzioni per il montaggio





Product Data

Product Specifications

Geberit Model No. / Flush volume:

- 111.798.00.1 / 1.6/0.8 gpf (6.0/3.0 lpf)
- 111.597.00.1 / 1.28/0.8 gpf (4.8/3.0 lpf)

- For installing 2-hole stud mounted wall-hung washdown water closet fixtures with rear water inlet and waste outlet
- For installation within or in front of drywall panels
- For installation in front of solid walls
- Fits within minimum 3 1/2" (90 mm) framing wall or plumbing chase
- Adjustable for fixture seat heights from 15" to 19" (381 to 483 mm)
- For flush actuator plates Sigma



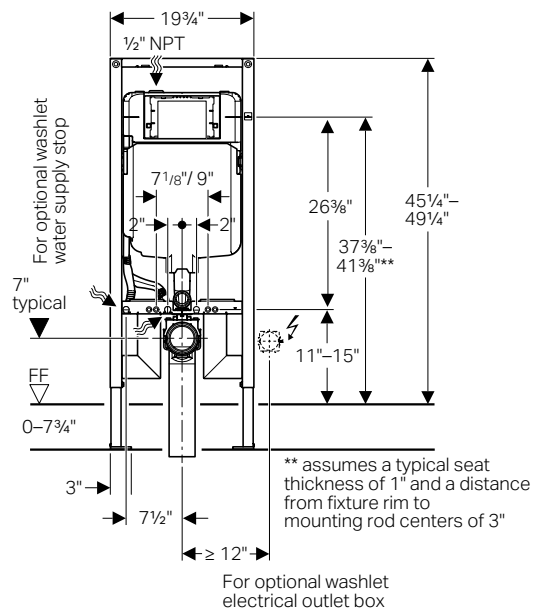
Features

- Anti-siphon fill valve
- Impact resistant high density polyethylene (HDPE) tank, insulated to prevent condensation
- 16-gauge, powder-coated, structural steel tubing rated to 880 lbs. (400 kg) without damage to finished wall or carrier unit
- Includes installation and rough-in materials

Warranty

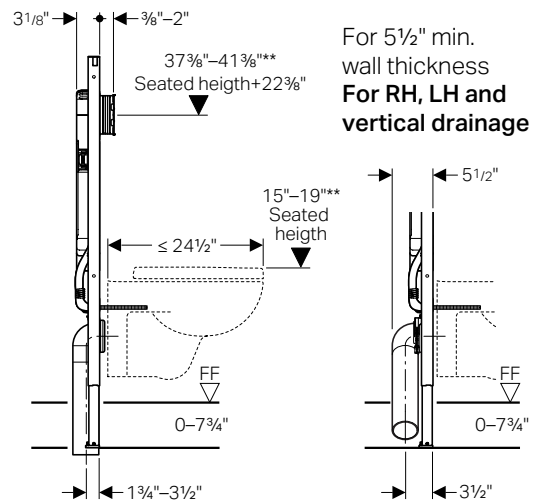
Limited lifetime warranty on tank and carrier.
 10 year warranty on fill valve and flush valve.
 One year warranty on actuator plate.

Installation Dimensions



For 3 1/2" max.
 wall thickness

Vertical drainage only



Material Determination

Recommended material for wall surface construction:

- Gypsum / green board
- Cement board
- Tile backer board
- Ceramic tile surface

Minimum wall material thickness 3/8" (10 mm)



Installation

Installation Requirements

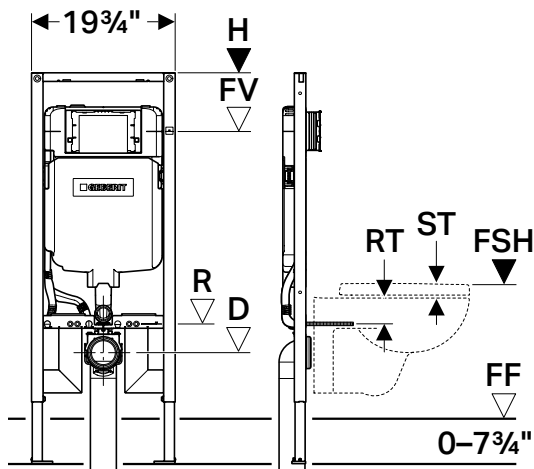
To install tank and carrier, a 2 x 4" wood frame or metal frame construction is required. Studs must be placed 19 3/4" apart (clearance) where carrier will be positioned inside the wall.

Prepare

- FF: Finished Floor Height
- FSH: Finished Seated Height
- ST: Seat thickness, based on seat model
- RT: Distance from fixture rim to mounting centers, based on ceramic model
- H: Frame Height, subject to conditions below:
 $H = FSH - RT - ST + 34\frac{1}{4}"$ (870)

These values are not needed at roughing in, but may be useful as alternate references:

- FV: Flush Valve Height (see below)
- R: Rod Height, based on ceramic model and FSH (see below)
- D: Drain outlet, based on ceramic model and FSH (see below)



For convenience, values for a "typical" situation are included in the following chart:

FOR REFERENCE

Finished Seat Height (FSH)	Frame Height (H)	Flush Valve Height (FV)	Rod Height (R)	Drain Outlet Height (D)
15	45 1/4	37 3/8	11	7
16	46 1/4	38 3/8	12	8
17	47 1/4	39 3/8	13	9
18	48 1/4	40 3/8	14	10
19	49 1/4	41 3/8	15	11

** assumes a typical seat thickness of 1" and a distance from fixture rim to mounting rod centers of 3". Always refer to the manufacturer specification sheet for the latest information!

These dimensions are used for later, after the frame is installed:

RC: Rod Center-to-Center Distance, based on ceramic model

Other calculations (for reference only)

$$FV = FSH - RT - ST + 26\frac{3}{8}"$$
 (670)

$$R = FSH - RT - ST$$

$$D = FSH - RT - ST - 4"$$
 (100)

or

$$FV = R + 26\frac{3}{8}"$$
 (670)

$$H = R + 34\frac{1}{4}"$$
 (870)

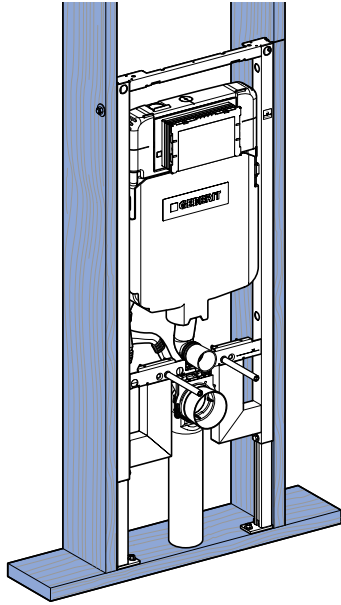
$$D = R - 4"$$
 (100)



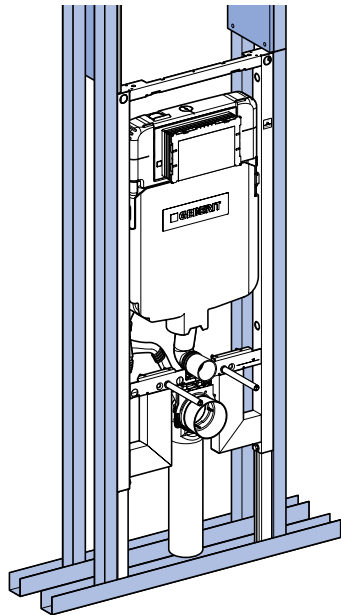
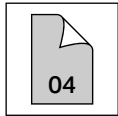
All dimensions Above Finished Floor (AFF)

1

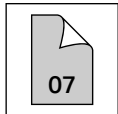
Installation Overview



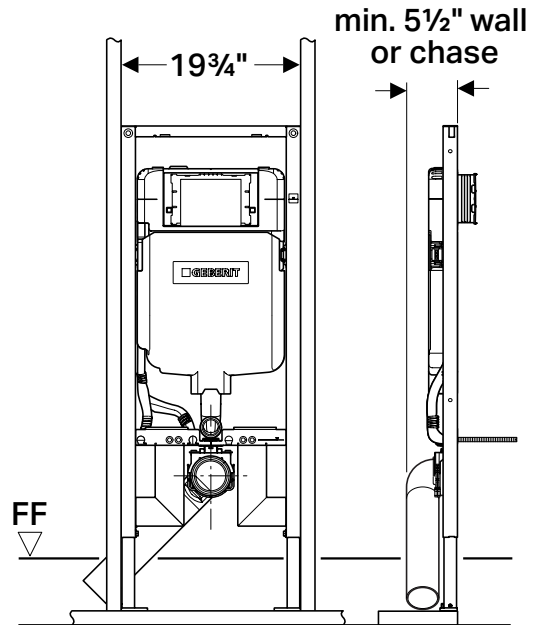
A



B

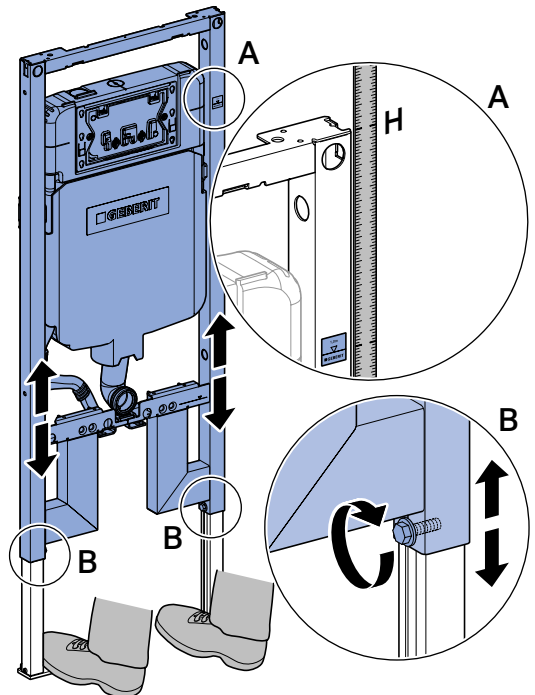
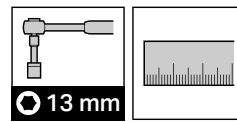


A

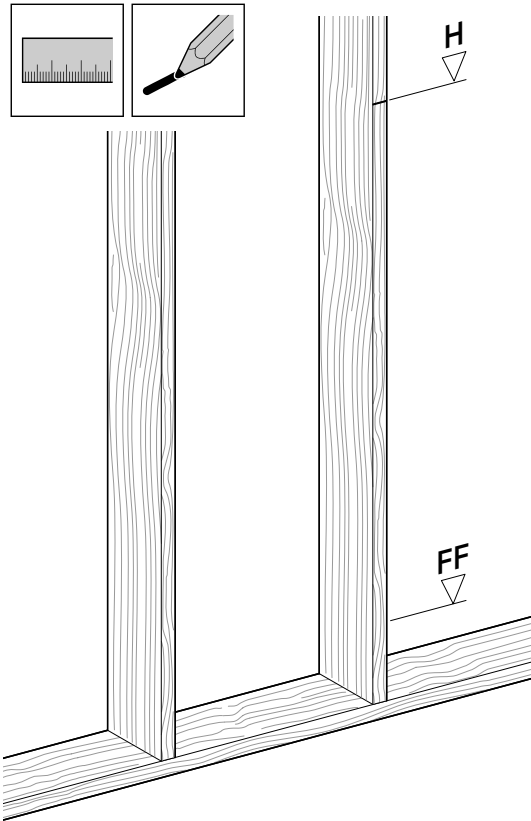


i RH, LH or vertical drainage runs allowed with 5 1/2" minimum wall thickness.
Vertical drainage run only for 3 1/2" maximum walls.

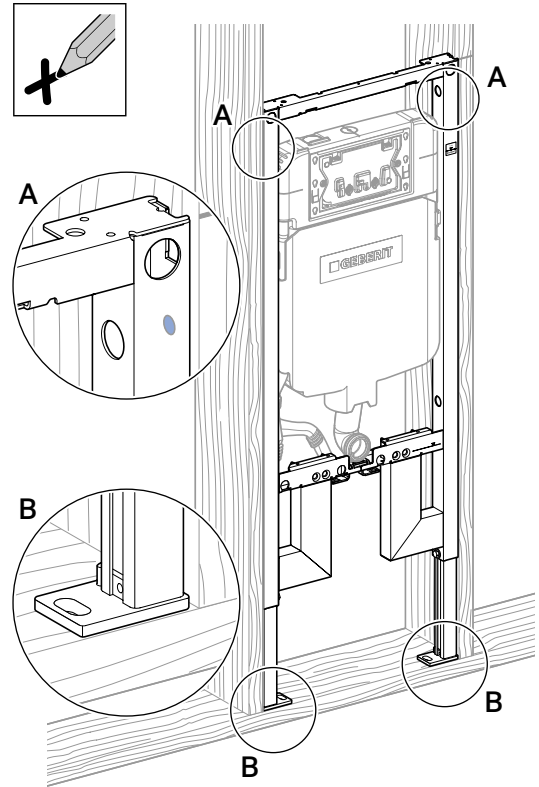
1



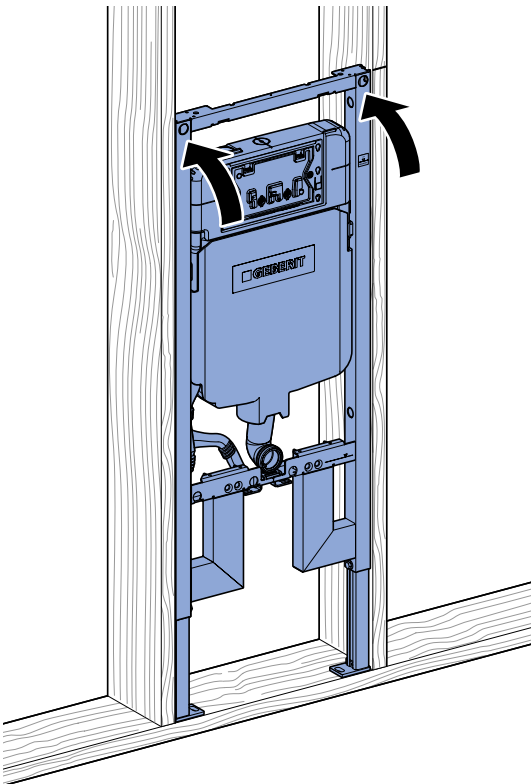
2



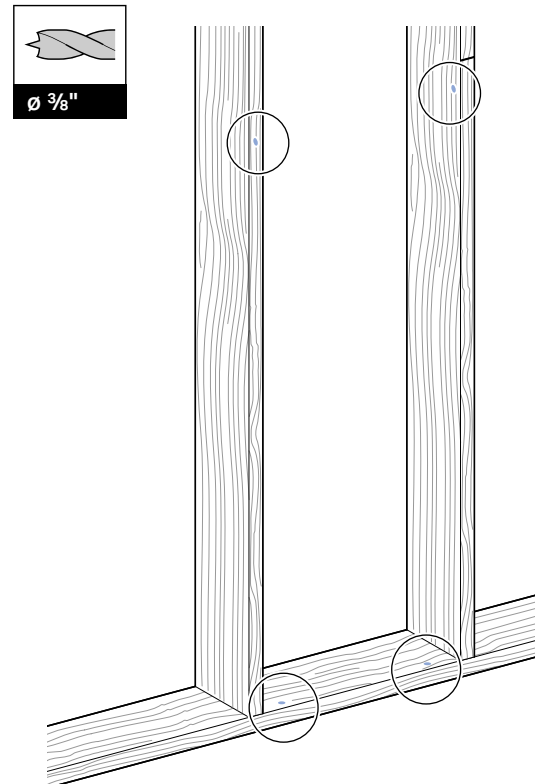
4



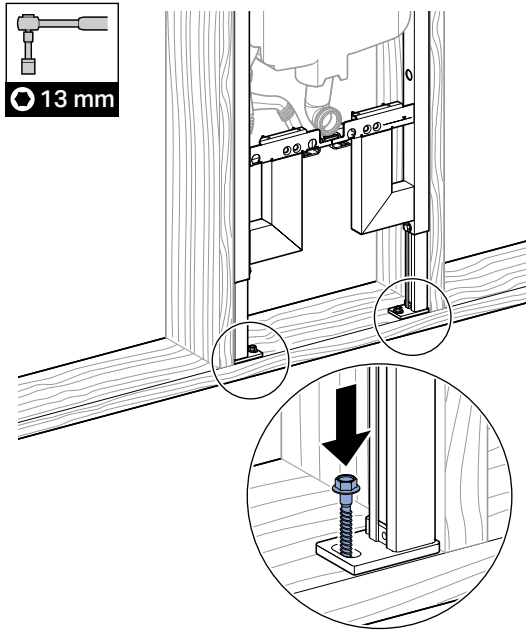
3



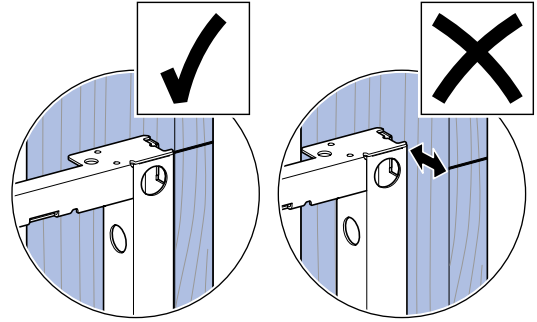
5



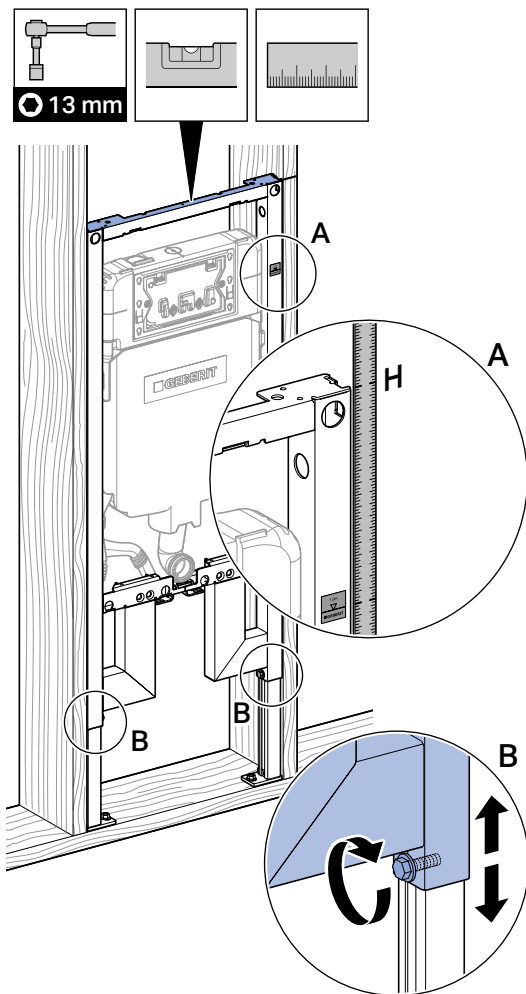
6



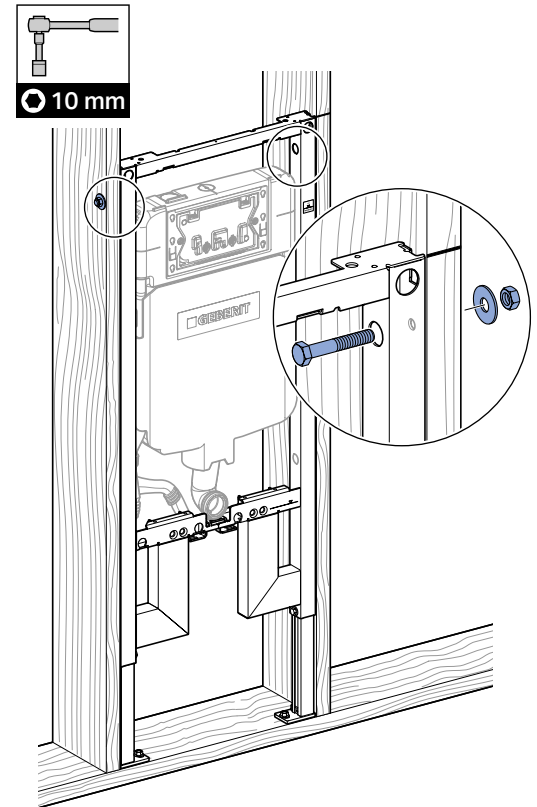
8



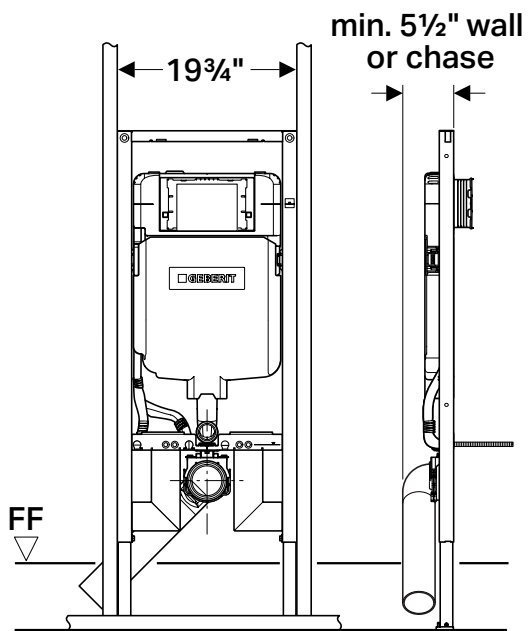
7



9

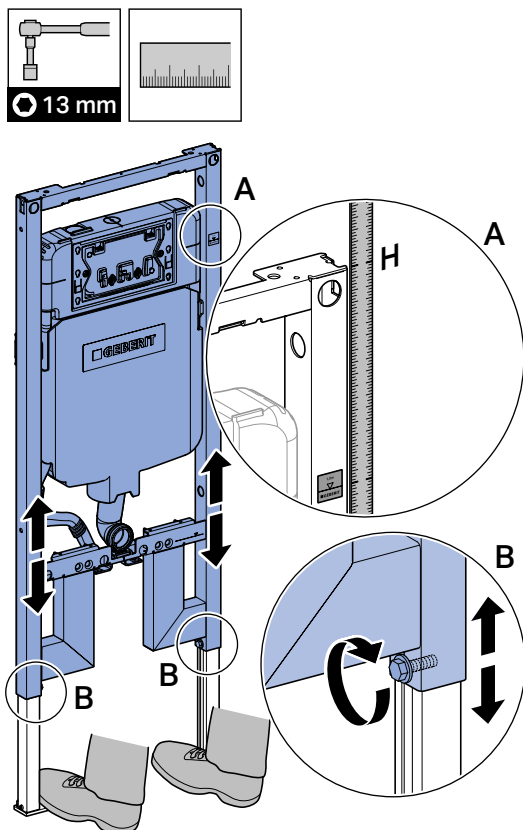


B

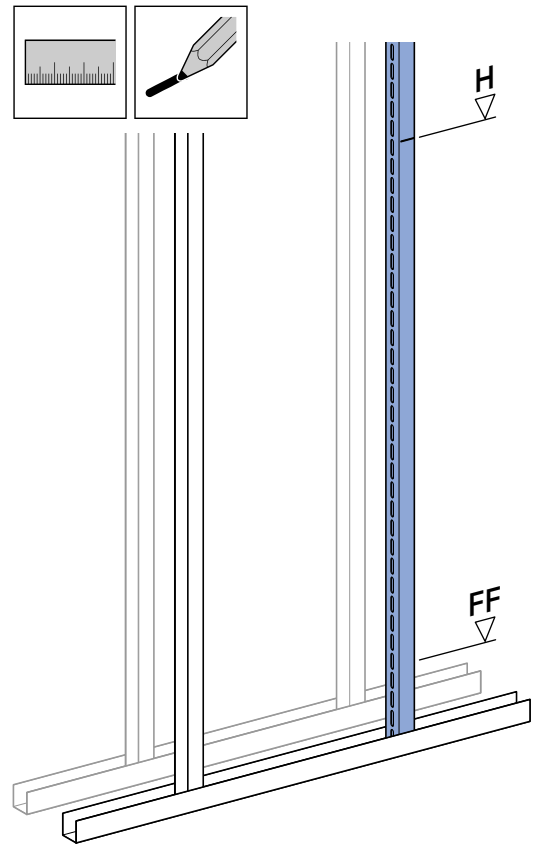


i RH, LH or vertical drainage runs allowed with 5 1/2" minimum wall thickness. Vertical drainage run only for 3 1/2" maximum walls.

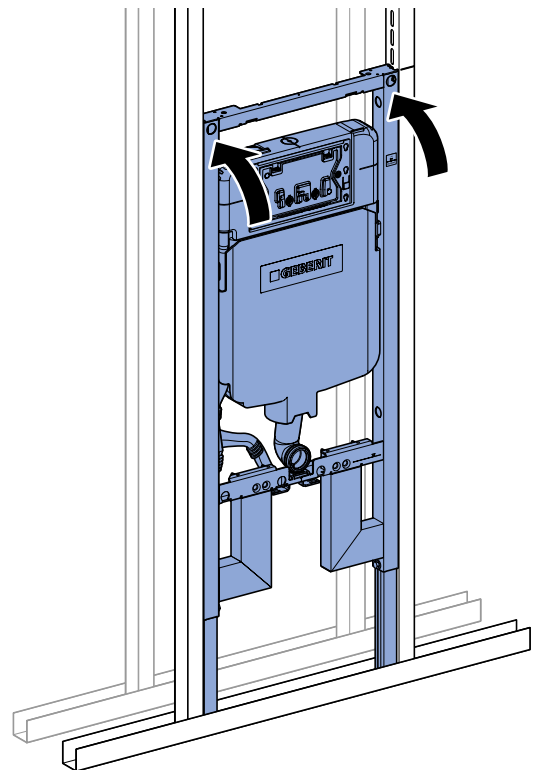
1



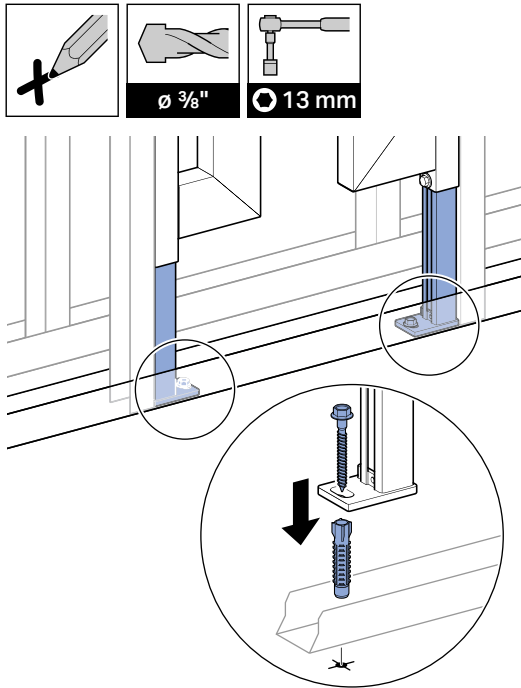
2



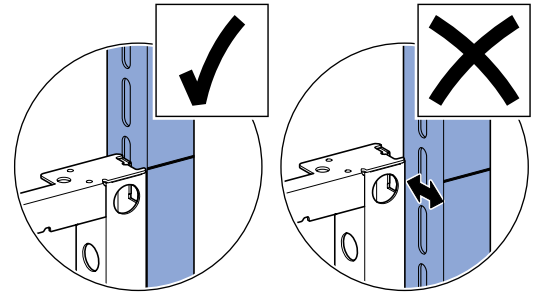
3



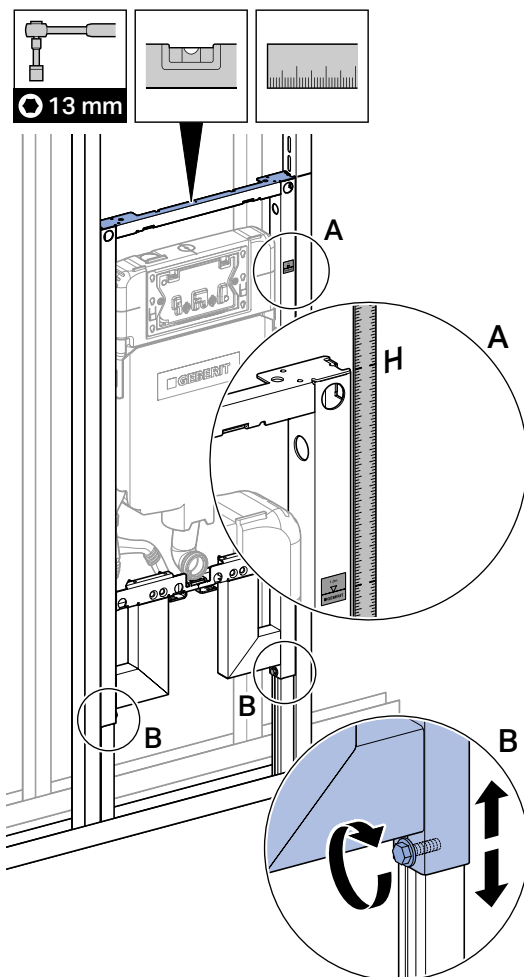
4



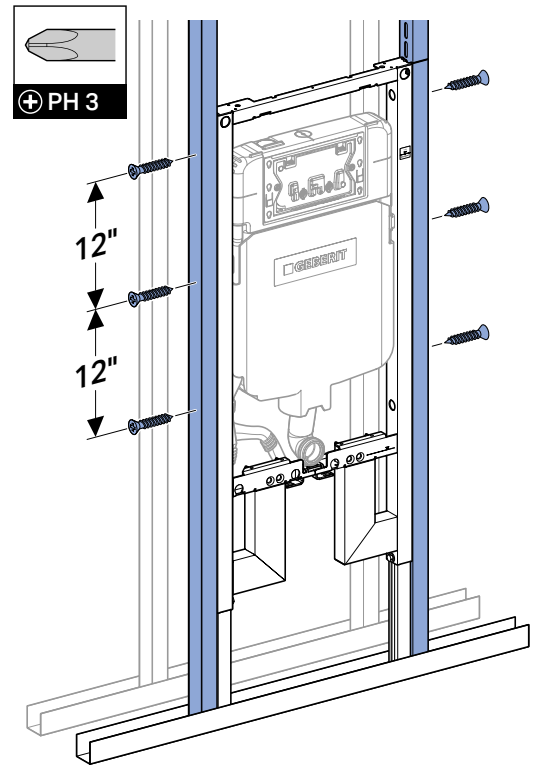
6



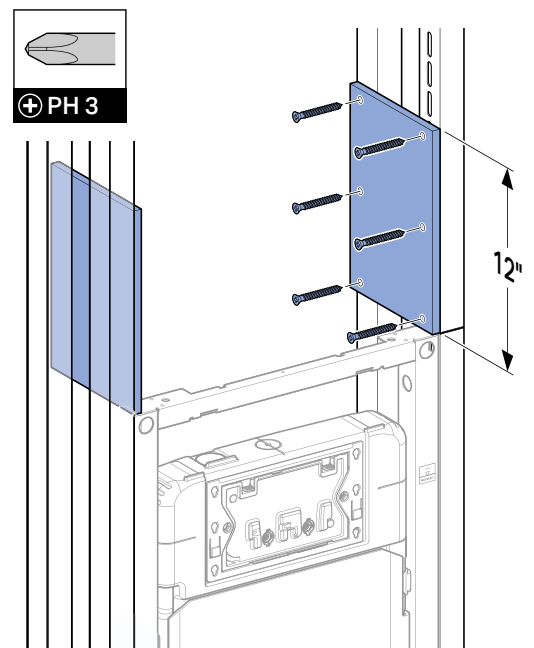
5



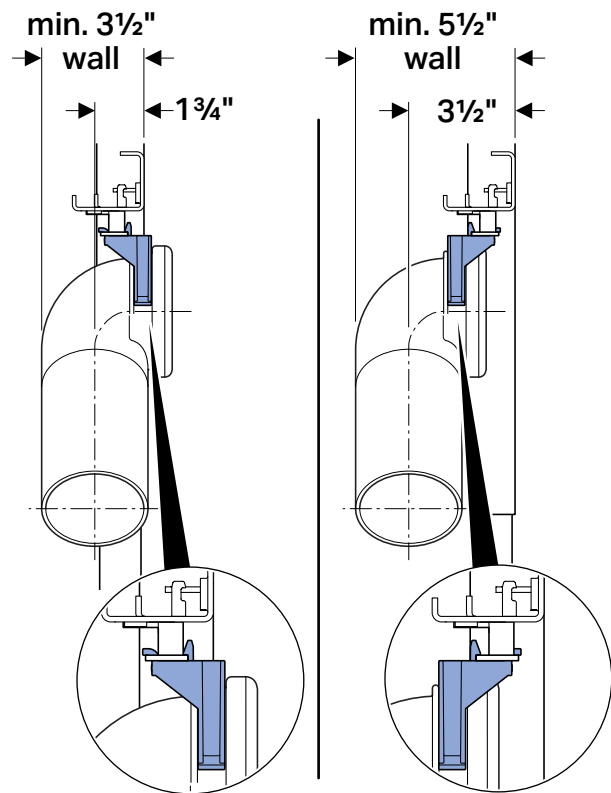
7



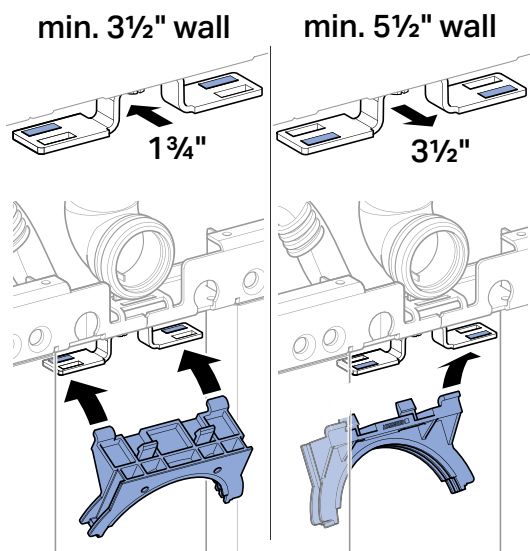
8



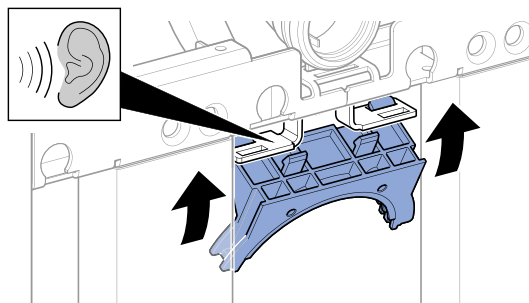
2



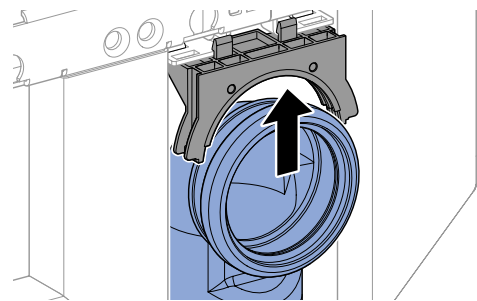
1



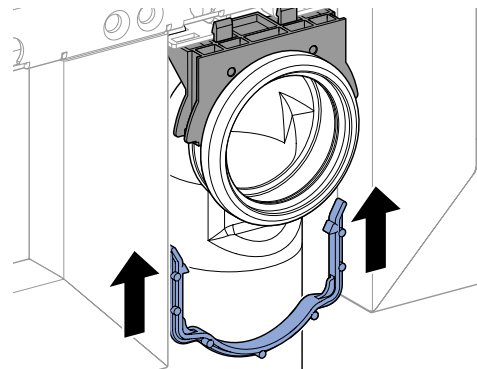
2



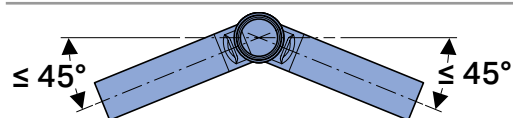
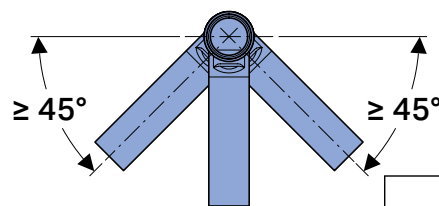
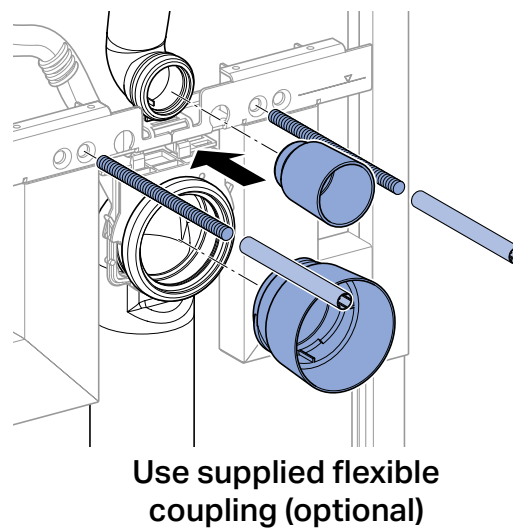
3



4

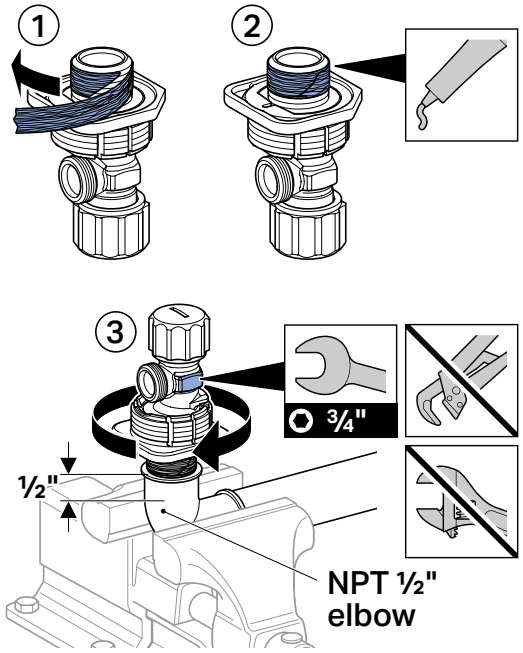


5

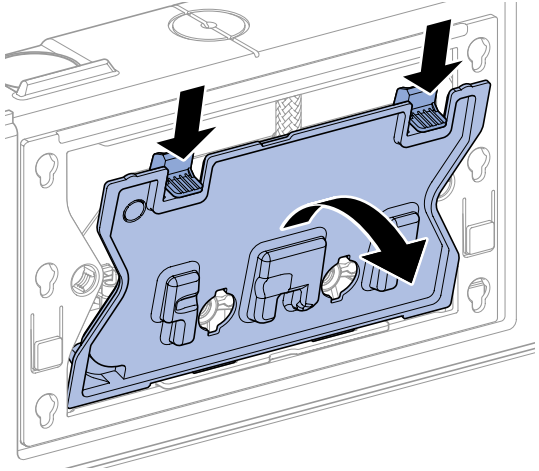


3

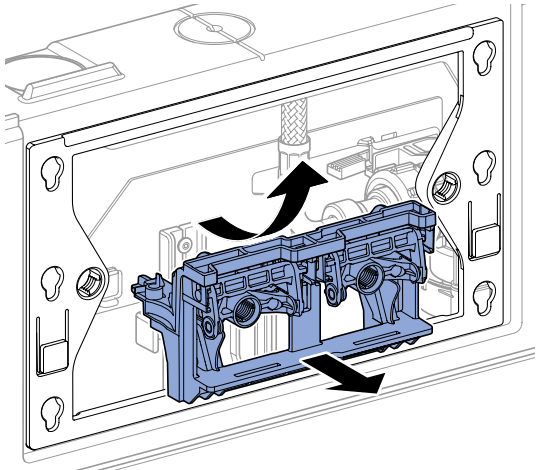
1



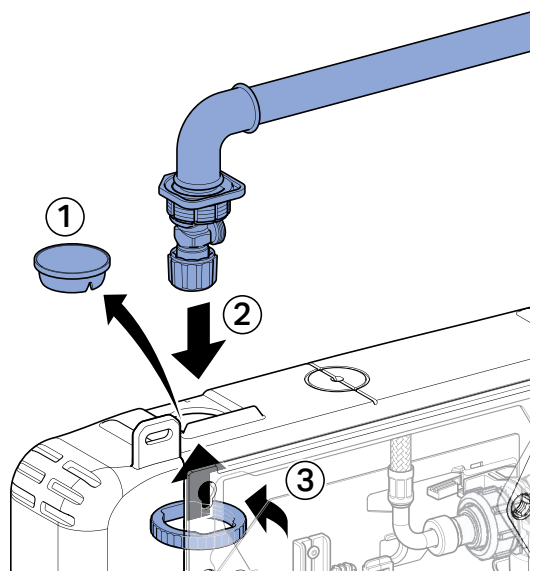
2



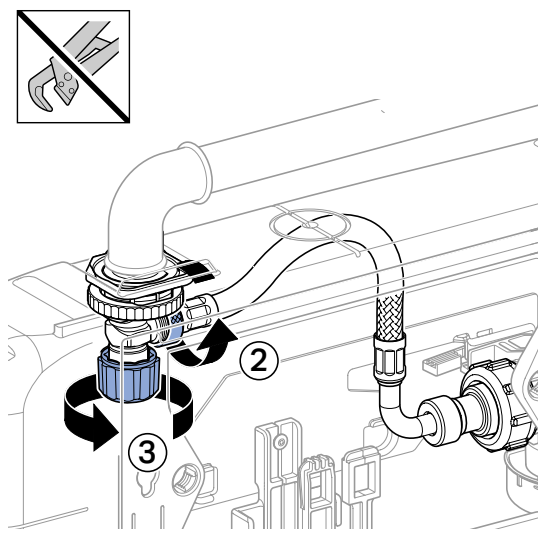
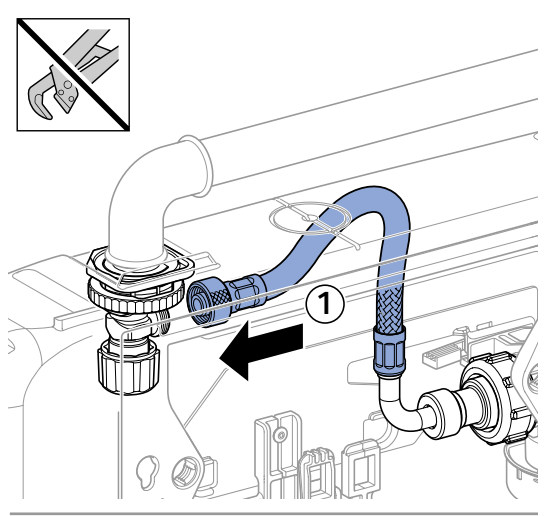
3



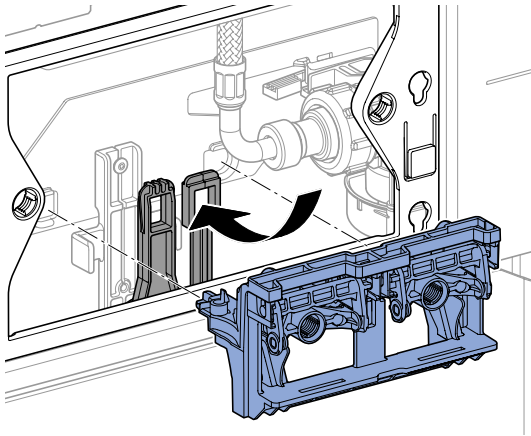
4



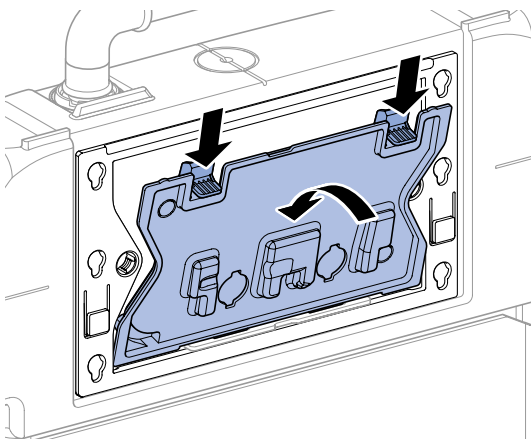
5



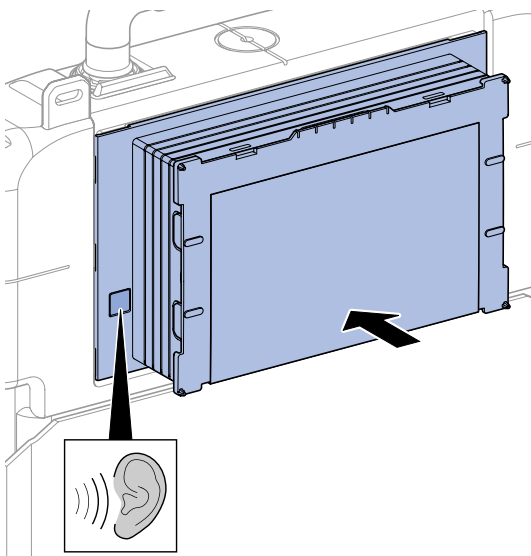
6



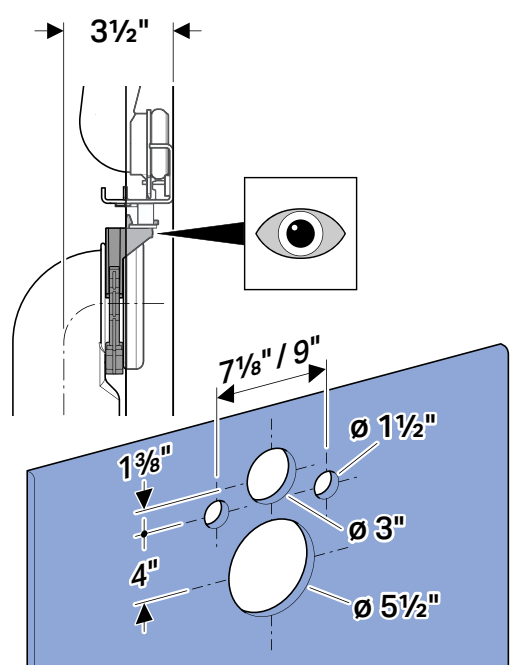
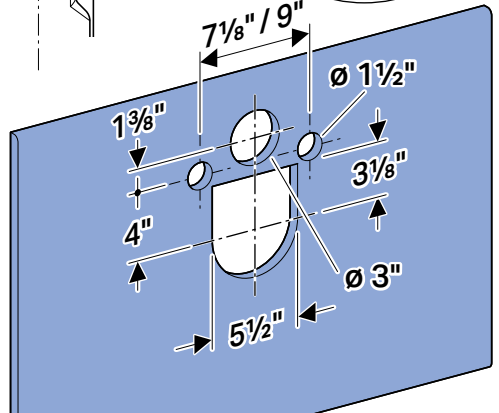
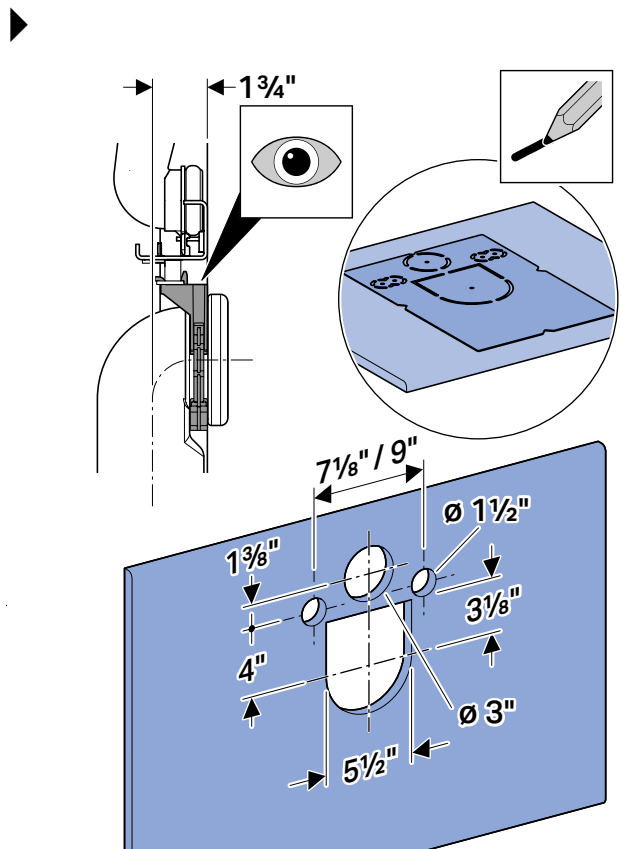
7



8



4



Geberit , 2100 Clearwater Drive, Des Plaines, IL 60018-5999
Phone: (847) 803 5000
Fax: 847/803-5454
For Technical Assistance: 800 / TEC-TRUE (800-832-8783)
→ www.geberit.us

Geberit International AG, Schachenstrasse 77, CH-8645 Jona
T +41 55 221 63 00
F +41 55 221 63 16
documentation@geberit.com
→ www.geberit.com