

**RESILIENT  
WEDGE VALVES**

**CLOW VALVE COMPANY**

**CLOW AWWA Resilient Wedge Gate Valves  
Meet or Exceed the Requirements of  
AWWA Standard C509**

Size Range	Water Working Pressure psi	Bubble Tight Test psi	Hydrostatic Shell Test psi
AWWA 2"-12"	250	250	500
ULFM 2 1/2"-12"	200	200	400

**Available in either non-rising stem, outside screw & yoke.**

**Available End Connections & Size Range**

**Figure No.**

FLG End (NRS)	2"-12"	F-6102
M.J.	2"-12" (except 2 1/2")	F-6100
FLG & M.J.	3"-12"	F-6106
Push-on for PVC (SDR)	2"-12"	F-6110
FLG End (OS & Y)	2"-12"	F-6136
M.J. for Tapping	3"-12"	F-6114
Tyton for D.I. & C900 PVC	4"-12"	F-6112
M.J. Cutting-in	4"-12"	F-6111
Tyton for D.I. X FLG	4"-12"	F-6113
Threaded	2"-3"	F-6103

**Accessories (Illustrated in the Gate Valve Section)**

Indicator Posts	2" Sq. Operating Nuts
"T" Handles	Handwheels
Stem Guides	Extension Stems
Electric Motor Actuators	Floor Boxes
	Chain Wheels
	Floorstands (non-rising stem)

MODEL	2639	AWWA	C509	FULL BODY DUCTILE IRON
MODEL	2640	AWWA	C509	FULL BODY GRAY IRON

2640-100  
A 6/23/14

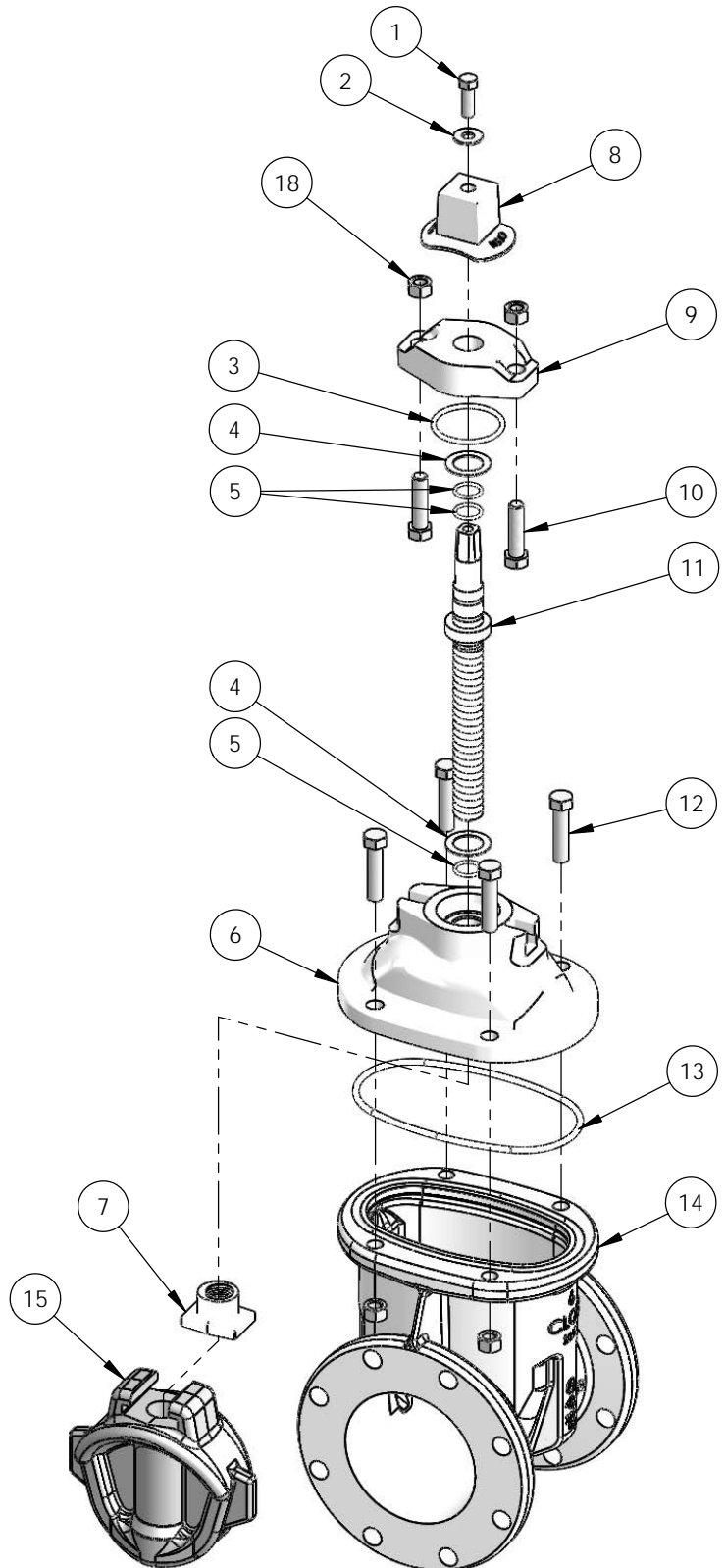
Complies with applicable requirements of AWWA C509

2"-12" R/S VALVE NRS  
EXPLODED VIEW MATERIAL LIST

**CLOW VALVE COMPANY**

MODELS 2639 & 2640

ITEM NO.	DESCRIPTION	Material - 2639	Material - 2640	QTY.
1	Hex Head Bolt	Stainless Steel	Stainless Steel	1
2	Flat Washer	Stainless Steel	Stainless Steel	1
3	O-Ring	Rubber	Rubber	1
4	Thrust Washer	Delrin	Delrin	2
5	O-Ring	Rubber	Rubber	3
6	Cover	Ductile Iron	Gray Iron	1
7	Stem Nut	Copper Alloy	Copper Alloy	1
8	Operating Nut	Gray Iron	Gray Iron	1
9	Follower Plate	Ductile Iron	Ductile Iron	1
10	Hex Head Bolt	Stainless Steel	Stainless Steel	2
11	Stem	Copper Alloy	Copper Alloy	1
12	Cover Bolt	Stainless Steel	Stainless Steel	--
13	Cover O-Ring	Rubber	Rubber	1
14	Body	Ductile Iron	Gray Iron	1
15	Wedge	Ductile Iron / Rubber	Ductile Iron / Rubber	1
18	Hex Nut	Stainless Steel	Stainless Steel	6

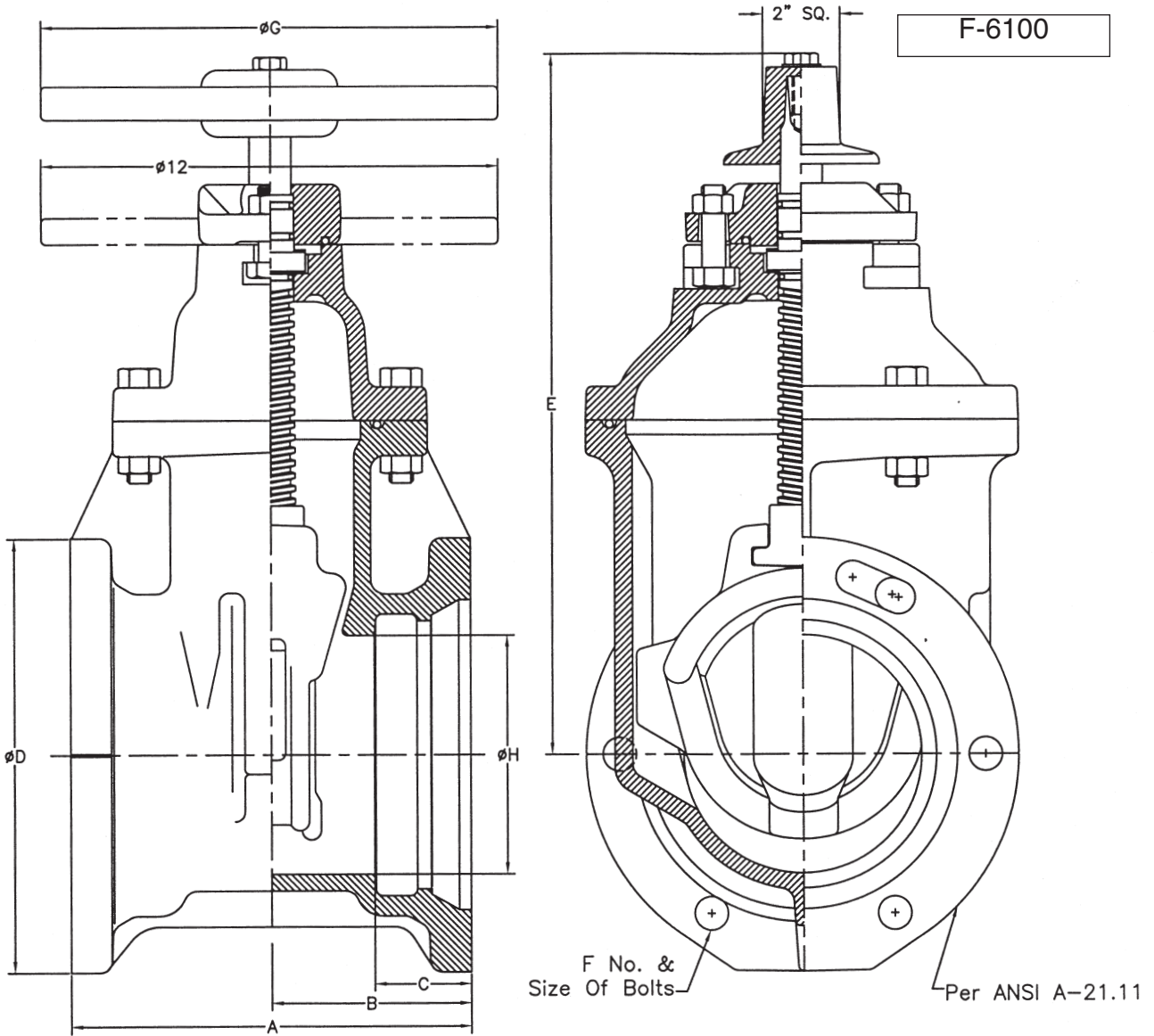


Complies with applicable requirements of AWWA C509

2"-12" R/W VALVE MECHANICAL JOINT ENDS GENERAL DIMENSIONS

**CLOW VALVE COMPANY**

MODEL 2639 & 2640



VALVE SIZE	A	B	C	D	E	F	G	H
2	8 1/4	4 1/8	2 1/2	4 1/2	10 7/8	4-5/8	7 1/4	2
2 1/2	—	—	—	—	—	—	—	—
3	8 1/2	4 1/4	2 1/2	7 3/4	12 3/8	4-5/8	10	3
4	9 1/2	4 3/4	2 1/2	9 1/8	14 3/4	4-3/4	10	4 1/4
6	10 1/2	5 1/4	2 1/2	11 3/8	19	6-3/4	12	6 1/4
8	13 1/8	6 9/16	2 1/2	13 3/4	22 1/2	6-3/4	14	8 1/4
10	15 1/2	7 3/4	2 1/2	15 3/4	26 1/2	8-3/4	18	10 1/4
12	16	8	2 5/8	18	30	8-3/4	18	12 1/4