



Model 63

Premium Sump Pump

Features:

- 5-year warranty
- Advanced switch technology allowing longer switch life (available in automatic only)
- 3/10 HP Premium 115 V sump pump
- Performance up to 19.25' (5.9 m) TDH
- Flows up to 43 GPM (163 LPM)
- Green LED plug showing power to the pump
- Viton switch arm boot and heavy-duty rubber power cord for longevity and durability
- All cast iron construction for a more robust pump
- Corrosion-resistant, powder coated epoxy paint

100% factory tested



Trusted. Tested. Tough.®

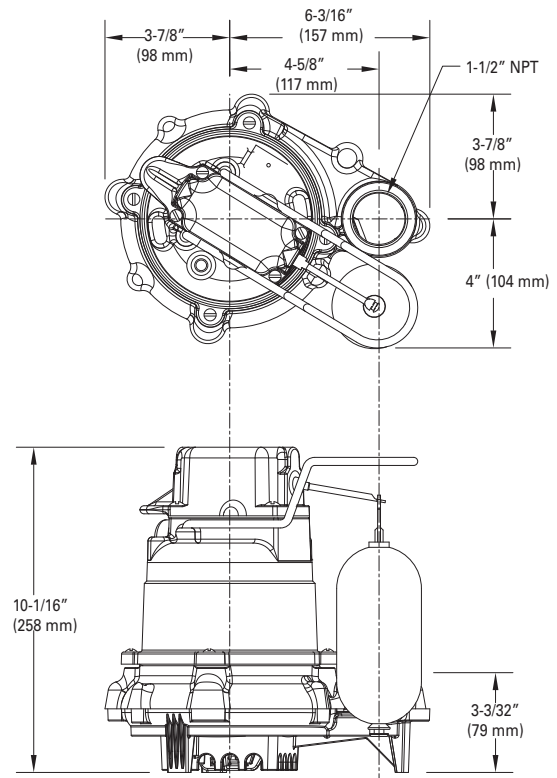
zoellerpumps.com 800-928-7867
3649 Cane Run Road, Louisville, KY 40211 USA



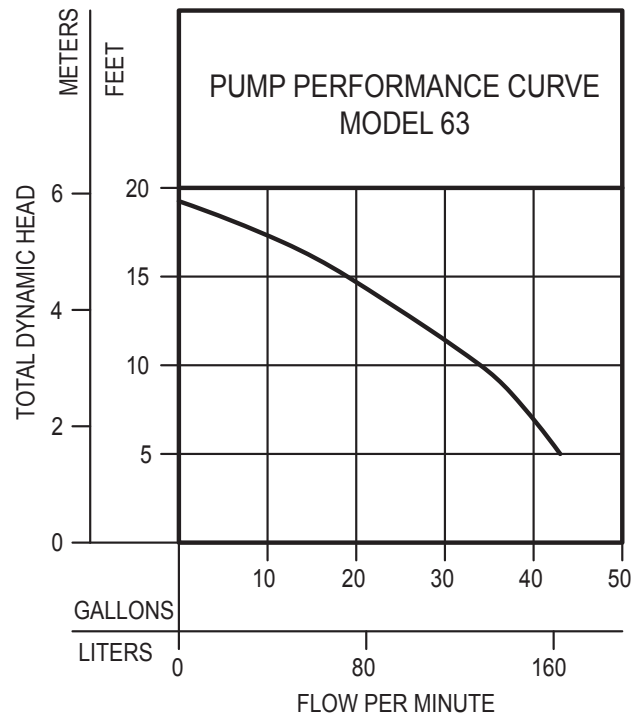
FM2959
0720
Supersedes
0420

PRODUCT SPECIFICATIONS

MOTOR	Horse Power	3/10
	Voltage	115
	Phase	1 Ph
	Hertz	60 Hz
	RPM	1550
	Type	Shaded pole
	Insulation	Class B
	Amps	9.7
PUMP	Operation	Automatic
	Auto On/Off Points	7-1/4" (18.4 cm) / 3" (7.6 cm)
	Discharge Size	1-1/2" NPT
	Solids Handling	1/2" (12 mm) spherical solids
	Cord Length	10' (3.1 m)
	Cord Type	UL listed, 3-wire, grounded plug
	Max. Head	19.25' (5.9 m)
	Max. Flow Rate	43 GPM (163 LPM)
	Max. Operating Temp.	130 °F (54 °C)
	Cooling	Oil filled
	Motor Protection	Auto reset thermal overload
	MATERIALS	Cap
Motor Housing		Cast iron
Pump Housing		Cast iron
Base		Cast iron
Upper Bearing		Sleeve bearing
Lower Bearing		Sleeve bearing
Mechanical Seals		Carbon and ceramic
Impeller Type		Non-clogging vortex
Impeller		Cast iron
Hardware		Stainless steel
Motor Shaft		AISI 1215 cold rolled steel
Gasket		Neoprene



SK858



CAUTION

All installation of controls, protection devices and wiring should be done by a qualified licensed electrician. All electrical and safety codes should be followed including the most recent National Electrical Code (NEC) and the Occupational Safety and Health Act (OSHA).

© Copyright 2020 Zoeller® Co. All rights reserved.

502-778-2731 | 800-928-7867 | 3649 Cane Run Road | Louisville, KY 40211-1961 | zoellerpumps.com