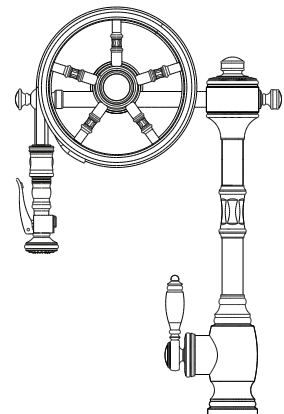


WHEEL PULLDOWN FAUCET INSTALLATION INSTRUCTIONS

Model #: 5100



5100

BEFORE YOU BEGIN YOUR INSTALLATION:

1



Turn off water supply.

2



Observe all local plumbing codes.

3



Inspect plumbing for signs of damage. Replace as necessary.

4



DO NOT use petroleum based products on this faucet.

REQUIRED TOOLS:



Adjustable Wrench



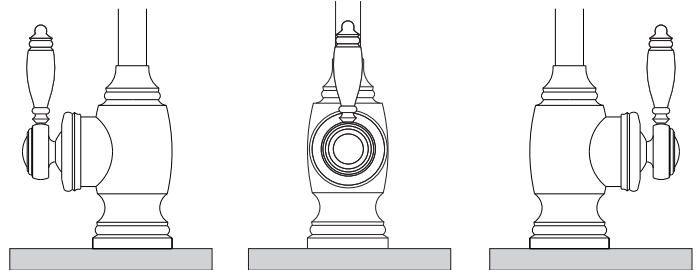
Phillips Screwdriver



Channel Locks

HANDLE POSITION

Waterstone faucets are designed to be installed in 3 different faucet positions. Choose to have the handle on left, front or right. Your faucet is factory configured for the most common positions - a front and right side installation. To reverse this and have the handle positioned on the left, connect the hose for cold water to the hot supply and the hose for hot water to the cold supply. This will maintain the relationship of pulling the handle for hot water or pushing for cold water.



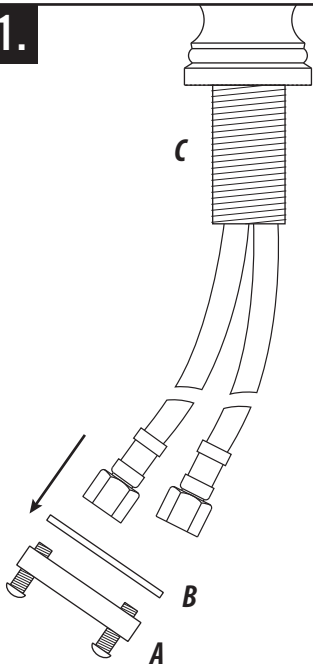
HANDLE ON LEFT

HANDLE IN FRONT

HANDLE ON RIGHT

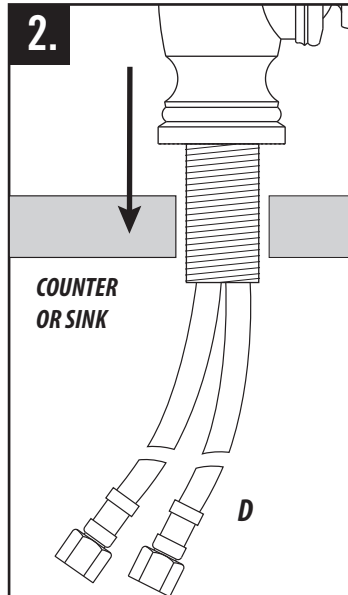
WHEEL FAUCET INSTALLATION

1.



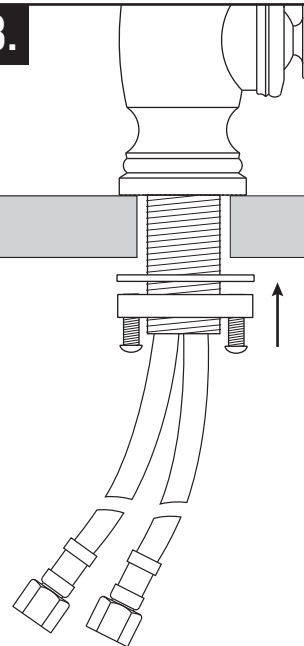
Remove the clamp nut (A) and washer (B) from the threaded shroud (C).

2.



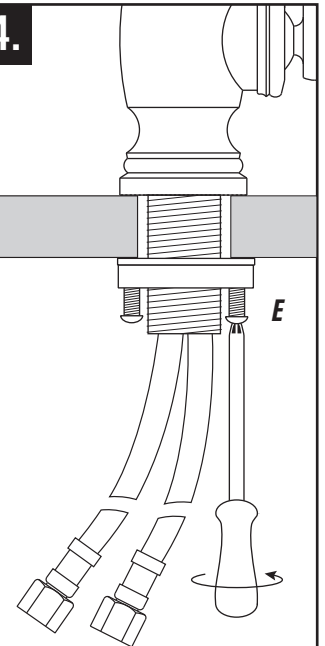
Fit flexible hoses (D) through hole on counter or sink. (*No plumbers putty is required. O-ring seals base.*)

3.



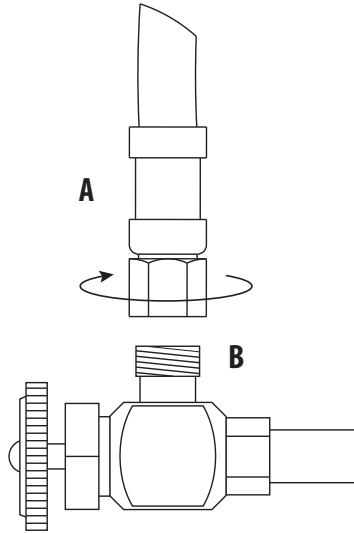
Slide washer and thread the clamp nut onto threaded shroud. Tighten nut snug to underside of sink or counter.

4.



Turn faucet to the desired handle position. Securely tighten clamp screws (E).

CONNECTING SUPPLY HOSES



Before connecting supply hoses, flush supply stops to clear any debris. Place a bucket underneath stops and run water for 5 to 10 seconds. Turn water off. Carefully position hot and cold supplies so they will not interfere with other hoses. Connect supply hoses (A) to supply stops (B). DO NOT use teflon tape, plumbers tape or plumbers putty. Turn water back on and check for leaks.

ADJUST HANDLE POSITION AND HANDLE TENSION

On some kitchen countertops, the handle may hit the backsplash when the faucet handle is positioned to the left or right (Fig. 1). Waterstone gives you the option of adjusting the handle 45 degrees to avoid hitting backsplash.

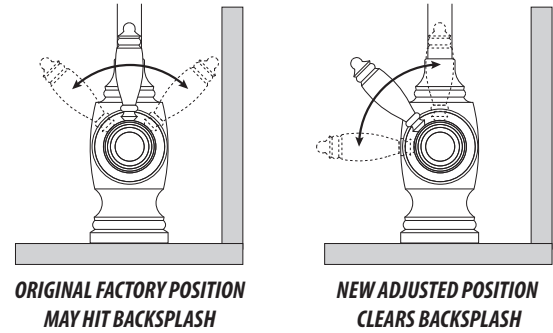
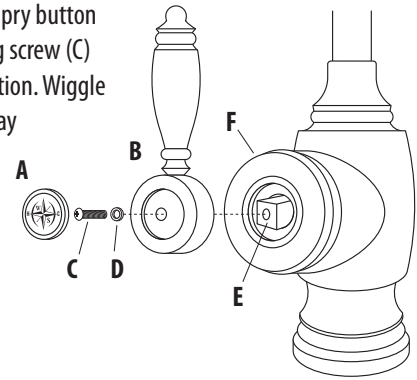


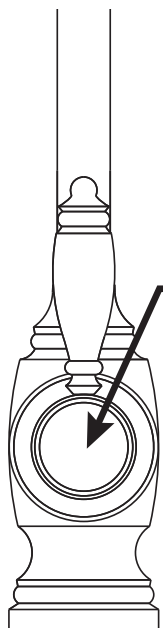
FIG.1

Place a small standard screwdriver in slot at bottom of metal ring that surrounds handle button (A). Gently pry button from handle (B). Unscrew and remove holding screw (C) and washer (D). Hold handle in a vertical position. Wiggle and pull straight off faucet. Rotate handle away from backsplash 45 degrees then slide handle back onto valve stem (E). Insert holding screw with washer and tighten. Snap handle cap back into place. To adjust handle tension, turn ring (F) clockwise to increase or counterclockwise to decrease handle tension.



OPTIONAL DECORATIVE BUTTONS

TRADITIONAL ONLY - INCLUDES 3



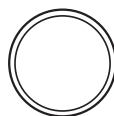
1. To remove, place a small standard screwdriver in the slot at the bottom of metal ring that surrounds the handle button. Gently pry the button from faucet handle.



COMPASS H/C



COMPASS C/H



FINISH MATCH

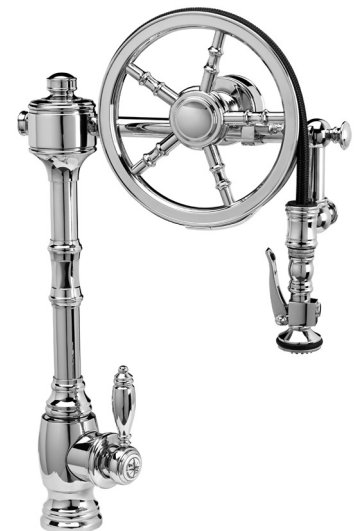
2. To replace, position button and snap in with thumb.

LIFETIME WARRANTY

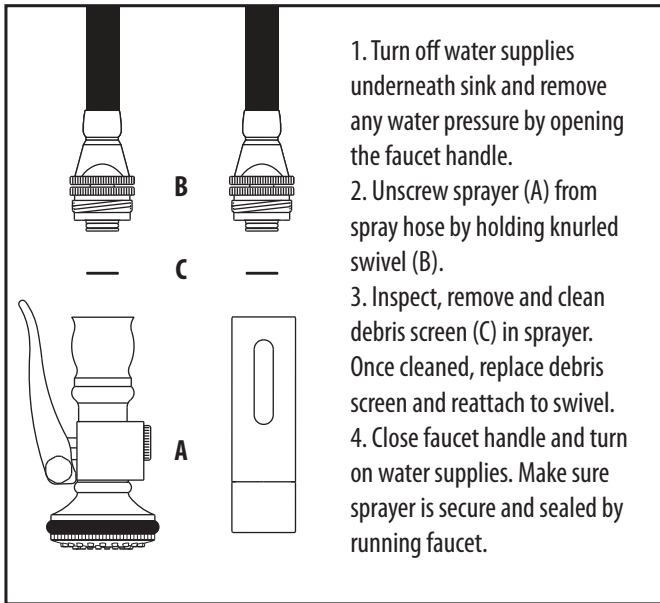
All Waterstone products manufactured by Waterstone carry a **Limited Lifetime Guarantee** against functional defect in material or workmanship in a residential application. Consult with an authorized Waterstone dealer for complete information about our warranty.

For any questions or concerns about your faucet's warranty, contact Waterstone.

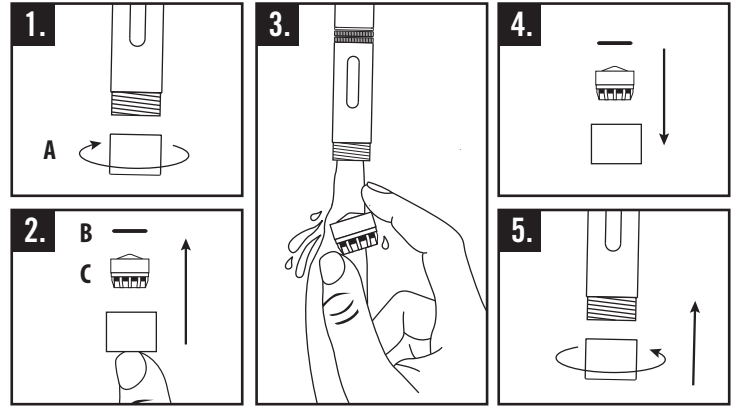
Waterstone Faucets
41180 Raintree Court
Murrieta, CA 92562
1-888-304-0660
www.waterstoneco.com



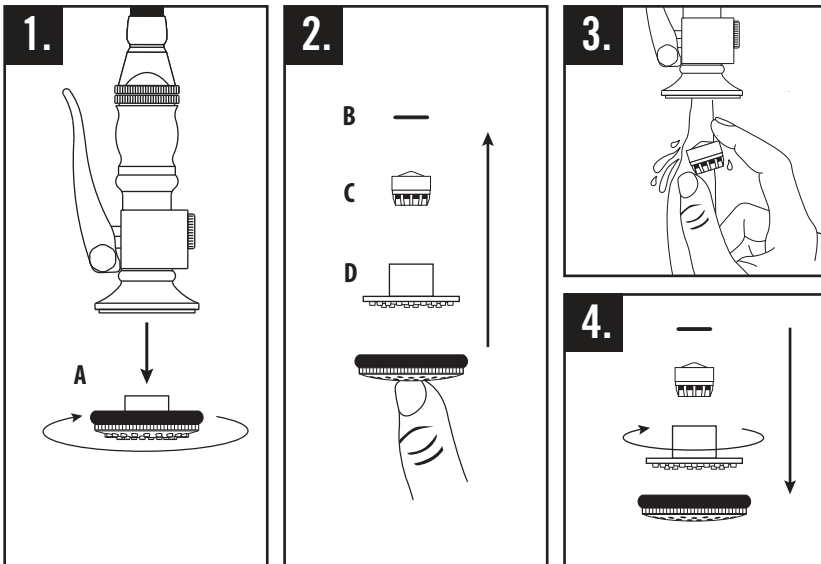
CLEANING DEBRIS SCREEN



CLEANING AERATOR - CONTEMPORARY

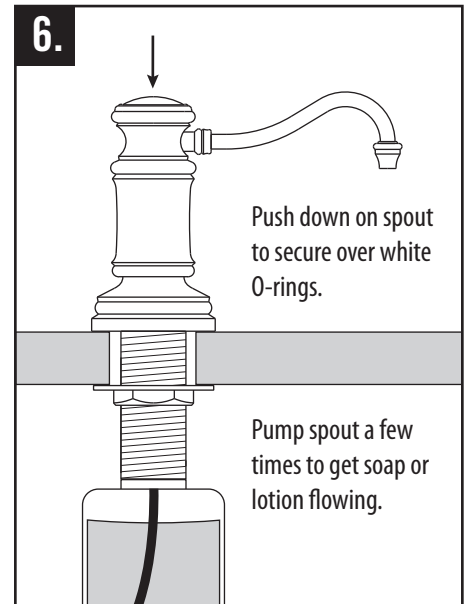
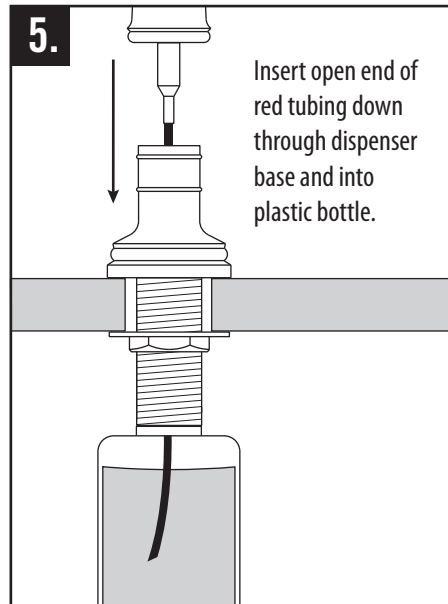
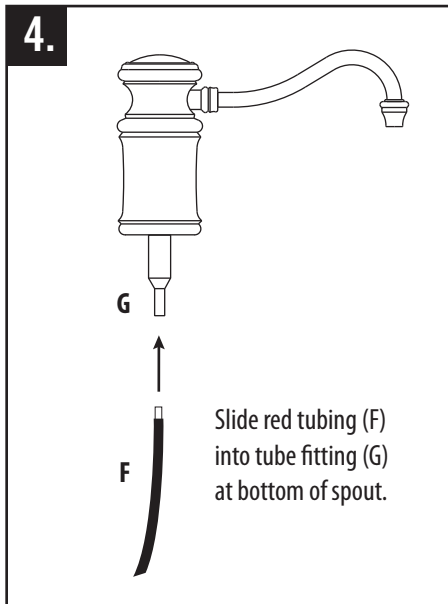
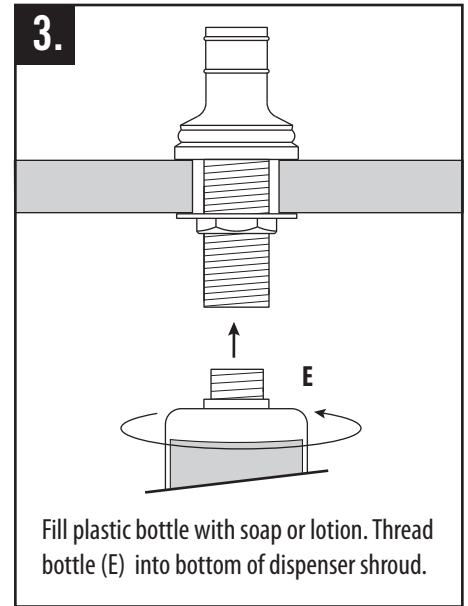
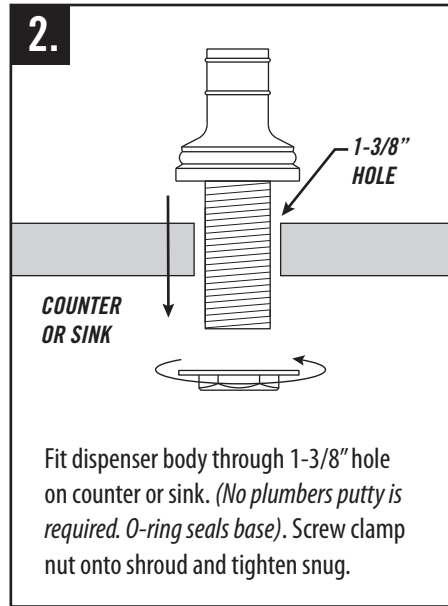
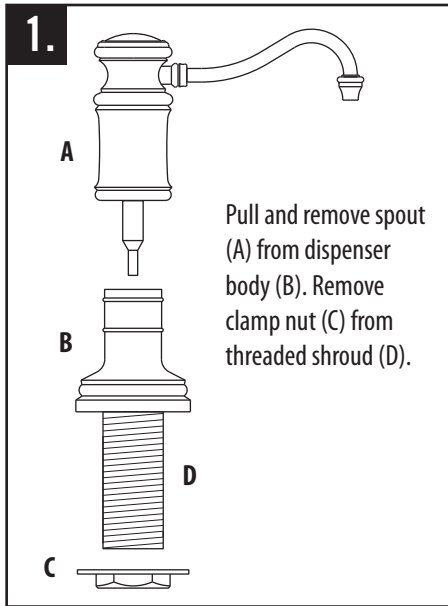


CLEANING AERATOR - TRADITIONAL

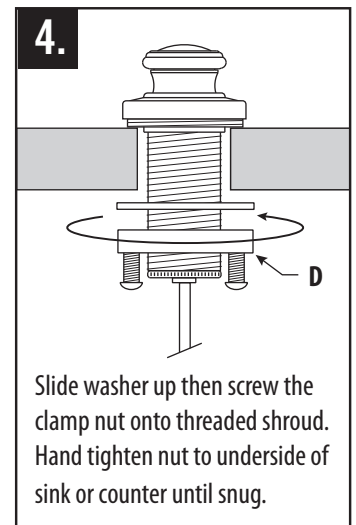
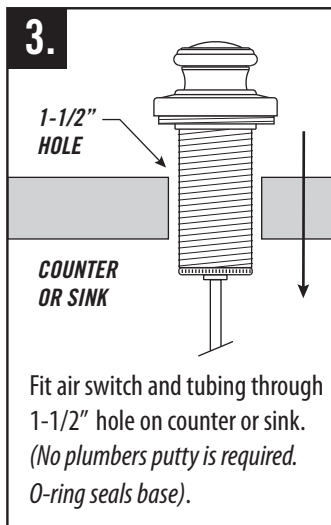
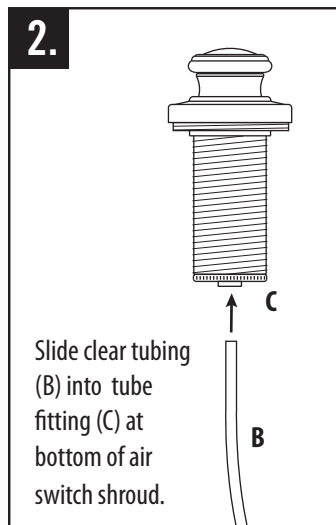
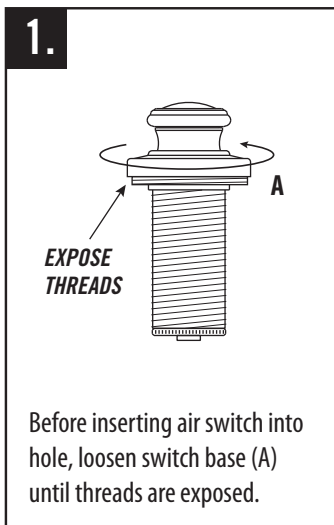


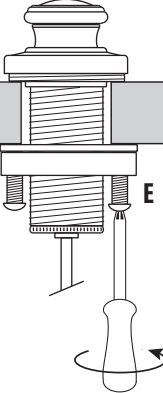
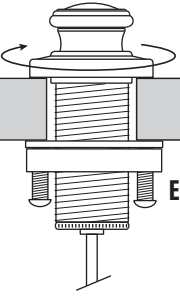
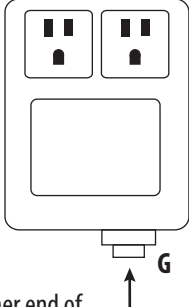
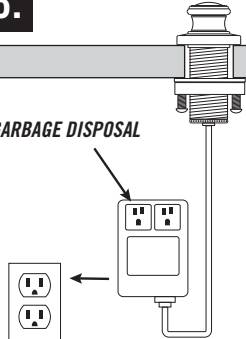
1. Gently unscrew and remove spray face (A) by hand.
2. To remove O-ring (B), aerator (C) and spray face insert (D), push with finger from bottom.
3. Thoroughly rinse aerator with water until all debris is removed.
4. Place spray face insert back into spray face and spin until it clicks into place. Next, place aerator and O-ring into spray face. Gently screw spray face, by hand, snugly back onto sprayer.

INSTALL SOAP/LOTION DISPENSER (OPTIONAL)

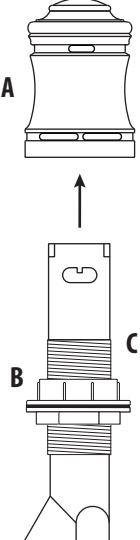
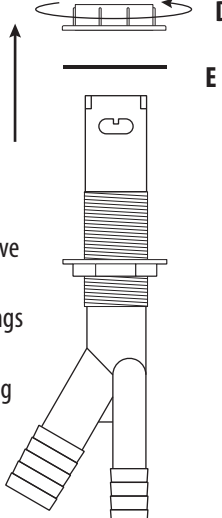
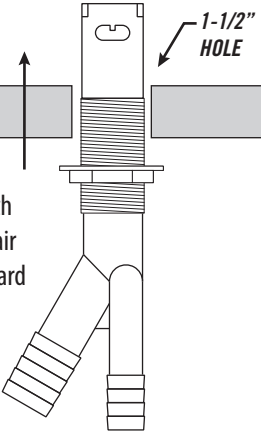
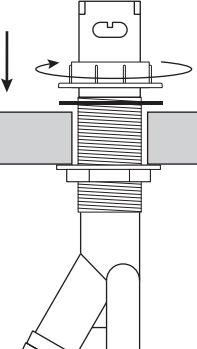
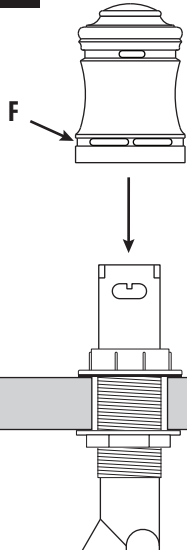
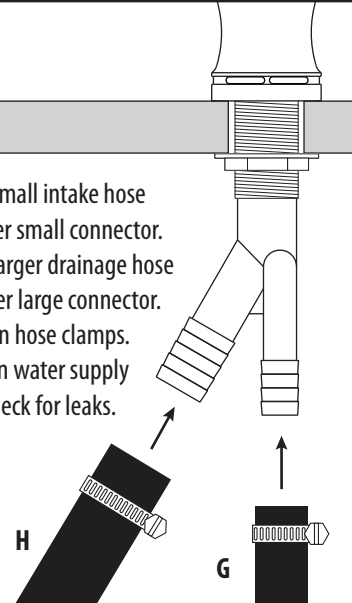


INSTALL AIR SWITCH (OPTIONAL)



<p>5.</p>  <p>Tighten clamp screws (E) securely with screwdriver.</p>	<p>6.</p>  <p>Hand tighten switch base back down to cover threads.</p>	<p>7.</p>  <p>Slide other end of tubing (F) into tube fitting at bottom of control box (G).</p>	<p>8.</p>  <p>Plug control box into undersink electrical outlet. Plug garbage disposal into either dual outlet.</p>
---	--	--	---

INSTALL SINGLE PORT AIR GAP (OPTIONAL)

<p>1.</p>  <p>Twist and pull air gap cover (A) off of upper cap nut (B). Unscrew and remove cap nut from piping (C).</p>	<p>2.</p>  <p>Unscrew and remove top clamp nut (D) from both threads on piping. Slide gasket (E) off piping and remove.</p>	<p>3.</p>  <p>From underneath countertop, fit air gap piping upward through 1-1/2" hole.</p>
<p>4.</p>  <p>Slide gasket down and screw top clamp nut back onto piping. Adjust the two clamp nuts to fit countertop thickness. (No plumbers putty is required).</p>	<p>5.</p>  <p>Screw cap nut back onto top of piping until snug. Slide air gap over cap nut and top clamp nut. Be sure to have overflow holes (F) facing sink.</p>	<p>6.</p>  <p>Slide small intake hose (G) over small connector. Slide larger drainage hose (H) over large connector. Tighten hose clamps. Turn on water supply and check for leaks.</p>

INSTALL DUAL PORT AIR GAP (OPTIONAL)

1.

Pull air gap (A) off of upper cap nut (B). Unscrew and remove cap nut from piping (C).

2.

Unscrew and remove top clamp nut (D) from both threadings on piping. Slide gasket (E) off piping and remove.

3.

From underneath counter top, fit air gap piping upward through 1-1/2" hole.

4.

Slide gasket down and screw top clamp nut back onto piping. Adjust the two clamp nuts to fit countertop thickness. *(No plumbers putty is required).*

5.

Screw cap nut back onto top of piping until snug. Slide air gap over cap nut and top clamp nut. Be sure to have overflow holes (F) facing sink.

6.

Slide small intake hose (G) over small connector. Slide larger drainage hose (H) over large connector. Tighten hose clamps.

Third intake hole (J) has 3 options. Use hose connector (K) for additional dishwasher, use filtration hose connector (L) for reverse osmosis unit, or use solid cap (M) to plug third hole.

