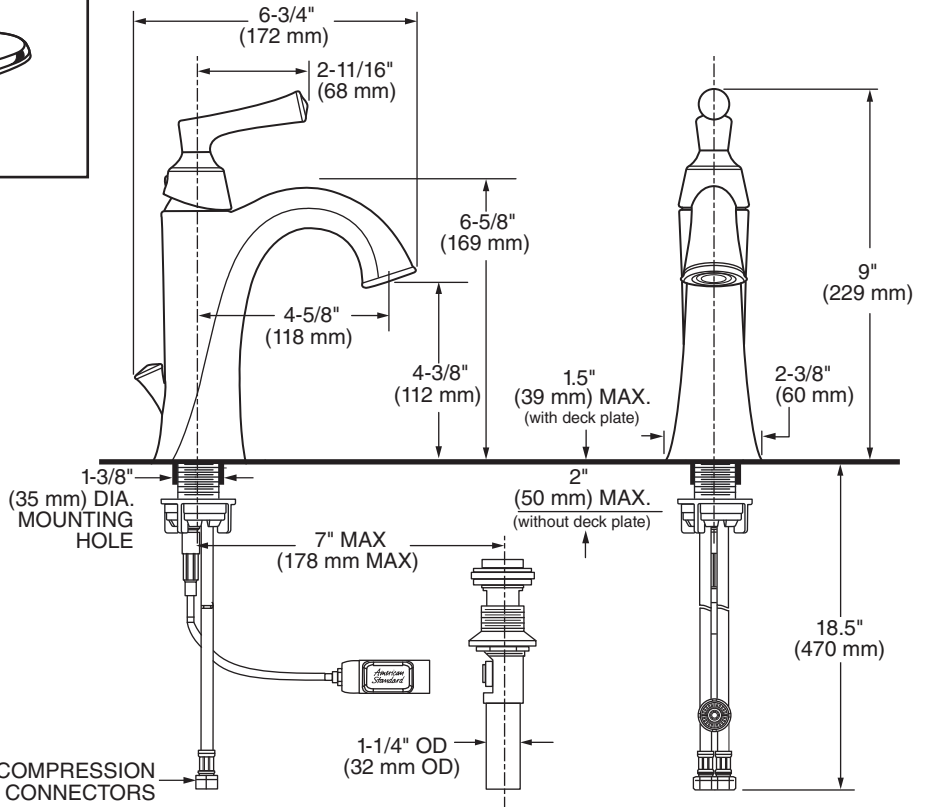
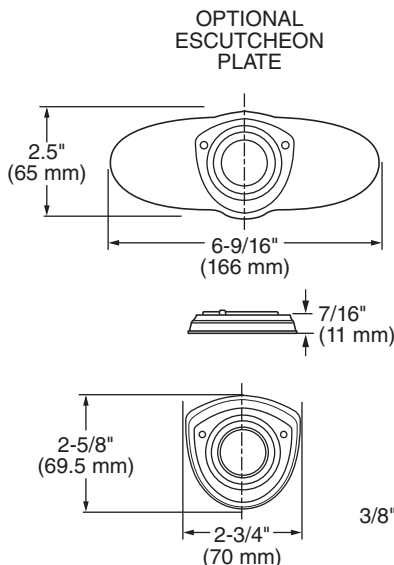




MODEL NUMBER:

- **7722.101 Single Control Lavatory**
Metal Speed Connect® pop-up drain. Metal lever handle.



GENERAL DESCRIPTION:

All metal body. Metal lever handle. Washerless 35 mm ceramic disc valve cartridge with integral hot limit safety stop. Braided flexible supply hoses with 3/8" compression connectors. 20" (500 mm) long flexible stainless steel drain cable is pre-assembled to faucet body. Metal Speed Connect® drain body with 1-1/4" (32 mm) tail piece. 1.2 gpm/4.5 L/min. maximum flow rate. Fitting can be mounted on 4" centers using supplied escutcheon or single hole mounting method.

PRODUCT FEATURES:

- Ceramic Disc Valve Cartridge:** Assures a lifetime of smooth handle operation and drip-free performance.
- Exclusive Speed Connect Metal Drain:**
 - Fewer parts. Installs in less time.
 - No adjustments required - seals the first time, every time.
 - Flexible stainless steel cable - installs effortlessly in tight spaces.
- Lead Free:** Faucet contains ≤ 0.25% total lead content by weighted average.
 - Coordinates with Estate® Suite of fixtures.
 - Available Exclusively at Ferguson® Showrooms.

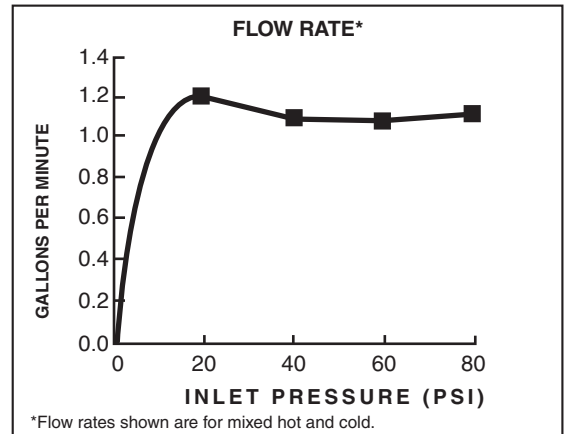
SUGGESTED SPECIFICATION


Single control lavatory faucet shall feature a metal spout and metal lever handle. Shall also feature washerless ceramic disc valve cartridge. Shall also feature a metal drain body with stainless steel cable actuation. Fitting shall be American Standard Model # 7722.101._____.

CODES AND STANDARDS

These products meet or exceed the following codes and standards:

- ANSI A117.1**
- ASME A112.18.1**
- CSA B125.1**
- NSF 61/Section 9**
- NSF 372**



Product Number	Description	Finish Options			
		Polished Chrome	PVD Polished Nickel	Legacy Bronze	PVD Satin Nickel
		002	013	278	295
7722.101	Estate™ single control lavatory faucet. Metal Speed Connect® pop-up drain. 				

 Meets the American Disabilities Act Guidelines and **ANSI A117.1** Requirements for the physically challenged.