

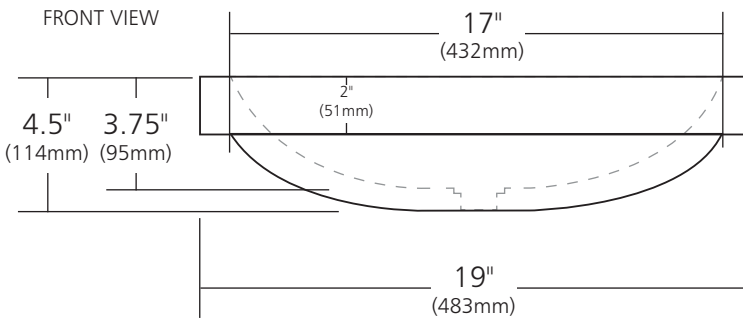
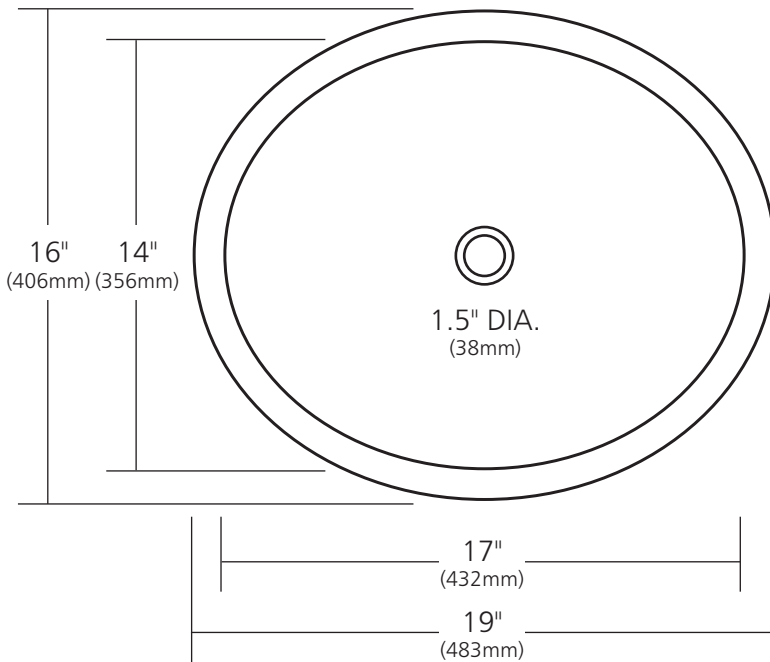
## SPECIFICATIONS

# TOLOSA

NativeStone® Collection



TOP VIEW



NSL1916-A Ash  
NSL1916-S Slate  
NSL1916-P Pearl

### PRODUCT DETAILS

- 19" x 16" x 4.5" OD (483mm x 406mm x 114mm)
- 17" x 14" x 3.75" ID (432mm x 356mm x 95mm)
- 1.5" (38mm) drain opening
- Handcrafted from sustainable NativeStone®
- Sealed with impermeable nano sealer

### INSTALLATION

- Drop-in or undermount

### COORDINATING PRODUCTS

- Drains: DR120, DR130, DR150 or DR160

### STANDARDS COMPLIANCE

- UPC/cUPC compliant
- **ADA**  COMPLIANT

### IMPORTANT

Due to the handcrafted nature of this product, it will vary in finish, texture, and other details. Dimensions may vary up to .5" (13mm). We strongly recommend waiting for the actual product before making any installation cuts.