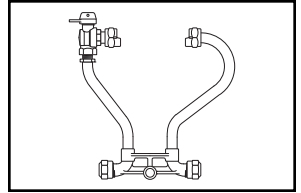


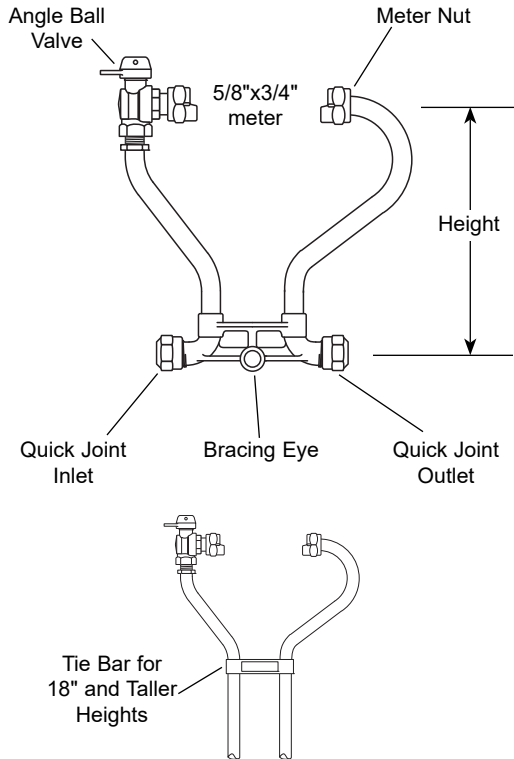
# SUBMITTAL INFORMATION

## 70 Series Coppersetter - (VB72-xxW-44-xx-Q-NL style)



ANGLE BALL VALVE BY METER NUT (5/8" X 3/4" METER)

QUICK JOINT FOR COPPER OR PLASTIC TUBING (CTS) INLET AND OUTLET



### Coppersetter Part Number

HEIGHT (INCHES)	APPROX. WT. LBS.	CATALOG NUMBER (INSERT SERVICE LINE CONNECTION SIZE)	✓ SUBMITTED ITEM(S)
7	4.3	VB72-7W-44-xx-Q-NL	
9	4.5	VB72-9W-44-xx-Q-NL	
12	4.7	VB72-12W-44-xx-Q-NL	
15	4.9	VB72-15W-44-xx-Q-NL	
18	5.6	VB72-18W-44-xx-Q-NL	
21	5.8	VB72-21W-44-xx-Q-NL	
24	6.1	VB72-24W-44-xx-Q-NL	
27	6.3	VB72-27W-44-xx-Q-NL	
30	6.6	VB72-30W-44-xx-Q-NL	
33	6.9	VB72-33W-44-xx-Q-NL	
36	7.1	VB72-36W-44-xx-Q-NL	
39	7.4	VB72-39W-44-xx-Q-NL	
42	7.7	VB72-42W-44-xx-Q-NL	

### Service Line Size

INLET	OUTLET	SERVICE LINE CONNECTION SIZE	✓ SUBMITTED ITEM(S)
3/4" (CTS) Q.J.	3/4" (CTS) Q.J.	33	
1" (CTS) Q.J.	1" (CTS) Q.J.	44	

Note: Ford recommends using insert stiffeners with plastic pipe or tubing

### FEATURES

- All brass that comes in contact with potable water conforms to AWWA Standard C800 (ASTM B584, UNS C89833)
- The product has the letters "NL" cast into the main body for lead-free identification
- Brass components that do not come in contact with potable water conform to AWWA Standard C800 (ASTM B62 and ASTM B584, UNS C83600, 85-5-5-5)
- Copper conforms to ASTM B75 or B88, UNS C12200
- Saddle nuts hold the meter in place for tightening
- Bracing eye is standard on all 70 Series Coppersetters
- Tie bar is standard for 18" and taller Coppersetter heights (72 Series)
- 13/16" copper risers provide more flow capacity
- All Ford® Setters are assembled with lead-free solder

The Ford Meter Box Company considers the information in this submittal form to be correct at the time of publication. Item and option availability, including specifications, are subject to change without notice. Please verify that your product information is current.



**The Ford Meter Box Company, Inc.**  
 P.O. Box 443, Wabash, Indiana U.S.A. 46992-0443  
 Phone: 260-563-3171 / Fax: 800-826-3487  
 Overseas Fax: 260-563-0167  
 www.fordmeterbox.com

11/05/18

Submitted By: