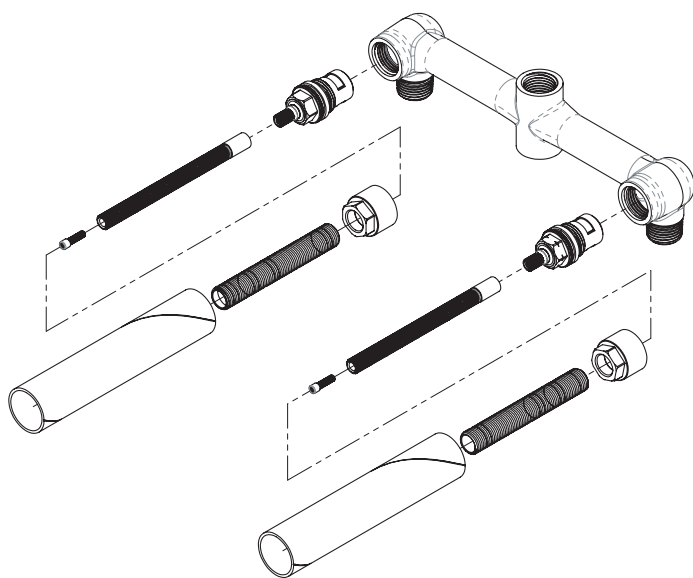

PHYLTRICH®

Defining Luxury Since 1959



INSTALLATION INSTRUCTIONS FOR

8090536R WALL SHOWER/ WALL TUB VALVE
8090536RNL WALL LAVATORY SET VALVE

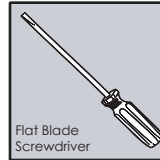
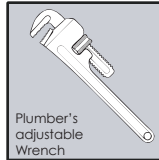
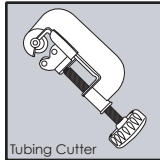
INSTALLATION INSTRUCTIONS FOR

PHYLIRICH®

Defining Luxury Since 1959

8090536R WALL SHOWER/ WALL TUB VALVE
8090536RNL WALL LAVATORY SET VALVE

RECOMMENDED TOOLS & MATERIALS Most of the procedures require the use of common tools & materials, which are available from hardware & plumbing supply stores. It is essential that the tools and materials be on hand before work.



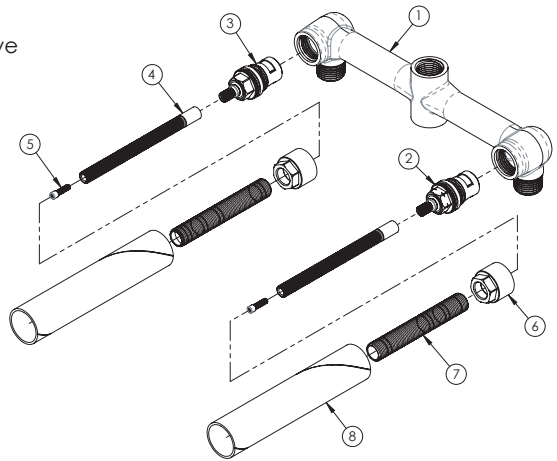
WE RECOMMEND THAT ALL PLUMBING PRODUCTS BE INSTALLED BY LICENSED PROFESSIONAL

PARTS BREAKDOWN

■ 8090536R Wall Shower/ Wall Tub Valve

(If you have purchased the 8090536R Wall Shower / Wall Tub Valve)

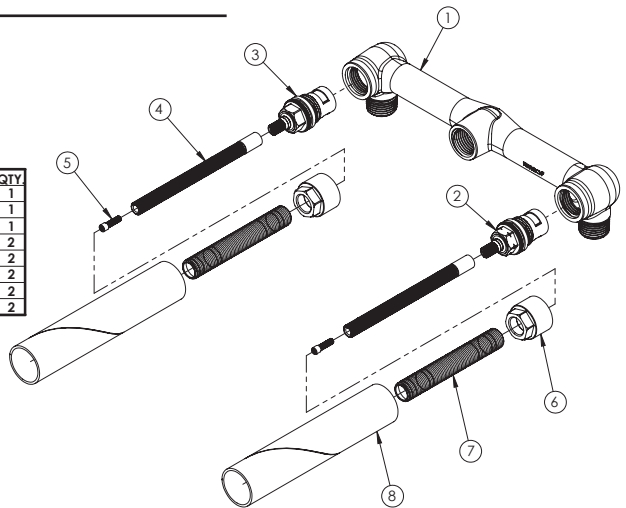
8090536R WALL SHOWER/WALL TUB VALVE			
#	PART #	DESCRIPTION	QTY
1	10107	VALVE BODY, TUBE-SHOWER VALVE	1
2	11540	CARTRIDGE 1/2" 20 PT HOT	1
3	11541	CARTRIDGE 1/2" 20 PT COLD	1
4	10054	STEM EXTENSION	2
5	92157	SCREW	2
6	11321	CARTRIDGE RETAINER NUT	2
7	10209	SHANK NIPPLE THREAD ALL	2
8	11648	MUD GUARD, CARDBOARD	2



■ 8090536RNL Wall Lav Set Valve

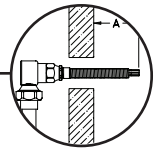
(If you have purchased the 8090536RNL Wall Lav Set valve)

8090536RNL WALL LAV SET VALVE			
#	PART #	DESCRIPTION	QTY
1	10106	VALVE BODY, LAV INWALL	1
2	11540	CARTRIDGE 1/2" 20 PT HOT	1
3	11541	CARTRIDGE 1/2" 20 PT COLD	1
4	10054	STEM EXTENSION	2
5	92157	SCREW	2
6	11321	CARTRIDGE RETAINER NUT	2
7	10209	SHANK NIPPLE THREAD ALL	2
8	11648	MUD GUARD, CARDBOARD	2



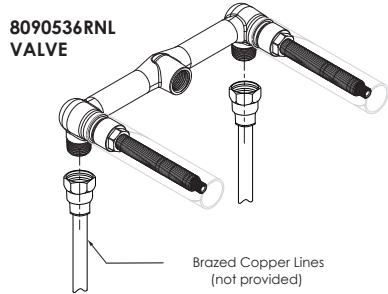
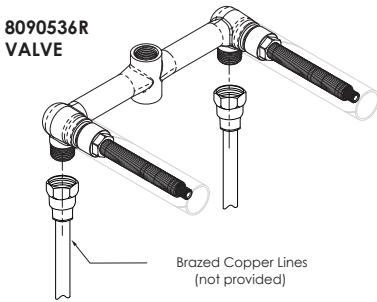
Before starting the installation determine first the **rough-in specs** to determine the proper location of the valve.

See page 6 for rough-in specs



-PART 1 Connection of Copper tubing/lines

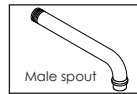
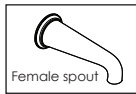
Once the proper location has been determined secure the **valve**. Connect the **Copper lines** to the hot and cold supplies. **NOTE: COPPER LINES NOT PROVIDED**



Follow the direction for the continuation of the install guide:
 For Wall Lav go to **Part 2** ; For Tub Install go to **Part 3A** ; For Shower install go to **part 3B**

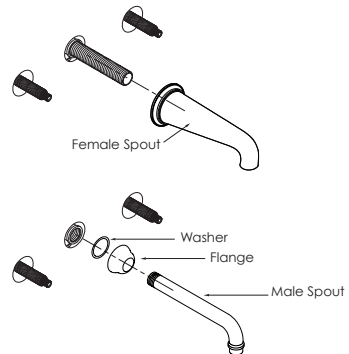
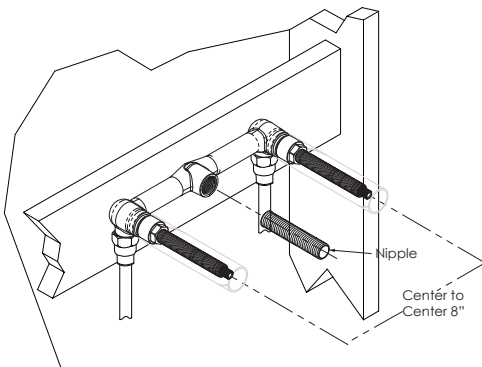
- PART 2 Wall Lav Installation

Before installing, know first if you are installing a **female spout** or a **male spout**.



For Female spout : Determine the proper location for the **Wall lavatory Valve**. (**Note: The Wall tub valve must be a minimum of 2" above the floodplane of the tub.**) Install a **crossbeam** and connect a 1/2" brass **nipple** (not provided) to accept the spout. **Wall is ready to be closed.**

For Male spout : (No need to attach nipple.) Slide spout flange and rubber washer onto spout. Attach complete spout to the valve. **Wall is ready to be closed.**

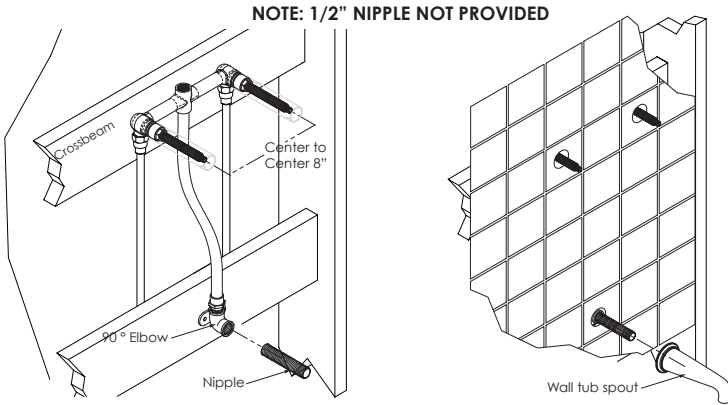


NOTE: Check all connections for leaks and flush all lines.

PROCEED TO PART 4 (Escutcheons & Handles)

-PART 3A Tub Installation

Determine the proper location for the Tub spout. (**NOTE: the outlet of the spout must be minimum of 2" above the floodplane of the tub**). Install a crossbeam and secure a 1/2" brass 90° elbow. Connect elbow to the valve using copper lines. Connect a 1/2" brass nipple to elbow to accept the spout. **Wall is ready to be closed.**



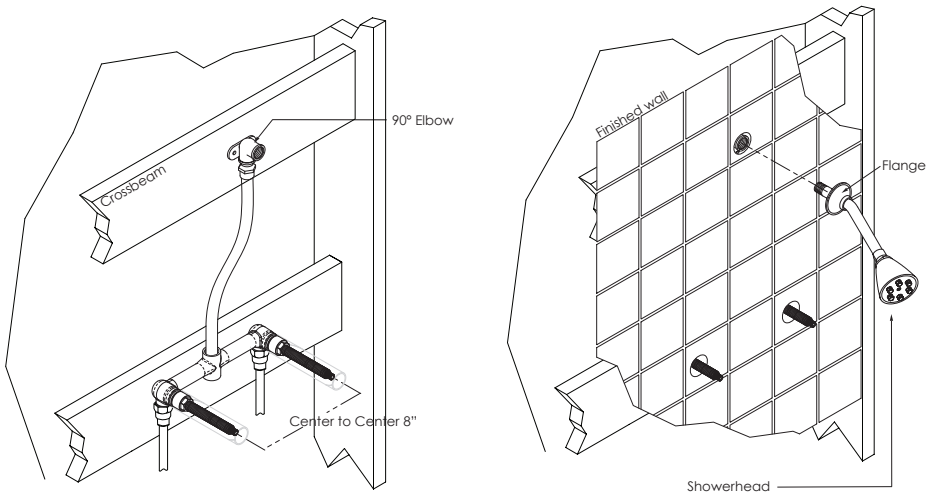
NOTE: Check all connections for leaks and flush all lines.

Once **finished wall** is installed, attach **Wall Tub Spout** to the brass nipple.

PROCEED TO PART 4 (Escutcheons & Handles)

-PART 3B Wall Shower Installation

Determine the proper **location** of the showerhead. Install a **crossbeam** and secure a 1/2" brass 90° elbow. Connect elbow to the valve using copper lines. **Wall is ready to be closed.**



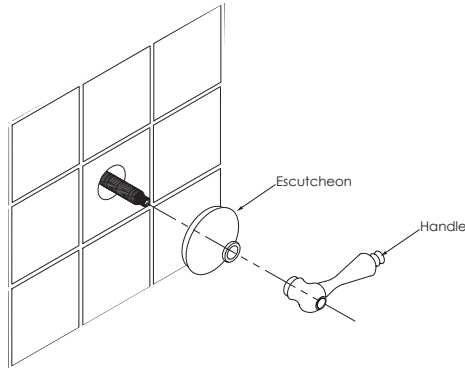
Once **finished wall** is installed, attach **Showerhead** to the brass **elbow**. Slide flange against wall.

NOTE: Check all connections for leaks and flush all lines.

PROCEED TO PART 4 (Escutcheons & Handles)

•PART 4 (Escutcheons & Handles)

Once the **finished wall** is in place and the necessary installation finished, attach the **escutcheons and handles** to the stem assemblies.



Proceed to the next step on how to fix trimming issues if applicable.

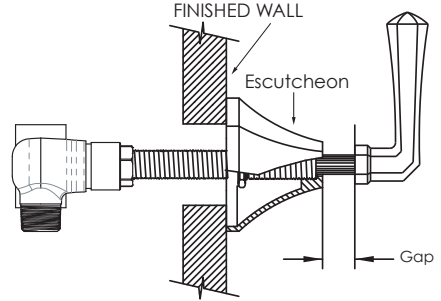
•TRIM OUT

INSTALLED TOO DEEP

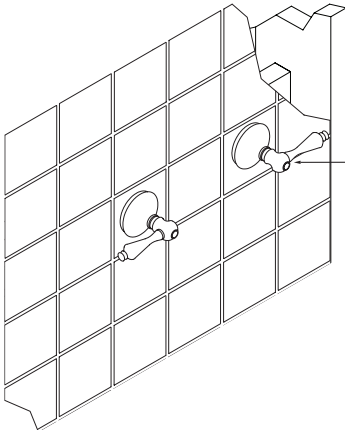
If the valve is **installed too deep** behind the wall, **extension stems** are available. Please contact your local distributor to order part number **2-289 6 1/2"**

INSTALLED TOO FAR OUT

If the valve is **installed too far out of the wall**, the **stems and nipples** may be trimmed. To determine amount to be cut measure the gap between the **escutcheon and the wall** and/or the gap between the **handle and escutcheon**.



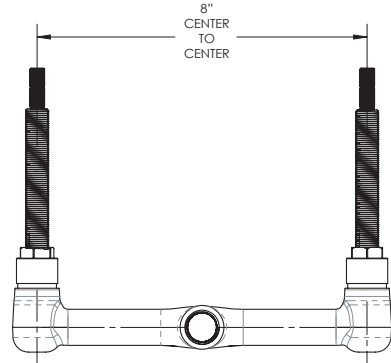
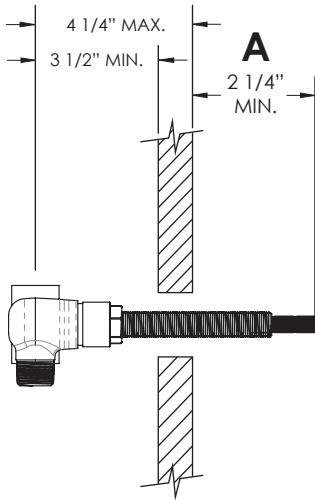
Remove **handle, escutcheon and stem assembly**, make appropriate **cuts** on stem and nipple.
Re - install stem assemblies, escutcheons and handles.



Secure handles using **setscrews** or 1/4-20 machine screws provided.

Your faucet is now ready to use.

ROUGH-IN SPECIFICATIONS



Rough in specifications for wall tub sets
All Phylrich valve installations must follow the measurement for
“A” listed below

Please consult the trim number for correct rough in dimension

PHYLRICH PROD#	Rough In	PHYLRICH PROD#	Rough In	PHYLRICH PROD#	Rough In
K11012 1/4"	K11712 1/2"	K12732"
K11042 3/4"	K11802 7/8"	K12742"
K11052 3/4"	K11812 7/8"	K1338A2 1/2"
K11232 7/8"	K11832 7/8"	K1338B2 1/2"
K11372 3/8"	K11842 7/8"	K1338C2 1/2"
K1137SF2 3/8"	K12342 1/2"	K1338D2 1/2"
K11412 3/8"	K12403"	K1338F2 1/2"
K11442 1/4"	K12413"	K13612 3/8"
K1158A2 1/4"	K12423"	D11002 1/4"
K1158B2 1/4"	K12433"	D11022 1/4"
K1158C2 1/4"	K12443"	D11302 1/4"
K1158D2 1/4"	K12702"	D11342 1/4"
K1158F2 1/4"	K12712"	D11372 1/4"
K11702 1/2"	K12722"	D12052 3/4"
				D12062 3/4"

Rough in specifications for two handle shower sets

PHYLRICH PROD#	Rough In	PHYLRICH PROD#	Rough In	PHYLRICH PROD#	Rough In
K31012 1/4"	K31702 1/2"	K32722"
K31042 3/4"	K31712 1/2"	K32732"
K31052 3/4"	K31802 7/8"	K32742"
K31092 1/2"	K31812 7/8"	K3338A2 1/2"
K31232 7/8"	K31832 7/8"	K3338B2 1/2"
K31372 3/8"	K31842 7/8"	K3338C2 1/2"
K3137SF2 3/8"	K32342 1/2"	K3338D2 1/2"
K31412 3/8"	K32403"	K3338F2 1/2"
K31442 1/4"	K32413"	K33612 3/8"
K3158A2 1/4"	K32423"	D31002 1/4"
K3158B2 1/4"	K32433"	D31022 1/4"
K3158C2 1/4"	K32443"	D31302 1/4"
K3158D2 1/4"	K32443"	D31342 1/4"
K3158F2 1/4"	K32702"	D31372 1/4"
		K32712"	D32052 3/4"
				D32062 3/4"

Rough in specifications for wall lavatory tub sets

All Phylrich Doralife valve installations must follow the measurement for "A" listed below

Please consult the trim number for correct rough in dimension

PHYLIRICH PROD#	Rough In	PHYLIRICH PROD#	Rough In	PHYLIRICH PROD#	Rough In
WL101	2 1/4"	WL180	2 7/8"	WL338B	2 1/2"
WL104	2 3/4"	WL181	2 7/8"	WL338C	2 1/2"
WL105	2 3/4"	WL234	2 1/2"	WL338D	2 1/2"
WL123	2 7/8"	WL240	3"	WL338F	2 1/2"
WL137	2 3/8"	WL241	3"	WL361	2 3/8"
WL137SF	2 3/8"	WL242	3"	DWL100	2 1/4"
WL141	2 3/8"	WL243	3"	DWL102	2 1/4"
WL144	2 1/4"	WL244	3"	DWL130	2 1/4"
WL158A	2 1/4"	WL270	2"	DWL134	2 1/4"
WL158B	2 1/4"	WL271	2"	DWL137	2 1/4"
WL158C	2 1/4"	WL272	2"	DWL205	2 3/4"
WL158D	2 1/4"	WL273	2"	DWL206	2 3/4"
WL170	2 1/2"	WL274	2"		
WL171	2 1/2"	WL338A	2 1/2"		

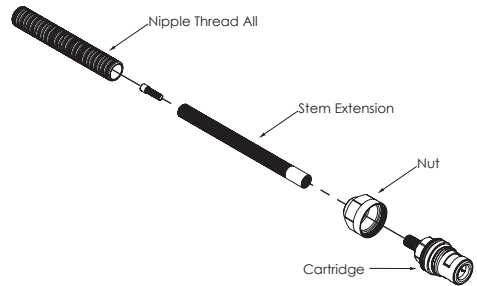
Note: If you ordered/ purchased a replacement for the cartridge follow the instructions below.

▪ ADJUSTABLE CARTRIDGE KIT 2-197 (1/2" COLD) & 2-198 (1/2" HOT)

Warning: Before removing any plumbing make sure that the water line has been shut off

HANDLE ADJUSTMENT

1. Remove any existing cartridge & make sure that the **valve is free from any debris.**
2. Install new **cartridge.**
3. Rotate handle to desired "**off**" position (**3 o'clock** or **9 o'clock**).
4. Remove handle and use a deep socket wrench (**12-14 ft-lb RECOMMENDED**) to secure the adjustment nut **DO NOT OVER TIGHTEN**
5. If the handle is heavy & starts to droop use a strap wrench on the **threaded nipple as needed**
6. **Reinstall trim & handle**



PHYLIRICH®

Defining Luxury Since 1959

1261 Logan Ave., Costa Mesa, CA 92626 P: 714.361.4830 F: 714.617.3120
www.phylrich.com