



Specifications

Disposal Description

- GX PRO Series packs all the standard features and reliable performance in a more compact form
- 1/2 Horsepower VORTEX™ Motor has powerful grinding capabilities for everyday kitchen scraps
- VORTEX™ Motor features permanent magnet motor technology designed to help reduce jamming
- Universal Xpress Mount™ fits all Moen and most existing 3-bolt mounting assemblies
- Ultra compact design frees up space under the sink
- Continuous feed with galvanized steel grind components
- Manual Reset Button
- Garbage disposals reduce waste sent to landfills making it an eco-friendly option for your home

Included Components

- GXP50c Disposal Unit with Universal Xpress Mount™
- Pre-installed Power Cord
- Removable Splash Guard
- Polished Stainless Steel Sink Flange and Drain Stopper
- Drain Stopper and Polished Stainless Steel Sink Flange

Warranty & Assurance

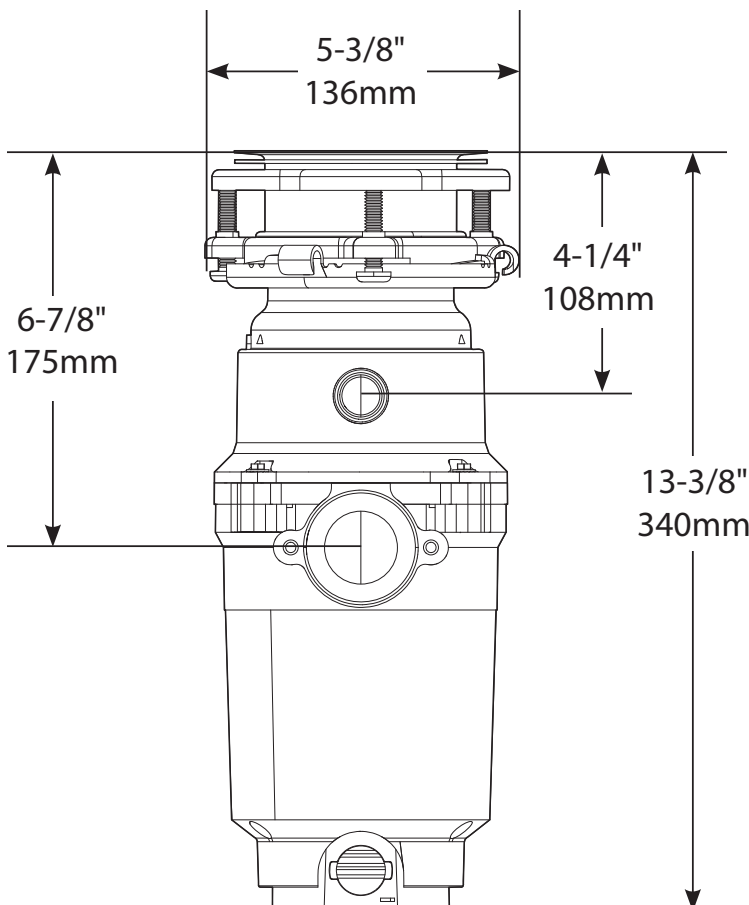
- 3 year limited warranty with in-home service
- Safe for use with properly sized septic systems



Model: GXP50c



Critical Dimensions



| Specification Detail | |
|------------------------------|--|
| Horsepower | 1/2 HP |
| Feed Type | Continuous |
| On/Off Controls | Wall Switch |
| Motor Type | Single Phase Permanent Magnet Motor |
| RPM (Revolutions Per Minute) | 2600 |
| Weight | 8.5 lbs / 3.85 kg |
| Volts | 115 |
| Hz/Amps | 60/4.5 |
| Drain Connection Size | 1 1/2" / 38mm |
| Dishwasher Connection Size | 7/8" / 22mm |
| Maximum Sink Thickness | 1/2" / 13mm |
| Sink Drain Flange Finish | Polished Stainless Steel |
| Grind Component Material | Galvanized Steel |
| Grind Chamber Material | Corrosion Proof Glass Filled Polyester and Nylon |