



Molded Wood Toilet Seats

PFTSWE1001WH / PFTSWE2001WH

Product Features

- Durable, high quality
- Molded wood construction
- Available in round or elongated
- Closed front with cover
- Plastic top mount hinge
- Easy installation
- Color matched bumpers
- Multi-coat enamel finish



PFTSWE1001WH



PFTSWE2001WH

Model Numbers

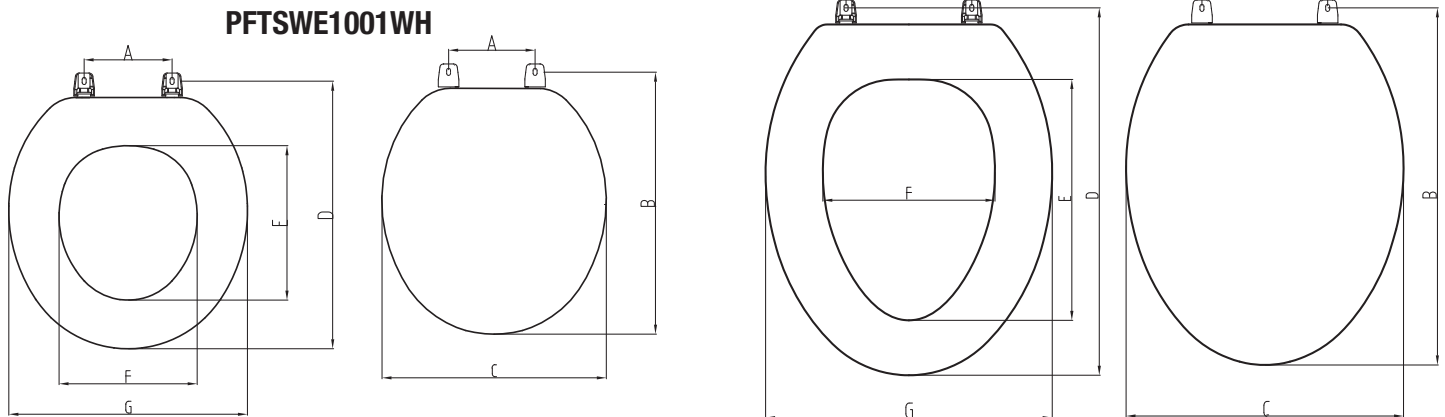
- PFTSWE1001WH Round front wood toilet seat, white
 PFTSWE2001WH Elongated wood toilet seat, white

Available Parts

- LIN101036 Replacement bolts

Product Specification

PFTSWE2001WH



| Model Numbers | Dimensions | | | | | | |
|---------------|------------|---------|---------|---------|---------|--------|---------|
| | A | B | C | D | E | F | G |
| PFTSWE1001WH | 5-1/2" | 16-1/2" | 13-3/4" | 16-3/4" | 10 | 8-3/4" | 14-1/2" |
| PFTSWE2001WH | 5-1/2" | 18" | 13-3/4" | 18-1/2" | 11-7/8" | 8-1/2" | 14-1/4" |

Warranty and Codes

PROFLO toilet seats carry a 1-year limited warranty. In an effort to continually improve our products, We will make design changes from time to time. We reserve the right to ship newly designed product to fill any order unless we agree in writing to do otherwise.