

4

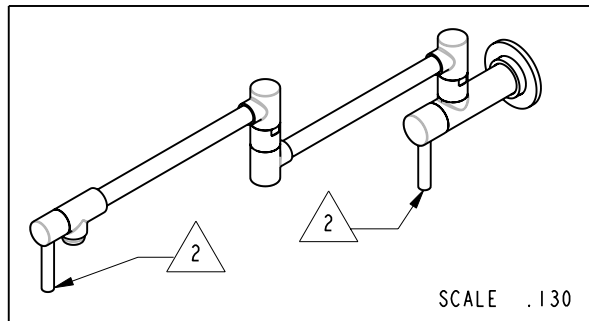
3

2

1

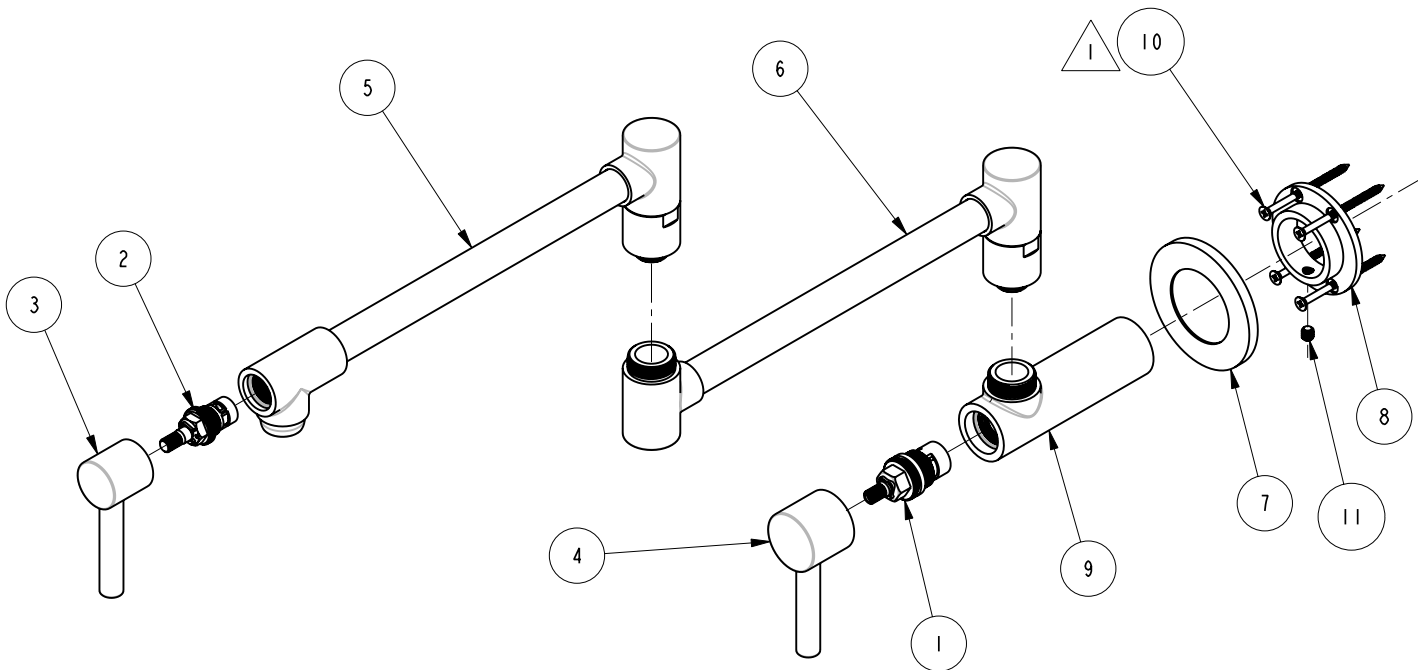
NOTES:

- 1. PACK THESE ITEMS IN A PLASTIC BAG.
- 2. HANDLE IN CLOSE POSITION.



BILL OF MATERIAL (CURRENT LEVEL)

ITEM	PT/ASSY	DESCRIPTION	TYPE	QTY.
1	1-006	C/S VALVE CARTRIDGE - HOT	PART	1
2	1-134	CARTR 3/8 HOT 1/4 TR	PART	1
3	2-547	LEVER HANDLE ASM, CONTEMP	ASSEMBLY	1
4	2-548	LEVER HANDLE ASM, CONTEMP	ASSEMBLY	1
5	2-552	UPPER ARM ASM, CONTEMP	ASSEMBLY	1
6	2-553	LOWER ARM ASM, CONTEMP	ASSEMBLY	1
7	2-556	FLANGE ASM, CONTEMP	ASSEMBLY	1
8	11309	FLANGE, MOUNTING	PART	1
9	11330	VALVE BODY, WALL-END	PART	1
10	92223	WOOD SCREW #8 X 2-1/2	PART	4
11	92231	1/4-20 X 1/4 SET SCREW	PART	1



COPYRIGHT 2005 BRASSTECH, INC. THESE DRAWINGS AND THE DESIGNS DEPICTED HEREIN ARE THE PROPRIETARY PROPERTY OF BRASSTECH. ANY USE OR REPRODUCTION IS SUBJECT TO THE EXPRESS APPROVAL OF BRASSTECH. UNAUTHORIZED USE IS STRICTLY PROHIBITED. ALL RIGHTS RESERVED.

BRASSTECH
 INCORPORATED
 2001 E. CARNEGIE AVE.
 SANTA ANA, CA 92705
 (949) 417-5207

POT FILLER, WALL, LEVER, CONTEMP

ASSY. NO.

9485

SCALE .250

REF. -

SHEET 1 OF 2

B	EO-0770	10/12/06
A	EO-0701	08/25/06
-	EO-0641	01/18/06
REV	REV DESC	DATE

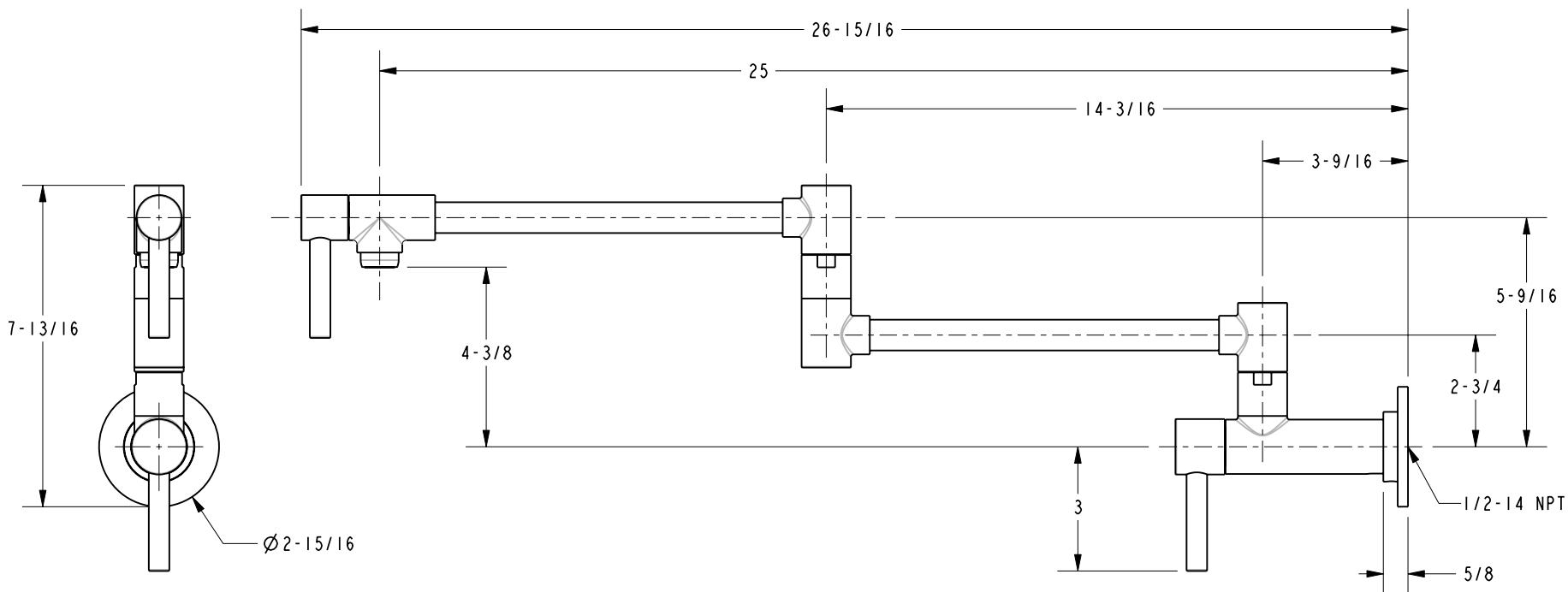
4

3

2

1

SPECIFICATION DWG



DIMENSIONS ARE IN INCHES AND AN APPROXIMATION OF A TYPICAL INSTALLATION

COPYRIGHT 2005 BRASSTECH, INC. THESE DRAWINGS AND THE DESIGNS DEPICTED HEREIN ARE THE PROPRIETARY PROPERTY OF BRASSTECH. ANY USE OR REPRODUCTION IS SUBJECT TO THE EXPRESS APPROVAL OF BRASSTECH. UNAUTHORIZED USE IS STRICTLY PROHIBITED. ALL RIGHTS RESERVED.

BRASSTECH		2001 E. CARNEGIE AVE.	
INCORPORATED		SANTA ANA, CA 92705	
		(949) 417-5207	
DWG NO.	9485	REV	B
SCALE	.250	REF.	-
		SHEET	2 OF 2