

Features

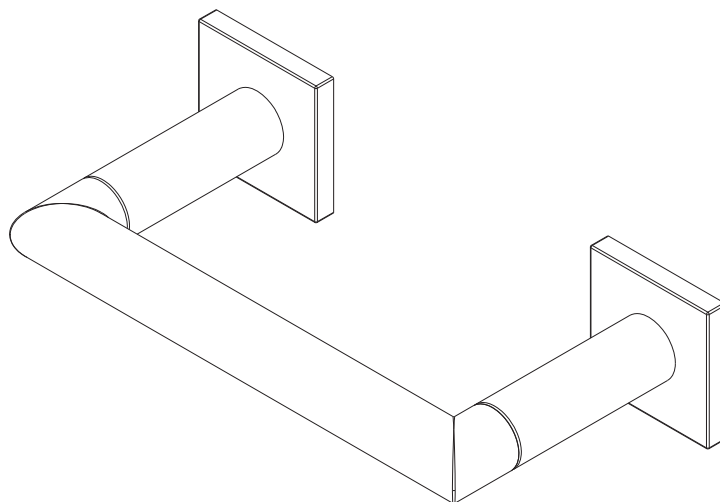
- Solid metal construction
- Double-post design with pivoting roller
- Complements Dyad product series

Toilet Tissue Holder 5308

Codes / Standards Compliance

Meets or exceeds the following at date of manufacture:

- All applicable US Federal and State material regulations



Colors / Finishes

- PC: Polished Chrome
- PN: Polished Nickel
- SN: Satin Nickel

Specified Model

Model	Description	Colors / Finishes
5308	Toilet Tissue Holder	<input type="checkbox"/> PC <input type="checkbox"/> PN <input type="checkbox"/> SN

Product Specification:

Add "Color / Finish" Suffix to Model Number Below

The Toilet Tissue Holder shall be made of solid metal construction and incorporate a double-post design utilizing a pivoting roller. Toilet Tissue Holder shall complement Ginger Dyad product series. Toilet Tissue Holder shall be Ginger Model 5308/_____.

5308

Product Dimensions *(units are in inches)*

