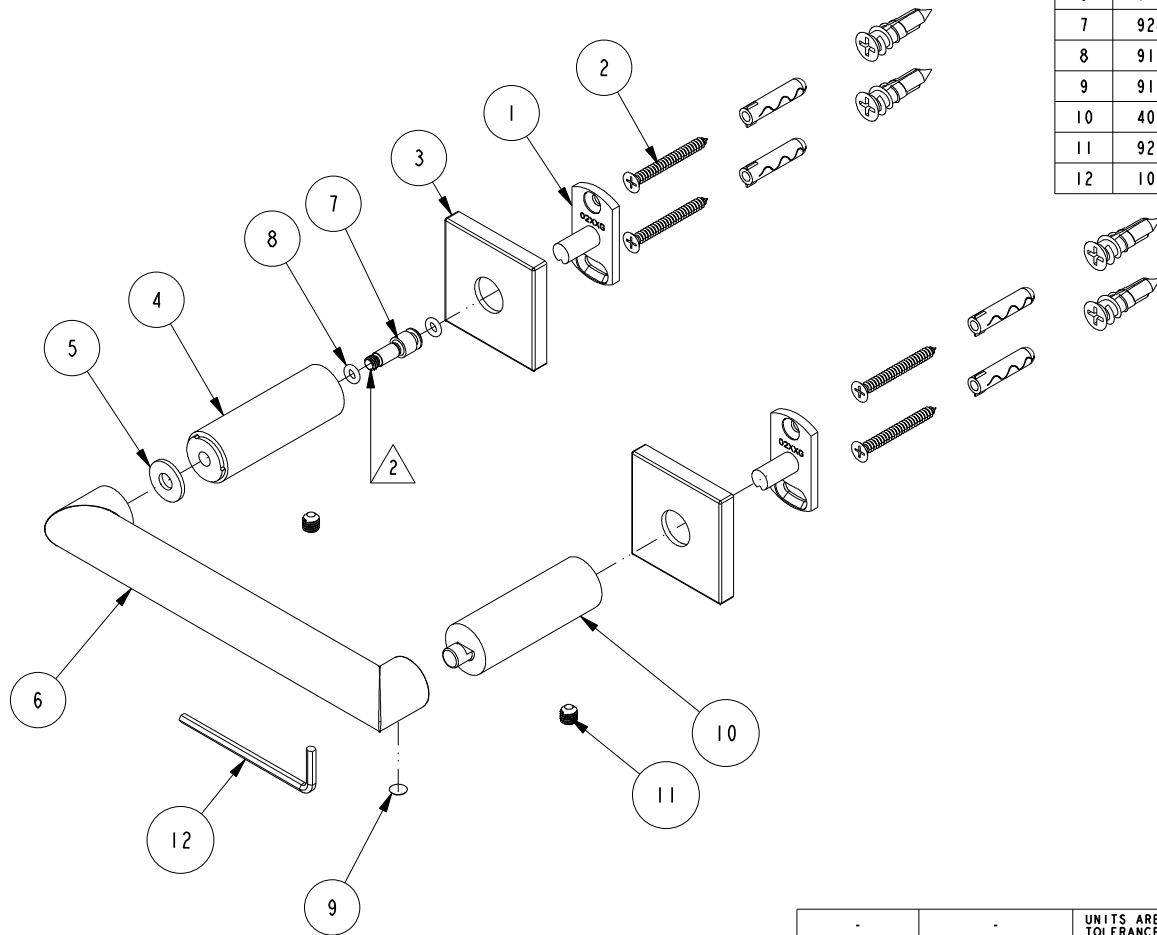


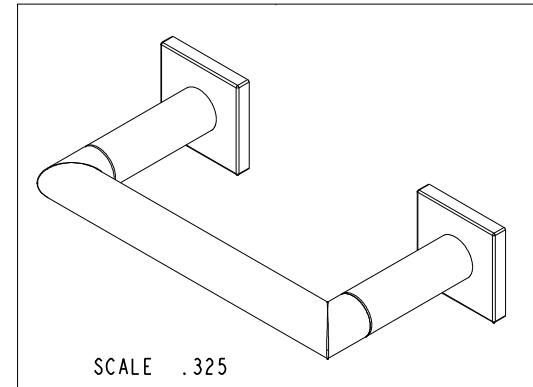
NOTES:

- (NI) 1. FIT / FORM / FUNCTION SHALL FOLLOW PS-E.008.
- 2. APPLY LOCTITE 680.
- 3. UPON ASSEMBLY 7-736 ARM TO SUSTAIN ITS OWN WEIGHT WHEN ROTATED



BILL OF MATERIAL (CURRENT LEVEL)

ITEM	PT/ASSY	DESCRIPTION	TYPE	QTY.
1	02XXG	MOUNTING BRACKET	PART	2
2	1-206	HARDWARE PACK	ASSEMBLY	2
3	40591	ROSETTE	PART	2
4	40688	PIVOTING TISSUE POST RIGHT	PART	1
5	91464	WSHR, .254 ID X .625 OD X .063 THK, FLT, ACETAL	PART	1
6	7-736	PIVOTING TISSUE ARM	PART	1
7	92893	PIVOT SCREW	PART	1
8	91098	O-RING, #2-007, EPDM, 65-75 DURO	PART	2
9	91254	POLY BUMPER PAD, DIA .250" X .062"	PART	1
10	40689	PIVOTING TISSUE POST LEFT	PART	1
11	92031	SCRW, M6 X 1 X 6 SKT HD CUP PT W/ SELF LOC SS	PART	2
12	10615	HEX KEY, 3MM ALLOY STEEL	PART	1



ZONE	REV	DESCRIPTION	DATE	APPROVED
-	C	EN-4150	03/31/20	R. S.
-	B	EN-4032	12/12/19	R. S.
-	A	EN-3735	06/19/19	J. M.
-	-	EN-2927	08/14/15	J. M.

COPYRIGHT 2005 BRASSTECH, INC. THESE DRAWINGS AND THE DESIGNS DEPICTED HEREIN ARE THE PROPRIETARY PROPERTY OF BRASSTECH. ANY USE OR REPRODUCTION IS SUBJECT TO THE EXPRESS APPROVAL OF BRASSTECH. UNAUTHORIZED USE IS STRICTLY PROHIBITED. ALL RIGHTS RESERVED.

TESTING	-	-	-
ASSEMBLY	-	-	-
PLATING	-	-	-
POLISHING	-	NEXT ASSY	USED ON
MACHINING	-	APPLICATION	
TOOLING FIXTURE #	REMOVE ALL BURRS AND SHARP EDGES		

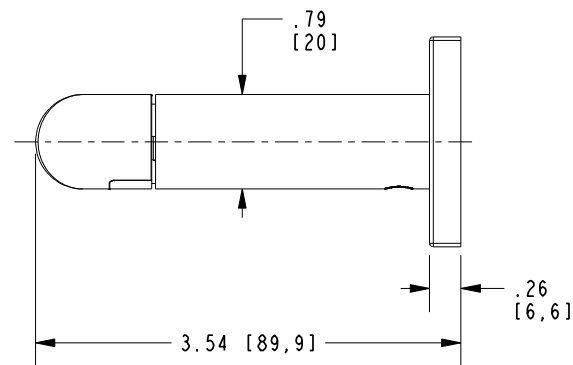
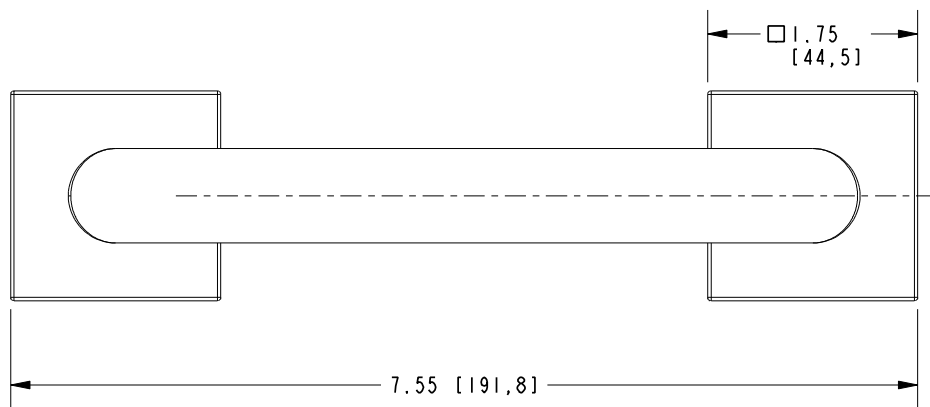
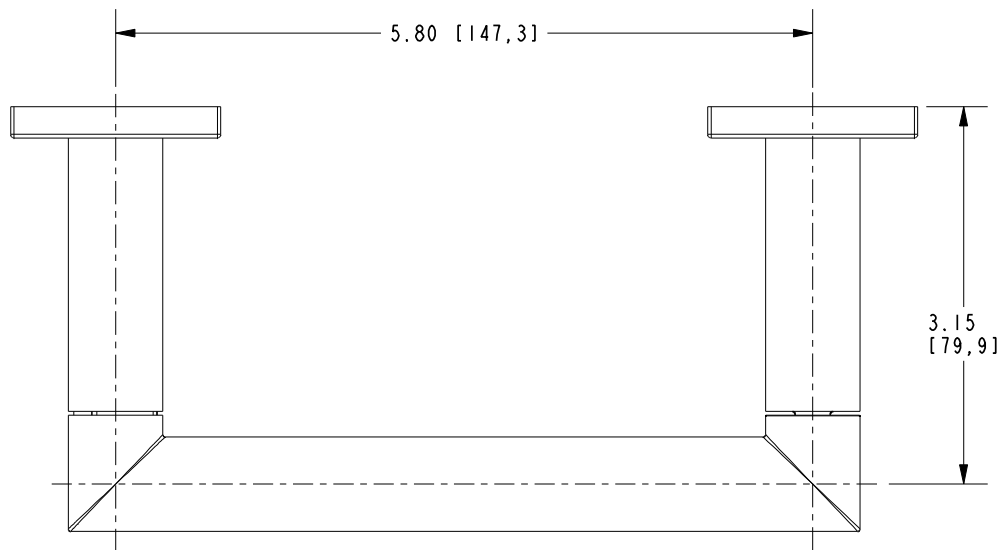
UNITS ARE: INCHES [MM]		
TOLERANCES ARE:		
FRACTIONS	DECIMALS	ANGLES
±1/16"	.X ±.1 [2.5]	±1°
	.XX ±.06 [1.5]	
(X.XXX) DENOTES CRITICAL DIMS. ALL THREADS ARE CRITICAL		
DRAWN	JIMSON	06/19/19
CHECKED	J.M.	06/19/19
APPROVED	J.M.	06/19/19

BRASSTECH 2001 CARNEGIE AVE. SANTA ANA, CA 92705 (949) 417-5207
INCORPORATED

PIVOTING TISSUE HOLDER

DWG NO. **5308** REV **C**

SCALE .375 REF. - SHEET 1 OF 2



BRASSTECH 2001 E. CARNEGIE AVE.
 INCORPORATED SANTA ANA, CA 92705
 (949) 417-5207

DWG NO.	5308	REV	C
SCALE	.625	REF.	-
SHEET 2		OF 2	