

**Open Towel Ring**  
**83-09**

**Features**

- Solid metal construction
- Single-post, horizontal pivot design with hanging, open ring
- Complements Newport 365 Prezlee product series



**Codes / Standards Compliance**

Meets or exceeds the following at date of manufacture:

- All applicable US Federal and State material regulations

**Colors / Finishes**

- 15: Polished Nickel
- 15S: Satin Nickel - PVD
- 26: Polished Chrome



**Specified Model**

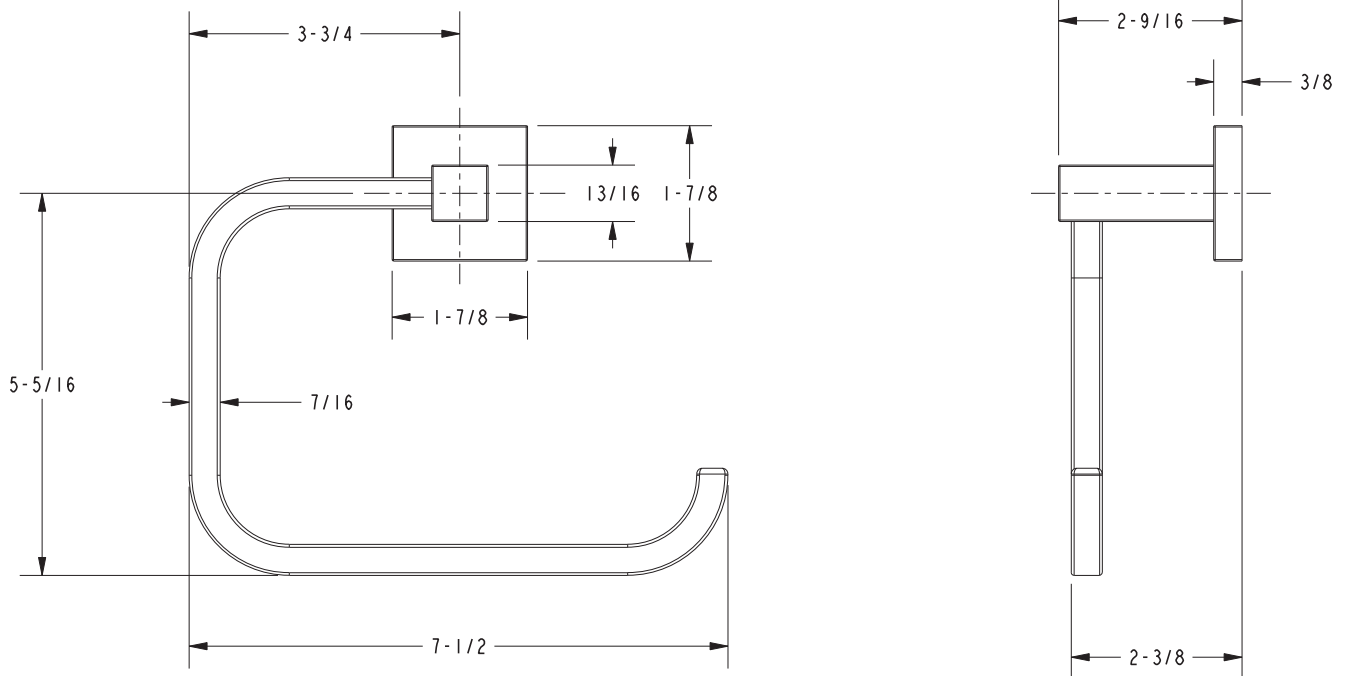
Model	Description	Colors   Finishes
83-09	Open Towel Ring	<input type="checkbox"/> 15 <input type="checkbox"/> 15S <input type="checkbox"/> 26

**Product Specification**   Add "Length Indicator and Color / Finish" suffix to Model number, below.

The Towel Ring shall be made of solid metal construction and incorporate a single-post, horizontal pivot design with hanging, open ring. Towel Ring shall complement Newport 365 Prezlee product series. Towel Ring shall be Newport 365 Model 83-09/\_\_\_\_\_.

# 83-09

## PRODUCT DIMENSIONS *(Units are in inches)*



Newport 365 Towel Ring  
**83-09**

**NEWPORT BRASS**  
Flawless Beauty. From Faucet to Finish.™