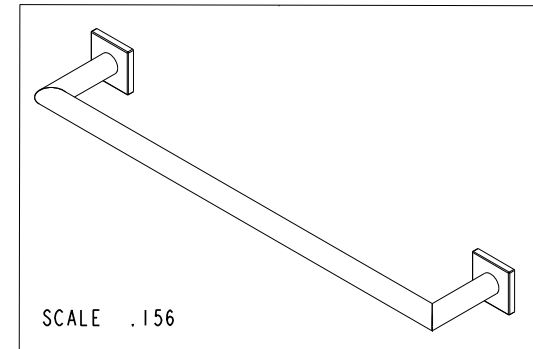
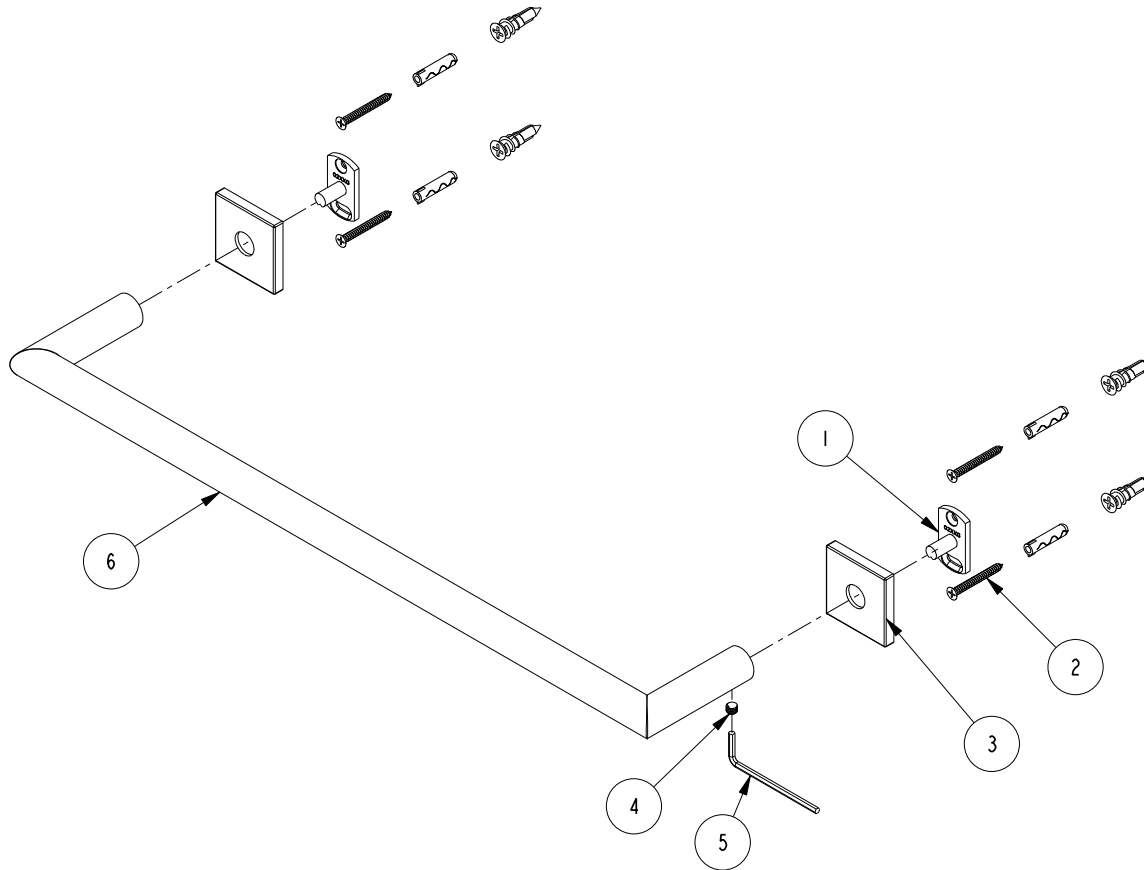


NOTES:

- (N1) 1. FIT / FORM / FUNCTION SHALL FOLLOW PS-E.008.
- (N2) 2. ITEMS 1, 3, 4 AND 6 ARE PRE-ASSEMBLED
- (N3) 3. PLACE ITEMS 2 AND 5 IN SEPARATE BAG

**BILL OF MATERIAL (CURRENT LEVEL)**

ITEM	PT/ASSY	DESCRIPTION	TYPE	QTY.
1	02XXG	MOUNTING BRACKET	PART	2
2	1-206	HARDWARE PACK	ASSEMBLY	2
3	40591	ROSETTE	PART	2
4	92461	SCRW, M6 X 1 X 6 SKT HD CONE PT SS	PART	2
5	10615	HEX KEY, 3MM ALLOY STEEL	PART	1
6	7-656	TOWEL BAR 18"	ASSEMBLY	1



TESTING	-	-	-	UNITS ARE: INCHES [MM]
ASSEMBLY	-	-	-	TOLERANCES ARE:
PLATING	-	-	-	FRACTIONS DECIMALS ANGLES
POLISHING	-	-	-	±1/16" .X ±.1 [2.5] ±1°
MACHINING	-	NEXT ASSY	USED ON	.XX ±.06 [1.5]
TOOLING	FIXTURE #	REMOVE ALL BURRS AND SHARP EDGES		(X.XXX) DENOTES CRITICAL DIMS. ALL THREADS ARE CRITICAL

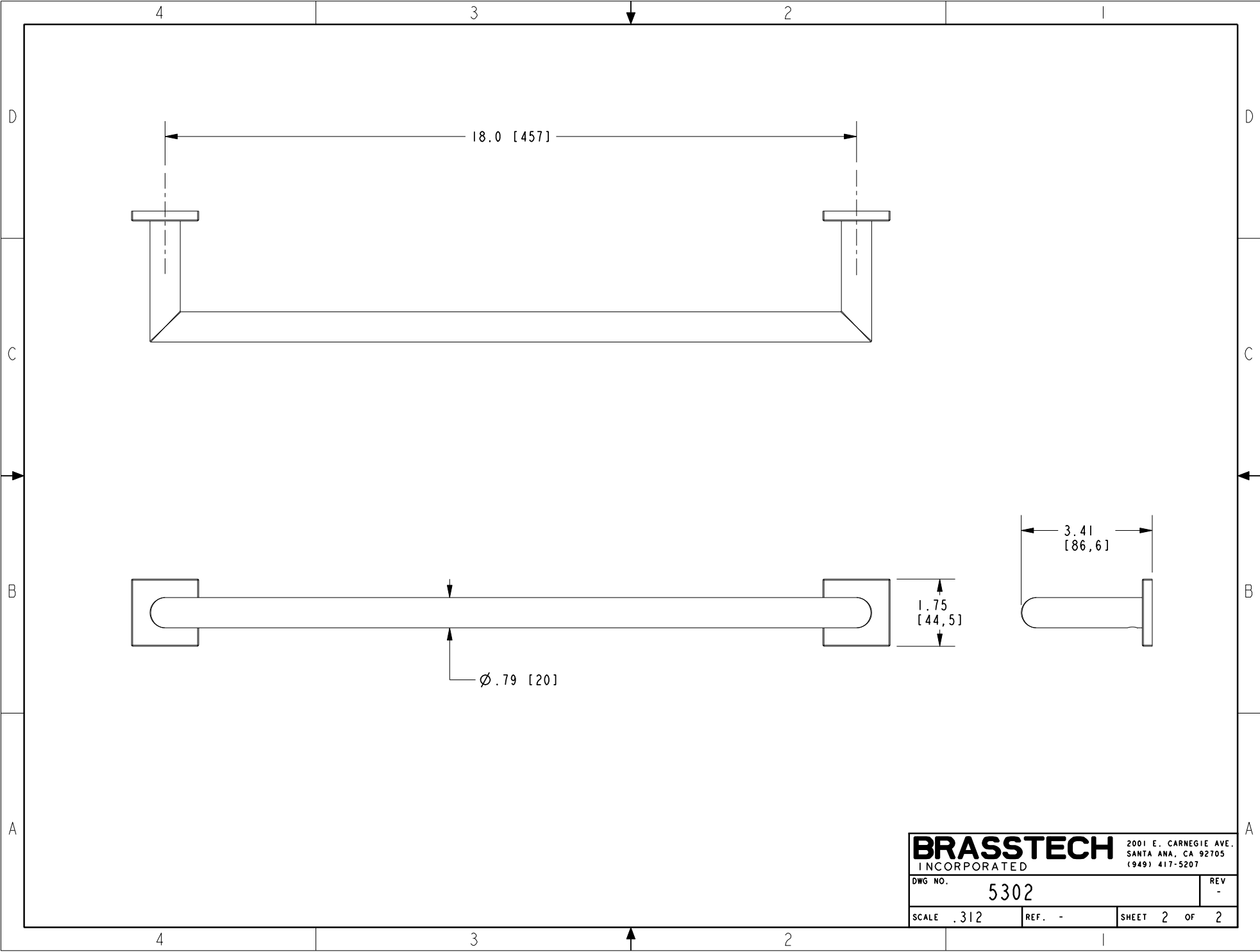
**BRASSTECH** 2001 CARNEGIE AVE.  
INCORPORATED SANTA ANA, CA 92705  
(949) 417-5207

18" TOWEL BAR

DWG NO.	5302	REV	-
SCALE	.250	REF.	-
SHEET	1	OF	2

COPYRIGHT 2005 BRASSTECH, INC.  
THESE DRAWINGS AND THE DESIGNS  
DEPICTED HEREIN ARE THE PROPRIETARY  
PROPERTY OF BRASSTECH. ANY USE  
OR REPRODUCTION IS SUBJECT TO  
THE EXPRESS APPROVAL OF BRASSTECH.  
UNAUTHORIZED USE IS STRICTLY  
PROHIBITED. ALL RIGHTS RESERVED.

EN-2927	08/14/15	J.M.
ZONE	REV	DESCRIPTION
		DATE
		APPROVED



<b>BRASSTECH</b>		2001 E. CARNEGIE AVE.	
INCORPORATED		SANTA ANA, CA 92705	
DWG NO. 5302		REV -	
SCALE .312	REF. -	SHEET 2 OF 2	