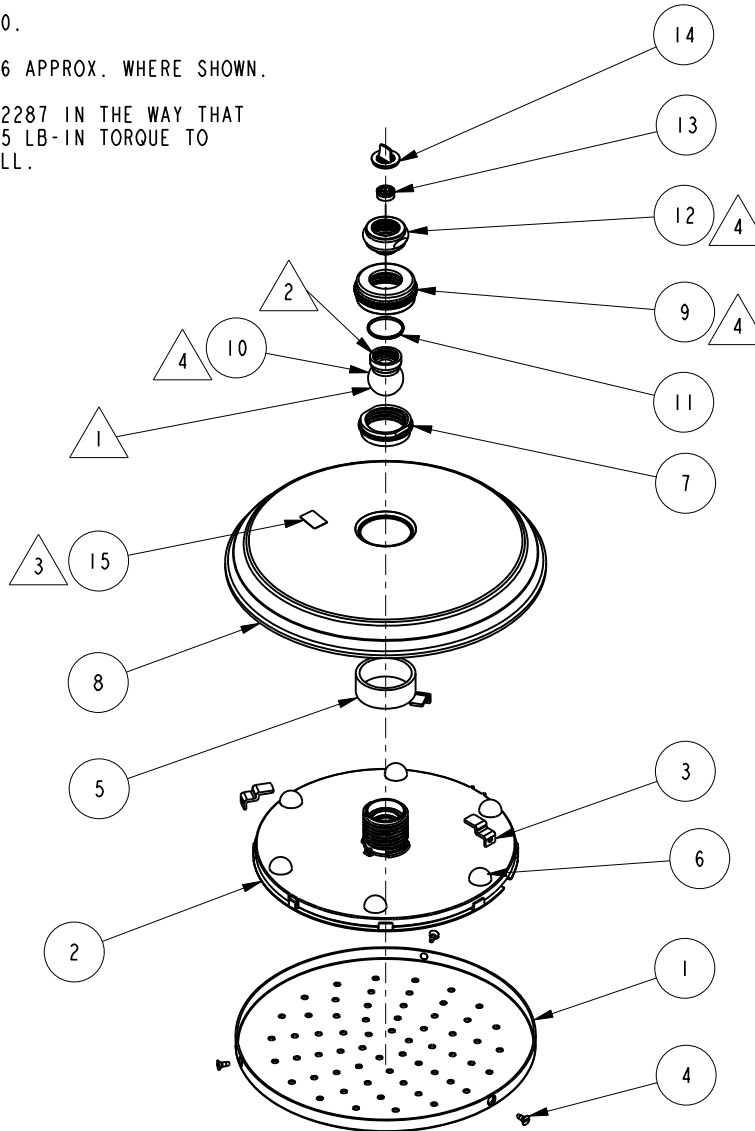


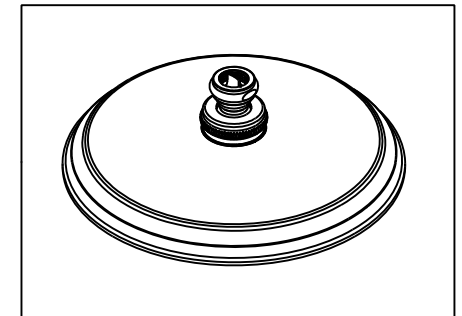
NOTES:

- 1. APPLY THIN FILM OF DOW CORNING 111.
- 2. APPLY LOCTITE 680.
- 3. AFFIX LABEL 98136 APPROX. WHERE SHOWN.
- 4. TIGHTEN THE NUT 12287 IN THE WAY THAT IT WILL TAKE 20-25 LB-IN TORQUE TO MOVE THE PIVOT BALL.



BILL OF MATERIAL (CURRENT LEVEL)

ITEM	PT/ASSY	DESCRIPTION	TYPE	QTY.
1	11391	FACE PLATE	PART	1
2	1-317	7.5 SHOWER ENGINE	ASSEMBLY	1
3	12291	TAB, FACE PLATE	PART	3
4	92283	SCRW, 6-32 X 5/16 SLT FLT HD SS	PART	3
5	12289	RAIN SHOWER SHELL SUPPORT	PART	1
6	91478	5/8" DIA POLYURETHANE BUMPER	PART	6
7	12288	RETAINING NUT	PART	1
8	11494	SHOWER HEAD SHELL	PART	1
9	12287	TRADITIONAL SHOWER SHELL NUT	PART	1
10	80150	PIVOT BALL	PART	1
11	91157	WSHR, .920 ID X 1.0 OD X .066 THK, FLT, R&BON	PART	1
12	80151	SHOWER SPOUT NUT	PART	1
13	11914	FLOW REGULATOR, 2.0 GPM MAX	PART	1
14	50187	WSHR RBR W/ DIFFUSER	PART	1
15	98136	LABEL, 2.0 GPM FLOW RATE	PART	1



H	EN-2671	1/13/14
G	EN-2629	10/18/13
F	EN-2431	02/06/13
E	EN-2297	10/04/12
D	EN-1668	04/05/11
C	EN-1256	06/16/09
B	EN-1256	06/03/09
A	EN-1212	04/17/09
-	EN-1129	10/23/08
REV	REV DESC	DATE

COPYRIGHT 2005 BRASSTECH, INC. THESE DRAWINGS AND THE DESIGNS DEPICTED HEREIN ARE THE PROPRIETARY PROPERTY OF BRASSTECH. ANY USE OR REPRODUCTION IS SUBJECT TO THE EXPRESS APPROVAL OF BRASSTECH. UNAUTHORIZED USE IS STRICTLY PROHIBITED. ALL RIGHTS RESERVED.

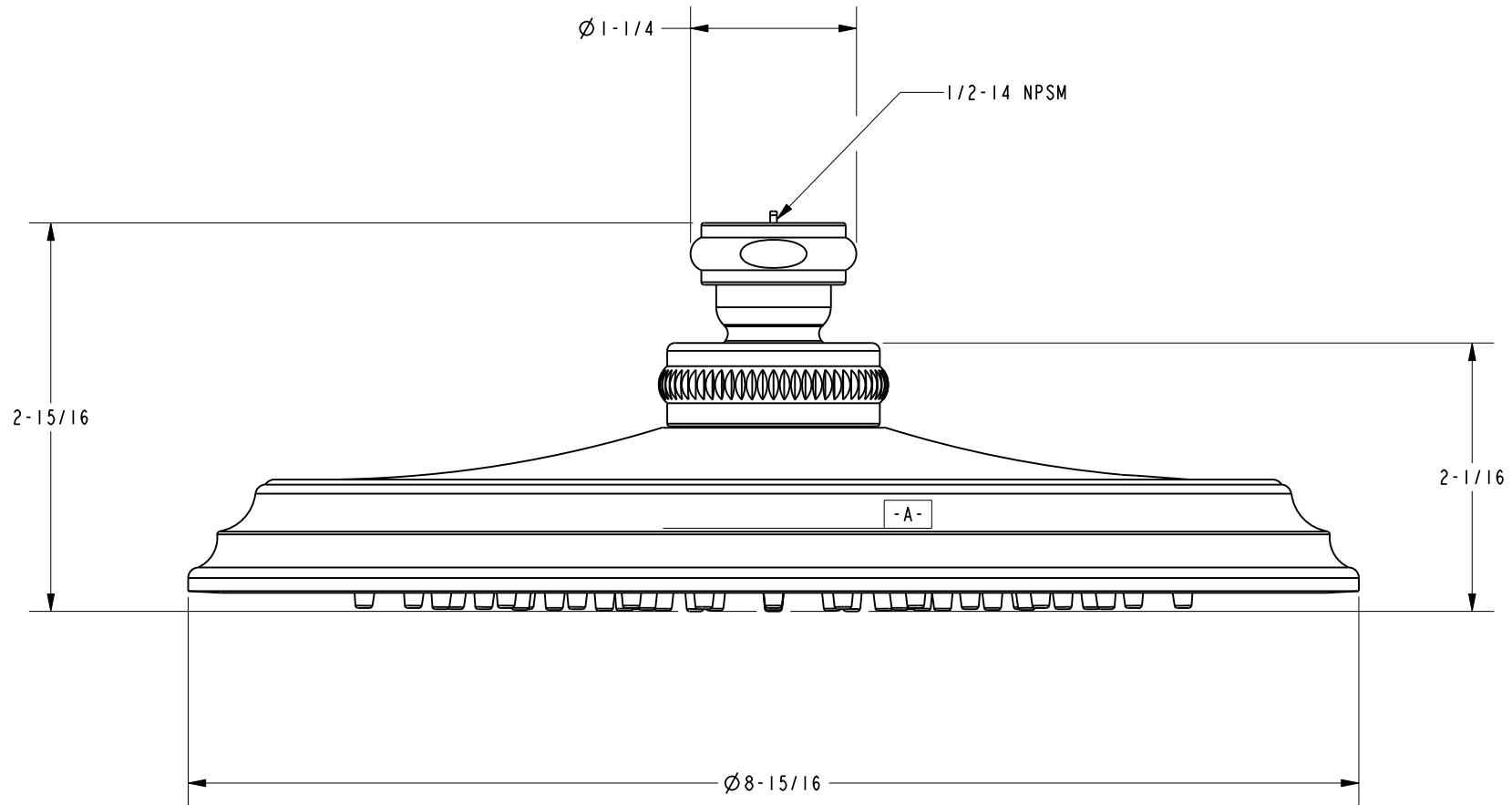
BRASSTECH
INCORPORATED
2001 E. CARNEGIE AVE.
SANTA ANA, CA 92705
(949) 417-5207

TRADITIONAL RAIN SHOWER HEAD

ASSY. NO.
2152

SCALE .156 REF. - SHEET 1 OF 2

SPECIFICATION DWG



DIMENSIONS ARE IN INCHES AND AN APPROXIMATION OF A TYPICAL INSTALLATION

COPYRIGHT 2005 BRASSTECH, INC. THESE DRAWINGS AND THE DESIGNS DEPICTED HEREIN ARE THE PROPRIETARY PROPERTY OF BRASSTECH. ANY USE OR REPRODUCTION IS SUBJECT TO THE EXPRESS APPROVAL OF BRASSTECH. UNAUTHORIZED USE IS STRICTLY PROHIBITED. ALL RIGHTS RESERVED.

BRASSTECH		2001 CARNEGIE AVE. SANTA ANA, CA 92705 (949) 417-5207	
INCORPORATED			
DWG NO.	2152	REV	H
SCALE .750	REF. -	SHEET 2 OF 2	