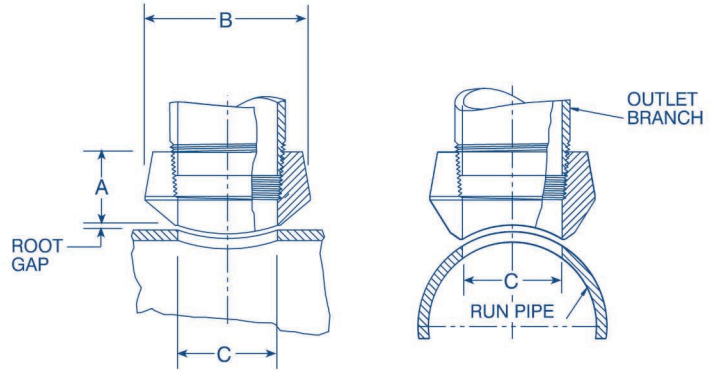


THREADED

CL 3000

CL 6000



CL 3000	Outlet Size Inches	Dimensions			Appx. Weight Pounds
		A	B	C	
	1/4	3/4	7/8	.438	0.14
	3/8	13/16	1	.563	0.14
	1/2	1	1-1/4	.703	0.28
	3/4	1-1/16	1-1/2	.906	0.39
	1	1-5/16	1-7/8	1.141	0.73
	1-1/4	1-5/16	2-1/4	1.484	0.96
	1-1/2	1-3/8	2-1/2	1.719	1.12
	2	1-1/2	3	2.188	1.66

CL 6000	Outlet Size Inches	Dimensions			Appx. Weight Pounds
		A	B	C	
	1/4	3/4	1	.438	0.14
	3/8	1-1/8	1-1/4	.563	0.14
	1/2	1-1/4	1-1/2	.703	0.28
	3/4	1-7/16	1-3/4	.906	0.39
	1	1-9/16	2-1/4	1.141	0.73
	1-1/4	1-5/8	2-1/2	1.484	0.96
	1-1/2	1-11/16	3	1.719	1.63
	2	2-1/16	3-5/8	2.188	1.66

Each outlet size listed is available to fit any run curvature.

Threaded ends are in accordance with ANSI/ASME B1.20.1

Design per MSS-SP-97.

RUN PIPE SIZES Outlet sizes noted above fit a number of run pipe sizes, and the fittings are marked accordingly. See page 31 for Pipet Consolidation Chart.

FLATS A flat Threaded Pipet for use on welding caps, elliptical heads and flat surfaces is available.

ORDERING When ordering a fitting, see page 4.

Although every attempt has been made to insure that the information contained in these tables is correct, WFI reserves the right to change the "B" and "C" dimensions as deemed necessary.