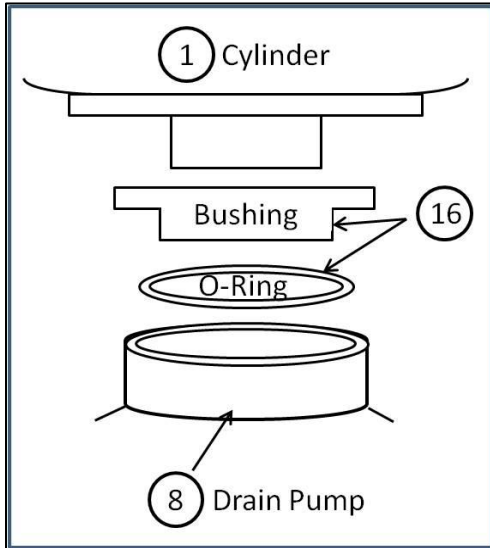
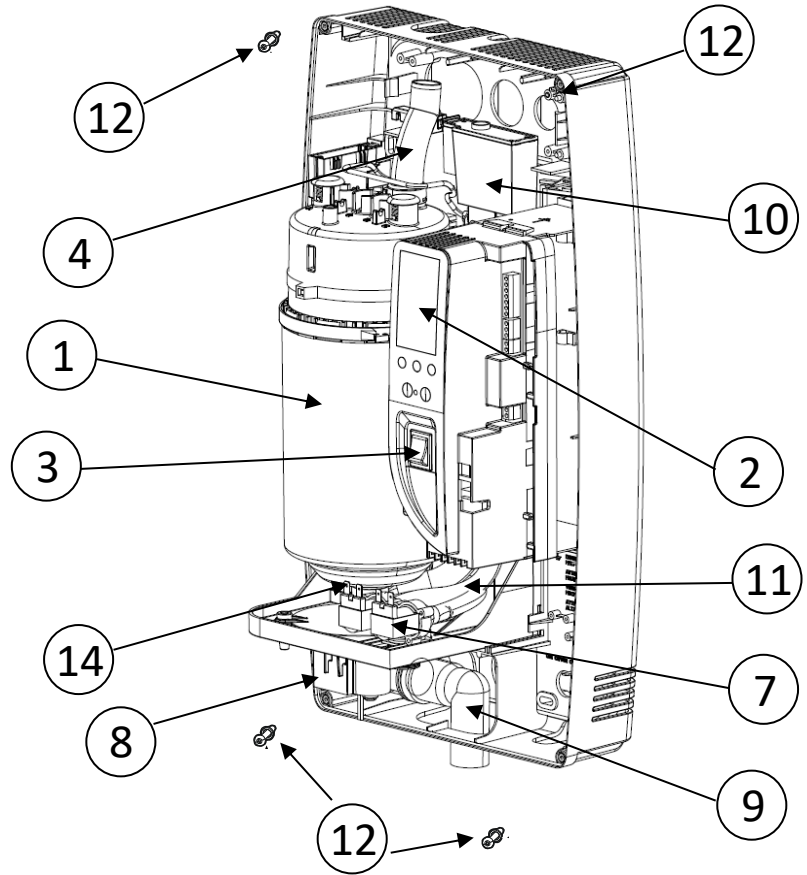


7.2 Replacement Parts

NS = Not Shown on Diagram



Expanded View of Bushing & O-Ring Placement



Item	USA GFI Part No.	CANADA CGF Part No.	Description
1			Steam Generator Cylinders
1	7523	GF-15-14	15-14 CYLINDER STD. CONDUCTIVITY 110/1 5.5 LBS/HR - DS15P, DS15
1	7524	GF-35-14	35-14 CYLINDER STD. CONDUCTIVITY 230/1 12 LBS/HR - DS25, DS25LC
1	7543	GF-35-15	35-15 CYLINDER LOW CONDUCTIVITY 230/1 12 LBS/HR - DS25, DS25LC
			Other Replacement Parts
2	7800	GF-25-1	25-1 CONTROL MODULE 5.4 kg/h 230V WITH DRAIN PUMP
	7801	GF-15-5	15-5 CONTROL MODULE 2.5 kg/h 110V WITH DRAIN PUMP
3	7551	GF-35-18	35-18 ON/OFF SWITCH FOR CH SERIES
4	7815	GF-25-12	25-12 STEAM CYLINDER HOSE ADAPTER
7	7802	GF-15-6	15-6 FILL SOLENOID + DRAIN TEMPERING VALVES 110 V FOR DRAIN PUMP
	7803	GF-25-3	25-3 FILL SOLENOID + DRAIN TEMPERING VALVES 230 V FOR DRAIN PUMP
8	7804	GF-15-7	15-7 KIT FOR DRAIN PUMP 110V
	7805	GF-25-7	25-7 KIT FOR DRAIN PUMP 230V
9	7542	GF-35-21	35-21 90 DEGREE DRAIN ADAPTER FOR CH SERIES
10	7806	GF-25-2	25-2 FILL TANK + PLUG FOR DRAIN PUMP
11	7808	GF-35-25	25-5 DUCT TUBING KIT FOR DRAIN PUMP
12	7553	GF-35-25	35-25 COVER HOLDING SCREWS FOR CH SERIES
14	7809	GF-25-6	25-6 BOTTOM TANK FOR DRAIN PUMP
16	7685	7685	BUSHING KIT FOR DS15 & DS25 ELITE STEAM HUMIDIFIERS (BUSHING & O-RING) (SEE EXPLODED VIEW TOP LEFT)
NS	7810	GF-25-8	25-8 DRAIN TANK + PLUG FOR DRAIN PUMP
NS	7811	GF-25-50	25-50 WIRING KIT FOR UNIT WITH DRAIN PUMP
NS	7552	GF-35-16	35-16 INTERNAL FILTER AND GASKET KIT FOR CYLINDER

NS = Not Showing