

Up to 14.0 SEER, 11.5 EER PACKAGE AIR CONDITIONER

208/230-1-60 Single Phase, 2-5 Nominal Tons (Sizes 24-60)

208/230-3-60 & 460-3-60 Three Phase, 3-5 Nominal Tons (Sizes 36-60)

REFRIGERATION CIRCUIT

- Environmentally balanced R-410A refrigerant
- Copper tube/aluminum fin condenser and evaporator coils
- Dehumidification mode (airflow reduction) on all models

EASY TO INSTALL AND SERVICE

- Installs easily on a rooftop or at ground level
- Easy three-panel accessibility for maintenance and installation
- Easily converts to down discharge applications

BUILT TO LAST

- High efficiency ECM indoor blower motor on all models
- Vertical condenser fan discharge
- Full perimeter steel base rails
- High pressure switch provides added reliability for the compressor
- 2" spacing wire grilles standard on single and 3-phase models (00)
- Single phase models with factory installed hail guard (3/8" spacing) wire grilles plus tin-coated copper evaporator coil (TP) (Models with factory installed options are identified with letters in the 11th and 12th positions in the model number)

LIMITED WARRANTY*

- 1 Phase PAD4 "E" Models
 - 3 year No Hassle Replacement™ limited warranty for tin-coated 'TP' models
 - 10 year parts limited warranty (including compressor and coils) with timely registration
 - 5 year parts limited warranty if not registered within 90 days of original installation
 - 3 Phase PAD4 "E" Models
 - 5 year compressor limited warranty
 - 1 year parts limited warranty
- * See warranty certificate for complete details and restrictions



Use of the AHRI Certified TM Mark indicates a manufacturer's participation in the program. For verification of certification for individual products, go to www.ahridirectory.org.



UNIT PERFORMANCE DATA					
Model Number	COOLING			Unit Dimensions Height x Width x Depth in (mm)	Operating Weight lbs (kg)
	Capacity BTU/h	SEER	EER		
208/230-1-60					
PAD424000K†OE	23,000	14.0	11.5	43 ³ / ₄ x 48 ³ / ₁₆ x 32 ⁵ / ₈ (1111 x 1224 x 829)	304 (138)
PAD430000K†OE	28,600	14.0	11.5	45 ³ / ₄ x 48 ³ / ₁₆ x 32 ⁵ / ₈ (1162 x 1224 x 829)	336 (152)
PAD436000K†OE	34,800	14.0	11.5	51 ³ / ₄ x 48 ³ / ₁₆ x 32 ⁵ / ₈ (1315 x 1224 x 829)	349 (158)
PAD442000K†OE	40,000	14.0	11.5	44 ³ / ₄ x 48 ¹ / ₄ x 44 ³ / ₁₆ (1137 x 1226 x 1123)	413 (187)
PAD448000K†OE	46,000	14.0	11.5	52 ³ / ₄ x 48 ¹ / ₄ x 44 ³ / ₁₆ (1340 x 1226 x 1123)	438 (199)
PAD460000K†OE	56,000	14.0	11.5	54 ³ / ₄ x 48 ¹ / ₄ x 44 ³ / ₁₆ (1391 x 1226 x 1123)	455 (206)
208/230-3-60					
PAD436000H^OE	34,800	14.0	11.5	51 ³ / ₄ x 48 ³ / ₁₆ x 32 ⁵ / ₈ (1315 x 1224 x 829)	349 (158)
PAD442000H^OE	41,000	14.0	11.5	44 ³ / ₄ x 48 ¹ / ₄ x 44 ³ / ₁₆ (1137 x 1226 x 1123)	413 (187)
PAD448000H^OE	47,000	14.0	11.5	52 ³ / ₄ x 48 ¹ / ₄ x 44 ³ / ₁₆ (1340 x 1226 x 1123)	438 (199)
PAD460000H^OE	57,000	14.0	11.5	54 ³ / ₄ x 48 ¹ / ₄ x 44 ³ / ₁₆ (1391 x 1226 x 1123)	455 (206)
460-3-60					
PAD436000L^OE	34,200	14.0	11.5	51 ³ / ₄ x 48 ³ / ₁₆ x 32 ⁵ / ₈ (1315 x 1224 x 829)	349 (158)
PAD442000L^OE	41,000	14.0	11.5	44 ³ / ₄ x 48 ¹ / ₄ x 44 ³ / ₁₆ (1137 x 1226 x 1123)	413 (187)
PAD448000L^OE	47,000	14.0	11.5	52 ³ / ₄ x 48 ¹ / ₄ x 44 ³ / ₁₆ (1340 x 1226 x 1123)	438 (199)
PAD460000L^OE	57,000	14.0	11.5	54 ³ / ₄ x 48 ¹ / ₄ x 44 ³ / ₁₆ (1391 x 1226 x 1123)	455 (206)

† 00 = No Options (All sizes), TP = Tin Plated Evaporator Main Tubes (24-60 sizes)
 ^ 00 = No Options (36-60 sizes)

MODEL NUMBER NOMENCLATURE

MODEL NOMENCLATURE											
MODEL SERIES	1	2	3	4	5,6	7,8,9	10	11,12	13	14	15
	P	A	D	4	36	000	K	00	0	E	1
P = Package											
A = Air Conditioner											
TYPE											
D = Standard											
TIER											
3 = 13											
4 = 14											
5 = 15											
SEER											
24 = 24,000 BTUH = 2 Tons											
30 = 30,000 BTUH = 2.5 Tons											
36 = 36,000 BTUH = 3 Tons											
42 = 42,000 BTUH = 3.5 Tons											
48 = 48,000 BTUH = 4 Tons											
60 = 60,000 BTUH = 5 Tons											
NOMINAL COOLING CAPACITY											
000 = No factory heat											
NOMINAL HEATING BTUH (input)											
K = 208/230-1-60											
H = 208/230-3-60											
L = 460-3-60											
VOLTAGE											
00 = No options											
TP = Tin Coated Copper Evap Main Tubes plus Stainless Steel Heat Exchanger (single phase)											
FACTORY INSTALLED OPTIONS											
0 = Standard											
FEATURE CODE											
Sales Model Digit											
Engineering Digit											

AHRI* CAPACITIES

Cooling Capacities and Efficiencies

UNIT SIZE	NOMINAL TONS	STANDARD CFM	COOLING CAPACITY	EER	SEER
24	2	800	23000	11.5	14.0
30	2.5	1000	28600	11.5	14.0
36	3	1150	34800	11.5	14.0
42	3.5	1350	40000	11.5	14.0
48	4	1550	46000	11.5	14.0
60	5	1750	56000	11.5	14.0

LEGEND

dB—Sound Levels (decibels)

db—Dry Bulb

SEER—Seasonal Energy Efficiency Ratio

wb—Wet Bulb

COP—Coefficient of Performance

* Air Conditioning, Heating & Refrigeration Institute.

**At "A" conditions—80°F (26.7°C) indoor db/67°F (19.4°C) indoor wb & 95°F (35°C) outdoor db.

† Rated in accordance with U.S. Government DOE Department of Energy) test procedures and/or AHRI Standards 210/240.

Notes:

1. Ratings are net values, reflecting the effects of circulating fan heat.

Ratings are based on:

Cooling Standard: 80°F (26.7°C) db, 67°F wb (19.4°C) indoor entering—air temperature and 95°F db (35°C) outdoor entering—air temperature.

2. Before purchasing this appliance, read important energy cost and efficiency information available from your retailer.

A-Weighted Sound Power Level (dBA)

UNIT SIZE	SOUND RATING	TYPICAL OCTAVE BAND SPECTRUM (dBA without tone adjustment)						
		125	250	500	1000	2000	4000	8000
24	73	54.3	61.3	55.2	54.8	57.1	53.6	43.1
30	73	58.1	59.4	61.2	64.1	59.2	56.8	50.9
36	74	58.7	62.8	65.7	67.8	63.7	58.9	51.7
42	74	54.4	59.0	61.2	62.1	58.9	53.5	46.7
48	73	57.1	57.6	60.5	62.7	58.2	56.4	50.7
60	76	64.4	59.7	59.6	60.6	59.8	55.5	47.8

NOTE: Tested in accordance with AHRI Standard 270-1995 (not listed in AHRI).

PHYSICAL DATA

UNIT SIZE	24	30	36	42	48	60
NOMINAL CAPACITY (ton)	2	2-1/2	3	3-1/2	4	5
SHIPPING WEIGHT lb.	329	361	390	455	480	497
SHIPPING WEIGHT (kg)	149	164	177	206	218	225
COMPRESSORS	Rotary	Reciprocating	Scroll			
Quantity	1					
REFRIGERANT (R-410A)						
Quantity lb	5.3	5.5	8.2	6.2	9.2	9.8
Quantity (kg)	2.4	2.5	3.7	2.8	4.2	4.5
REFRIGERANT METERING DEVICE	Orifice		TXV	Orifice		
ORIFICE ID in./mm	.059 / 1.5	.061 / 1.55	N/A	.073 / 1.85	.080 / 2.03	.084 / 2.14
OUTDOOR COIL						
Rows...Fins/in.	1...21	1...21	1...21	1...21	1...21	1...21
Face Area (sq ft)	11.9	13.6	18.8	13.6	21.4	23.3
OUTDOOR FAN						
Nominal Cfm	2500	2700	3200	3600	3600	4200
Diameter in.	24	24	24	26	26	26
Diameter (mm)	609.6	609.6	609.6	660.4	660.4	660.4
Motor Hp (Rpm)	1/12 (810)	1/10 (810)	1/5 (810)	1/5 (810)	1/5 (810)	1/5 (810)
INDOOR COIL						
Rows...Fins/in.	3...17	3...17	3...17	3...17	3...17	3...17
Face Area (sq ft)	3.7	3.7	3.7	4.7	4.7	5.6
INDOOR BLOWER						
Nominal Cooling Airflow (Cfm)	800	1000	1150	1350	1550	1750
Size in.	10x10	10x10	11x10	11x10	11x10	11x10
Size (mm.)	254x254	254x254	279.4x254	279.4x254	279.4x254	279.4x254
Motor HP (RPM)	1/2 (1050)	1/2 (1050)	3/4 (1000)	1/2 (1075)	1.0 (1075)	1.0 (1040)
HIGH-PRESSURE SWITCH (psig) Cut-out Reset (Auto)	650 +/- 15 420 +/- 25					
LOSS-OF-CHARGE / LOW-PRESSURE SWITCH (psig) cut-out Reset (auto)	20 +/- 5 45 +/- 10	N/A				
RETURN-AIR FILTERS†‡	2 each 20x12x1 508x305x25			1 each 24x14x1 610x356x25 24x15x1 610x406x25		1 each 24x16x1 610x406x25 24x18x1 610x457x25

† Required filter sizes shown are based on the larger of the AHRI (Air Conditioning Heating and Refrigeration Institute) rated cooling airflow or the heating airflow velocity of 300 to 350 ft/minute for throwaway type or 450 ft/minute for high-capacity type. Air filter pressure drop for non-standard filters must not exceed 0.08 in. W.C.

‡ If using accessory filter rack refer to the filter rack installation instructions for correct filter sizes and quantity.

Electric Heat Pressure Drop Tables (IN. W.C.)

Small Cabinet: 24-36

STATIC	CFM											
	500	600	700	800	900	1000	1100	1200	1300	1400	1500	1600
5 kW	0.00	0.00	0.00	0.00	0.00	0.00	0.00	0.00	0.02	0.04	0.06	0.07
10 kW	0.00	0.00	0.00	0.00	0.00	0.02	0.04	0.06	0.07	0.09	0.10	0.11
15 kW	0.00	0.00	0.00	0.02	0.04	0.06	0.08	0.10	0.12	0.14	0.16	0.18
20 kW	0.00	0.00	0.02	0.04	0.06	0.08	0.09	0.11	0.13	0.15	0.17	0.19

Large Cabinet: 42-60

STATIC	CFM														
	1100	1200	1300	1400	1500	1600	1700	1800	1900	2000	2100	2200	2300	2400	2500
5 kW	0.00	0.00	0.00	0.01	0.02	0.03	0.04	0.05	0.06	0.07	0.08	0.09	0.10	0.11	0.12
10 kW	0.00	0.00	0.01	0.02	0.03	0.04	0.05	0.06	0.07	0.08	0.09	0.10	0.11	0.12	0.13
15 kW	0.00	0.02	0.03	0.04	0.05	0.06	0.07	0.08	0.09	0.10	0.11	0.12	0.13	0.14	0.15
20 kW	0.02	0.03	0.04	0.05	0.06	0.07	0.08	0.09	0.10	0.11	0.12	0.13	0.14	0.15	0.16

OPTIONS AND ACCESSORIES

ITEM	DESCRIPTION	FACTORY INSTALLED OPTION	FIELD INSTALLED ACCESSORY
Compressor Start Kit	Compressor Start Kit assists compressor start-up by providing additional starting torque on single phase units only.		X
Corporate Thermostats	Thermostats provide control for the system heating and cooling functions.		X
Crankcase Heater	Crankcase Heater provides anti-floodback protection for low-load cooling applications.		X
Economizer	Horizontal Economizer with solid state controls and barometric relief dampers includes filter racks and provide outdoor air during cooling and reduce compressor operation.		X
	Vertical Economizer with solid state controls and barometric relief dampers includes filter racks and provide outdoor air during cooling and reduce compressor operation.		X
Electric Heaters	Electric Heat Supplement		X
Filter Rack	Filter Rack features easy installation, serviceability, and high-filtering performance for vertical applications. Includes 1-in. filter.		X
Flat Roof Curbs	Flat Roof Curbs in both 11-in (279 mm) and 14-in. (356 mm) sizes are available for roof mounted applications.		X
Low Ambient Kit	Low Ambient Kit (Motormaster II Control) allows the use of mechanical cooling down to outdoor temperatures as low as 0°F (-18°C) when properly installed.		X
Manual Outside Air Damper	Manual Outside Air Damper includes hood and filter rack with adjustable damper blade for up to 25% outdoor air.		X
Square-to-Round Duct Transition Kit	Square-to-Round Duct Transition Kit enable 24-48 size units to be fitted to 14 in (356 mm). round ductwork.		X
Dual Point Electric Heaters	Allows you to power the electric heater and unit contactor separately by having two individual field power supply circuits connected respectively.		X
Outdoor Coil Dense Metal Wire Grille	3/8" spacing Dense Metal Wire Grille provide hail and vandalism protection. Factory installed on TP.	X	X
Low Pressure Switch Kit	This kit is designed for use when a low pressure control is desired.		X

Electric Heaters

CATALOG ORDERING NO.	NOMINAL CAPACITY (kW)	FUUSE QTY	USED WITH SIZES					
			24	30	36	42	48	60
ELECTRIC HEATERS (208/230 — SINGLE PHASE — 60 Hz)								
CPHEATER052A0*	5.0	—	X	X	X	X	X	X
CPHEATER064A0*	5.0	4	X	X	X	X	X	X
CPHEATER069A0*	7.2	—	X	X	X	X	X	X
CPHEATER070A0*	7.2	4	X	X	X	X	X	X
CPHEATER065A0*	10.0	—	X	X	X	X		
CPHEATER050A0*	10.0	4	X	X	X	X	X	X
CPHEATER051A0*	15.0	4		X	X	X		
CPHEATER066A0*	15.0	6		X	X	X	X	X
CPHEATER053A0*	20.0	6				X		
CPHEATER054A0*	20.0	6				X	X	X
ELECTRIC HEATERS (208/230 — THREE PHASE — 60 Hz)								
CPHEATER055A0*	5.0	—			X	X	X	X
CPHEATER056A0*	10.0	—			X	X	X	X
CPHEATER068A0*	10.0	6			X	X	X	X
CPHEATER057A0*	15.0	—			X	X	X	X
CPHEATER058A0*	15.0	6			X	X	X	X
CPHEATER059A0*	20.0	6					X	X
ELECTRIC HEATERS (460 — THREE PHASE — 60 Hz)								
CPHEATER061A0*	10.0	—			X	X	X	X
CPHEATER062A0*	15.0	—			X	X	X	X
CPHEATER063A0*	20.0	—				X	X	X

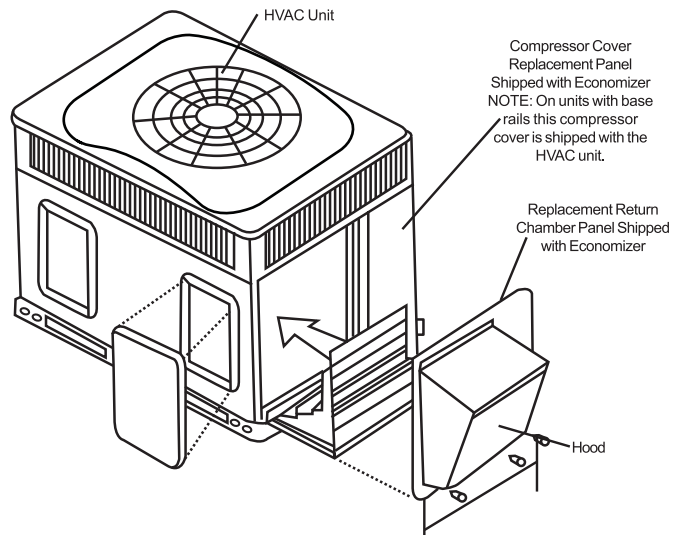
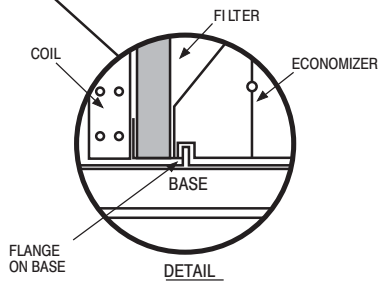
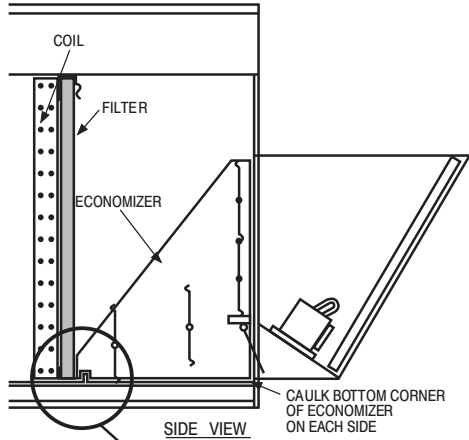
NOTE: Electric heaters are rated at 240v. Refer to Multiplication Factors table for other voltages.

X = Approved combinations.

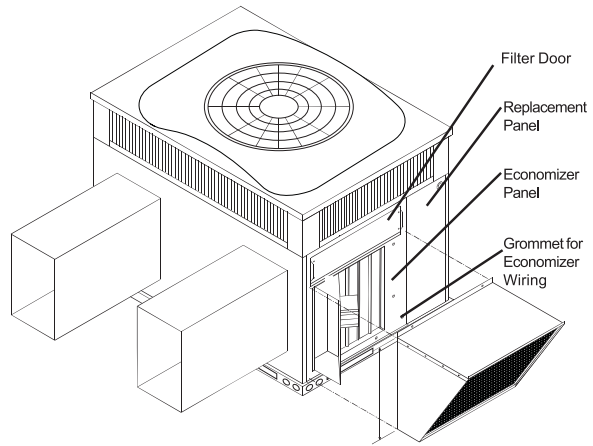
Minimum Airflow for Safe Electric Heater Operation (CFM)

SIZE	24	30	36	42	48	60
Cfm	800	1000	1200	1400	1600	1750

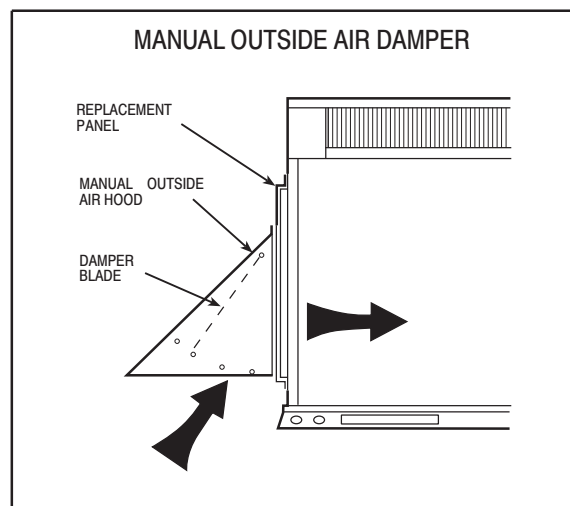
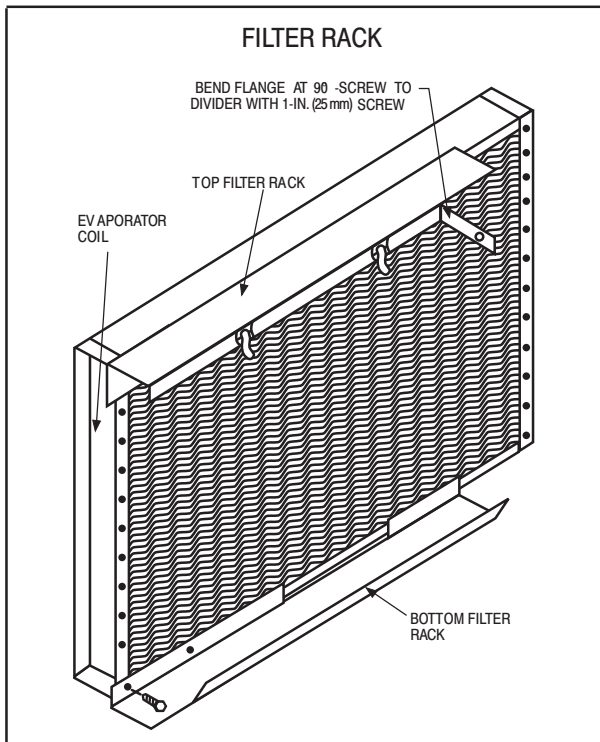
ECONOMIZER



Vertical Economizer



Horizontal Economizer

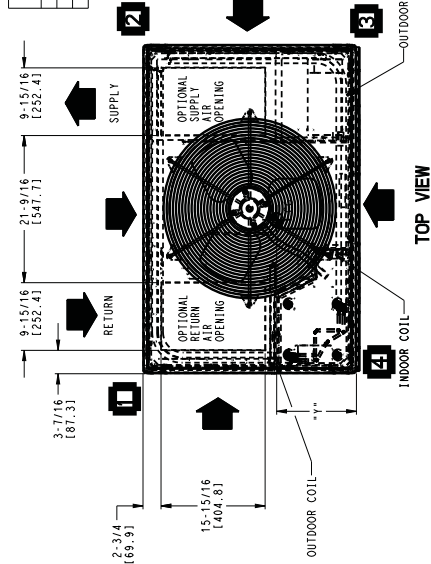


A09375

UNIT DIMENSIONS – 24–36

UNIT	ELECTRICAL CHARACTERISTICS			UNIT HEIGHT IN/MM			CENTER OF GRAVITY IN/MM				
	UNIT	LB	KG	Y	X	Z	Y	X	Z		
PAD24000K(L00/TP)OE1	208/230-1-60	304	138.0	43-3/4	1111	20-1/2	520.7	15-3/4	400.1	16-5/8	422.3
PAD30000K(L00/TP)OE1	208/230-1-60	336	152.0	45-3/4	1162	20-1/2	520.7	15-3/4	400.1	16-5/8	422.3
PAD36000K(R/H/L00/TP)OE1	208/230-1-60, 208/230-3-60, 460-3-60	349	158.0	51-3/4	1315	20-1/2	520.7	15-3/4	400.1	17-3/8	441.3

UNIT	CORNER WEIGHT LBS/KG		
	"1"	"2"	"4"
24	208/230 45.6	20.7	60.8
30	208/230 50.4	22.9	67.2
36	208/230/460 52.4	23.7	69.8



REQUIRED CLEARANCES TO COMBUSTIBLE UNIT.

TOP OF UNIT.....14 [355.6]
 DUCT SIDE OF UNIT.....2 [50.8]
 SIDE OPPOSITE DUCTS.....4 [101.6]
 ELECTRICAL PANEL.....36 [914.4]

NEC REQUIRED CLEARANCES

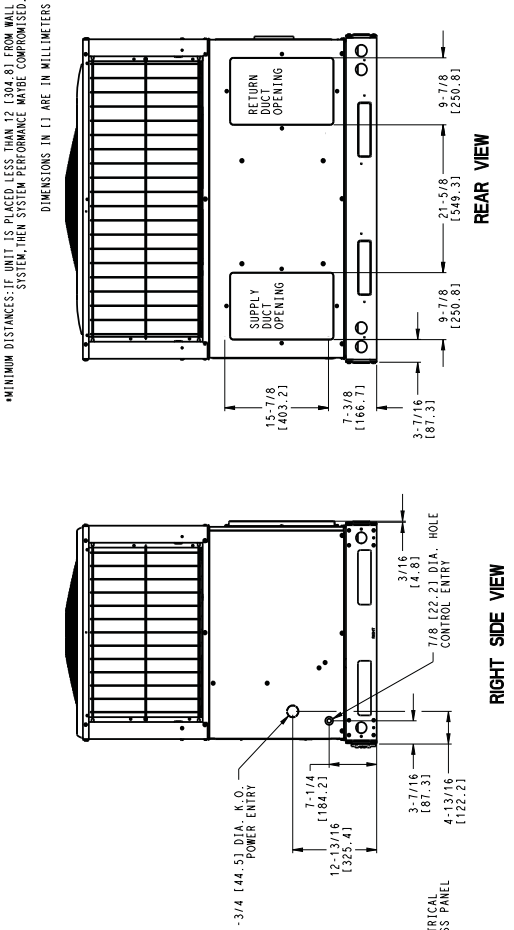
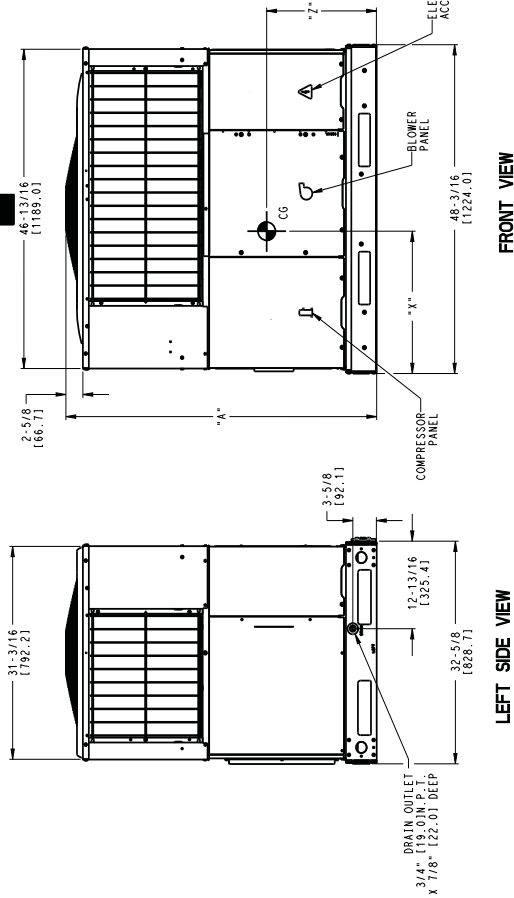
BETWEEN UNITS, POWER ENTRY SIDE.....42 [1066.8]
 UNIT AND UNGROUNDED SURFACES, POWER ENTRY SIDE.....36 [914.0]
 UNIT AND BLOCK OR CONCRETE WALLS AND OTHER GROUNDED SURFACES, POWER ENTRY SIDE.....42 [1066.8]

REQUIRED CLEARANCE FOR OPERATION AND SERVICING

FWP, COIL ACCESS SIDE.....36 [914.0]
 PWR, COIL ACCESS SIDE.....42 [1066.8]
 (EXCEPT FOR NEC REQUIREMENTS)
 UNIT TOP.....48 [1219.2]
 SIDE OPPOSITE DUCTS.....36 [914.0]
 DUCT PANEL.....12 [304.8]

***MINIMUM DISTANCES: IF UNIT IS PLACED LESS THAN 12 [304.8] FROM WALL SYSTEM, THEN SYSTEM PERFORMANCE MAYBE COMPROMISED.**

DIMENSIONS IN IT ARE IN MILLIMETERS

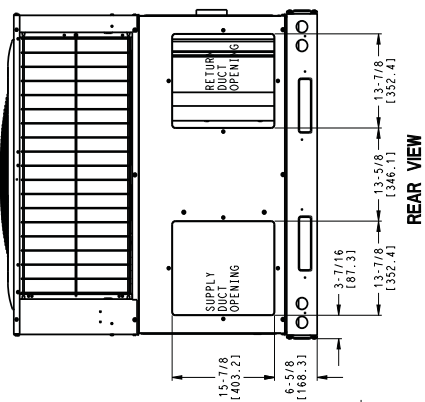
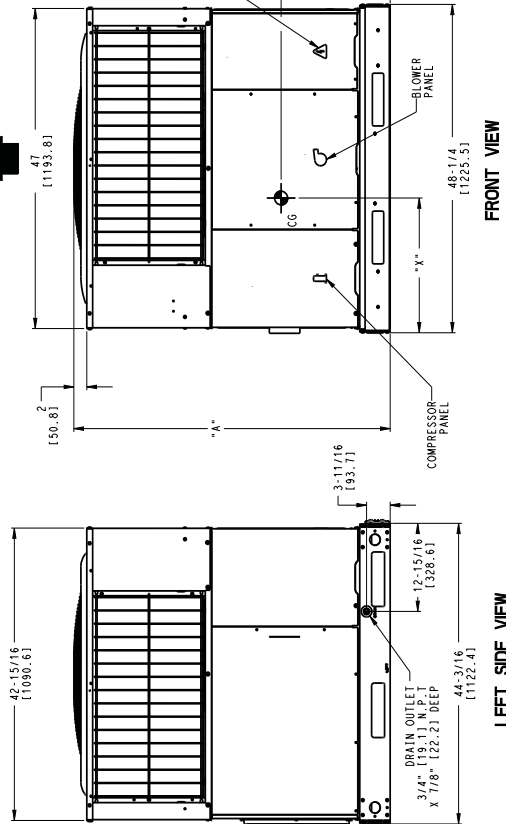
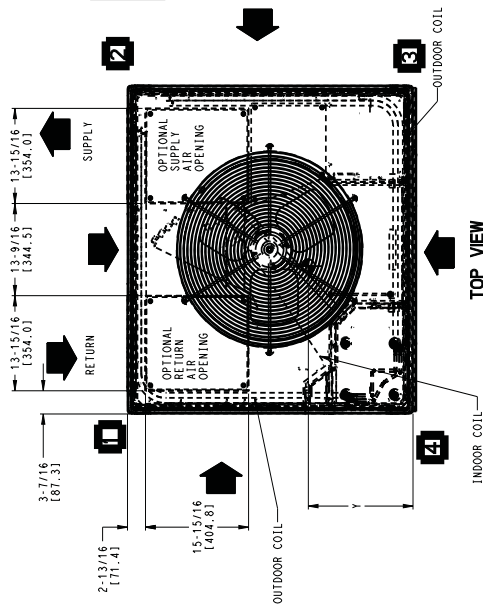


50CY502936

UNIT DIMENSIONS - 42-60

UNIT	ELECTRICAL CHARACTERISTICS			UNIT HEIGHT IN/MM			CENTER OF GRAVITY IN/MM		
	UNIT VOLTAGE	1" CORNER WEIGHTS LB/AG	2" CORNER WEIGHTS LB/AG	LB	KG	"A"	X	Y	Z
PAD42000(K/H/L)(O07/TP)0E1	208/230/460	82.0	28.1	82.6	37.5	123.9	56.2	144.6	65.6
PAD48000(K/H/L)(O07/TP)0E1	208/230/460	85.7	29.8	81.6	39.7	131.4	59.6	153.3	69.5
PAD460000(K/H/L)(O07/TP)0E1	208/230/460	88.3	31.0	91.0	41.3	136.5	61.9	159.3	72.2

UNIT	VOLTAGE	1" CORNER WEIGHTS LB/AG	2" CORNER WEIGHTS LB/AG	3" CORNER WEIGHTS LB/AG	4" CORNER WEIGHTS LB/AG
42	208/230/460	82.0	28.1	82.6	37.5
48	208/230/460	85.7	29.8	81.6	39.7
60	208/230/460	88.3	31.0	91.0	41.3



50CY502937

REQUIRED CLEARANCES TO COMBUSTIBLE MATL.

	INCHES [MM]
TOP OF UNIT	4 [102.5]
DUCT SIDE OF UNIT	2 [50.8]
SIDE OPPOSITE DUCTS	14 [355.6]
BOTTOM OF UNIT	0 [0.0]
ELECTRICAL PANEL	36 [914.4]

NEC REQUIRED CLEARANCES

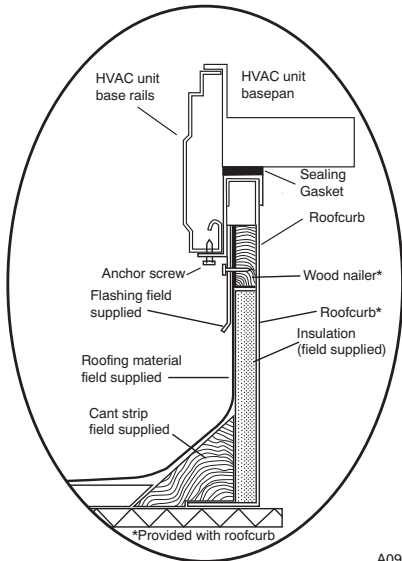
	INCHES [MM]
BETWEEN UNITS, POWER ENTRY SIDE	12 [304.8]
UNIT AND UNGROUNDED SURFACES - POWER ENTRY SIDE	36 [914.4]
UNIT AND BLOCK OR CONCRETE WALLS AND OTHER GROUNDED SURFACES, POWER ENTRY SIDE	42 [1066.8]

REQUIRED CLEARANCE FOR OPERATION AND SERVICING

	INCHES [MM]
EVAP. COIL ACCESS SIDE	36 [914.4]
COMPRESSOR ACCESS SIDE	36 [914.4]
EXCEPT FOR REFRIG. REQUIREMENTS	42 [1066.8]
UNIT TOP	48 [1219.2]
SIDE OPPOSITE DUCTS	36 [914.0]
DUCT PANEL	12 [304.8]

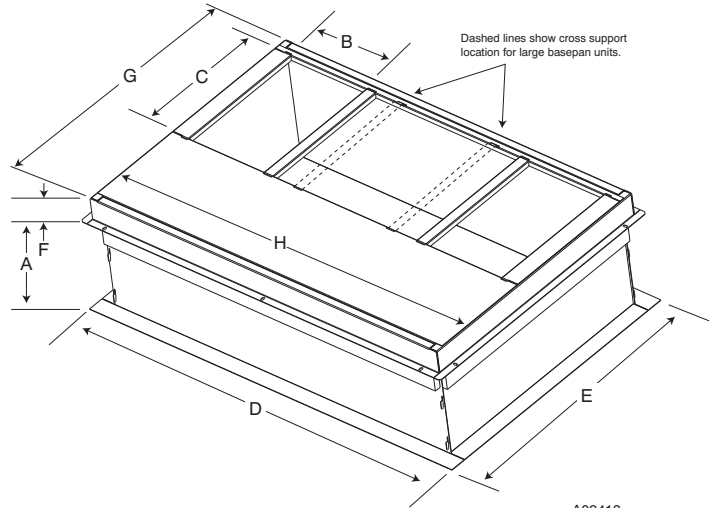
*MINIMUM DISTANCES: IF UNIT IS PLACED LESS THAN 12 [304.8] FROM WALL SYSTEM, THEN SYSTEM PERFORMANCE MAYBE COMPROMISED. DIMENSIONS IN () ARE IN MM.

ROOF CURB ACCESSORY – 24-60



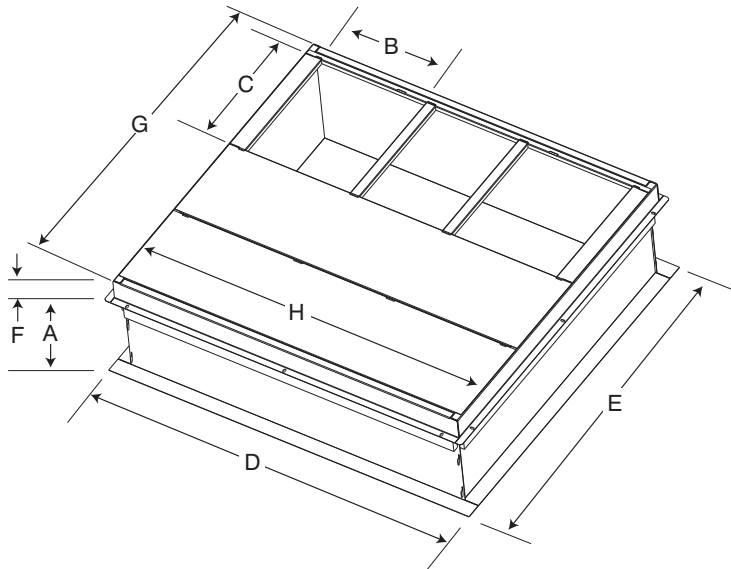
A09090

ROOF CURB DETAIL



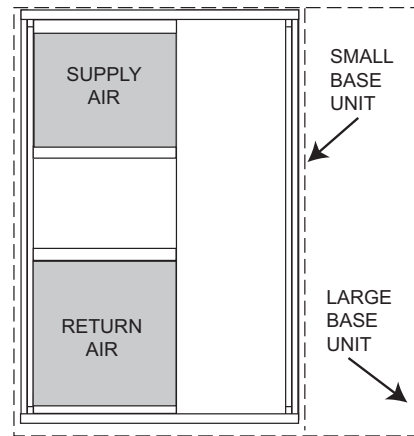
SMALL/COMMON CURB

A09413



LARGE CURB

A09415



UNIT PLACEMENT ON COMMON CURB

A09094

SMALL OR LARGE BASE UNIT

A09414

UNIT SIZE	CATALOG NUMBER	A IN. (mm)	B (small/common base) IN. (mm)*	B (large base) IN. (mm)*	C IN. (mm)	D IN. (mm)	E IN. (mm)	F IN. (mm)	G IN. (mm)	H IN. (mm)
Small or Large	CPRFCURB011A00	14 (356)	10 (254)	14 (356)	16 (406)	47.8 (1214)	32.4 (822)	2.7 (69)	30.6 (778)	46.1 (1170)
							43.9 (1116)			
Large	CPRFCURB013A00	14 (356)	14 (356)							

* Part Numbers CPRFCURB011A00 can be used on both small and large basepan units. The cross supports must be located based on whether the unit is a small basepan or a large basepan.

NOTES:

1. Roof curb must be set up for unit being installed.
2. Seal strip must be applied, as required, to unit being installed.
3. Roof curb is made of 16-gauge steel.
4. Attach ductwork to curb (flanges of duct rest on curb).
5. Insulated panels: 1-in. (25.4 mm) thick fiberglass 1 lb. density.

SELECTION PROCEDURE (WITH EXAMPLE)

1. Determine cooling and heating requirements at design conditions:

Given:

Required Cooling Capacity (TC) 34,000 Btuh
Sensible Heat Capacity (SHC) 24,000 Btuh
Required Heating Capacity 12,500 Btuh
Condenser Entering Air Temperature 95°F(35°C)
Indoor–Air Temperature 80°F (26°C) edb
67°F (19°C) ewb
Evaporator Air Quantity 1200 CFM
External Static Pressure 0.20 IN. W.C.
Electrical Characteristics 230–1–60

2. Select unit based on required cooling capacity.

Enter Net Cooling Capacities table at condenser entering temperature of 95°F (35°C), indoor air entering at 1200 cfm and 67°F (19°C) ewb (entering wet bulb). The unit will provide a total capacity of 34,200 Btuh and a SHC of 24,500 Btuh.

3. Select electric heat.

The required heating capacity is 15,000 Btuh.

Determine additional electric heat capacity in kW.

$\frac{15,000 \text{ Btuh}}{3,414 \text{ Btuh/kW}} = 4.4 \text{ kW}$ of heat required

Enter the electric Heater Packages table for 208/240, single-phase, 36 unit. The 5 kW heater at 240v most closely satisfies the heating required. To calculate kW at the 208v, multiply the heater kW by multiplication factor 0.75 found in the Wattage Multiplication Factors table.

$$5 \text{ kW} \times 0.75 = 3.75 \text{ kW}$$

$$3.75 \text{ kW} \times 3414 = 12802.50 \text{ Btuh}$$

4. Determine fan speed and power requirements at design conditions.

Before entering the air delivery tables, calculate the total static pressure required. From the given example, the Wet Coil Pressure Drop Table, and the Filter Pressure Drop Table:

External Static Pressure	0.200 IN. W.C.
Filter	0.000 IN. W.C.
Wet Coil Pressure Drop	<u>0.130 IN. W.C.</u>
Total Static Pressure	0.330 IN. W.C.

Enter the table for Wet Coil Air Delivery—horizontal discharge, 230. At 0.33 IN. W.C. ESP (external static pressure) and medium speed, the fan will deliver 1293 cfm. Adjusting for 208v, the motor delivers 114 cfm (deduct 10%).

5. Select unit that corresponds to power source available.

The Electrical Data Table shows that the unit is designed to operate at 208–1–60.

PERFORMANCE DATA

24 SIZE

EVAPORATOR AIR		CONDENSER ENTERING AIR TEMPERATURES °F (°C)																	
CFM	EWB F (°C)	75 (23.9)			85 (29.4)			95 (35)			105 (40.6)			115 (46.1)			125 (51.7)		
		Capacity MBtuh	Total Sys KW	Sens	Capacity MBtuh	Total Sys KW	Sens	Capacity MBtuh	Total Sys KW	Sens	Capacity MBtuh	Total Sys KW	Sens	Capacity MBtuh	Total Sys KW	Sens	Capacity MBtuh	Total Sys KW	Sens
	57 (13.8)	23.62	1.55	21.90	1.75	20.07	1.95	17.88	2.14	15.87	2.38	14.01	2.64	14.01	2.38	15.87	2.38	14.01	2.64
	62 (16.6)	24.47	1.56	22.45	1.75	20.32	1.96	17.92	2.14	15.90	2.38	14.03	2.64	14.03	2.38	15.90	2.38	14.03	2.64
700	63* (17.2)	24.99	1.56	22.88	1.76	20.71	1.96	18.05	2.15	15.56	2.36	13.28	2.61	13.28	2.36	15.56	2.36	13.28	2.61
	67 (19.4)	27.02	1.55	24.79	1.76	22.51	1.98	19.92	2.20	17.28	2.42	14.91	2.67	14.91	2.42	17.28	2.42	14.91	2.67
	72 (22.2)	29.59	1.55	27.20	1.76	24.84	1.99	22.48	2.24	19.68	2.51	17.14	2.77	17.14	2.51	19.68	2.51	17.14	2.77
	57 (13.8)	24.74	1.57	22.92	1.77	21.02	1.99	18.78	2.19	16.65	2.42	14.70	2.69	14.70	2.42	16.65	2.42	14.70	2.69
	62 (16.6)	25.14	1.57	23.07	1.78	21.05	1.99	18.81	2.19	16.68	2.42	14.72	2.69	14.72	2.42	16.68	2.42	14.72	2.69
800	63* (17.2)	25.59	1.57	23.43	1.77	21.18	1.99	18.51	2.18	15.93	2.39	13.61	2.64	13.61	2.39	15.93	2.39	13.61	2.64
	67 (19.4)	27.63	1.56	25.32	1.77	23.00	2.00	20.41	2.24	17.67	2.45	15.25	2.71	15.25	2.45	17.67	2.45	15.25	2.71
	72 (22.2)	30.16	1.56	27.69	1.77	25.27	2.01	22.88	2.26	20.12	2.53	17.47	2.80	17.47	2.53	20.12	2.53	17.47	2.80
	57 (13.8)	25.69	1.58	23.77	1.79	21.80	2.01	19.55	2.23	17.32	2.46	15.29	2.73	15.29	2.46	17.32	2.46	15.29	2.73
	62 (16.6)	25.74	1.58	23.81	1.79	21.84	2.01	19.58	2.23	17.35	2.46	15.31	2.73	15.31	2.46	17.35	2.46	15.31	2.73
900	63* (17.2)	26.07	1.58	23.84	1.79	21.55	2.01	18.84	2.20	16.24	2.42	13.92	2.67	13.92	2.42	16.24	2.42	13.92	2.67
	67 (19.4)	28.08	1.58	25.72	1.79	23.37	2.02	20.82	2.26	17.98	2.48	15.54	2.74	15.54	2.48	17.98	2.48	15.54	2.74
	72 (22.2)	30.58	1.58	28.07	1.79	25.58	2.02	23.17	2.28	20.45	2.56	17.73	2.83	17.73	2.56	20.45	2.56	17.73	2.83

30 SIZE

EVAPORATOR AIR		CONDENSER ENTERING AIR TEMPERATURES °F (°C)																	
CFM	EWB F (°C)	75 (23.9)			85 (29.4)			95 (35)			105 (40.6)			115 (46.1)			125 (51.7)		
		Capacity MBtuh	Total Sys KW	Sens	Capacity MBtuh	Total Sys KW	Sens	Capacity MBtuh	Total Sys KW	Sens	Capacity MBtuh	Total Sys KW	Sens	Capacity MBtuh	Total Sys KW	Sens	Capacity MBtuh	Total Sys KW	Sens
	57 (13.8)	29.53	1.96	27.08	2.16	24.69	2.37	22.28	2.58	19.59	2.78	16.70	2.97	16.70	2.78	19.59	2.78	16.70	2.97
	62 (16.6)	30.79	1.97	27.80	2.18	24.94	2.38	22.32	2.58	19.63	2.78	16.73	2.98	16.73	2.78	19.63	2.78	16.73	2.98
875	63* (17.2)	31.48	1.98	28.41	2.19	25.42	2.39	22.40	2.58	18.92	2.74	15.25	2.90	15.25	2.74	18.92	2.74	15.25	2.90
	67 (19.4)	34.28	1.99	31.11	2.22	27.95	2.45	24.83	2.67	21.50	2.87	17.54	3.02	17.54	2.87	21.50	2.87	17.54	3.02
	72 (22.2)	37.52	2.02	34.41	2.25	31.17	2.49	27.94	2.73	24.64	2.98	20.76	3.20	20.76	2.98	24.64	2.98	20.76	3.20
	57 (13.8)	31.03	2.01	28.44	2.22	25.91	2.44	23.40	2.66	20.68	2.87	17.58	3.06	17.58	2.87	20.68	2.87	17.58	3.06
	62 (16.6)	31.72	2.01	28.67	2.23	25.96	2.45	23.44	2.67	20.72	2.87	17.61	3.06	17.61	2.87	20.72	2.87	17.61	3.06
1000	63* (17.2)	32.32	2.01	29.14	2.23	26.02	2.44	22.95	2.64	19.44	2.80	15.73	2.96	15.73	2.80	19.44	2.80	15.73	2.96
	67 (19.4)	35.07	2.03	31.85	2.26	28.60	2.49	25.37	2.72	21.99	2.94	17.99	3.08	17.99	2.94	21.99	2.94	17.99	3.08
	72 (22.2)	38.18	2.05	35.03	2.29	31.75	2.53	28.42	2.78	25.07	3.02	21.25	3.27	21.25	3.02	25.07	3.02	21.25	3.27
	57 (13.8)	32.29	2.04	29.60	2.27	26.94	2.50	24.33	2.73	21.55	2.96	18.32	3.14	18.32	2.96	21.55	2.96	18.32	3.14
	62 (16.6)	32.53	2.04	29.65	2.27	26.98	2.50	24.37	2.73	21.59	2.96	18.35	3.14	18.35	2.96	21.59	2.96	18.35	3.14
1125	63* (17.2)	32.95	2.05	29.71	2.27	26.51	2.49	23.38	2.70	19.89	2.86	16.36	3.03	16.36	2.86	19.89	2.86	16.36	3.03
	67 (19.4)	35.66	2.06	32.37	2.29	29.08	2.53	25.80	2.76	22.40	2.99	18.47	3.15	18.47	2.99	22.40	2.99	18.47	3.15
	72 (22.2)	38.66	2.08	35.48	2.32	32.15	2.57	28.78	2.82	25.36	3.07	21.59	3.31	21.59	3.07	25.36	3.07	21.59	3.31

See Legend and Notes on Page 18.

PERFORMANCE DATA (CONT)

36 SIZE

EVAPORATOR AIR		CONDENSER ENTERING AIR TEMPERATURES ° F (° C)																	
		75 (23.9)			85 (29.4)			95 (35)			105 (40.6)			115 (46.1)			125 (51.7)		
		CFM	EWB F (°C)	Capacity MBtuh		Total Sys KW	Capacity MBtuh		Total Sys KW	Capacity MBtuh		Total Sys KW	Capacity MBtuh		Total Sys KW	Capacity MBtuh		Total Sys KW	
Total	Sens			Total	Sens		Total	Sens		Total	Sens		Total	Sens		Total	Sens		
1000	57 (13.8)	34.58	34.58	32.46	32.46	2.66	30.31	30.31	2.94	28.08	28.08	3.27	25.78	25.78	3.65	23.44	23.44	4.08	
	62 (16.6)	36.10	31.44	33.65	29.92	2.67	31.16	28.38	2.95	28.62	26.75	3.27	26.05	25.03	3.65	23.48	23.48	4.08	
	63* (17.2)	36.53	25.60	34.01	24.25	2.67	31.48	22.90	2.95	28.86	21.49	3.28	26.20	20.05	3.65	23.49	18.58	4.08	
1150	67 (19.4)	39.44	26.70	36.74	25.34	2.69	34.00	23.95	2.97	31.20	22.53	3.30	28.34	21.07	3.67	25.45	19.58	4.09	
	72 (22.2)	43.05	21.95	40.11	20.71	2.72	37.12	19.45	3.00	34.07	18.16	3.32	30.95	16.85	3.69	27.81	15.51	4.11	
	57 (13.8)	36.19	36.19	33.98	33.98	2.71	31.67	31.67	3.00	29.30	29.30	3.32	26.84	26.84	3.70	24.34	24.34	4.12	
1300	62 (16.6)	37.15	33.84	34.60	32.19	2.72	32.03	30.46	3.00	29.42	29.41	3.32	26.90	26.90	3.70	24.38	24.38	4.12	
	63* (17.2)	37.52	27.28	34.89	25.86	2.72	32.23	24.43	3.01	29.50	22.95	3.33	26.72	21.43	3.70	23.92	19.88	4.12	
	67 (19.4)	40.47	28.51	41.04	21.76	2.74	34.80	25.60	3.03	31.88	24.11	3.35	28.91	22.56	3.72	25.90	20.99	4.14	
42 SIZE	72 (22.2)	44.12	23.06	41.04	21.76	2.77	37.93	20.44	3.06	34.77	19.10	3.38	31.54	17.73	3.74	28.28	16.32	4.16	
	57 (13.8)	37.56	37.56	35.24	35.24	2.77	32.79	32.79	3.05	30.30	30.30	3.38	27.71	27.71	3.75	25.08	25.08	4.17	
	62 (16.6)	38.06	35.99	35.47	34.14	2.77	32.84	32.84	3.05	30.34	30.34	3.38	27.75	27.75	3.75	25.12	25.12	4.17	
1175	63* (17.2)	38.23	28.87	35.57	27.41	2.77	32.80	25.90	3.05	29.99	24.35	3.38	27.14	22.76	3.75	24.25	21.11	4.17	
	67 (19.4)	41.26	30.24	38.33	28.73	2.79	35.38	27.20	3.08	32.36	25.62	3.40	29.31	24.01	3.76	26.22	22.34	4.18	
	72 (22.2)	44.94	24.09	41.77	22.75	2.82	38.55	21.38	3.11	35.28	19.98	3.43	31.96	18.56	3.79	28.62	17.10	4.21	

42 SIZE

EVAPORATOR AIR		CONDENSER ENTERING AIR TEMPERATURES ° F (° C)																	
		75 (23.9)			85 (29.4)			95 (35)			105 (40.6)			115 (46.1)			125 (51.7)		
		CFM	EWB F (°C)	Capacity MBtuh		Total Sys KW	Capacity MBtuh		Total Sys KW	Capacity MBtuh		Total Sys KW	Capacity MBtuh		Total Sys KW	Capacity MBtuh		Total Sys KW	
Total	Sens			Total	Sens		Total	Sens		Total	Sens		Total	Sens		Total	Sens		
1175	57 (13.8)	38.66	38.66	36.66	36.66	2.87	34.60	34.60	3.30	32.45	32.45	3.80	30.07	30.07	4.39	27.19	27.19	5.02	
	62 (16.6)	40.29	35.16	37.87	33.90	2.90	35.39	32.59	3.32	32.82	31.18	3.82	30.12	30.12	4.39	27.24	27.24	5.03	
	63* (17.2)	41.08	28.70	38.62	27.55	2.92	36.06	26.34	3.34	33.40	25.10	3.84	30.40	23.73	4.40	26.65	22.06	4.98	
1350	67 (19.4)	44.34	29.79	41.80	28.66	2.97	39.16	27.52	3.42	36.41	26.33	3.95	33.45	25.06	4.57	29.97	23.59	5.21	
	72 (22.2)	48.52	24.17	45.92	23.18	3.05	43.20	22.16	3.52	40.37	21.10	4.06	37.44	20.00	4.70	34.27	18.84	5.44	
	57 (13.8)	40.50	40.50	38.39	38.39	2.95	36.24	36.24	3.40	34.01	34.01	3.92	31.54	31.54	4.51	28.67	28.67	5.17	
1525	62 (16.6)	41.38	37.85	38.93	36.52	2.96	36.44	36.11	3.41	34.06	34.06	3.92	31.59	31.59	4.52	28.72	28.72	5.17	
	63* (17.2)	42.06	30.61	39.52	29.42	2.97	36.90	28.24	3.41	34.16	26.96	3.92	31.10	25.56	4.49	27.35	23.86	5.08	
	67 (19.4)	45.33	31.78	42.72	30.67	3.03	40.00	29.50	3.48	37.18	28.29	4.01	34.18	27.02	4.64	30.76	25.56	5.32	
1525	72 (22.2)	49.45	25.33	46.79	24.36	3.12	44.00	23.33	3.58	41.11	22.27	4.13	38.09	21.17	4.78	34.91	20.01	5.52	
	57 (13.8)	41.99	41.99	39.82	39.82	3.02	37.59	37.59	3.47	35.28	35.28	4.01	32.78	32.78	4.63	29.92	29.92	5.31	
	62 (16.6)	42.92	40.26	39.90	39.90	3.02	37.64	37.64	3.47	35.33	35.33	4.01	32.82	32.82	4.64	29.97	29.97	5.31	
1525	63* (17.2)	42.81	32.42	40.22	31.23	3.02	37.53	30.01	3.47	34.76	28.74	3.99	31.66	27.29	4.56	27.97	25.57	5.17	
	67 (19.4)	46.08	33.66	43.40	32.57	3.08	40.64	31.35	3.54	37.75	30.14	4.07	34.73	28.86	4.70	31.38	27.42	5.42	
	72 (22.2)	50.14	26.41	47.44	25.44	3.18	44.60	24.44	3.64	41.64	23.37	4.20	38.57	22.27	4.85	35.35	21.11	5.59	

See Legend and Notes on Page 18.

PERFORMANCE DATA (CONT)

48 SIZE

EVAPORATOR AIR		CONDENSER ENTERING AIR TEMPERATURES °F (°C)																	
		75 (23.9)			85 (29.4)			95 (35)			105 (40.6)			115 (46.1)			125 (51.7)		
		CFM	EWB F (°C)	Capacity MBtuh		Total Sys KW	Capacity MBtuh		Total Sys KW	Capacity MBtuh		Total Sys KW	Capacity MBtuh		Total Sys KW	Capacity MBtuh		Total Sys KW	
Total	Sens			Total	Sens		Total	Sens		Total	Sens		Total	Sens		Total	Sens		
1400	57 (13.8)	45.45	45.45	3.10	42.83	42.83	3.46	40.16	40.16	3.89	37.26	37.26	4.36	33.52	33.52	4.82	29.80	29.80	5.37
	62 (16.6)	47.27	42.17	3.13	44.15	40.29	3.49	41.03	38.39	3.91	37.61	36.29	4.36	33.57	33.57	4.83	29.84	29.84	5.37
	63* (17.2)	48.20	34.32	3.13	45.02	32.66	3.50	41.76	30.98	3.92	38.24	29.20	4.38	33.54	26.93	4.82	28.81	24.65	5.33
	67 (19.4)	52.06	35.63	3.15	48.74	34.02	3.52	45.33	32.35	3.95	41.77	30.64	4.44	37.35	28.63	4.96	32.39	26.38	5.46
	72 (22.2)	56.98	28.79	3.18	53.50	27.36	3.56	49.89	25.89	3.99	46.16	24.36	4.48	42.23	22.80	5.04	37.37	21.00	5.64
1550	57 (13.8)	47.02	47.02	3.17	44.27	44.27	3.54	41.50	41.50	3.96	38.53	38.53	4.44	34.79	34.79	4.92	30.91	30.91	5.46
	62 (16.6)	48.16	44.46	3.17	45.01	42.51	3.55	41.85	40.45	3.97	38.60	38.60	4.44	34.83	34.83	4.92	30.95	30.95	5.46
	63* (17.2)	49.02	35.96	3.18	45.75	34.27	3.55	42.41	32.55	3.98	38.87	30.75	4.45	34.15	28.45	4.89	29.32	26.09	5.40
	67 (19.4)	52.88	37.95	3.20	49.49	35.71	3.57	46.00	34.00	4.00	42.38	32.25	4.49	38.03	30.31	5.04	32.93	27.95	5.53
	72 (22.2)	57.73	29.76	3.23	54.20	28.31	3.61	50.51	26.84	4.04	46.68	25.28	4.53	42.70	23.71	5.09	37.92	21.96	5.70
1800	57 (13.8)	49.14	49.14	3.25	46.25	46.25	3.63	43.34	43.34	4.06	40.29	40.29	4.55	36.55	36.55	5.07	32.46	32.46	5.60
	62 (16.6)	49.49	47.88	3.25	46.34	46.34	3.63	43.39	43.39	4.06	40.34	40.34	4.55	36.60	36.60	5.07	32.49	32.49	5.61
	63* (17.2)	50.04	38.56	3.25	46.70	36.84	3.63	43.27	35.06	4.06	39.66	33.20	4.54	34.96	30.85	5.00	30.05	28.30	5.51
	67 (19.4)	53.94	40.13	3.28	50.43	38.42	3.65	46.85	36.63	4.08	43.16	34.80	4.57	38.95	32.92	5.12	33.66	30.41	5.65
	72 (22.2)	58.67	31.28	3.31	55.06	29.83	3.69	51.26	28.32	4.12	47.34	26.73	4.62	43.27	25.12	5.18	38.61	23.50	5.78

60 SIZE

EVAPORATOR AIR		CONDENSER ENTERING AIR TEMPERATURES °F (°C)																	
		75 (23.9)			85 (29.4)			95 (35)			105 (40.6)			115 (46.1)			125 (51.7)		
		CFM	EWB °F (°C)	Capacity MBtuh		Total Sys KW	Capacity MBtuh		Total Sys KW	Capacity MBtuh		Total Sys KW	Capacity MBtuh		Total Sys KW	Capacity MBtuh		Total Sys KW	
Total	Sens			Total	Sens		Total	Sens		Total	Sens		Total	Sens		Total	Sens		
1750	57 (13.8)	57.04	57.04	3.68	53.71	53.71	4.20	50.37	50.37	4.81	46.94	46.94	5.51	42.94	42.94	6.27	38.22	38.22	7.08
	62 (16.6)	58.59	49.98	3.70	54.72	48.26	4.22	50.83	46.41	4.82	47.02	47.02	5.51	43.00	43.00	6.28	38.29	38.29	7.08
	63* (17.2)	59.69	40.44	3.70	55.67	38.90	4.23	51.62	37.32	4.83	47.50	35.70	5.52	42.48	33.69	6.25	36.58	31.27	7.00
	67 (19.4)	64.43	42.04	3.73	60.26	40.56	4.26	56.00	39.00	4.87	51.67	37.39	5.57	47.05	35.71	6.38	41.05	33.47	7.21
	72 (22.2)	70.39	33.58	3.78	66.06	32.25	4.31	61.55	30.87	4.93	56.94	29.39	5.64	52.21	27.88	6.45	47.19	26.29	7.37
2000	57 (13.8)	59.44	59.44	3.78	55.93	55.93	4.31	52.41	52.41	4.92	48.83	48.83	5.62	44.92	44.92	6.44	39.97	39.97	7.26
	62 (16.6)	60.04	53.50	3.78	56.07	56.07	4.31	52.48	52.48	4.92	48.90	48.90	5.62	44.98	44.98	6.44	40.04	40.04	7.26
	63* (17.2)	60.84	43.04	3.78	56.74	41.49	4.31	52.56	39.87	4.92	48.32	38.18	5.62	43.48	36.25	6.39	37.36	33.66	7.13
	67 (19.4)	65.61	44.79	3.81	61.36	43.29	4.34	56.95	41.68	4.96	52.51	40.02	5.66	47.83	38.30	6.47	41.86	36.09	7.35
	72 (22.2)	71.45	35.11	3.87	67.02	33.78	4.40	62.40	32.37	5.02	57.67	30.89	5.73	52.81	29.36	6.55	47.75	27.77	7.47
2250	57 (13.8)	61.37	61.37	3.86	57.76	57.76	4.39	54.09	54.09	5.01	50.36	50.36	5.72	46.38	46.38	6.54	41.44	41.44	7.43
	62 (16.6)	61.42	61.42	3.86	57.83	57.83	4.40	54.15	54.15	5.01	50.42	50.42	5.72	46.44	46.44	6.54	41.51	41.51	7.43
	63* (17.2)	61.75	45.60	3.86	57.57	43.99	4.39	53.29	42.29	5.00	48.99	40.55	5.71	44.27	38.64	6.52	38.08	35.80	7.26
	67 (19.4)	66.46	47.42	3.89	62.10	45.93	4.43	57.67	44.25	5.04	53.13	42.53	5.75	48.44	40.74	6.56	42.58	38.56	7.48
	72 (22.2)	72.23	36.56	3.95	67.73	35.23	4.48	63.02	33.84	5.11	58.17	32.33	5.82	53.23	30.78	6.65	48.12	29.19	7.57

PERFORMANCE DATA (CONT)

* At 75°F (24°C) entering dry-bulb—Tennessee Valley Authority (TVA) rating conditions; all others at 80°F (27°C) dry-bulb.

LEGEND

- BF— Bypass Factor
- edb— Entering Dry-Bulb
- Ewb— Entering Wet-Bulb
- kW — Total Unit Power Input
- SHC— Sensible Heat Capacity (1000 Btuh)
- TC — Total Capacity (1000 Btuh) (net)
- rh—Relative Humidity

COOLING NOTES:

1. Ratings are net; they account for the effects of the evaporator-fan motor power and heat.
2. Direct interpolation is permissible. Do not extrapolate.
3. The following formulas may be used:

$$t_{ldb} = t_{edb} - \frac{\text{Sensible capacity (Btuh)}}{1.10 \times \text{cfm}}$$

$$t_{lwb} = \text{Wet-bulb temperature corresponding to enthalpy of air leaving evaporator coil (} h_{lwb} \text{)}$$

$$h_{lwb} = \frac{\text{total capacity (Btuh)}}{4.5 \times \text{cfm}}$$

Where: h_{ewb} = Enthalpy of air entering evaporator coil

4. The SHC is based on 805 F (26.6°C) edb temperature of air entering evaporator coil. Below 80°F (26.6°C) edb, subtract (corr factor x cfm) from SHC.

Above 80°F (26.6°C) edb, add (corr factor x cfm) to SHC.

Correction Factor = $1.10 \times (1 + BF) \times (edb - 80)$.

5. Integrated capacity is maximum (instantaneous) capacity less the effect of frost on the outdoor coil and the heat required to defrost it.

Multiplication Factors

HEATER KW RATING	VOLTAGE DISTRIBUTION V/3/60	MULTIPLICATION FACTOR
240	200	0.69
	208	0.75
	230	0.92
	240	1.00

Dry Coil Air Delivery* – Horizontal and Downflow Discharge Sizes 24–60 208/230VAC 1 Phase Models

Unit Size	Motor Speed	Wire Color	External Static Pressure (IN. W.C.)																		
			0.1	0.2	0.3	0.4	0.5	0.6	0.7	0.8	0.9	1									
24	Low	CFM	669	580	525	423	303	---	---	---	---	---	---	---	---	---	---	---	---	---	
		BHP	0.09	0.10	0.11	0.11	0.12	---	---	---	---	---	---	---	---	---	---	---	---	---	---
	Med–Low ¹	CFM	829	752	680	602	549	455	313	---	---	---	---	---	---	---	---	---	---	---	---
		BHP	0.14	0.15	0.15	0.16	0.17	0.17	0.18	---	---	---	---	---	---	---	---	---	---	---	---
	Medium	CFM	1014	929	884	818	746	683	600	537	405	305	---	---	---	---	---	---	---	---	---
		BHP	0.24	0.24	0.24	0.25	0.26	0.26	0.27	0.27	0.27	0.29	---	---	---	---	---	---	---	---	---
	Med–High	CFM	1041	972	916	850	782	713	631	581	465	340	---	---	---	---	---	---	---	---	---
		BHP	0.25	0.26	0.26	0.26	0.26	0.27	0.28	0.29	0.30	0.31	---	---	---	---	---	---	---	---	---
	High	CFM	1187	1124	1061	996	930	896	840	776	698	610	---	---	---	---	---	---	---	---	---
		BHP	0.36	0.36	0.37	0.37	0.38	0.38	0.39	0.39	0.39	0.40	---	---	---	---	---	---	---	---	---
30	Low	CFM	669	580	525	423	303	---	---	---	---	---	---	---	---	---	---	---	---	---	---
		BHP	0.09	0.10	0.11	0.11	0.12	---	---	---	---	---	---	---	---	---	---	---	---	---	---
	Med–Low	CFM	829	752	680	602	549	455	313	---	---	---	---	---	---	---	---	---	---	---	---
		BHP	0.14	0.15	0.15	0.16	0.17	0.17	0.18	---	---	---	---	---	---	---	---	---	---	---	---
	Medium ¹	CFM	1014	929	884	818	746	683	600	537	405	305	---	---	---	---	---	---	---	---	---
		BHP	0.24	0.24	0.24	0.25	0.26	0.26	0.27	0.27	0.27	0.29	---	---	---	---	---	---	---	---	---
	Med–High	CFM	1041	972	916	850	782	713	631	581	465	340	---	---	---	---	---	---	---	---	---
		BHP	0.25	0.26	0.26	0.26	0.26	0.27	0.28	0.29	0.30	0.31	---	---	---	---	---	---	---	---	---
	High	CFM	1187	1124	1061	996	930	896	840	776	698	610	---	---	---	---	---	---	---	---	---
		BHP	0.36	0.36	0.37	0.37	0.38	0.38	0.39	0.39	0.39	0.40	---	---	---	---	---	---	---	---	---
36	Low	CFM	1056	982	911	882	812	740	667	564	486	361	---	---	---	---	---	---	---	---	---
		BHP	0.24	0.24	0.24	0.26	0.26	0.27	0.28	0.29	0.30	0.30	---	---	---	---	---	---	---	---	---
	Med–Low	CFM	1174	1107	1045	985	914	890	825	760	673	572	---	---	---	---	---	---	---	---	---
		BHP	0.32	0.32	0.33	0.33	0.34	0.35	0.36	0.37	0.37	0.37	---	---	---	---	---	---	---	---	---
	Medium ¹	CFM	1246	1195	1148	1081	1019	953	884	859	795	690	---	---	---	---	---	---	---	---	---
		BHP	0.38	0.39	0.39	0.40	0.40	0.41	0.42	0.42	0.42	0.43	---	---	---	---	---	---	---	---	---
	Med–High	CFM	1361	1299	1229	1210	1152	1092	1025	958	889	822	---	---	---	---	---	---	---	---	---
		BHP	0.48	0.49	0.49	0.50	0.50	0.51	0.51	0.51	0.51	0.52	---	---	---	---	---	---	---	---	---
	High	CFM	1596	1542	1482	1424	1362	1304	1238	1173	1201	1143	---	---	---	---	---	---	---	---	---
		BHP	0.74	0.74	0.74	0.75	0.75	0.75	0.76	0.76	0.77	0.77	---	---	---	---	---	---	---	---	---
42	Low	CFM	1001	902	833	777	717	650	575	527	466	419	---	---	---	---	---	---	---	---	---
		BHP	0.13	0.13	0.14	0.14	0.15	0.16	0.17	0.18	0.19	0.20	---	---	---	---	---	---	---	---	---
	Med–Low	CFM	1016	950	902	842	783	721	655	590	541	480	---	---	---	---	---	---	---	---	---
		BHP	0.13	0.14	0.15	0.16	0.17	0.18	0.19	0.20	0.21	0.22	---	---	---	---	---	---	---	---	---
	Medium ¹	CFM	1403	1358	1316	1265	1217	1167	1116	1067	1012	956	---	---	---	---	---	---	---	---	---
		BHP	0.29	0.30	0.31	0.33	0.34	0.35	0.36	0.37	0.38	0.39	---	---	---	---	---	---	---	---	---
	Med–High	CFM	1461	1411	1367	1327	1275	1220	1174	1127	1074	1022	---	---	---	---	---	---	---	---	---
		BHP	0.32	0.33	0.35	0.36	0.37	0.38	0.39	0.40	0.41	0.42	---	---	---	---	---	---	---	---	---
	High	CFM	1575	1528	1488	1447	1406	1360	1314	1264	1213	1159	---	---	---	---	---	---	---	---	---
		BHP	0.40	0.42	0.43	0.44	0.45	0.46	0.47	0.48	0.49	0.50	---	---	---	---	---	---	---	---	---

Dry Coil Air Delivery* – Horizontal and Downflow Discharge Sizes 24–60 208/230VAC 1 Phase Models (Cont.)

Unit Size	Motor Speed	Wire Color	External Static Pressure (IN. W.C.)									
			0.1	0.2	0.3	0.4	0.5	0.6	0.7	0.8	0.9	1
48	Low	CFM	1378	1344	1295	1260	1216	1179	1135	1087	1035	995
		BHP	0.26	0.27	0.29	0.31	0.33	0.34	0.36	0.38	0.36	0.38
	Med–Low ¹	CFM	1696	1671	1631	1607	1574	1539	1507	1463	1432	1393
		BHP	0.45	0.47	0.49	0.50	0.52	0.52	0.54	0.55	0.57	0.58
	Medium	CFM	1994	1968	1943	1910	1882	1835	1774	1702	1614	1512
		BHP	0.72	0.73	0.75	0.76	0.78	0.78	0.76	0.73	0.70	0.66
	Med–High	CFM	2054	2013	1986	1964	1919	1854	1779	1695	1605	1498
		BHP	0.77	0.79	0.80	0.82	0.81	0.80	0.76	0.74	0.69	0.65
	High	CFM	2267	2201	2133	2071	1997	1923	1835	1739	1654	1551
		BHP	1.03	1.00	0.97	0.93	0.89	0.86	0.82	0.78	0.74	0.69
60	Low	CFM	1330	1277	1232	1191	1147	1103	1060	1004	963	919
		BHP	0.26	0.27	0.29	0.30	0.31	0.32	0.33	0.34	0.36	0.37
	Med–Low	CFM	1475	1436	1399	1351	1317	1270	1236	1188	1152	1105
		BHP	0.35	0.36	0.37	0.38	0.40	0.41	0.42	0.43	0.45	0.45
	Medium ¹	CFM	1736	1710	1668	1630	1600	1557	1522	1479	1450	1406
		BHP	0.53	0.54	0.55	0.58	0.59	0.60	0.62	0.63	0.64	0.65
	Med–High	CFM	1935	1909	1867	1836	1808	1766	1696	1619	1535	1454
		BHP	0.71	0.73	0.74	0.76	0.78	0.79	0.77	0.75	0.72	0.68
	High	CFM	2205	2150	2078	2011	1941	1852	1779	1672	1572	1473
		BHP	1.04	1.02	0.99	0.95	0.92	0.87	0.85	0.79	0.75	0.70

*Air delivery values are without air filter and are for dry coil (See Wet Coil Pressure Drop table).

¹ Factory-shipped cooling speed

NOTE: Duct field-supplied air filter pressure drop and wet coil pressure drop to obtain external static pressure available for ducting. Shaded areas indicate speed/static combinations that are not permitted for dehumidification speed.

Dry Coil Air Delivery* – Horizontal Discharge Sizes 36–60 3 Phase Models Only

Unit	Motor Speed	Wire Color	External Static Pressure (IN. W.C.)											
			0.1	0.2	0.3	0.4	0.5	0.6	0.7	0.8	0.9			
36	Low	Blue	CFM	979	912	859	789	731	654	556	454	374		
	Med–Low	Pink	CFM	1136	1080	1015	957	912	861	808	723	633		
	Medium ¹	Red	CFM	1208	1144	1091	1025	964	902	886	830	746		
	Med–High	Orange	CFM	1495	1439	1376	1303	1221	1207	1137	1052	981		
	High	Black	CFM	1560	1491	1416	1337	1255	1233	1160	1082	998		
	Low	Blue	CFM	952	882	806	746	671	605	530	451	374		
42	Med–Low	Pink	CFM	1002	936	875	821	748	687	613	554	486		
	Medium	Red	CFM	1255	1210	1145	1074	1008	940	878	895	838		
	Med–High ¹	Orange	CFM	1335	1267	1246	1176	1109	1049	988	926	872		
	High	Black	CFM	1472	1401	1326	1251	1275	1198	1139	1085	1023		
	Low	Blue	CFM	1402	1351	1311	1263	1224	1172	1136	1080	1041		
	Med–Low	Pink	CFM	1457	1404	1367	1318	1284	1233	1197	1144	1104		
48	Medium ¹	Red	CFM	1736	1695	1642	1601	1553	1512	1465	1427	1381		
	Med–High	Orange	CFM	2149	2111	2062	2026	1980	1945	1905	1864	1793		
	High	Black	CFM	2344	2306	2259	2203	2141	2070	1991	1902	1803		
	Low	Blue	CFM	1445	1389	1341	1281	1236	1189	1139	1072	1027		
	Med–Low	Pink	CFM	1678	1635	1602	1558	1513	1474	1438	1404	1349		
	Medium ¹	Red	CFM	1962	1915	1880	1843	1794	1753	1711	1675	1628		
60	Med–High	Orange	CFM	2131	2088	2065	2013	1982	1941	1888	1860	1785		
	High	Black	CFM	2461	2409	2339	2286	2192	2140	2062	1968	1874		

*Air delivery values are without air filter and are for dry coil (See Wet Coil Pressure Drop table).

¹ Factory-shipped cooling speed

NOTE: Ducted field-supplied air filter, pressure drop and wet coil pressure drop to obtain external static pressure available for ducting. Shaded areas indicate speed/static combinations that are not permitted for dehumidification speed.

Dry Coil Air Delivery – Downflow Discharge Sizes 36–60 3 Phase Models Only

Unit	Motor Speed	Wire Color	External Static Pressure (IN. W.C.)										
			0.1	0.2	0.3	0.4	0.5	0.6	0.7	0.8	0.9	1.0	
36	Low	Blue	CFM	979	912	859	789	731	664	556	454	374	255
			WATTS	202	212	217	221	231	236	245	251	259	253
			BHP	0.22	0.23	0.23	0.24	0.25	0.25	0.26	0.27	0.28	0.27
	Med–Low	Pink	CFM	1136	1080	1015	957	912	861	808	723	633	545
			WATTS	294	309	310	322	325	333	341	349	354	367
			BHP	0.32	0.33	0.33	0.35	0.35	0.36	0.37	0.37	0.38	
	Medium ¹	Red	CFM	1208	1144	1091	1025	964	902	886	830	746	663
			WATTS	345	350	358	366	373	377	390	396	407	410
			BHP	0.37	0.38	0.38	0.39	0.40	0.40	0.42	0.42	0.44	0.44
	Med–High	Orange	CFM	1495	1439	1376	1303	1221	1207	1137	1052	981	894
			WATTS	625	634	635	633	624	613	598	583	573	551
			BHP	0.67	0.68	0.68	0.68	0.67	0.66	0.64	0.63	0.61	0.59
High	Black	CFM	1560	1491	1416	1337	1255	1233	1160	1082	998	911	
		WATTS	708	699	683	674	660	634	624	606	581	566	
		BHP	0.76	0.75	0.73	0.72	0.71	0.68	0.67	0.65	0.62	0.61	
42	Low	Blue	CFM	952	882	806	746	671	605	530	551	486	435
			WATTS	124	134	140	150	156	166	171	182	188	198
			BHP	0.13	0.14	0.15	0.16	0.17	0.18	0.18	0.20	0.20	0.21
	Med–Low	Pink	CFM	1002	936	875	821	748	687	613	554	565	518
			WATTS	144	155	161	171	176	187	193	203	209	220
			BHP	0.15	0.17	0.17	0.18	0.19	0.20	0.21	0.22	0.22	0.24
Medium	Red	CFM	1255	1210	1145	1074	1008	940	878	895	838	785	
		WATTS	249	272	284	292	305	319	320	329	336	347	
		BHP	0.27	0.29	0.30	0.31	0.33	0.34	0.34	0.35	0.36	0.37	
Med–High ¹	Orange	CFM	1335	1267	1246	1176	1109	1049	988	926	872	891	
		WATTS	311	323	330	342	356	367	378	385	395	403	
		BHP	0.33	0.35	0.35	0.37	0.38	0.39	0.41	0.41	0.42	0.43	
High	Black	CFM	1472	1401	1326	1251	1275	1198	1139	1085	1023	961	
		WATTS	401	414	426	440	471	462	473	478	486	491	
		BHP	0.43	0.44	0.46	0.47	0.51	0.50	0.51	0.51	0.52	0.53	

Dry Coil Air Delivery – Downflow Discharge Sizes 36–60 3 Phase Models Only (Cont.)

Unit	Motor Speed	Wire Color	External Static Pressure (IN. W.C.)										
			0.1	0.2	0.3	0.4	0.5	0.6	0.7	0.8	0.9	1.0	
48	Low	Blue	CFM	1503	1457	1423	1374	1330	1287	1241	1199	1153	1111
			WATTS	225	233	246	254	269	282	292	307	314	329
			BHP	0.24	0.25	0.26	0.27	0.29	0.30	0.31	0.33	0.34	0.35
	Med–Low	Pink	CFM	1556	1508	1461	1432	1388	1346	1302	1256	1221	1168
			WATTS	244	261	268	281	290	305	319	330	345	353
			BHP	0.26	0.28	0.29	0.30	0.31	0.33	0.34	0.35	0.37	0.38
	Medium ¹	Red	CFM	1861	1822	1786	1758	1716	1688	1660	1619	1583	1539
			WATTS	400	417	426	441	452	467	482	492	507	519
			BHP	0.43	0.45	0.46	0.47	0.48	0.50	0.52	0.53	0.54	0.56
	Med–High	Orange	CFM	2319	2291	2255	2230	2193	2166	2118	2057	1992	1887
			WATTS	758	769	787	799	808	823	822	805	780	737
			BHP	0.81	0.82	0.84	0.86	0.87	0.88	0.88	0.86	0.84	0.79
High	Black	CFM	2532	2487	2444	2391	2330	2259	2179	2111	2033	1949	
		WATTS	1014	1022	1015	994	965	935	898	858	823	786	
		BHP	1.09	1.10	1.09	1.07	1.03	1.00	0.96	0.92	0.88	0.84	
60	Low	Blue	CFM	1479	1436	1387	1346	1298	1253	1206	1160	1114	1061
			WATTS	224	239	247	262	270	284	300	307	319	330
			BHP	0.24	0.26	0.26	0.28	0.29	0.30	0.32	0.33	0.34	0.35
	Med–Low	Pink	CFM	1841	1796	1761	1724	1690	1651	1616	1578	1527	1478
			WATTS	425	434	453	460	476	485	501	508	525	542
			BHP	0.46	0.47	0.49	0.49	0.51	0.52	0.54	0.54	0.56	0.58
	Medium ¹	Red	CFM	1944	1913	1872	1838	1801	1771	1731	1698	1655	1613
			WATTS	486	501	511	529	537	554	565	578	595	603
			BHP	0.52	0.54	0.55	0.57	0.58	0.59	0.61	0.62	0.64	0.65
	Med–High	Orange	CFM	2178	2148	2105	2073	2036	2002	1967	1919	1845	1751
			WATTS	674	691	703	717	733	743	758	754	734	701
			BHP	0.72	0.74	0.75	0.77	0.79	0.80	0.81	0.81	0.79	0.75
High	Black	CFM	2480	2432	2375	2322	2236	2161	2085	2006	1917	1808	
		WATTS	1029	1012	995	975	941	908	869	836	796	751	
		BHP	1.10	1.09	1.07	1.05	1.01	0.97	0.93	0.90	0.85	0.81	

*Air delivery values are without air filter and are for dry coil (See Wet Coil Pressure Drop table).

¹ Factory-shipped cooling speed

NOTE: Duct field-supplied air filter pressure drop and wet coil pressure drop to obtain external static pressure available for ducting.

Shaded areas indicate speed/static combinations that are not permitted for dehumidification speed.

PERFORMANCE DATA (CONT)
Wet Coil Pressure Drop (IN. W.C.)

UNIT SIZE	STANDARD CFM (SCFM)																
	600	700	800	900	1000	1100	1200	1300	1400	1500	1600	1700	1800	1900	2000	2100	2200
24	0.03	0.04	0.04	0.05	0.06												
30				0.05	0.06	0.07	0.08	0.11									
36				0.06	0.06	0.09	0.10	0.11	0.14								
42					0.05	0.05	0.06	0.07	0.08	0.08	0.09	0.09	0.11				
48							0.04	0.06	0.09	0.10	0.10	0.11	0.12	0.13	0.14		
60								0.06	0.09	0.07	0.07	0.01	0.08	0.09	0.10	0.12	0.13

Economizer with 1-in. Filter Pressure Drop (IN. W.C.)

FILTER SIZE IN. (MM)	COOLING TONS	STANDARD CFM (SCFM)																
		600	700	800	900	1000	1100	1200	1300	1400	1500	1600	1700	1800	1900	2000	2100	2200
600-1400CFM 12x20x1+12x20x1 (305x508x25+305x508x25)	2.0,																	
	2.5,	-	-	0.09	0.14	0.16	0.18	0.25	0.28	0.3	-	-	-	-	-	-	-	-
	3.0																	
1200-1800 CFM 16x24x1+14x24x1 (406x610x25+356x610x25)	3.5,	-	-	-	-	-	-	0.10	0.11	0.12	0.13	0.14	0.16	-	-	-	-	-
	4.0																	
1500-2200 CFM 16x24x1+18x24x1 (406x610x25+457x610x25)	5.0	-	-	-	-	-	-	-	-	-	0.15	0.17	0.18	0.20	0.21	0.22	0.23	0.23

Horizontal and Downflow Filter Pressure Drop Table (IN. W.C.)

FILTER SIZE IN. (MM)	COOLING TONS	STANDARD CFM (SCFM)																
		600	700	800	900	1000	1100	1200	1300	1400	1500	1600	1700	1800	1900	2000	2100	2200
600-1400CFM 12x20x1+12x20x1 (305x508x25+305x508x25)	2.0,																	
	2.5,	0.03	0.05	0.06	0.08	0.10	0.11	0.13	0.14	0.16	-	-	-	-	-	-	-	-
	3.0																	
1200-1800 CFM 16x24x1+14x24x1 (406x610x25+356x610x25)	3.5,	-	-	-	-	-	-	0.07	0.08	0.09	0.09	0.10	0.11	0.12	-	-	-	-
	4.0																	
1500-2200 CFM 16x24x1+18x24x1 (406x610x25+457x610x25)	5.0	-	-	-	-	-	-	-	-	-	0.04	0.06	0.08	0.10	0.11	0.13	0.14	0.15

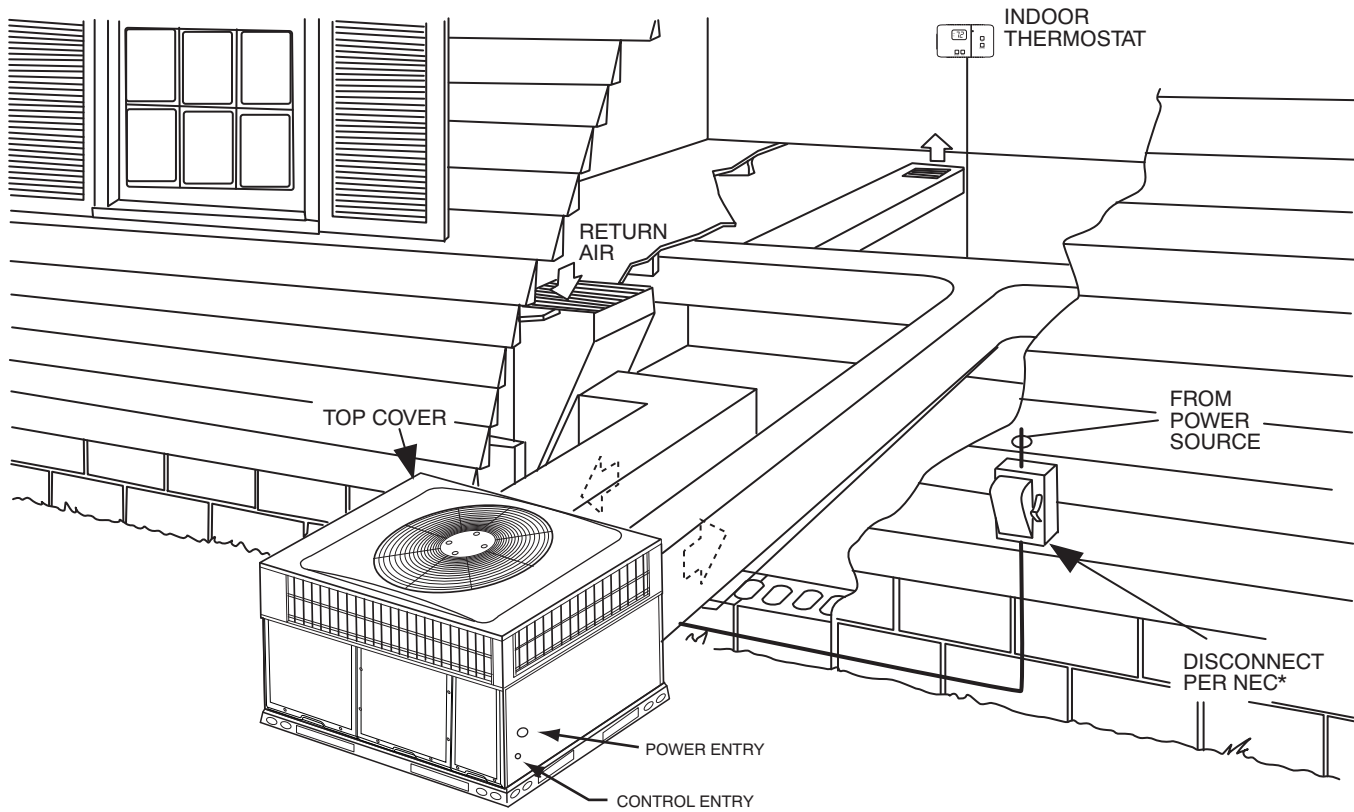
Electric Heat Pressure Drop Tables (IN. W.C.)
Small Cabinet: 24-36

STATIC	STANDARD CFM (SCFM)																	
	500	600	700	800	900	1000	1100	1200	1300	1400	1500	1600	1700	1800	1900	2000	2100	2200
5 kW	0.00	0.00	0.00	0.00	0.00	0.00	0.00	0.00	0.00	0.00	0.00	0.00	0.02	0.04	0.06	0.06	0.07	0.07
10 kW	0.00	0.00	0.00	0.00	0.00	0.02	0.02	0.02	0.04	0.04	0.06	0.06	0.07	0.09	0.10	0.10	0.11	0.11
15 kW	0.00	0.00	0.00	0.02	0.04	0.06	0.06	0.06	0.08	0.08	0.10	0.10	0.12	0.14	0.16	0.16	0.18	0.18
20 kW	0.00	0.00	0.02	0.04	0.06	0.08	0.08	0.08	0.09	0.09	0.11	0.11	0.13	0.15	0.17	0.17	0.19	0.19

Large Cabinet: 42-60

STATIC	STANDARD CFM (SCFM)															
	1100	1200	1300	1400	1500	1600	1700	1800	1900	2000	2100	2200	2300	2400	2500	
5 kW	0.00	0.00	0.00	0.01	0.02	0.03	0.04	0.05	0.06	0.07	0.08	0.09	0.10	0.11	0.12	
10 kW	0.00	0.00	0.01	0.02	0.03	0.04	0.05	0.06	0.07	0.08	0.09	0.10	0.11	0.12	0.13	
15 kW	0.00	0.02	0.03	0.04	0.05	0.06	0.07	0.08	0.09	0.10	0.11	0.12	0.13	0.14	0.15	
20 kW	0.02	0.03	0.04	0.05	0.06	0.07	0.08	0.09	0.10	0.11	0.12	0.13	0.14	0.15	0.16	

TYPICAL PIPING AND WIRING



*NEC - National Electrical Code

A09240

APPLICATION DATA

Condensate trap — A 2-in. (50.8 mm) condensate trap must be field supplied.

Ductwork — Secure downflow discharge ductwork to roof curb. For horizontal discharge applications, attach ductwork to unit with flanges.

To convert a unit to downflow discharge — Units are equipped with factory-installed inserts in the downflow openings. Removal of the inserts is similar to removing an electrical knock-out.

Maximum cooling airflow — To minimize the possibility of condensate blow-off from the evaporator, airflow through the units should not exceed 450 cfm per ton.

Minimum cooling airflow — Minimum cooling airflow is 350 cfm per ton.

Minimum ambient cooling operation temperature — All standard units have a minimum ambient operating temperature of 40°F (4°C). With accessory low ambient temperature kit, units can operate at temperatures down to 0°F (-17°C).

ELECTRICAL DATA

MODEL SIZE	NOMINAL V-PH-HZ	VOLTAGE RANGE		COMPRESSOR		OFM	IFM	NOMINAL ELECTRIC HEAT	POWER SUPPLY		
		MIN	MAX	RLA	LRA	FLA	FLA	kW	FLA	MCA	MOCP
24	208/230-1-60	197	253	8.7	46	0.6	3.8	-/-	-/-	15.2	20
								3.8/5	18.1/20.8	27.4/30.8	30/35
								5.4/7.2	25.9/30	37.1/42.3	40/45
								7.5/10	36.1/41.7	49.9/56.9	50/60
30	208/230-1-60	197	253	11.2	57	0.7	3.8	-/-	-/-	18.5	25
								3.8/5	18.1/20.8	27.4/30.8	30/35
								5.4/7.2	25.9/30	37.1/42.3	40/45
								7.5/10	36.1/41.7	49.9/56.9	50/60
36	208/230-1-60	197	253	16.7	79	1	5.4	-/-	-/-	27.4	40
								3.8/5	18.1/20.8	29.4/32.8	40/40
								5.4/7.2	25.9/30	39.1/44.3	40/45
								7.5/10	36.1/41.7	51.9/58.9	60/60
	208/230-3-60	197	253	10.4	73	1	6	-/-	----	20.1	30
								3.8/5	10.4/12	20.5/22.5	30/30
								7.5/10	20.8/24.1	33.5/37.6	35/40
								11.3/15	31.2/36.1	46.5/52.6	50/60
	460-3-60	414	506	5.8	38	0.5	3.2	-/-	-/-	11	15
								10	12/12	19/19	20/20
								15	18/18	26.5/26.5	30/30
								20	24.1/24.1	34.1/34.1	35/35
42	208/230-1-60	197	253	16.7	109	1	3.8	-/-	-/-	25.8	40
								3.8/5	18.1/20.8	27.4/30.8	40/40
								5.4/7.2	25.9/30	37.1/42.3	40/45
								7.5/10	36.1/41.7	49.9/56.9	50/60
								11.3/15	54.2/62.5	72.5/82.9	80/90
	208/230-3-60	197	253	11.2	88	1	4.1	-/-	----	19.2	30
								3.8/5	10.4/12	19.2/20.1	30/30
								7.5/10	20.8/24.1	31.1/35.3	35/40
								11.3/15	31.2/36.1	44.1/50.3	45/60
								15/20	41.4/47.9	56.9/65	60/70
	460-3-60	414	506	5.6	44	0.5	3.2	-/-	----	10.7	15
								10	12/12	19/19	20/20
15								18/18	26.5/26.5	30/30	
20								24.1/24.1	34.1/34.1	35/35	
48	208/230-1-60	197	253	19.6	130	1	7.6	-/-	-/-	33.2	50
								3.8/5	18.1/20.8	33.2/35.5	50/50
								5.4/7.2	25.9/30	41.9/47	50/50
								7.5/10	36.1/41.7	54.6/61.6	60/70
								11.3/15	54.2/62.5	77.3/87.6	80/90
	208/230-3-60	197	253	13.7	83.1	1	7.6	-/-	----	25.8	35
								3.8/5	10.4/12	25.8/25.8	35/35
								7.5/10	20.8/24.1	35.5/39.6	40/40
								11.3/15	31.2/36.1	48.5/54.6	50/60
								15/20	41.4/47.9	61.3/69.4	70/70
	460-3-60	414	506	6.2	41	0.5	4	-/-	----	12.3	15
								10	12/12	20/20	20/20
15								18/18	27.5/27.5	30/30	
20								24.1/24.1	35.1/35.1	40/40	

ELECTRICAL DATA (CONT)

MODEL SIZE	NOMINAL V-PH-HZ	VOLTAGE RANGE		COMPRESSOR		OFM	IFM	NOMINAL ELECTRIC HEAT kW	POWER SUPPLY		
		MIN	MAX	RLA	LRA	FLA	FLA		FLA	MCA	MOCP
60	208/230-1-60	197	253	23.7	152.5	1	7.6	-/-	-/-	38.3	60
								3.8/5	18.1/20.8	38.3/38.3	60/60
								5.4/7.2	25.9/30	41.9/47	60/60
								7.5/10	36.1/41.7	54.6/61.6	60/70
								11.3/15	54.2/62.5	77.3/87.6	80/90
	208/230-3-60	197	253	15.9	110	1	7.6	-/-	----	28.6	40
								3.8/5	10.4/12	28.6/28.6	40/40
								7.5/10	20.8/24.1	35.5/39.6	40/40
								11.3/15	31.2/36.1	48.5/54.6	50/60
								15/20	41.4/47.9	61.3/69.4	70/70
	460-3-60	414	506	7.1	52	0.5	4	-/-	----	14.2	20
								10	12/12	20/20	20/20
								15	18/18	27.5/27.5	30/30
								20	24.1/24.1	35.1/35.1	40/40

LEGEND

- FLA - Full Load Amps
- IDM - Inducer Motor
- IFM - Indoor Fan Motor
- LRA - Locked Rotor Amps
- MCA - Minimum Circuit Amps
- MOCP - Maximum Over Current Protection
- OFM - Outdoor Fan Motor
- RLA - Rated Load Amps

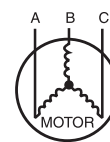
NOTES:

- In compliance with NEC (National Electrical Code) requirements for multimotor and combination load equipment (refer to NEC Articles 430 and 440), the overcurrent protective device for the unit shall be Power Supply fuse or circuit breaker.
- Minimum wire size is based on 60 C copper wire. If other than 60 C wire is used, or if length exceeds wire length in table, determine size from NEC.
- Unbalanced 3-Phase Supply Voltage
Never operate a motor where a phase imbalance in supply voltage is greater than 2%. Use the following formula to determine the percentage of voltage imbalance

% Voltage imbalance

$$= 100 \times \frac{\text{max voltage deviation from average voltage}}{\text{average voltage}}$$

EXAMPLE: Supply voltage is 230-3-60.



- AB = 228 v
- BC = 231 v
- AC = 227 v

$$\begin{aligned} \text{Average Voltage} &= \frac{228 + 231 + 227}{3} \\ &= \frac{686}{3} \\ &= 229 \end{aligned}$$

Determine maximum deviation from average voltage.

- (AB) 229 - 228 = 1 v
- (BC) 231 - 229 = 2 v
- (AC) 229 - 227 = 2 v

Maximum deviation is 2 v.

Determine percent of voltage imbalance

$$\begin{aligned} \% \text{ Voltage Imbalance} &= 100 \times \frac{2}{229} \\ &= 0.8\% \end{aligned}$$

This amount of phase imbalance is satisfactory as it is below the maximum allowable 2%.

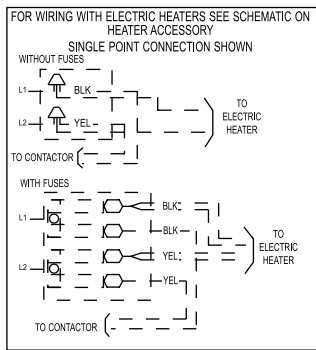
IMPORTANT: If the supply voltage phase imbalance is more than 2%, contact your local electric utility company immediately.

A06564

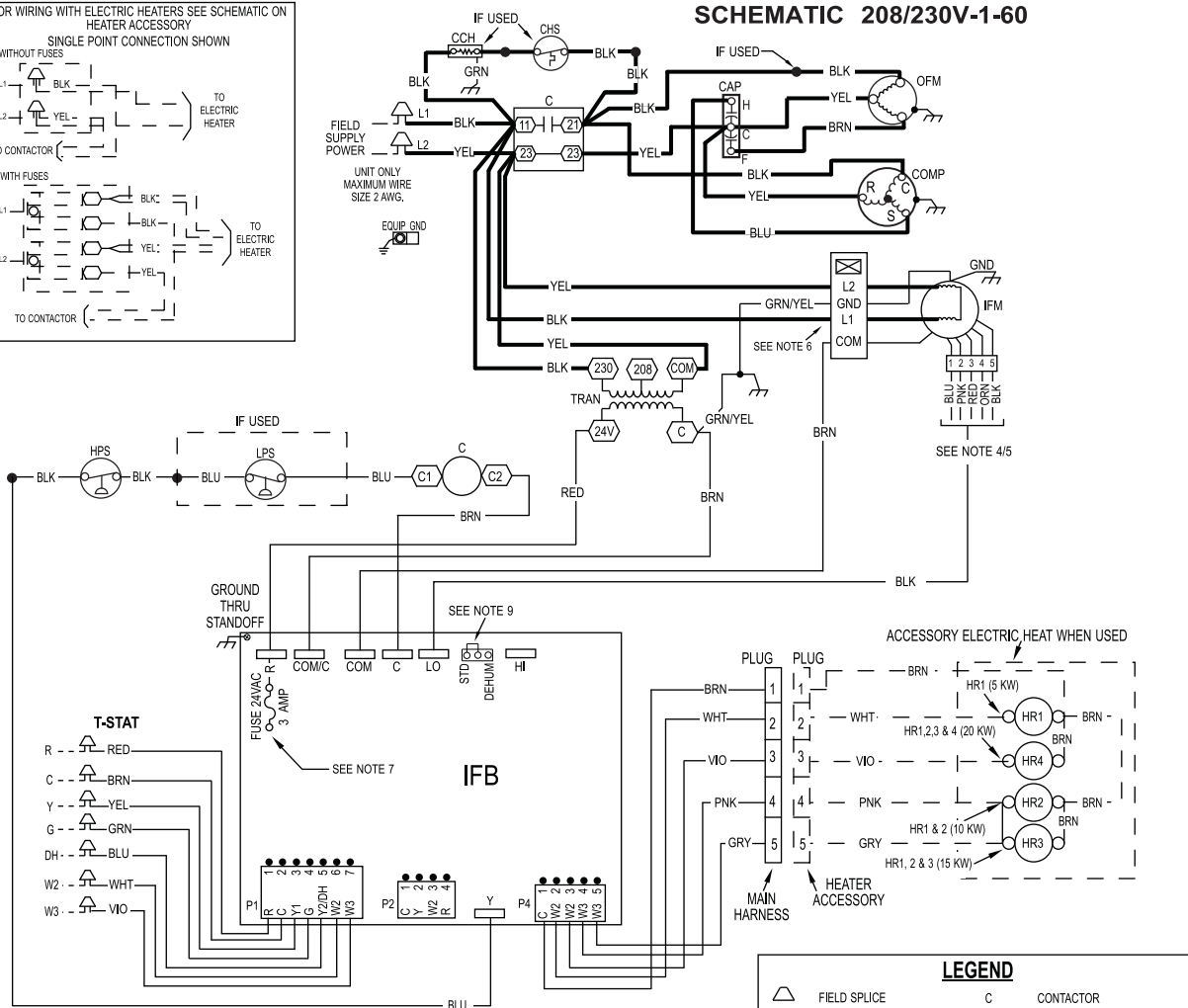
CONNECTION WIRING SCHEMATIC 208/230-1-60

CONNECTION WIRING DIAGRAM

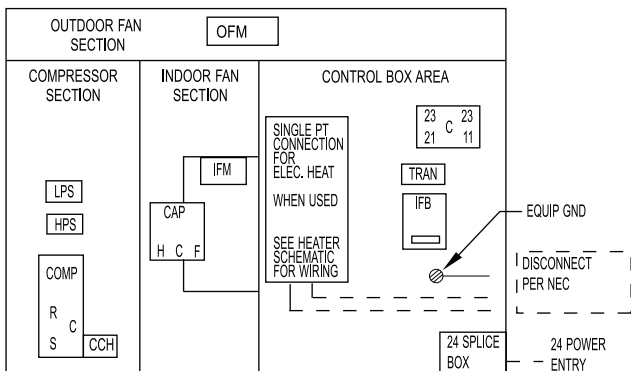
DANGER: ELECTRICAL SHOCK HAZARD DISCONNECT POWER BEFORE SERVICING



SCHEMATIC 208/230V-1-60



UNIT COMPONENT ARRANGEMENT



LEGEND

	FIELD SPLICE	C	CONTACTOR
	TERMINAL (MARKED)	CAP	CAPACITOR
	TERMINAL (UNMARKED)	CCH	CRANKCASE HEATER
	SPLICE	CHS	CRANKCASE HEATER SWITCH
	SPLICE (MARKED)	COMP	COMPRESSOR MOTOR
	FACTORY LO VOLTAGE	CTD	COMPRESSOR TIME DELAY
	FIELD CONTROL WIRING	DH	DEHUM
	FIELD POWER WIRING	GND	GROUND
	ACCESSORY OR OPTIONAL WIRING	HPS	HIGH PRESSURE SWITCH
	FACTORY HI VOLTAGE	HR	HEATER RELAY
		IFB	INDOOR FAN BOARD
		IFM	INDOOR FAN MOTOR
		LPS	LOW PRESSURE SWITCH
		OFM	OUTDOOR FAN MOTOR
		TRAN	TRANSFORMER
		T-STAT	THERMOSTAT

NOTES:

- IF ANY OF THE ORIGINAL WIRES FURNISHED ARE REPLACED IT MUST BE REPLACED WITH THE SAME OR IT'S EQUIVALENT.
- SEE PRE SALE LITERATURE FOR THERMOSTATS.
- USE 75 DEGREES C COPPER CONDUCTORS FOR FIELD INSTALLATION.
- REFER TO INSTALLATION INSTRUCTIONS FOR CORRECT SPEED SELECTION FOR IFM.
- RELOCATION OF SPEED TAPS MAY BE REQUIRED WHEN USING FIELD INSTALLED ELECTRIC HEATERS. CONSULT INSTALLATION INSTRUCTIONS TO DETERMINE CORRECT SPEED TAP SETTING.
- "DO NOT DISCONNECT PLUG UNDER LOAD".
- THIS FUSE IS MANUFACTURED BY LITTLE FUSE, P/N 287003.
- N.E.C. CLASS 2, 24V.
- UNIT FACTORY - SHIPPED IN STD MODE.
- CCH NOT USED ON ALL UNITS.

A150503

LADDER WIRING SCHEMATIC 208/230-1-60

LADDER WIRING DIAGRAM

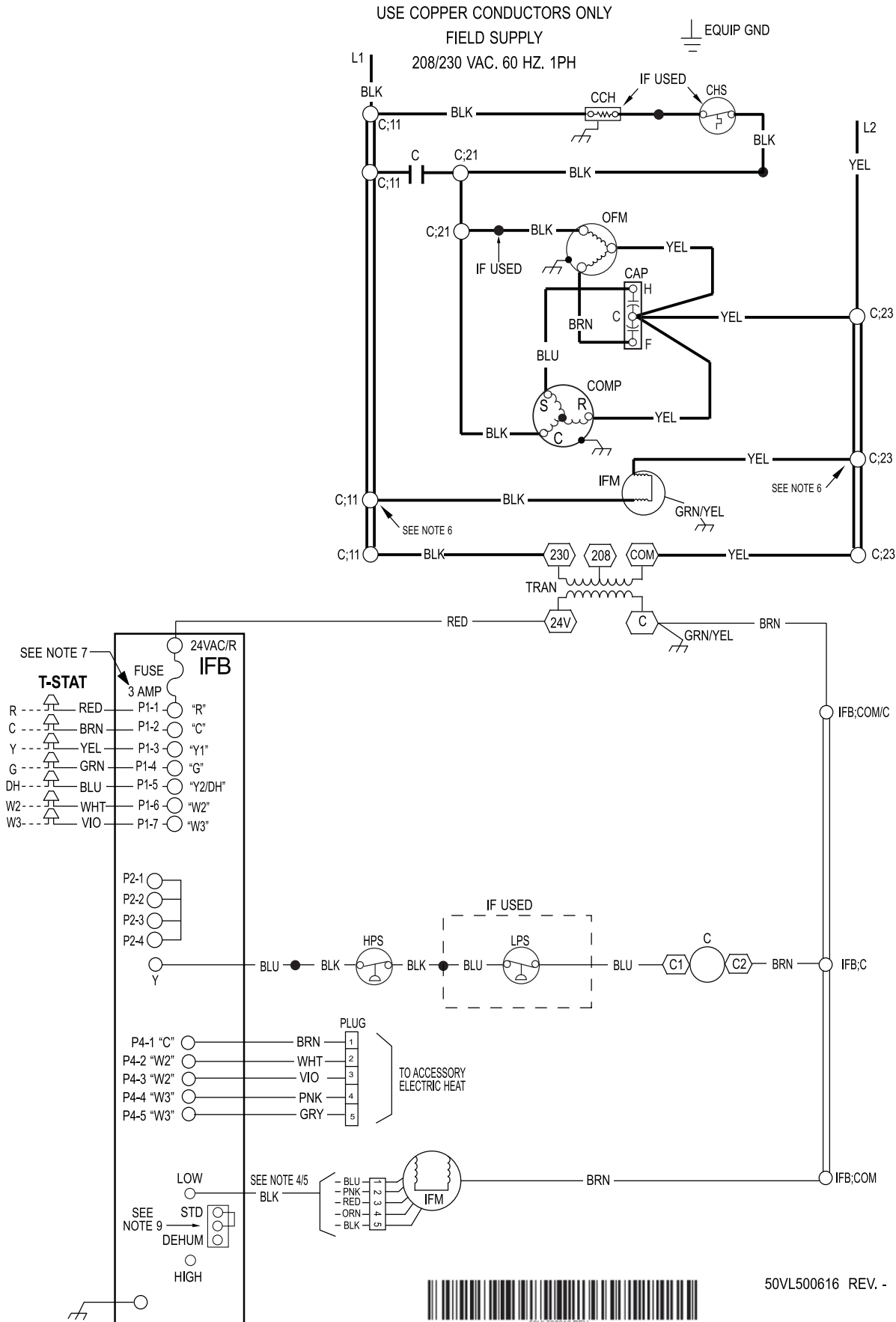
DANGER: ELECTRICAL SHOCK HAZARD DISCONNECT POWER BEFORE SERVICING

USE COPPER CONDUCTORS ONLY

FIELD SUPPLY

EQUIP GND

208/230 VAC. 60 HZ. 1PH



50VL500616 REV. -



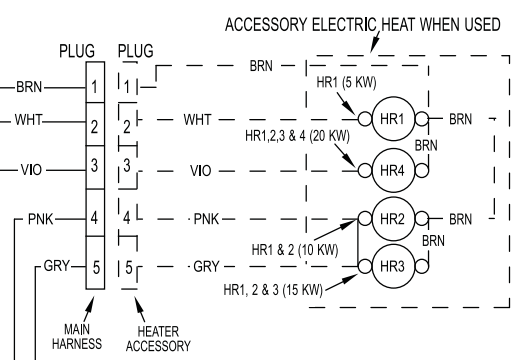
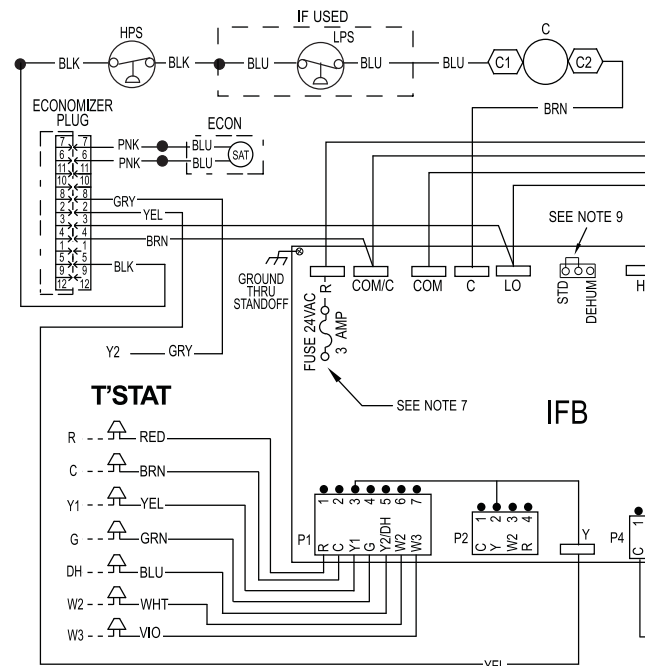
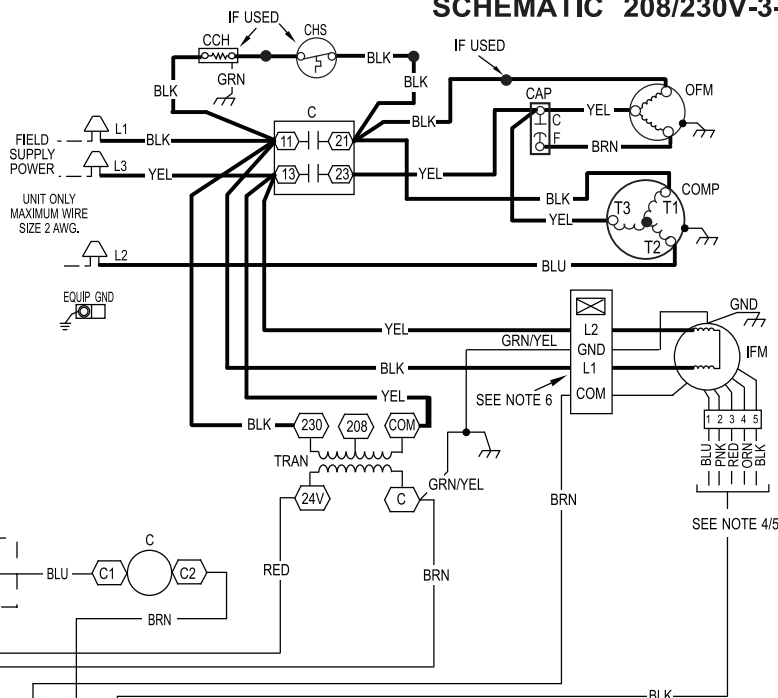
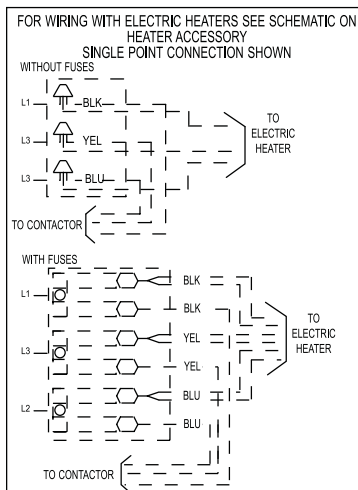
A150513

CONNECTION WIRING SCHEMATIC 208/230-3-60

CONNECTION WIRING DIAGRAM

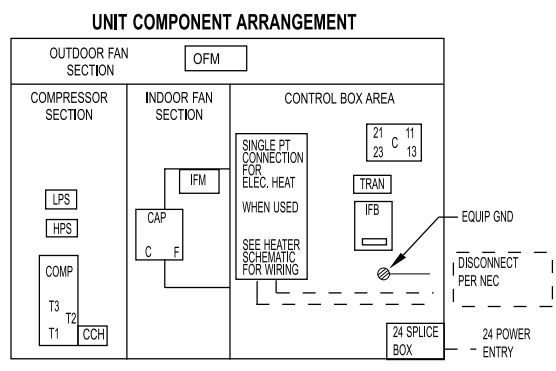
DANGER: ELECTRICAL SHOCK HAZARD DISCONNECT POWER BEFORE SERVICING

SCHEMATIC 208/230V-3-60



LEGEND

	FIELD SPLICE	CCH	CRANKCASE HEATER
	TERMINAL (MARKED)	CHS	CRANKCASE HEATER SWITCH
	TERMINAL (UNMARKED)	COMP	COMPRESSOR MOTOR
	SPLICE	CTD	COMPRESSOR TIME DELAY
	SPLICE (MARKED)	DH	DEHUMIDIFICATION MODE
	FACTORY LO VOLTAGE	DEHUM	DEHUMIDIFICATION MODE
	FIELD CONTROL WIRING	ECON	ECONOMIZER
	FIELD POWER WIRING	GND	GROUND
	ACCESSORY OR OPTIONAL WIRING	HPS	HIGH PRESSURE SWITCH
	FACTORY HI VOLTAGE	HR	HEATER RELAY
		IFB	INDOOR FAN BOARD
		IFM	INDOOR FAN MOTOR
		LPS	LOW PRESSURE SWITCH
		OFM	OUTDOOR FAN MOTOR
		STD	STANDARD MODE
		TRAN	TRANSFORMER
		T-STAT	THERMOSTAT



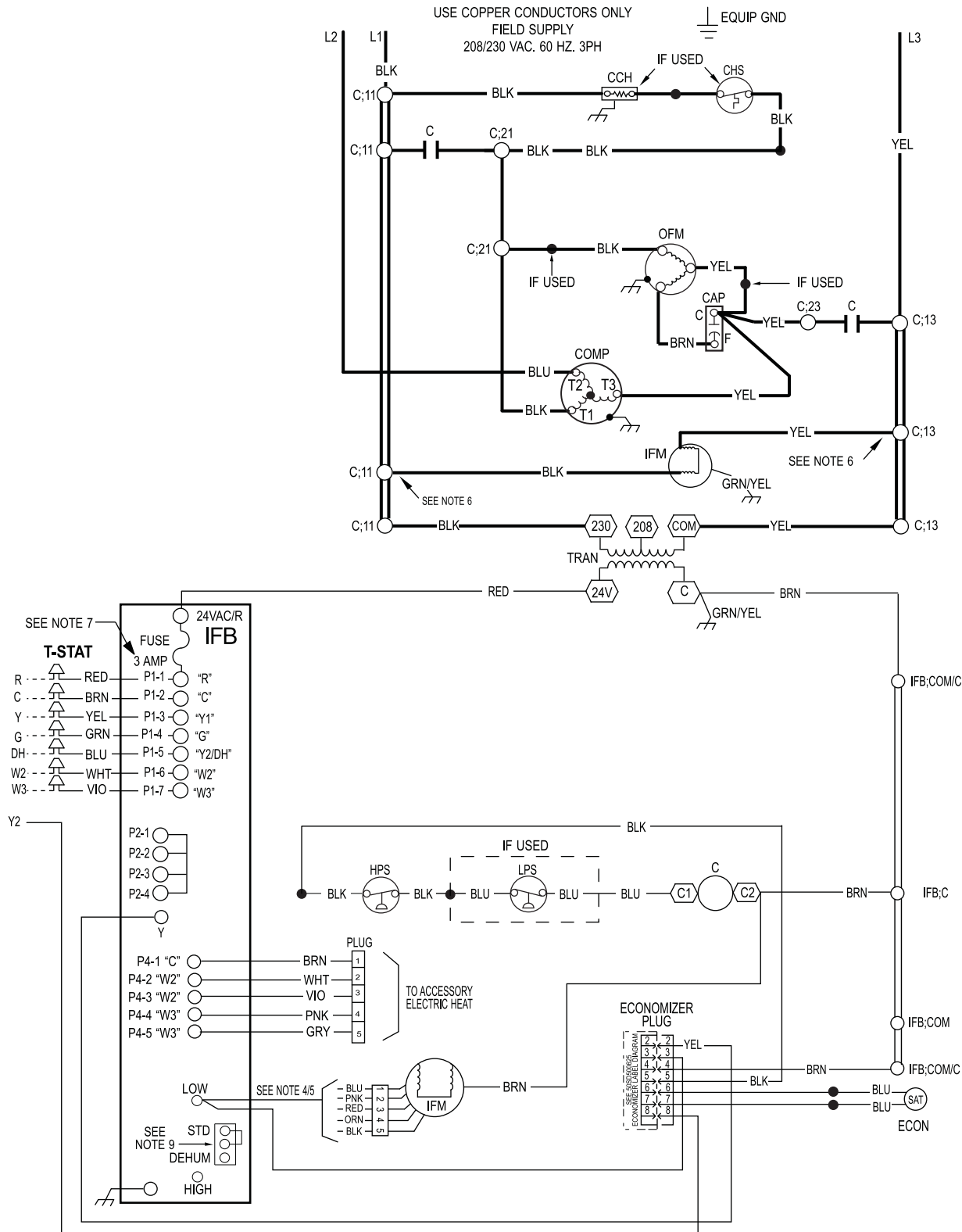
NOTES:

- IF ANY OF THE ORIGINAL WIRES FURNISHED ARE REPLACED IT MUST BE REPLACED WITH THE SAME OR IT'S EQUIVALENT.
- SEE PRE SALE LITERATURE FOR THERMOSTATS.
- USE 75 DEGREES C COPPER CONDUCTORS FOR FIELD INSTALLATION.
- REFER TO INSTALLATION INSTRUCTIONS FOR CORRECT SPEED SELECTION FOR IFM.
- RELOCATION OF SPEED TAPS MAY BE REQUIRED WHEN USING FIELD INSTALLED ELECT CONSULT INSTALLATION INSTRUCTIONS TO DETERMINE CORRECT SPEED TAP SETTING.
- "DO NOT DISCONNECT PLUG UNDER LOAD".
- THIS FUSE IS MANUFACTURED BY LITTLE FUSE, P/N 287003.
- N.E.C. CLASS 2, 24V.
- DEHUM FEATURE CANNOT BE USED WHEN ECONOMIZER IS INSTALLED. UNIT FACTORY - SHIPPED IN STD MODE.
- CCH NOT USED ON ALL UNITS.

LADDER WIRING SCHEMATIC 208/230-3-60

LADDER WIRING DIAGRAM

DANGER: ELECTRICAL SHOCK HAZARD DISCONNECT POWER BEFORE SERVICING



50VL500617 REV. -



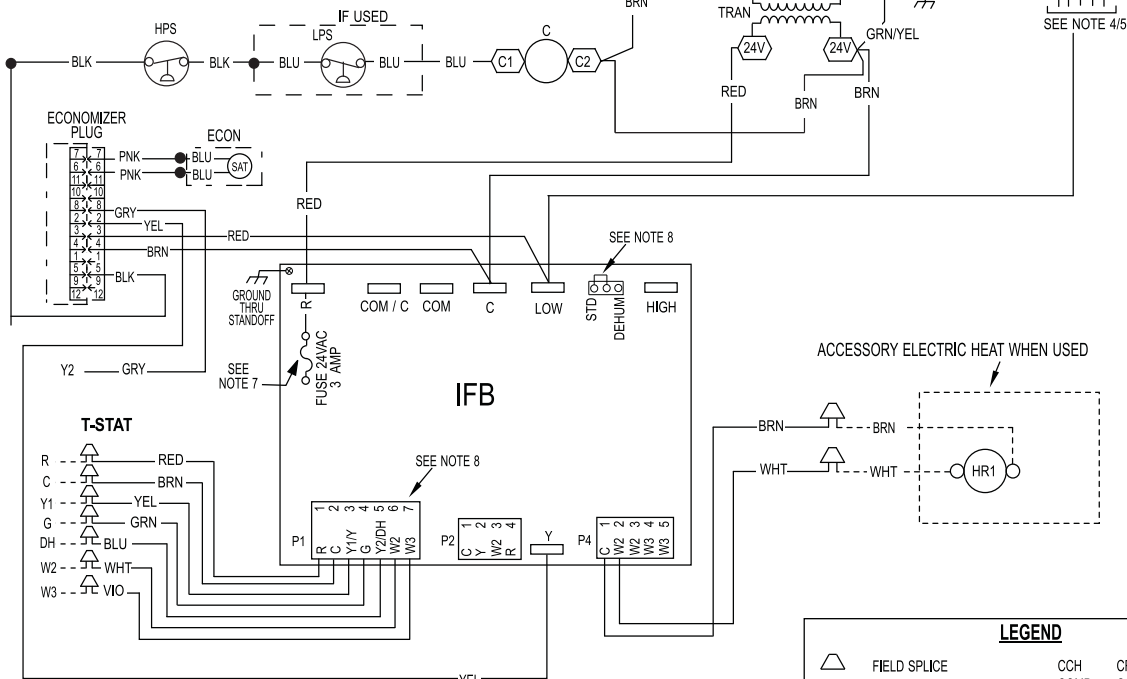
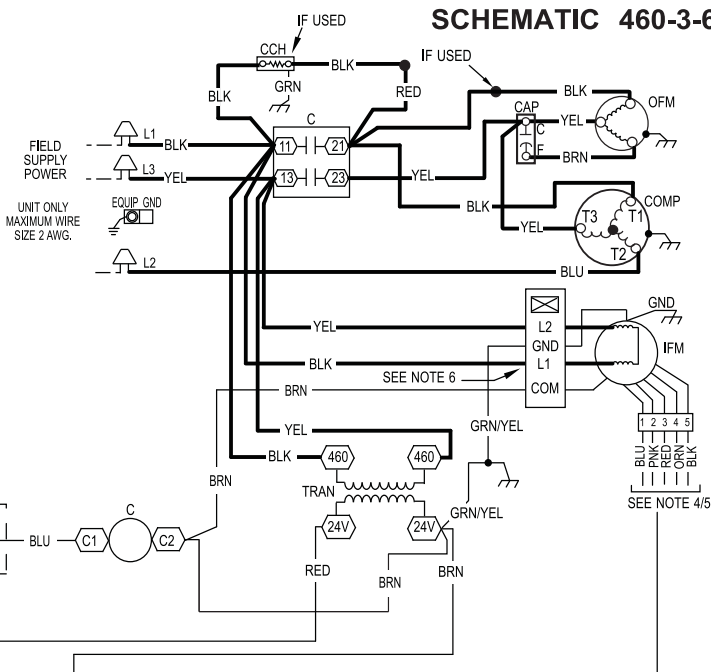
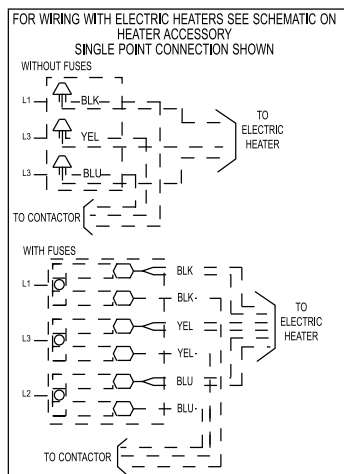
A150514

CONNECTION WIRING SCHEMATIC 460-3-60

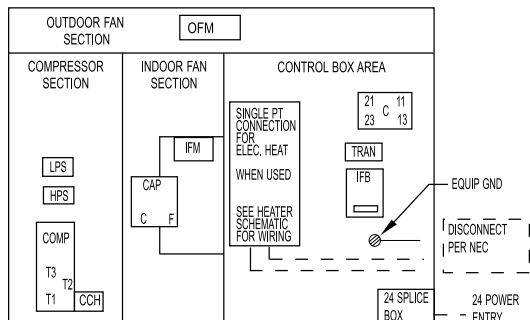
CONNECTION WIRING DIAGRAM

DANGER: ELECTRICAL SHOCK HAZARD DISCONNECT POWER BEFORE SERVICING

SCHEMATIC 460-3-60



UNIT COMPONENT ARRANGEMENT



LEGEND			
	FIELD SPLICE	CCH	CRANKCASE HEATER
	TERMINAL (MARKED)	COMP	COMPRESSOR MOTOR
	TERMINAL (UNMARKED)	DH	DEHUMIDIFICATION MODE
	SPLICE	DEHUM	DEHUMIDIFICATION MODE
	SPLICE (MARKED)	ECON	ECONOMIZER
	FACTORY LO VOLTAGE	GND	GROUND
	FIELD CONTROL WIRING	HPS	HIGH PRESSURE SWITCH
	FIELD POWER WIRING	HR	HEATER RELAY
	ACCESSORY OR OPTIONAL WIRING	IFB	INDOOR FAN BOARD
	FACTORY HI VOLTAGE	IFM	INDOOR FAN MOTOR
	C	LPS	LOW PRESSURE SWITCH
	CAP	OFM	OUTDOOR FAN MOTOR
		STD	STANDARD MODE
		TRAN	TRANSFORMER
		T-STAT	THERMOSTAT

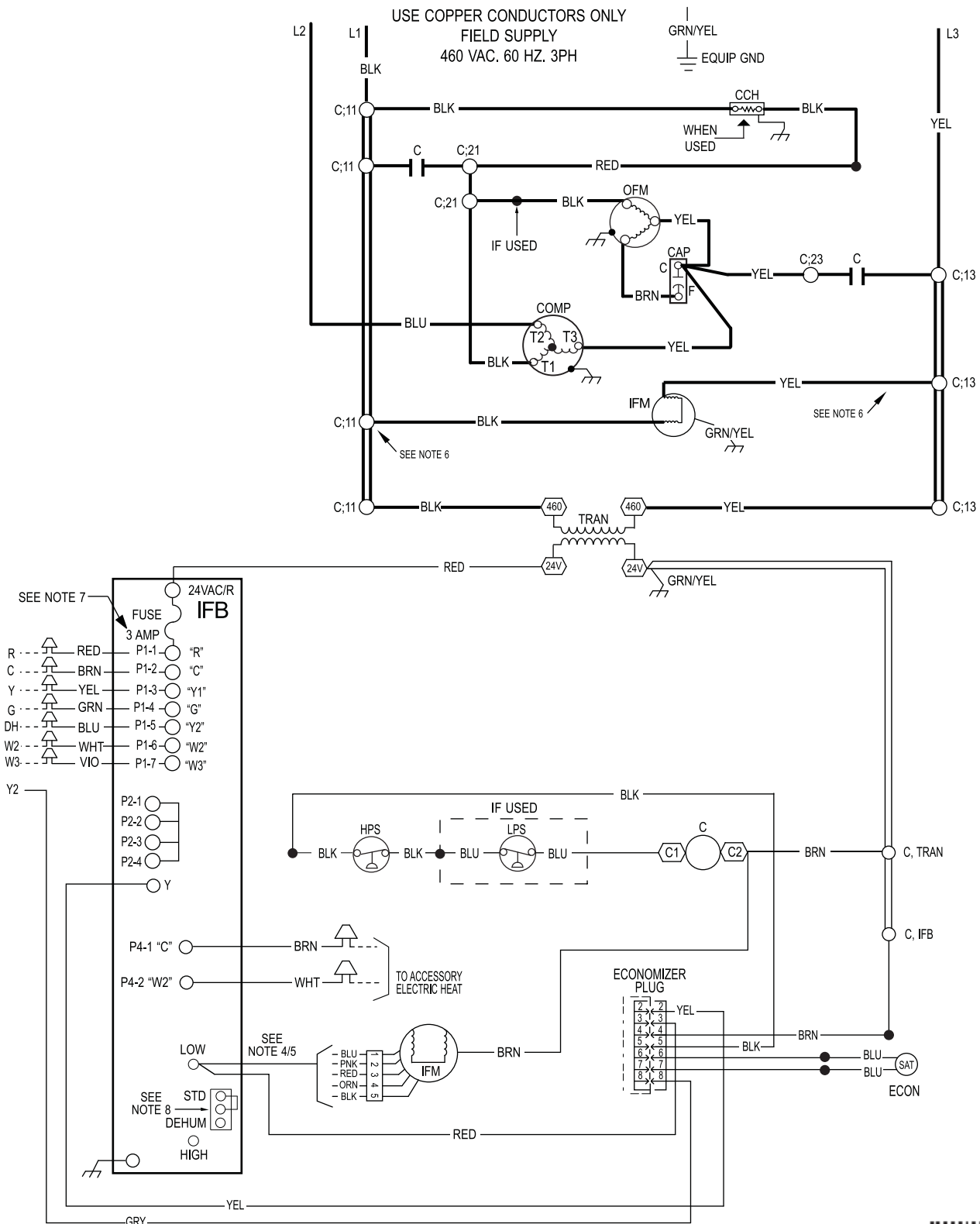
NOTES:

- IF ANY OF THE ORIGINAL WIRES FURNISHED ARE REPLACED IT MUST BE REPLACED WITH THE SAME OR IT'S EQUIVALENT.
- SEE PRE SALE LITERATURE FOR THERMOSTATS.
- USE 75 DEGREES C COPPER CONDUCTORS FOR FIELD INSTALLATION.
- REFER TO INSTALLATION INSTRUCTIONS FOR CORRECT SPEED SELECTION FOR IFM.
- RELOCATION OF SPEED TAPS MAY BE REQUIRED WHEN USING FIELD INSTALLED ELECTRIC HEATERS. CONSULT INSTALLATION INSTRUCTIONS TO DETERMINE CORRECT SPEED TAP SETTING.
- "DO NOT DISCONNECT PLUG UNDER LOAD".
- THIS FUSE IS MANUFACTURED BY LITTLE FUSE, P/N 287003.
- DEHUM FEATURE CANNOT BE USED WHEN ECONOMIZER IS INSTALLED.
- UNIT FACTORY - SHIPPED IN STD MODE.
- N.E.C. CLASS 2, 24V.
- CCH NOT USED ON ALL UNITS.

LADDER WIRING SCHEMATIC 460-3-60

LADDER WIRING DIAGRAM

DANGER: ELECTRICAL SHOCK HAZARD DISCONNECT POWER BEFORE SERVICING



50VL500619 REV. -

50VL500619 REV. -



A150515

CONTROLS

Operating sequence

Cooling — When the system thermostat calls for cooling, 24 V is supplied to the “Y” and “G” terminals of the thermostat. This completes the circuit to the contactor coil (C) and indoor (evaporator) fan relay (IFR). The normally open contacts of energized C close and complete the circuit through compressor motor (COMP) to outdoor (condenser) fan motor (OFM). Both motors start instantly. The set of normally open contacts of energized IFR close and complete the circuit through IFM. The IFM starts instantly.

On the loss of the thermostat call for cooling, 24 V is removed from both the “Y” and “G” terminals (provided the fan switch is in the “AUTO” position) de-energizing the compressor contactor and opening the contacts supplying power to compressor/OFM. After a 90-second delay, the IFM shuts off. If the thermostat fan selector switch is in the “ON” position, the IFM will run continuously. For the 460 V units there is a step down autotransformer supplying 230 V to the Indoor Fan Motor.

NOTE: On units with a Time Guard® II device: Once the compressor has started and then stopped, it cannot be restarted again until 5 minutes have elapsed.

Heating — If accessory electric heaters are installed, on a call for heat, circuit R-W is made through the thermostat contacts. Circuit R-G is made which energizes the IFR. If the heaters are staged, then the thermostat closes a second set of contacts (W2) when second stage is required. When thermostat is satisfied, contacts open, deenergizing the heater relay and the IFR.

GUIDE SPECIFICATIONS

Packaged Air Conditioner System Constant Volume Application HVAC Guide Specifications

Size Range: **2 to 5 Tons, Nominal Cooling**

SYSTEM DESCRIPTION

Outdoor rooftop mounted or ground mounted, electric cooling unit utilizing a hermetic scroll compressor for cooling duty. Unit shall discharge supply air vertically or horizontally as shown on contract drawings. Condenser fan/coil section shall have a draw-thru design with vertical discharge for minimum sound levels.

QUALITY ASSURANCE

- A. Unit shall be rated in accordance with AHRI Standards 210/240 and 270-1995.**
- B. Unit shall be designed in accordance with UL Standard 1995.**
- C. Unit shall be manufactured in a facility registered to ISO 9001 manufacturing quality standard.**
- D. Unit shall be UL listed and c-UL certified as a total package for safety requirements.**
- E. Roof curb shall be designed to conform to NRCA Standards.**
- F. Insulation and adhesives shall meet NFPA 90A requirements for flame spread and smoke generation.**
- G. Cabinet insulation shall meet ASHRAE Standard 62P.**

DELIVERY, STORAGE AND HANDLING

Unit shall be stored and handled per manufacturer's recommendations.

Part 2 — Products

EQUIPMENT

A. General:

Factory-assembled, single-piece, heating and cooling unit. Contained within the enclosure shall be all factory wiring, piping, controls, refrigerant charge with R-410A refrigerant, and special features required prior to field start-up.

B. Unit Cabinet:

1. Unit cabinet shall be constructed of phosphated, zinc-coated, pre-painted steel capable of with-standing 500 hours in salt spray.
2. Normal service shall be through 3 removable cabinet panels.
3. The unit shall be constructed on a rust proof unit base that has an externally trapped, integrated sloped drain.
4. Evaporator fan compartment top surface shall be insulated with a minimum 1/2-in. (12.7 mm) thick, flexible fiberglass insulation, coated on the air side and retained by adhesive and mechanical means. The evaporator wall sections will be insulated with a minimum semi-rigid foil-faced board capable of being wiped clean. Aluminum foil-faced fiberglass insulation shall be used in the entire indoor air cavity section.
5. Unit shall have a field-supplied condensate trap.

C. Fans:

1. The evaporator fan shall be an ECM Motor.
2. Fan wheel shall be made from steel, be double-inlet type with forward curved blades with corrosion resistant finish. Fan wheel shall be dynamically balanced.
3. Condenser fan shall be direct drive propeller type with aluminum blades riveted to corrosion resistant steel spiders, be dynamically balanced, and discharge air vertically.

D. Compressor:

1. Fully hermetic compressors with factory-installed vibration isolation.

E. Coils:

Evaporator and condenser coils shall have aluminum plate fins mechanically bonded to seamless copper tubes with all joints brazed. Tube sheet openings shall be belled to prevent tube wear.

F. Refrigerant Components:

Refrigerant expansion device shall be of the TXV (thermostatic expansion valve) or fixed orifice type.

G. Filters:

Filter section shall consist of field-installed, throwaway, 1-in. (25 mm) thick fiberglass filters of commercially available sizes.

H. Controls and Safeties:

1. Unit controls shall be complete with a self-contained low voltage control circuit.
2. Compressors shall incorporate a solid-state compressor protector that provides reset capability.

I. Operating Characteristics:

1. Unit shall be capable of starting and running at 125°F (51°C) ambient outdoor temperature per maximum load criteria of AHRI Standard 210.
2. Compressor with standard controls shall be capable of operation down to 40°F (4°C) ambient outdoor temperature.
3. Units shall be provided with fan time delay to prevent cold air delivery before the heat exchanger warms up.
4. Unit shall be provided with 60-second fan time delay after the thermostat is satisfied.

GUIDE SPECIFICATIONS (CONT)

J. Electrical Requirements:

All unit power wiring shall enter the unit cabinet at a single location.

K. Motors:

1. Compressor motors shall be of the refrigerant-cooled type with line-break thermal and current overload protection.
2. All fan motors shall have permanently lubricated bearings, and inherent, automatic reset, thermal overload protection.

L. Special Features:

1. Compressor Start Kit (single phase units only):
Shall provide additional starting torque for single-phase compressors.
2. Thermostat:
To provide for one-stage heating and cooling in addition manual or automatic changeover and indoor fan control.
3. Crankcase Heater:
Shall provide anti-floodback protection for low-load cooling applications.
4. Economizer:
(Horizontal – Field installed accessory)
(Vertical – Field installed accessory)
 - a. Economizer controls capable of providing free cooling using outside air.
 - b. Equipped with low leakage dampers not to exceed 3% leakage, at 1.0 in. W.C. pressure differential.
 - c. Spring return motor shuts off outdoor damper on power failure.
5. Electric Heaters:
 - a. Electric heater shall be available as a field-installed option.

- b. Heater elements shall be open wire type, adequately supported and insulated with ceramic bushings.
- c. Electric heater packages must provide single point power connection capability.

6. Filter Rack Kit:

Shall provide filter mounting for downflow applications. Offered as a field installed accessory.

7. Flat Roof Curb:

Curbs shall have seal strip and a wood nailer for flashing and shall be installed per manufacturer's instructions.

8. Low Ambient Package:

Shall consist of a solid-state control and condenser coil temperature sensor for controlling condenser-fan motor operation, which shall allow unit to operate down to 0°F (-17.7°C) outdoor ambient temperature when properly installed.

9. Manual Outdoor Air Damper:

Package shall consist of damper, birdscreen, and rainhood which can be preset to admit outdoor air for year-round ventilation.

10. Square-To-Round Duct Transitions (24–48 size):

Shall have the ability to convert the supply and return openings from rectangular to round.

11. Dual Point Electric Heaters

Allows you to power the electric heater and unit contactor separately by having two individual field power supply circuits connected respectively.

12. Low Pressure Switch

Kit is designed for use when a low pressure control is desired. This kit provides added reliability for the compressor. Offered as a field installed accessory.

ACCESSORIES

PAD4 ACCESSORIES		
Accessory Model Number	Description	Use With
CURBS		
CPRFCURB011A00	Roof Curb, 14" High	24 – 60
CPRFCURB013A00	Roof Curb, 14" High	42 – 60
Note: CPRFCURB011A00 can be used with 42–60 size units with some overhang.		
ADAPTER CURBS*		
CPADCURB001A00	Adapter curb for use with NPRFCURB006A00 & NPRFCURB007A00	24 – 36
CPADCURB002A00	Adapter curb for use with NPRFCURB008A00 & NPRFCURB009A00	42 – 60
* Can also be used when replacing other manufacturer's older generation units that contain a composite base without a metal base rail.		
CONCENTRIC ADAPTERS – (Use with curb only)		
NPCONADP001A00	For 18" round duct (use with curb CPRFCURB011A00)	Small Curb
NPCONADP002A00	For 18" round duct (use with curb CPRFCURB013A00)	Large Curb
ECONOMIZERS		
CPECOMZR007B00	Dedicated Vertical Economizer – Internal with solid state controller, gear driven, fully modulating damper, spring return actuator, up to 50% barometric relief, supply and dry bulb outdoor air sensors. Includes filter rack with 1" filters.	24 – 36
CPECOMZR008A00		42 – 48
CPECOMZR009A00		60
CPECOMZR010A00	Dedicated Horizontal Economizer – Internal with solid state controller, fully modulating damper, spring return actuator, supply and dry bulb outdoor air sensor, and low ambient compressor lockout switch included. Includes filter rack with 1-inch filters.	24 – 36
CPECOMZR011A00		42 – 48
CPECOMZR012A00		60
AXB078ENT	Outdoor Enthalpy Control	ALL
* Outdoor enthalpy available as field installed accessory; Filter rack and 1" filter, same as CPFILTRK kit		
DAMPERS		
CPMANDPR007A00	Manual Outside Air Damper – (Includes filter rack and 1" filter, same as CPFILTRK kit)	24 – 36
CPMANDPR008A00		42 – 48
CPMANDPR009A00		60
INTERNAL FILTER RACKS		
CPFILTRK007A00	Internal Filter Rack (includes 1-inch filters)	24 – 36
CPFILTRK008A00		42 – 48
CPFILTRK009A00		60
LOW AMBIENT, ANTI-CYCLE TIMER, COMPRESSOR START ASSIST		
CPLOWAMB001A00 (AXB035LAA)	Low Ambient Control – enables cooling system to operate down to 0 Deg. F by cycling condenser fan on and off.	ALL
NRTIMEGD001A00	Five Minute Compressor Delay	ALL
CPHSTART002A00	PTC Compressor Start Assist Kit	ALL
CRANKCASE HEATER – BELLY BAND TYPE		
CPCRKHTR008A00	240V Crankcase Heater single or 3-phase	24 – 36
CPCRKHTR004A00	240V Crankcase Heater single	30
CPCRKHTR004A00	240V Crankcase Heater single or 3-phase	42 – 60
CPCRKHTR009A00	460V Crankcase Heater	36
CPCRKHTR005A00	460V Crankcase Heater	42 – 60
HAIL GUARDS / COIL PROTECTION (Factory installed on PAD4 "TP" models)		
NAPA00501GR	3/8" spacing dense wire grilles 14"	24
NAPA00701GR	3/8" spacing dense wire grilles 16"	30
NAPA01401GR	3/8" spacing dense wire grilles 22"	36
NAPA00601GR	3/8" spacing dense wire grilles 14"	42
NAPA01201GR	3/8" spacing dense wire grilles 16"	48
NAPA01301GR	3/8" spacing dense wire grilles 24"	60
DUCT TRANSITIONS		
NPDUCFLG002A00	Square to Round (1 set of 2, use with horizontal duct flanges only)	24–48
LOW PRESSURE SWITCH		
CPLPSCTL001A00	Low Pressure Switch Kit (Standard on 24 size)	30–60

ACCESSORIES (CONT)

PAD4 ACCESSORIES

ELECTRIC HEATERS PART NO.	Voltage / Nominal Capacity kW / Fuses			
	NOMINAL CAPACITY (kW)	FUSED	STAGES	USED WITH
208/230V – 1 PHASE – 60 HZ				
CPHEATER052A0*	3.8 / 5.0	NO	1	ALL
CPHEATER064A0*	3.8 / 5.0	YES	1	ALL
CPHEATER069A0*	5.4 / 7.2	NO	1	ALL
CPHEATER070A0*	5.4 / 7.2	YES	1	ALL
CPHEATER065A0*	7.5 / 10.0	NO	1	24 – 42
CPHEATER050A0*	7.5 / 10.0	YES	1	ALL
CPHEATER051A0*	11.3 / 15.0	YES	2	30 – 42
CPHEATER066A0*	11.3 / 15.0	YES	2	30 – 60
CPHEATER053A0*	15.0 / 20.0	YES	2	42
CPHEATER054A0*	15.0 / 20.0	YES	2	42 – 60
208/230V – 3 PHASE – 60 HZ				
CPHEATER055A0*	3.8 / 5.0	NO	1	36 – 60
CPHEATER056A0*	7.5 / 10.0	NO	1	36 – 60
CPHEATER068A0*	7.5 / 10.0	YES	1	36 – 60
CPHEATER057A0*	11.3 / 15.0	NO	1	36 – 60
CPHEATER058A0*	11.3 / 15.0	YES	1	36 – 60
CPHEATER059A0*	15.0 / 20.0	YES	1	48 – 60
460V – 3 PHASE – 60 HZ				
CPHEATER061A0*	3.8 / 5.0	NO	1	36 – 60
CPHEATER062A0*	7.5 / 10.0	NO	1	36 – 60
CPHEATER063A0*	7.5 / 10.0	NO	1	36 – 60

* Denotes digit can be 0, 1, or 2

NOTE: If installing an accessory heater, the thermostat must have capability to energize “G” (fan) on a call for “W” (electric heat). TSTAT0406 and TSTAT0408 contain this feature.