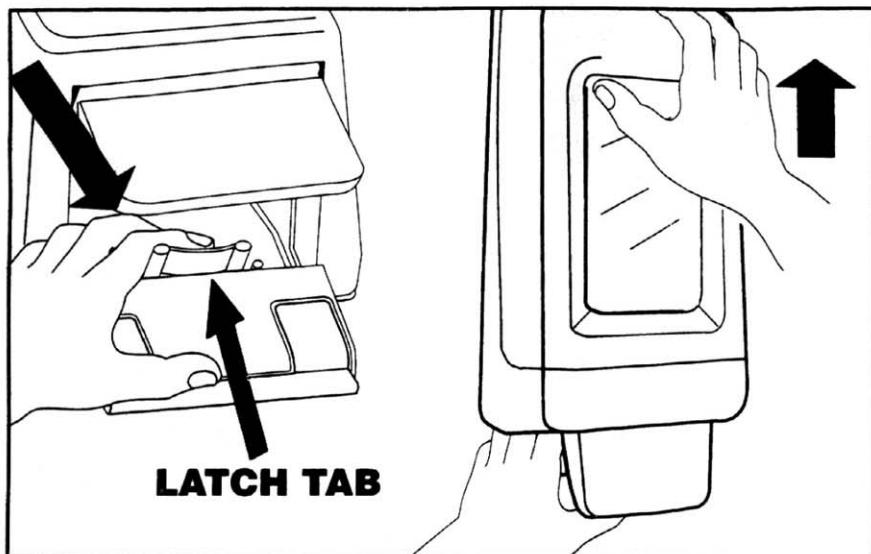
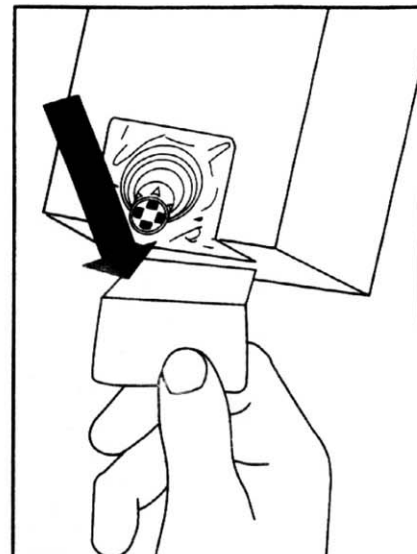


HAND CLEANER REFILL LOADING INSTRUCTIONS

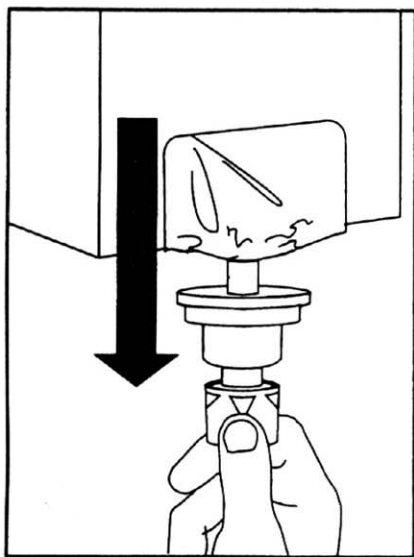
Note: Do not remove bag from box.



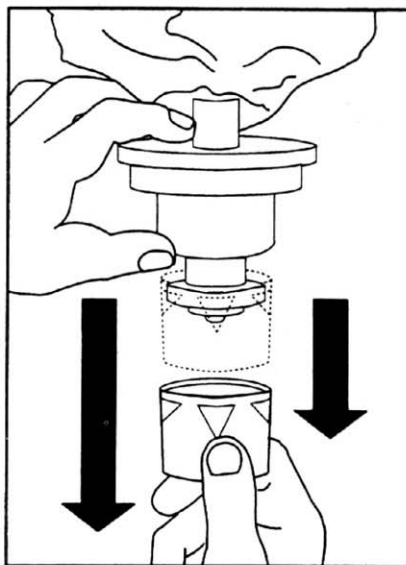
1 Open dispenser by pulling down latch tab behind push bar and pushing up on cabinet.



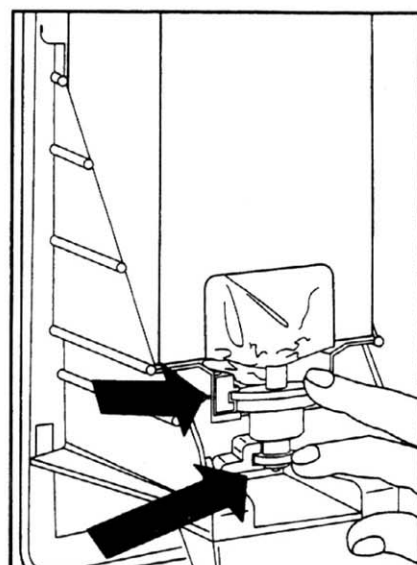
2 Completely remove tear tab at bottom of carton. (Do not remove bag from box)



3 Pull nozzle (attached to bag) down and out of opening.



4 Remove and discard red cap from nozzle.



5 Place carton into dispenser, slide nozzle into both slots, and close cover.

DISPENSER MOUNTING METHOD

TAPE 'N GLUE METHOD

Recommended for cement and concrete block, ceramic tile, steel and other smooth surfaces.

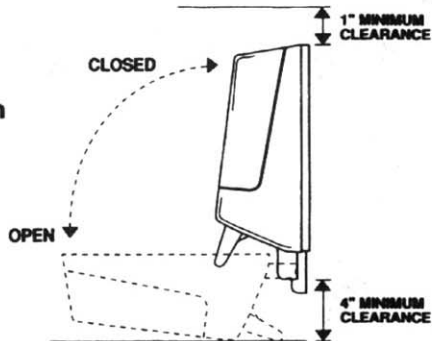
SCREW MOUNT METHOD

Recommended for dry wall and stud wall surfaces.

STEP 1

Determine Mounting Position

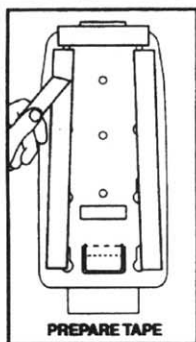
Locate desired position on wall. Allow 4 inches at bottom and 1 inch at top of dispenser for proper clearance.



STEP 2

Prepare Tape

Carefully remove paper backing from tape on back of dispenser.

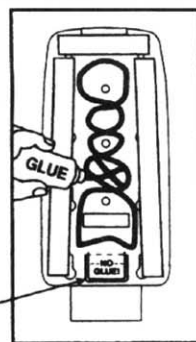


STEP 3

Apply Glue

Apply thick bead of dispenser adhesive on back of dispenser as shown.

Important:
No Glue Here



STEP 4

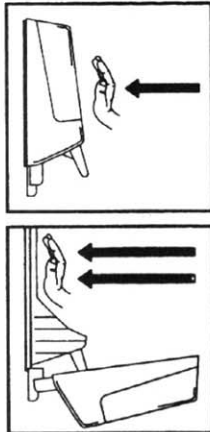
Mount Dispenser

Firmly press closed dispenser on pre-determined location on wall.

Unlatch cover and press firmly against back plate to ensure maximum contact of tape and glue with wall surface.

Wait 5 minutes.

Note: See back of this sheet for instructions on unlatching dispenser



STEP 5

Unlatch & Load Dispenser

See back of this instruction sheet for Loading Instructions.

SCREW MOUNT INSTRUCTIONS

Dry Wall: "A" Holes

1. Use dispenser back plate as template, then drill 9/32" diameter holes.
2. Insert lag shields in holes.
3. Install 1/4" diameter x 1" long lag screw through back and fasten to wall. Tighten screws securely.

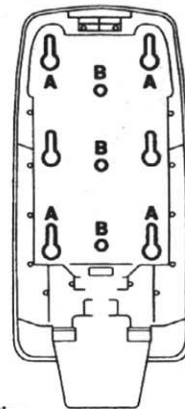
Stud Wall: "B" Holes

1. Locate stud.
2. Using dispenser back plate as template - mark, then drill 9/32" holes.
3. Install 1/4" x 1" long wood screws through dispenser back and fasten to stud.
4. Tighten screws securely - don't overtighten.

Note: "(B)" holes are also placed for tile mounting

SCREW MOUNT METHOD

A = DRY WALL
B = STUD WALL



CIRCULAR WASH FOUNTAIN MOUNTING

Call or Write GOJO Industries for information regarding adapter kit for mounting dispenser on circular wash fountains

GOJO Industries Inc.
P.O. Box 991
Akron, OH 44309
Toll Free
1-800-321-9647

ADJUSTABLE OUTPUT

Use flat head screw driver to adjust output as shown.

