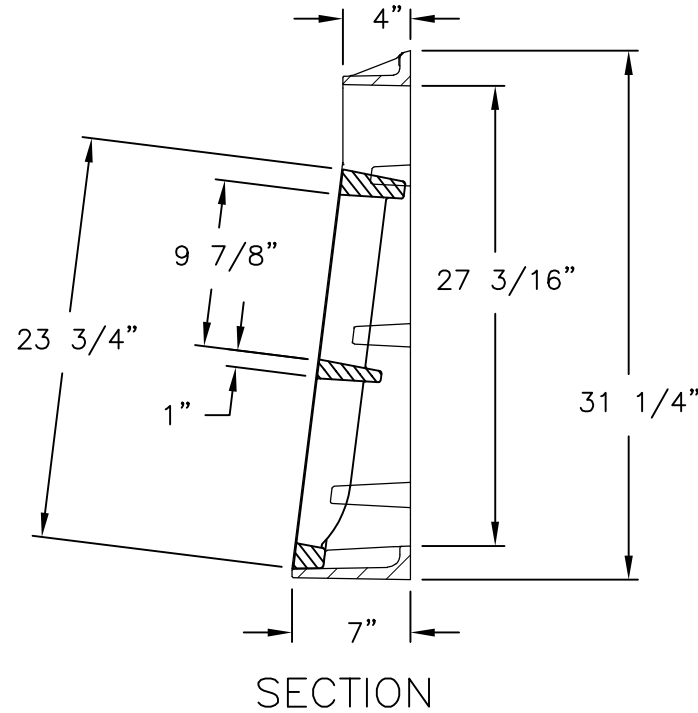
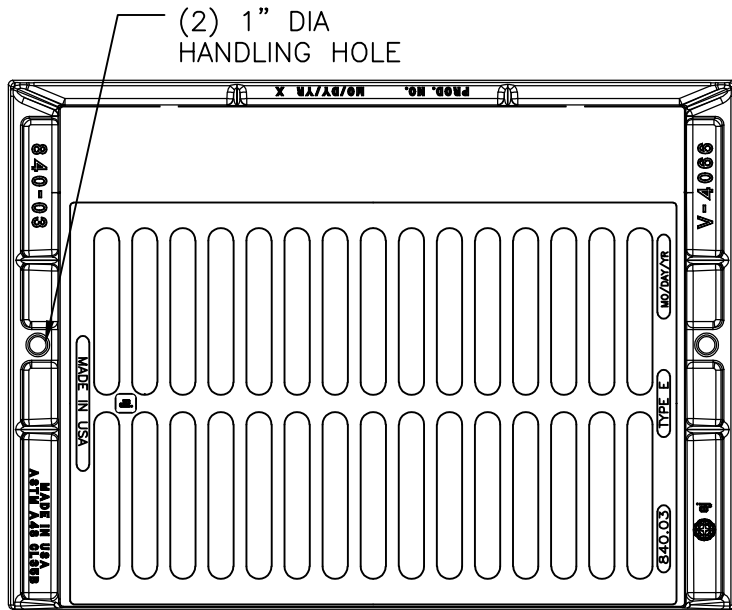


# V4066FR V4066-1 GR Assembly



## Product Number

44066001

## Design Features

- Materials
  - Curb Inlet Frame  
Gray Iron (CL35B)
  - Grate  
Gray Iron (CL35B)

- Design Load  
Heavy Duty

- Open Area  
427 Sq. Inches

- Coating  
Undipped

- √ Designates Machined Surface

## Certification

- ASTM A48

- Country of Origin: USA

## Major Components

44066013

44066130

## Drawing Revision

06/04/2015 Designer: DAE

8/25/2022 Revised By: JIJ

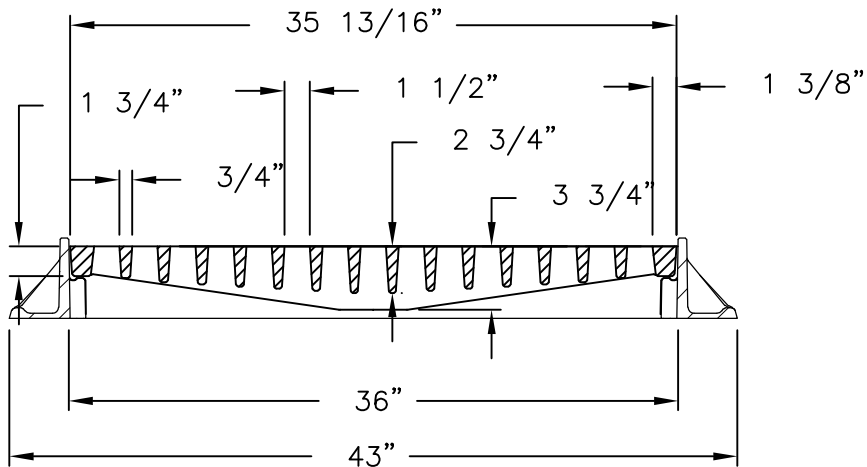
## Disclaimer

Weights (lbs./kg) dimensions (inches/mm) and drawings provided for your guidance. We reserve the right to modify specifications without prior notice.

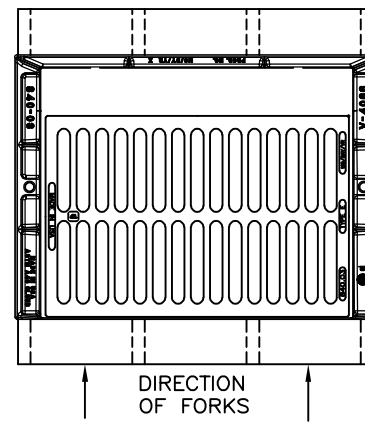
CONFIDENTIAL: This drawing is the property of EJ GROUP, Inc., and embodies confidential information, registered marks, patents, trade secret information, and/or know how that is the property of EJ GROUP, Inc. Copyright © 2012 EJ GROUP, Inc. All rights reserved.

## Contact

800 626 4653  
ejco.com



SECTION



ORIENTATION OF UNITS ON PALLET