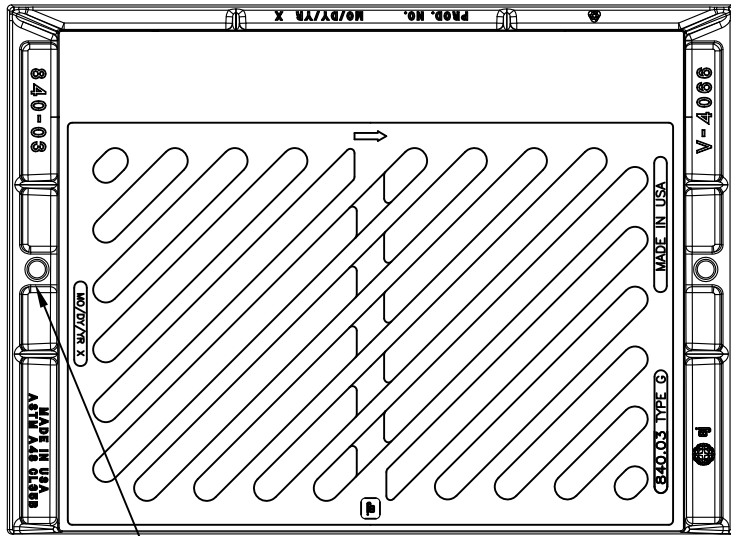
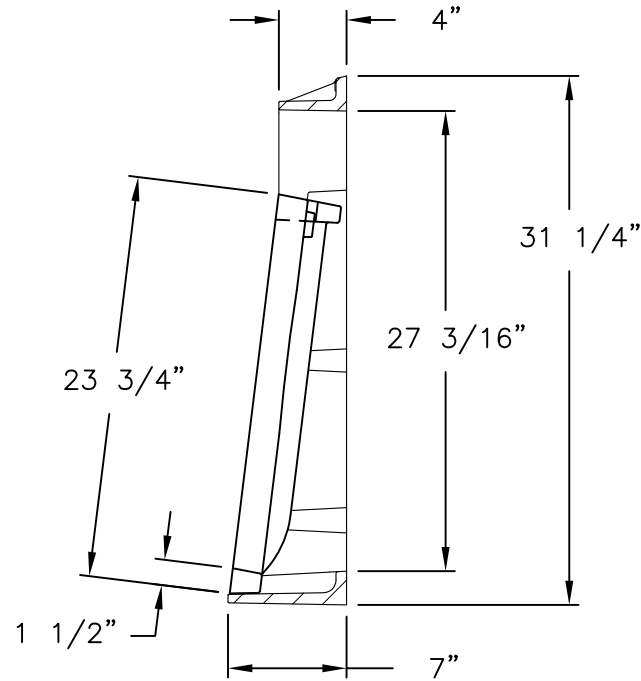


V4066FR V4066-4GR Assembly

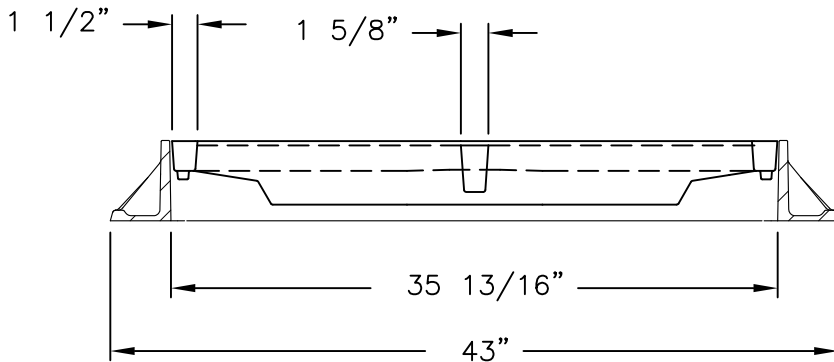


(2) 1" DIA
HANDLING HOLES

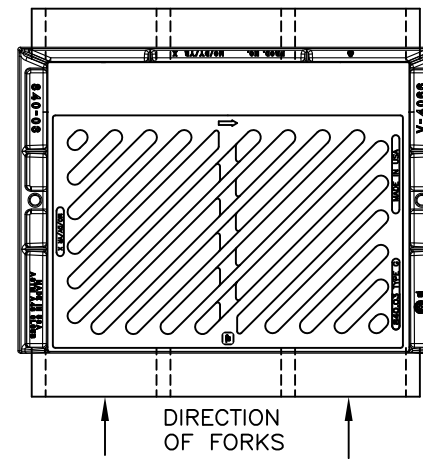
PLAN VIEW



SECTION VIEW



SECTION VIEW



ORIENTATION OF
UNITS ON PALLET

Product Number

44066004

Design Features

- Materials
 - Curb Inlet Frame
Gray Iron (CL35B)
 - Grate
Gray Iron (CL35B)

- Design Load
Heavy Duty

- Open Area
370 Sq. Inches

- Coating
Undipped

- √ Designates Machined Surface

Certification

- ASTM A48

- Country of Origin: USA

Major Components

44066013

44066430

Drawing Revision

06/04/2015 Designer: DAE

09/02/2016 Revised By: DVD

Disclaimer

Weights (lbs./kg) dimensions (inches/mm) and drawings provided for your guidance. We reserve the right to modify specifications without prior notice.

CONFIDENTIAL: This drawing is the property of EJ GROUP, Inc., and embodies confidential information, registered marks, patents, trade secret information, and/or know how that is the property of EJ GROUP, Inc. Copyright © 2012 EJ GROUP, Inc. All rights reserved.

Contact

800 626 4653

ejco.com