



# WP14

Parts List  
16-February-2019



*This parts list is current as of the above revision date.  
See <http://www.rheempartslists.net/92-42803-WP14.pdf> for the current revision.*

Heat Pumps

# Table of Contents

Model Explanation .....	Page 3
<b>Parts Numbers</b>	
Panels - Miscellaneous .....	Page 4
Electrical-Fan Group .....	Page 5
Coil Parts .....	Page 6
Compressor Group .....	Page 7
Accessories .....	Page 8
<b>Drawings/Photographs</b>	
Exploded View .....	Page 9
Control Box Assembly .....	Page 10
Valve Mounting Detail .....	Page 11
Notes/Disclaimer .....	Page 12

**MODEL NUMBER EXPLANATION**

<b>W</b>	<b>P</b>	<b>1</b>	<b>4</b>	<b>1</b>	<b>8</b>	<b>A</b>	<b>J</b>	<b>1</b>	<b>N</b>	<b>A</b>
1	2	3		4		5	6	7	8	9

- |                                                                                                                                                                                                                                                                                                             |                                                                                                                                                                                                                                                                                                                              |
|-------------------------------------------------------------------------------------------------------------------------------------------------------------------------------------------------------------------------------------------------------------------------------------------------------------|------------------------------------------------------------------------------------------------------------------------------------------------------------------------------------------------------------------------------------------------------------------------------------------------------------------------------|
| <p>(1) <b>Brand</b><br/>W = Weatherking</p> <p>(2) <b>Product Category</b><br/>P = Heat Pump</p> <p>(3) <b>Seer</b><br/>14 = 14 SEER</p> <p>(4) <b>COOLING CAPACITY (BTU/HR)</b><br/>018 = 18,000<br/>024 = 24,000<br/>030 = 30,000<br/>036 = 36,000<br/>042 = 42,000<br/>048 = 48,000<br/>060 = 60,000</p> | <p>(5) <b>MAJOR SERIES</b><br/>A = First Design Series</p> <p>(6) <b>VOLTAGE</b><br/>J = 208-230/1/60<br/>C = 208-230/3/60<br/>D = 460/3/60<br/>Y = 575/3/60</p> <p>(7) <b>TYPE</b><br/>1 = Single Stage</p> <p>(8) <b>CONTROLS</b><br/>N = Non-Communicating</p> <p>(9) <b>MINOR SERIES</b><br/>A = First Design Series</p> |
|-------------------------------------------------------------------------------------------------------------------------------------------------------------------------------------------------------------------------------------------------------------------------------------------------------------|------------------------------------------------------------------------------------------------------------------------------------------------------------------------------------------------------------------------------------------------------------------------------------------------------------------------------|

**SERIAL NUMBER EXPLANATION**

<b>W</b>	<b>0</b>	<b>8</b>	<b>1</b>	<b>6</b>	<b>9</b>	<b>9</b>	<b>9</b>	<b>9</b>
(1)	(2)	(3)	(4)					

- (1) **PLANT CODE**  
W = West Nuevo Laredo
- (2) **WEEK OF PRODUCTION**
- (3) **YEAR OF PRODUCTION**
- (4) **PRODUCTION NUMBER**

**Note: For Compressor Identification Number, see Compressor Code on Rating Plate**

No.	Notes	MODEL COOLING CAPACITY VARIATION	WP14 18 AJ1NA	WP14 24 AJ1NA	WP14 30 AJ1NA	WP14 36 AJ1NA
<b>SHEET METAL PARTS, MISCELLANEOUS</b>						
1		Cabinet	AE-100726-31	AE-100726-31	AE-100726-32	AE-100726-33
2		Cabinet Panel	AE-100727-31	AE-100727-31	AE-100727-32	AE-100727-33
3		Base Pan	AS-100058-01	AS-100058-01	AS-100058-02	AE-101588-03
4		Control Box - 2 inch diameter capacitor	AE-100654-31	AE-100654-31	AE-100654-31	N/A
4		Control Box - 2-1/2 inch diameter capacitor	N/A	N/A	N/A	AE-100654-32
5		Control Box Cover	AE-100657-31	AE-100657-31	AE-100657-31	AE-100657-31
6		Top Panel	AE-100652-31	AE-100652-31	AE-100652-32	AE-100652-33
8		Grille	95-102925-01	95-102925-01	95-102925-03	95-102925-04
		Nameplate	91-101419-01	91-101419-01	91-101419-01	91-101419-01
12		Valve Mounting Panel	AE-57780-01	AE-57780-01	AE-57780-01	AE-57780-01
14		Service Valve - Suction	See Coil Group			
15		Service Valve - Liquid	See Coil Group			
17		Low Voltage Cover	AE-57756-01	AE-57756-01	AE-57756-01	AE-57756-01
		Touch-up Paint - Light Gray (Aerosol)	523014	523014	523014	523014
		Touch-up Paint - Light Gray (Paint Pens)	523015	523015	523015	523015

No.	Notes	MODEL COOLING CAPACITY VARIATION	WP14 42 AJ1NA	WP14 48 AJ1NA	WP14 60 AJ1NA	
<b>SHEET METAL PARTS, MISCELLANEOUS</b>						
1		Cabinet	AE-100726-34	AE-100726-34	AE-100726-34	
2		Cabinet Panel	AE-100727-34	AE-100727-34	AE-100727-34	
3		Base Pan	AE-101588-03	AE-101588-03	AE-101588-03	
4		Control Box	AE-100654-34	AE-100654-34	AE-100654-34	
5		Control Box Cover	AE-100657-31	AE-100657-31	AE-100657-31	
6		Top Panel	AE-100652-33	AE-100652-33	AE-100652-33	
8		Grille	95-102925-04	95-102925-04	95-102925-04	
		Nameplate	91-101419-01	91-101419-01	91-101419-01	
12		Valve Mounting Panel	AE-100185-31	AE-100185-31	AE-100185-31	
14		Service Valve - Suction	See Coil Group			
15		Service Valve - Liquid	See Coil Group			
17		Low Voltage Cover	AE-57756-01	AE-57756-01	AE-57756-01	
		Touch-up Paint - Light Gray (Aerosol)	523014	523014	523014	
		Touch-up Paint - Light Gray (Paint Pens)	523015	523015	523015	

No.	Notes	MODEL COOLING CAPACITY VARIATION	WP14 18 AJ1NA	WP14 24 AJ1NA	WP14 30 AJ1NA	WP14 36 AJ1NA
<b>ELECTRICAL/FAN GROUP</b>						
7	Stk	Fan Motor	51-104691-01	51-104691-01	51-104692-03	51-102008-07
9	Stk	Fan Blade	70-102011-22	70-102011-22	70-102011-23	70-102011-10
16	Stk	Contactora	42-102664-05	42-102664-05	42-102664-05	42-102664-05
17		Low Voltage Cover	See Panels - Miscellaneous			
18		Control Box Bottom	AE-100655-01	AE-100655-01	AE-100655-01	AE-100655-01
19		Capacitor - Compressor/Fan	See Compressor Group			
20	Stk	Defrost Control Board	47-102685-07	47-102685-07	47-102685-07	47-102685-07
21		Low Ambient Control	See Accessories Group			

No.	Notes	MODEL COOLING CAPACITY VARIATION	WP14 42 AJ1NA	WP14 48 AJ1NA	WP14 60 AJ1NA	
<b>ELECTRICAL/FAN GROUP</b>						
7	Stk	Fan Motor	51-101774-03	51-101774-03	51-102008-09	
9	Stk	Fan Blade	70-102011-10	70-102033-04	70-104092-01	
16	Stk	Contactora	42-102664-05	42-102664-06	42-102664-10	
17		Low Voltage Cover	See Panels - Miscellaneous			
18		Control Box Bottom	AE-100655-01	AE-100655-01	AE-100655-01	
19		Capacitor - Compressor/Fan	See Compressor Group			
20	Stk	Defrost Control Board	47-102685-07	47-102685-07	47-102685-07	
21		Low Ambient Control	See Accessories Group			

No.	Notes	MODEL COOLING CAPACITY VARIATION	WP14 18 AJ1NA	WP14 24 AJ1NA	WP14 30 AJ1NA	WP14 36 AJ1NA
<b>COIL GROUP</b>						
11	Stk	Condenser Coil	AS-101766-03	AS-101766-03	AS-102391-03	AS-101768-03
13		Valve Mounting Bracket	AE-57781-01	AE-57781-01	AE-57781-01	AE-57781-02
14		Service Valve - Suction	61-21368-23	61-21368-23	61-21368-07	61-21368-22
15		Service Valve - Liquid	61-21368-25	61-21368-25	61-21368-25	61-21368-25
22		Bulkhead Valve	61-22369-04	61-22369-04	61-22369-04	61-22369-04
		Locknut - Bulkhead Valve	63-22368-01	63-22368-01	63-22368-01	63-22368-01
	Stk	Low Pressure Control	47-103670-05	47-103670-05	47-103670-05	47-103670-05
	Stk	High Pressure Control	47-102290-01	47-102290-01	47-102290-01	47-102290-01
	Stk	Filter Drier	83-41719-02	83-41719-02	83-41719-02	83-41719-02
	Stk	TXV/Distributor Assembly	61-102437-28	61-102437-29	61-102437-30	61-102437-30
	Stk	Reversing Valve	61-102498-04	61-102498-04	61-102498-09	61-102498-09
	Stk	Solenoid Coil - Reversing Valve	61-101713-92	61-101713-92	61-101713-92	61-101713-92
		Wiring Harness - Reversing Valve (Before W0117)	61-26149-03	61-26149-03	61-26149-03	61-26149-03
		Wiring Harness - Reversing Valve (On or After W0117)	61-26149-05	61-26149-05	61-26149-05	61-26149-05
		Tube Assembly - Bulkhead Valve	N/A	N/A	AS-105377-04	AS-105377-01

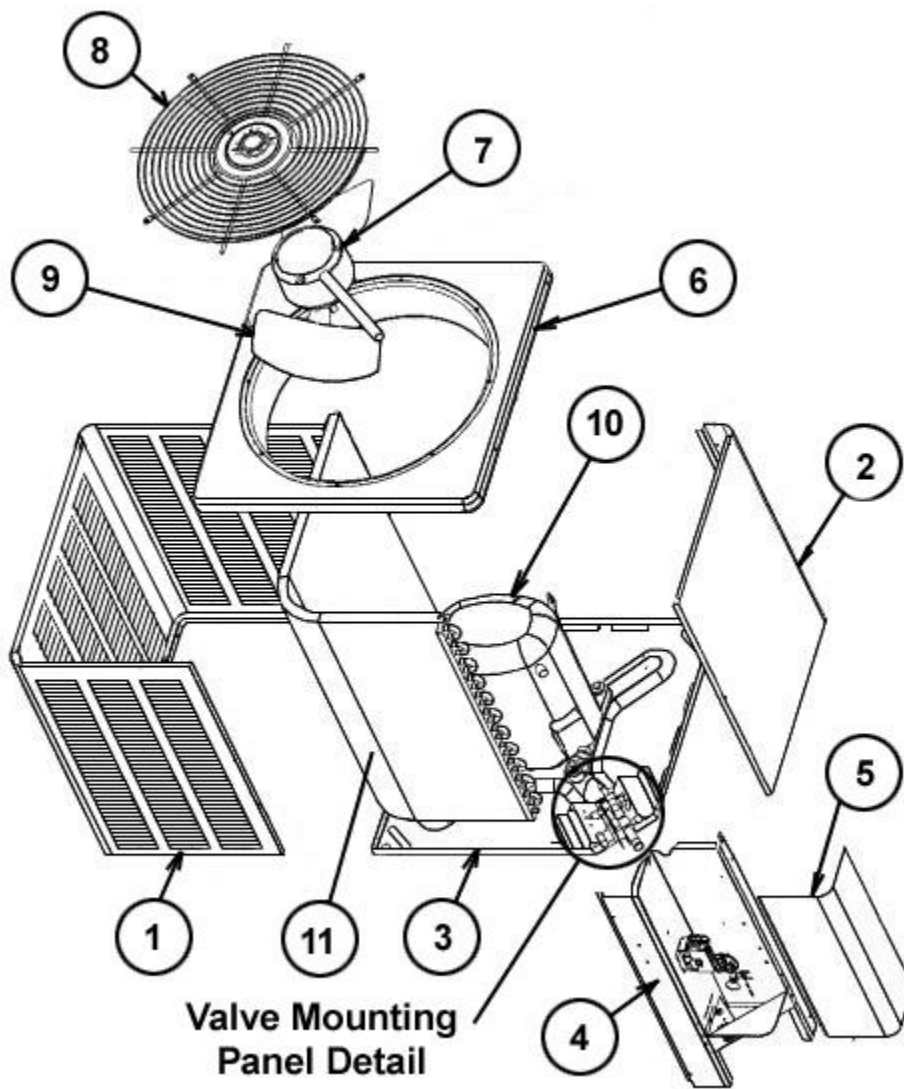
No.	Notes	MODEL COOLING CAPACITY VARIATION	WP14 42 AJ1NA	WP14 48 AJ1NA	WP14 60 AJ1NA	
<b>COIL GROUP</b>						
11	Stk	Condenser Coil	AS-101760-03	AS-102099-03	AS-101771-01	
13		Valve Mounting Bracket	AE-57781-02	AE-57781-02	AE-57781-02	
14		Service Valve - Suction	61-21368-22	61-104025-08	61-104025-08	
15		Service Valve - Liquid	61-21368-25	61-21368-25	61-21368-25	
22		Bulkhead Valve	61-22369-04	61-22369-04	61-22369-04	
		Locknut - Bulkhead Valve	63-22368-01	63-22368-01	63-22368-01	
	Stk	Low Pressure Control	47-103670-05	47-103670-05	47-103670-05	
	Stk	High Pressure Control	47-102290-01	N/A	N/A	
	Stk	Filter Drier	83-41719-02	83-41719-02	83-41719-02	
	Stk	TXV/Distributor Assembly	61-102437-31	61-102437-32	61-102437-33	
	Stk	Reversing Valve	61-102498-09	61-102498-06	61-102498-06	
	Stk	Solenoid Coil - Reversing Valve (After Date Code 2808)	61-101713-92	61-101713-92	61-101713-92	
		Wiring Harness - Reversing Valve (Before W0117)	61-26149-03	61-26149-03	61-26149-03	
		Wiring Harness - Reversing Valve (On or After W0117)	61-26149-05	61-26149-05	61-26149-05	
		Tube Assembly - Bulkhead Valve	AS-105377-02	N/A	N/A	

No.	Notes	MODEL COOLING CAPACITY VARIATION	WP14 18 AJ1NA	WP14 24 AJ1NA	WP14 30 AJ1NA	WP14 36 AJ1NA
<b>COMPRESSOR GROUP</b>						
		<b>Compressor ID:</b>	<b>9167</b>	<b>9168</b>	<b>9169</b>	<b>9170</b>
10	Stk	Compressor	55-102045-14S	55-102045-01S	55-102045-02S	55-102045-03S
19	Stk	Capacitor - Compressor/Fan	43-101665-03	43-101665-07	43-101665-09	43-101665-48
		Muffler	83-26251-01	83-26251-01	83-26251-01	83-26251-01
	Stk	Compressor Wiring Harness (Molded Plug)	45-100834-80	45-100834-80	45-100834-80	45-100834-80

No.	Notes	MODEL COOLING CAPACITY VARIATION	WP14 42 AJ1NA	WP14 48 AJ1NA	WP14 60 AJ1NA	
<b>COMPRESSOR GROUP</b>						
		<b>Compressor ID:</b>	<b>9171</b>	<b>9213</b>	<b>9214</b>	
10	Stk	Compressor	55-102045-12S	55-102045-09S	55-102045-26S	
19	Stk	Capacitor - Compressor/Fan	43-101665-42	43-101665-47	43-101665-53	
		Muffler	83-26251-01	83-26251-01	83-26251-01	
	Stk	Compressor Wiring Harness (Molded Plug)	45-100834-80	45-100834-80	45-100834-80	

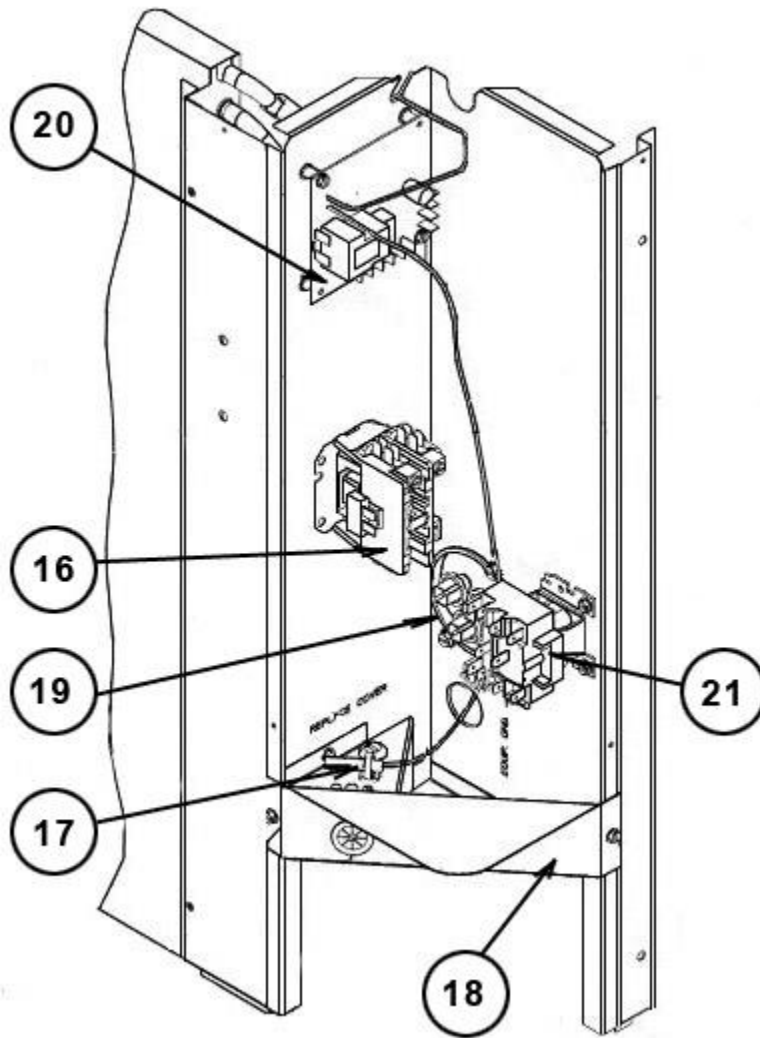
No.	Notes	MODEL COOLING CAPACITY VARIATION	WP14 ALL ALL
<b>ACCESSORIES</b>			
		Low Ambient Control	RXAD-A08
		Outdoor Thermostat (One Thermostat w/box)	RXPT-A01
		Outdoor Thermostat (One Thermostat w/o box)	RXPT-A02
		Outdoor Thermostat (One w/Heat Relay and box)	RXPT-A03
		Outdoor Thermostat (Two Thermostats w/Heat and box)	RXPT-A04
		Heat Pump Monitor	RXPM-B01
		Compressor Time Delay Control	RXMD-B01
		Blower Time Delay Control	RXMD-C04
		High Pressure Control	RXAB-A07



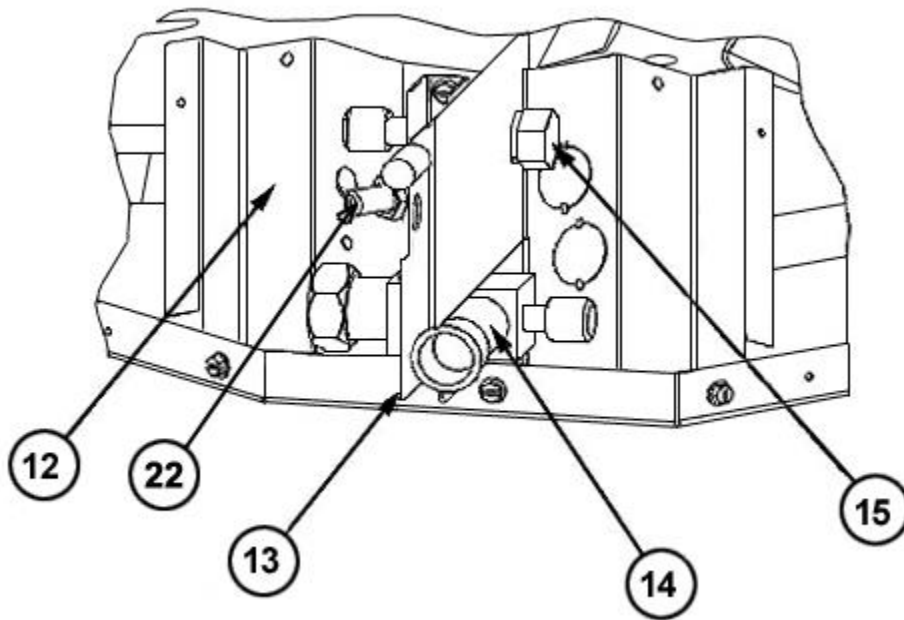


**Valve Mounting  
Panel Detail**

Exploded View



Control Box Assembly



Valve Mounting Detail

# NOTES

Stk It is recommended that stock be maintained for this part.  
N/A Not Applicable

**DISCLAIMER:** This document is intended to provide general replacement parts information to aid qualified service personnel in the repair of these models. The complete Model and Serial Number of the unit under repair should be specified when selecting and ordering replacement parts. Specifications and illustrations are subject to change without notice. Document 92-42803-WP14 supersedes all previous parts lists for these models. See <http://www.rheempartslists.net/92-42803-WP14> for the latest revision of this document. The manufacturer assumes no obligation for errors or omissions. Service personnel must verify the proper and safe operation of equipment after the replacement of any original components.