



WA14

Parts List
24-January-2019



*This parts list is current as of the above revision date.
See <http://www.rheempartslists.net/92-42803-WA14.pdf> for the current revision.*

Condensing Units

Table of Contents

Model Explanation	Page 3
Parts Numbers	
Panels - Miscellaneous (1)	Page 4
Panels - Miscellaneous (2)	Page 5
Panels - Miscellaneous (3)	Page 6
Electrical-Fan Group (1)	Page 7
Electrical-Fan Group (2)	Page 8
Coil Parts	Page 9
Compressor Group	Page 10
Accessories	Page 11
Drawings/Photographs	
Exploded View	Page 12
Valve Mounting Detail	Page 13
Control Box	Page 14
Notes/Disclaimer	Page 15

MODEL NUMBER EXPLANATION

W	A	1	4	1	8	W	J	1	N	A
1	2	3		4		5	6	7	8	9

- | | |
|---|--|
| <p>(1) Brand
W = Weatherking</p> <p>(2) Product Category
A = Air Conditioner</p> <p>(3) Seer
14 = 14 SEER</p> <p>(4) COOLING CAPACITY (BTU/HR)
018 = 18,000
024 = 24,000
030 = 30,000
036 = 36,000
042 = 42,000
048 = 48,000
060 = 60,000</p> | <p>(5) MAJOR SERIES
A = First Design Series
B = Second Design Series
W = Southwest Regional</p> <p>(6) VOLTAGE
J = 208-230/1/60
C = 208-230/3/60
D = 460/3/60
Y = 575/3/60</p> <p>(7) TYPE
1 = Single Stage</p> <p>(8) CONTROLS
N = Non-Communicating</p> <p>(9) MINOR SERIES
A = First Design Series</p> |
|---|--|

SERIAL NUMBER EXPLANATION

W	0	8	1	3	9	9	9	9
(1)	(2)		(3)		(4)			

- (1) **PLANT CODE**
W = West Nuevo Laredo
- (2) **WEEK OF PRODUCTION**
- (3) **YEAR OF PRODUCTION**
- (4) **PRODUCTION NUMBER**

Note: For Compressor Identification Number, see Compressor Code on Rating Plate

No.	Notes	MODEL COOLING CAPACITY VARIATION	WA14 18 AJ1NA	WA14 24 AJ1NA	WA14 30 AJ1NA
SHEET METAL PARTS, MISCELLANEOUS					
1		Cabinet	AE-100726-31	AE-100726-32	AE-100726-33
2		Cabinet Panel	AE-100727-31	AE-100727-32	AE-100727-33
3		Base Pan	AE-100069-01	AE-100069-02	AE-101588-03
4		Control Box	AE-100654-31	AE-100654-31	AE-100654-31
5		Control Box Cover	AE-100657-31	AE-100657-31	AE-100657-31
6		Top Panel	AE-100652-31	AE-100652-32	AE-100652-33
8		Grille	95-102925-01	95-102925-03	95-102925-04
		Nameplate	91-101419-01	91-101419-01	91-101419-01
12		Valve Mounting Panel	AE-57780-01	AE-57780-01	AE-57780-01
14		Service Valve - Suction		See Coil Group	
15		Service Valve - Liquid		See Coil Group	
17		Low Voltage Cover	AE-57756-01	AE-57756-01	AE-57756-01
		Touch-up Paint - Private Label Gray (Aerosol)	523014	523014	523014
		Touch-up Paint - Private Label Gray (Paint Pens)	523015	523015	523015

No.	Notes	MODEL COOLING CAPACITY VARIATION	WA14 36 AJ1NA	WA14 42 AJ1NA	WA14 48 AJ1NA
SHEET METAL PARTS, MISCELLANEOUS					
1		Cabinet	AE-100726-34	AE-100726-34	AE-100726-34
2		Cabinet Panel	AE-100727-34	AE-100727-34	AE-100727-34
3		Base Pan	AE-101588-03	AE-101588-03	AE-101588-03
4		Control Box	AE-100654-33	AE-100654-34	AE-100654-34
5		Control Box Cover	AE-100657-31	AE-100657-31	AE-100657-31
6		Top Panel	AE-100652-33	AE-100652-33	AE-100652-33
8		Grille	95-102925-04	95-102925-04	95-102925-04
		Nameplate	91-101419-01	91-101419-01	91-101419-01
12		Valve Mounting Panel	AE-100185-31	AE-100185-31	AE-100185-31
14		Service Valve - Suction		See Coil Group	
15		Service Valve - Liquid		See Coil Group	
17		Low Voltage Cover	AE-57756-01	AE-57756-01	AE-57756-01
		Touch-up Paint - Private Label Gray (Aerosol)	523014	523014	523014
		Touch-up Paint - Private Label Gray (Paint Pens)	523015	523015	523015

No.	Notes	MODEL COOLING CAPACITY VARIATION	WA14 60 AJ1NA		
SHEET METAL PARTS, MISCELLANEOUS					
1		Cabinet	AE-100726-34		
2		Cabinet Panel	AE-100727-34		
3		Base Pan	AE-101588-03		
4		Control Box	AE-100654-34		
5		Control Box Cover	AE-100657-31		
6		Top Panel	AE-100652-33		
8		Grille	95-102925-04		
		Nameplate	91-101419-01		
12		Valve Mounting Panel	AE-100185-31		
14		Service Valve - Suction		See Coil Group	
15		Service Valve - Liquid		See Coil Group	
17		Low Voltage Cover	AE-57756-01		
		Touch-up Paint - Private Label Gray (Aerosol)	523014		
		Touch-up Paint - Private Label Gray (Paint Pens)	523015		

No.	Notes	MODEL COOLING CAPACITY VARIATION	WA14 18 WJ1NA	WA14 24 WJ1NA	WA14 30 WJ1NA	WA14 36 WJ1NA
SHEET METAL PARTS, MISCELLANEOUS						
1		Cabinet	AE-100726-32	AE-100726-32	AE-100726-33	AE-100726-34
2		Cabinet Panel	AE-100727-30	AE-100727-32	AE-100727-33	AE-100727-34
3		Base Pan	AE-100069-02	AE-100069-02	AE-101588-03	AE-101588-03
4		Control Box	AE-100654-31	AE-100654-31	AE-100654-31	AE-100654-33
5		Control Box Cover	AE-100657-31	AE-100657-31	AE-100657-31	AE-100657-31
6		Top Panel	AE-100652-32	AE-100652-32	AE-100652-33	AE-100652-33
8		Grille	95-102925-03	95-103944-01	95-102925-04	95-102925-04
		Nameplate	91-101419-01	91-101419-01	91-101419-01	91-101419-01
12		Valve Mounting Panel	AE-57780-01	AE-57780-01	AE-57780-01	AE-100185-31
14		Service Valve - Suction	See Coil Group			
15		Service Valve - Liquid	See Coil Group			
17		Low Voltage Cover	AE-57756-01	AE-57756-01	AE-57756-01	AE-57756-01
		Touch-up Paint - Private Label Gray (Aerosol)	523014	523014	523014	523014
		Touch-up Paint - Private Label Gray (Paint Pens)	523015	523015	523015	523015

No.	Notes	MODEL COOLING CAPACITY VARIATION	WA14 42 WJ1NA	WA14 43 WJ1NA	WA14 48 WJ1NA	WA14 60 WJ1NA
SHEET METAL PARTS, MISCELLANEOUS						
1		Cabinet	AE-100726-34	AE-100726-97	AE-100726-34	AE-100726-34
2		Cabinet Panel	AE-100727-34	AE-100727-97	AE-100727-34	AE-100727-34
3		Base Pan	AE-101588-03	AE-100069-02	AE-101588-03	AE-101588-03
4		Control Box	AE-100654-33	AE-100654-33	AE-100654-34	AE-100654-34
5		Control Box Cover	AE-100657-31	AE-100657-31	AE-100657-31	AE-100657-31
6		Top Panel	AE-100652-33	AE-100652-32	AE-100652-33	AE-100652-33
8		Grille	95-102925-04	95-102925-03	95-102925-04	95-102925-04
		Nameplate	91-101419-01	91-101419-01	91-101419-01	91-101419-01
12		Valve Mounting Panel	AE-100185-31	AE-100185-31	AE-100185-31	AE-100185-31
14		Service Valve - Suction	See Coil Group			
15		Service Valve - Liquid	See Coil Group			
17		Low Voltage Cover	AE-57756-01	AE-57756-01	AE-57756-01	AE-57756-01
		Touch-up Paint - Private Label Gray (Aerosol)	523014	523014	523014	523014
		Touch-up Paint - Private Label Gray (Paint Pens)	523015	523015	523015	523015

No.	Notes	MODEL COOLING CAPACITY VARIATION	WA14 24 BJ1NA	WA14 30 BJ1NA	WA14 36 BJ1NA
SHEET METAL PARTS, MISCELLANEOUS					
1		Cabinet	AE-100726-98	AE-100726-32	AE-100726-97
2		Cabinet Panel	AE-100727-98	AE-100727-32	AE-100727-97
3		Base Pan	AE-100069-01	AE-100069-02	AE-100069-02
4		Control Box	AE-100654-33	AE-100654-31	AE-100654-34
5		Control Box Cover	AE-100657-31	AE-100657-31	AE-100657-31
6		Top Panel	AE-100652-31	AE-100652-32	AE-100652-32
8		Grille	95-102925-01	95-102925-03	95-102925-03
		Nameplate	91-101419-01	91-101419-01	91-101419-01
12		Valve Mounting Panel	AE-100185-31	AE-57780-01	AE-100185-31
14		Service Valve - Suction		See Coil Group	
15		Service Valve - Liquid		See Coil Group	
17		Low Voltage Cover	AE-57756-01	AE-57756-01	AE-57756-01
		Touch-up Paint - Private Label Gray (Aerosol)	523014	523014	523014
		Touch-up Paint - Private Label Gray (Paint Pens)	523015	523015	523015

No.	Notes	MODEL COOLING CAPACITY VARIATION	WA14 42 BJ1NA	WA14 48 BJ1NA	
SHEET METAL PARTS, MISCELLANEOUS					
1		Cabinet	AE-100726-97	AE-100726-34	
2		Cabinet Panel	AE-100727-97	AE-100727-34	
3		Base Pan	AE-100069-02	AE-101588-03	
4		Control Box	AE-100654-33	AE-100654-34	
5		Control Box Cover	AE-100657-31	AE-100657-31	
6		Top Panel	AE-100652-32	AE-100652-33	
8		Grille	95-102925-03	95-102925-04	
		Nameplate	91-101419-01	91-101419-01	
12		Valve Mounting Panel	AE-100185-31	AE-100185-31	
14		Service Valve - Suction		See Coil Group	
15		Service Valve - Liquid		See Coil Group	
17		Low Voltage Cover	AE-57756-01	AE-57756-01	
		Touch-up Paint - Private Label Gray (Aerosol)	523014	523014	
		Touch-up Paint - Private Label Gray (Paint Pens)	523015	523015	

No.	Notes	MODEL COOLING CAPACITY VARIATION	WA14 18 AJ1NA	WA14 24 AJ1NA	WA14 30 AJ1NA	WA14 36 AJ1NA
ELECTRICAL/FAN GROUP						
7	Stk	Fan Motor	51-104691-01	51-101774-02	51-102008-08	51-102008-08
9	Stk	Fan Blade	70-102011-22	70-102033-02	70-104092-01	70-104092-01
16	Stk	Contactora	42-102664-05	42-102664-05	42-102664-05	42-102664-05
17		Low Voltage Cover	See Panels - Miscellaneous			
18		Control Box Bottom	AE-100655-01	AE-100655-01	AE-100655-01	AE-100655-01
19		Capacitor	See Compressor Group			

No.	Notes	MODEL COOLING CAPACITY VARIATION	WA14 42 AJ1NA	WA14 48 AJ1NA	WA14 60 AJ1NA	
ELECTRICAL/FAN GROUP						
7	Stk	Fan Motor	51-101774-03	51-101774-03	51-102008-09	
9	Stk	Fan Blade	70-102011-10	70-102011-10	70-104092-01	
16	Stk	Contactora	42-102664-05	42-102664-05	42-102664-10	
17		Low Voltage Cover	See Panels - Miscellaneous			
18		Control Box Bottom	AE-100655-01	AE-100655-01	AE-100655-01	
19		Capacitor	See Compressor Group			

No.	Notes	MODEL COOLING CAPACITY VARIATION	WA14 18 WJ1NA	WA14 24 WJ1NA	WA14 30 WJ1NA	WA14 36 WJ1NA
ELECTRICAL/FAN GROUP						
7	Stk	Fan Motor	51-101774-04	51-101774-14	51-101774-15	51-102008-08
9	Stk	Fan Blade	70-102011-08	70-102011-08	70-102011-03	70-104092-01
16	Stk	Contactora	42-102664-05	42-102664-05	42-102664-05	42-102664-05
17		Low Voltage Cover	See Panels - Miscellaneous			
18		Control Box Bottom	AE-100655-01	AE-100655-01	AE-100655-01	AE-100655-01
19		Capacitor	See Compressor Group			

No.	Notes	MODEL COOLING CAPACITY VARIATION	WA14 42 WJ1NA	WA14 43 WJ1NA	WA14 48 WJ1NA	WA14 60 WJ1NA
ELECTRICAL/FAN GROUP						
7	Stk	Fan Motor	51-102728-13	51-101774-27	51-102008-09	51-102008-09
9	Stk	Fan Blade	70-104092-01	70-101323-45	70-104092-01	70-104092-01
16	Stk	Contactora	42-102664-05	42-102664-10	42-102664-24	42-102664-10
17		Low Voltage Cover	See Panels - Miscellaneous			
18		Control Box Bottom	AE-100655-01	AE-100655-01	AE-100655-01	AE-100655-01
19		Capacitor	See Compressor Group			

No.	Notes	MODEL COOLING CAPACITY VARIATION	WA14 24 BJ1NA	WA14 30 BJ1NA	WA14 36 BJ1NA	WA14 42 BJ1NA
ELECTRICAL/FAN GROUP						
7	Stk	Fan Motor	51-104691-05	51-102008-17	51-101774-03	51-101774-27
9	Stk	Fan Blade	70-101323-43	70-102011-23	70-101323-47	70-101323-45
16	Stk	Contactora	42-102664-06	42-102664-06	42-102664-06	42-102664-10
17		Low Voltage Cover	See Panels - Miscellaneous			
18		Control Box Bottom	AE-100655-01	AE-100655-01	AE-100655-01	AE-100655-01
19		Capacitor	See Compressor Group			

No.	Notes	MODEL COOLING CAPACITY VARIATION	WA14 48 BJ1NA			
ELECTRICAL/FAN GROUP						
7	Stk	Fan Motor	51-102008-07			
9	Stk	Fan Blade	70-101323-35			
16	Stk	Contactora	42-102664-06			
17		Low Voltage Cover	See Panels - Miscellaneous			
18		Control Box Bottom	AE-100655-01			
19		Capacitor	See Compressor Group			

No.	Notes	MODEL COOLING CAPACITY VARIATION	WA14 18 AJ1NA	WA14 24 AJ1NA	WA14 30 AJ1NA	WA14 36 AJ1NA
COIL GROUP						
11	Stk	Condenser Coil	AS-106228-03	AS-102485-03	AS-101761-03	AS-102486-03
13		Valve Mounting Bracket	AE-57781-01	AE-57781-01	AE-57781-01	AE-57781-01
14		Service Valve - Suction	61-21368-07	61-21368-07	61-21368-07	61-21368-07
15		Service Valve - Liquid	61-21368-25	61-21368-25	61-21368-25	61-21368-25
		Distributor - Two Way (1/2 in. to 1/2 in.)	83-19988-01	83-19988-01	N/A	N/A
		Distributor - Three Way (3/8 in. to 3/8 in.)	N/A	N/A	83-17467-07	N/A
		Filter Drier	83-22755-06	83-22755-06	83-22755-06	83-22755-06

No.	Notes	MODEL COOLING CAPACITY VARIATION	WA14 42 AJ1NA	WA14 48 AJ1NA	WA14 60 AJ1NA	
COIL GROUP						
11	Stk	Condenser Coil	AS-102241-03	AS-102980-01	AS-102980-01	
13		Valve Mounting Bracket	AE-57781-02	AE-57781-02	AE-57781-02	
14		Service Valve - Suction	61-104025-08	61-104025-08	61-104025-08	
15		Service Valve - Liquid	61-21368-25	61-21368-25	61-21368-25	
		Filter Drier	83-22755-06	83-22755-06	83-22755-06	

No.	Notes	MODEL COOLING CAPACITY VARIATION	WA14 18 WJ1NA	WA14 24 WJ1NA	WA14 30 WJ1NA	WA14 36 WJ1NA
COIL GROUP						
11	Stk	Condenser Coil	AS-104335-03	AS-104336-03	AS-101761-03	AS-102486-03
13		Valve Mounting Bracket	AE-57781-01	AE-57781-01	AE-57781-01	AE-57781-01
14		Service Valve - Suction	61-21368-07	61-21368-07	61-21368-07	61-21368-07
15		Service Valve - Liquid	61-21368-25	61-21368-25	61-21368-25	61-21368-25
		Distributor - Two Way (1/2 in. to 1/2 in.)	83-19988-01	83-19988-01	N/A	N/A
		Distributor - Three Way (3/8 in. to 3/8 in.)	N/A	N/A	83-17467-07	N/A
		Filter Drier	83-22755-06	83-22755-06	83-22755-06	83-22755-06

No.	Notes	MODEL COOLING CAPACITY VARIATION	WA14 42 WJ1NA	WA14 43 WJ1NA	WA14 48 WJ1NA	WA14 60 WJ1NA
COIL GROUP						
11	Stk	Condenser Coil	AS-103081-03	AS-106456-03	AS-102980-01	AS-102980-01
13		Valve Mounting Bracket	AE-57781-02	AE-57781-02	AE-57781-02	AE-57781-02
14		Service Valve - Suction	61-104025-22	61-104025-08	61-104025-08	61-104025-08
15		Service Valve - Liquid	61-21368-25	61-21368-25	61-21368-25	61-21368-25
		Filter Drier	83-22755-06	83-22755-06	83-22755-06	83-22755-06

No.	Notes	MODEL COOLING CAPACITY VARIATION	WA14 24 BJ1NA	WA14 30 BJ1NA	WA14 36 BJ1NA	
COIL GROUP						
11	Stk	Condenser Coil	AS-106430-03	AS-101599-03	AS-106456-03	
13		Valve Mounting Bracket	AE-57781-02	AE-57781-01	AE-57781-02	
14		Service Valve - Suction	61-21368-07	61-21368-07	61-21368-07	
15		Service Valve - Liquid	61-21368-25	61-21368-25	61-21368-25	
		Distributor - Three Way (3/8 in. to 3/8 in.)	N/A	83-17467-07	N/A	
		Filter Drier	83-22755-06	83-22755-06	83-22755-06	

No.	Notes	MODEL COOLING CAPACITY VARIATION	WA14 42 BJ1NA	WA14 48 BJ1NA		
COIL GROUP						
11	Stk	Condenser Coil	AS-106456-03	AS-103081-03		
13		Valve Mounting Bracket	AE-57781-02	AE-57781-02		
14		Service Valve - Suction	61-104025-08	61-104025-08		
15		Service Valve - Liquid	61-21368-25	61-21368-25		
		Filter Drier	83-22755-06	83-22755-06		

No.	Notes	MODEL COOLING CAPACITY VARIATION	WA14 18 AJ1NA	WA14 24 AJ1NA	WA14 30 AJ1NA	WA14 36 AJ1NA
COMPRESSOR GROUP						
		Compressor ID:	9158	9161	9155	9156
10	Stk	Compressor	55-102045-96	55-102045-24S	55-101545-60	55-101545-61
		Grommet (4)	56-18518-04	56-18518-04	56-18518-04	56-18518-04
19	Stk	Capacitor - Compressor/Fan	43-101665-03	43-101665-44	43-101665-09	43-101665-41
	Stk	Start Relay	N/A	N/A	42-18282-27	42-18282-26
	Stk	Start Capacitor	N/A	N/A	43-17075-11	43-17075-13
	Stk	Compressor Wiring Harness (Molded Plug)	45-100834-80	45-100834-80	N/A	N/A

No.	Notes	MODEL COOLING CAPACITY VARIATION	WA14 42 AJ1NA	WA14 48 AJ1NA	WA14 48 BJ1NA	WA14 60 AJ1NA
COMPRESSOR GROUP						
		Compressor ID:	9163	9165	9211	9212
10	Stk	Compressor	55-102045-15S	55-102045-09S	55-102045-06S	55-102045-26S
		Grommet (4)	56-18518-06	56-18518-06	56-18518-06	56-18518-06
19	Stk	Capacitor - Compressor/Fan	43-101665-48	43-101665-47	43-101665-48	43-101665-53
	Stk	Compressor Wiring Harness (Molded Plug)	45-100834-80	45-100834-80	45-100834-80	45-100834-80

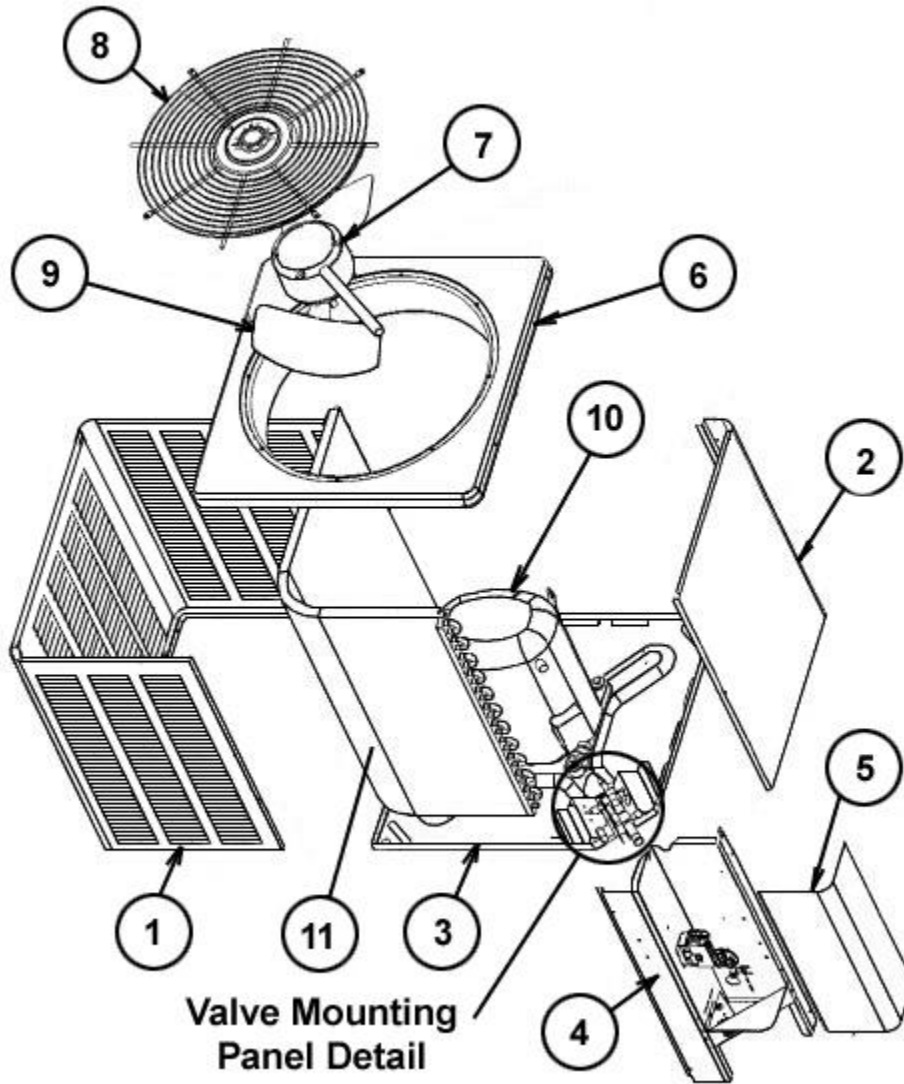
No.	Notes	MODEL COOLING CAPACITY VARIATION	WA14 18 WJ1NA	WA14 24 WJ1NA	WA14 30 WJ1NA	WA14 36 WJ1NA
COMPRESSOR GROUP						
		Compressor ID:	9159	9160	9162	9157
10	Stk	Compressor	55-102045-82S	55-102045-97S	55-102045-31S	55-102045-103
		Grommet (4)	56-18518-04	56-18518-04	56-18518-04	56-18518-04
19	Stk	Capacitor - Compressor/Fan	43-101665-40	43-101665-04	43-101665-09	43-101665-41
	Stk	Compressor Wiring Harness (Molded Plug)	45-100834-80	45-100834-80	45-100834-80	45-100834-80

No.	Notes	MODEL COOLING CAPACITY VARIATION	WA14 42 WJ1NA	WA14 43 WJ1NA	WA14 48 WJ1NA	WA14 60 WJ1NA
COMPRESSOR GROUP						
		Compressor ID:	9145	9367	9164	9166
10	Stk	Compressor	55-101545-59	55-102045-144S	55-102045-09S	55-102045-26S
		Grommet (4)	56-18518-04	56-18518-04	56-18518-06	56-18518-06
19	Stk	Capacitor - Compressor/Fan	N/A	43-101665-41	43-101665-53	43-101665-53
19	Stk	Capacitor - Compressor	43-101666-37	N/A	N/A	N/A
	Stk	Start Relay	42-18282-08	N/A	N/A	N/A
	Stk	Start Capacitor	43-17075-05	N/A	N/A	N/A
	Stk	Compressor Wiring Harness (Molded Plug)	N/A	45-100834-80	45-100834-80	45-100834-80
	Stk	Crankcase Heater	N/A	N/A	44-103663-01	44-103663-01

No.	Notes	MODEL COOLING CAPACITY VARIATION	WA14 24 BJ1NA	WA14 30 BJ1NA	WA14 36 BJ1NA	
COMPRESSOR GROUP						
		Compressor ID:	9277	9634	9365	
10	Stk	Compressor	55-102045-97	55-102045-31S	55-102045-66S	
		Grommet (4)	56-18518-04	56-18518-04	56-18518-04	
19	Stk	Capacitor - Compressor/Fan	43-101665-44	43-101665-09	43-101665-48	
	Stk	Start Relay	N/A	N/A	N/A	
	Stk	Start Capacitor	N/A	N/A	N/A	
	Stk	Compressor Wiring Harness (Molded Plug)	45-100834-80	45-100834-80	N/A	

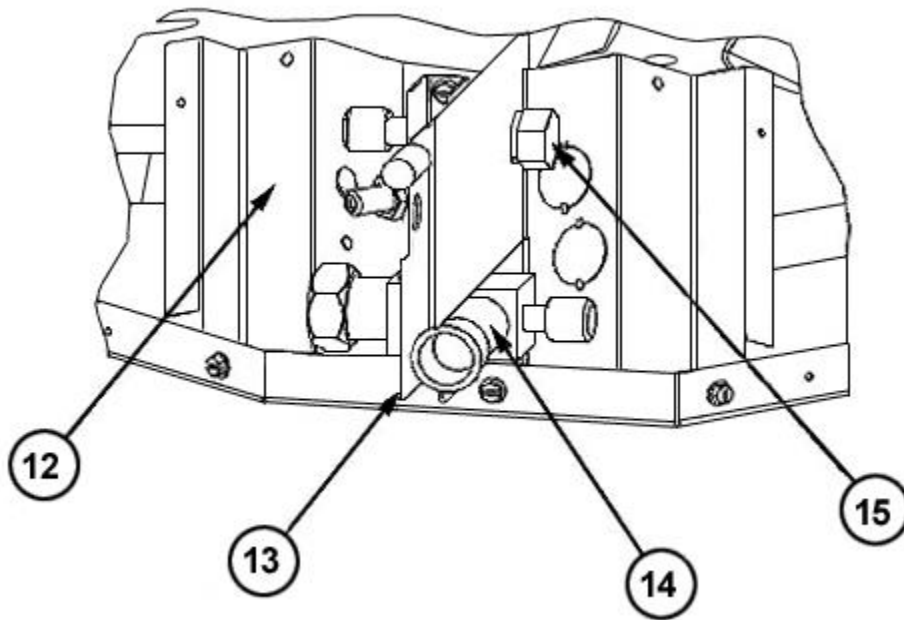
No.	Notes	MODEL COOLING CAPACITY VARIATION	WA14 42 BJ1NA	WA14 48 BJ1NA		
COMPRESSOR GROUP						
		Compressor ID:	9366	9211		
10	Stk	Compressor	55-102045-144S	55-102045-06S		
		Grommet (4)	56-18518-04	56-18518-06		
19	Stk	Capacitor - Compressor/Fan	43-101665-41	43-101665-48		
	Stk	Compressor Wiring Harness (Molded Plug)	45-100834-80	45-100834-80		

No.	Notes	MODEL COOLING CAPACITY VARIATION	WA14 ALL ALL
ACCESORIES			
		Low Ambient Control	RXAD-A07
		Compressor Time Delay Control	RXMD-B01
		High Pressure Control	RXAB-A07
		Low Pressure Control	RXAC-A07

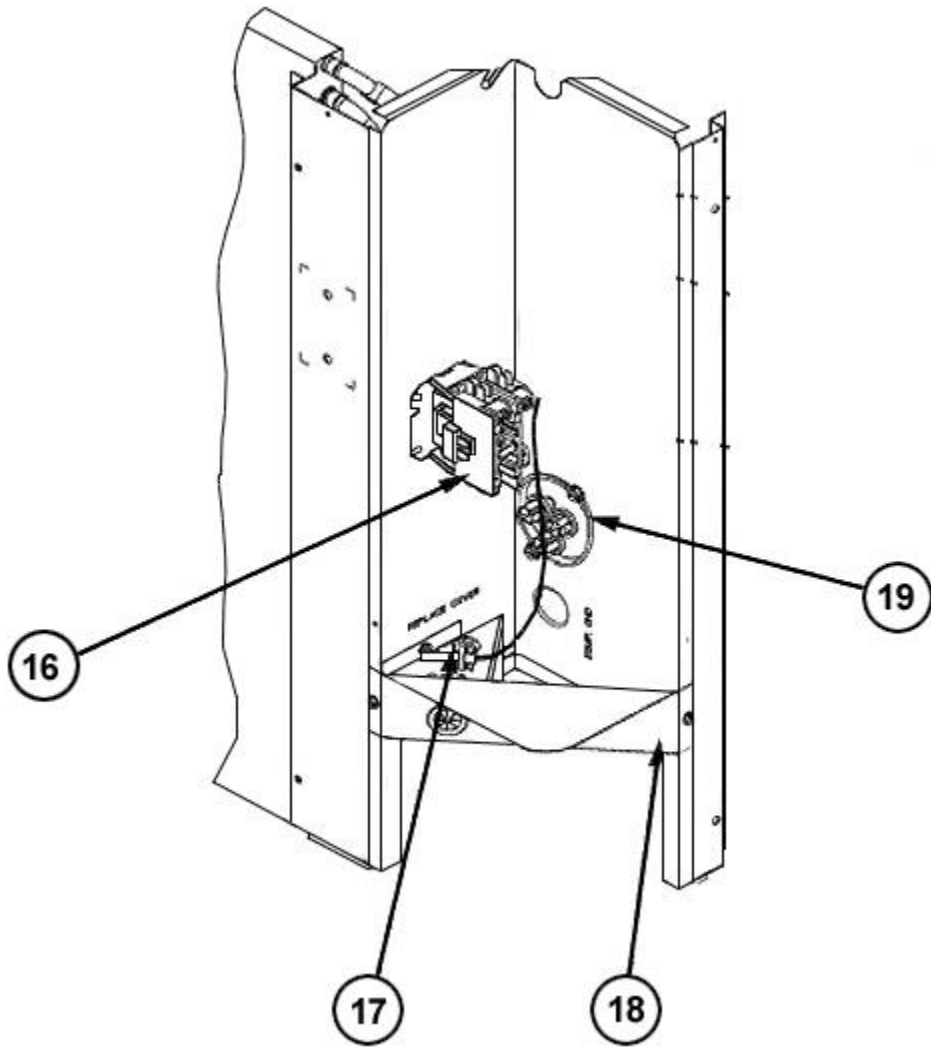


**Valve Mounting
Panel Detail**

Exploded View



Valve Mounting Detail



Control Box

NOTES

Stk It is recommended that stock be maintained for this part.
N/A Not Applicable

DISCLAIMER: This document is intended to provide general replacement parts information to aid qualified service personnel in the repair of these models. The complete Model and Serial Number of the unit under repair should be specified when selecting and ordering replacement parts. Specifications and illustrations are subject to change without notice. Document 92-42803-WA14 supersedes all previous parts lists for these models. See <http://www.rheempartslists.net/92-42803-WA14> for the latest revision of this document. The manufacturer assumes no obligation for errors or omissions. Service personnel must verify the proper and safe operation of equipment after the replacement of any original components.