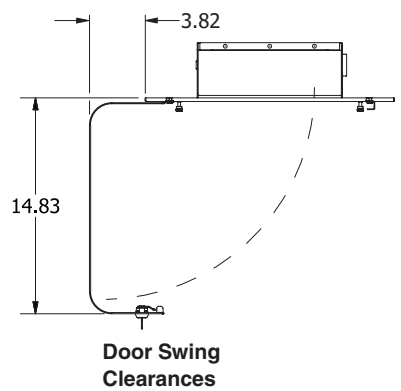
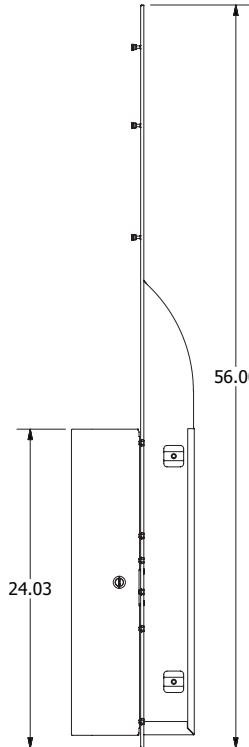
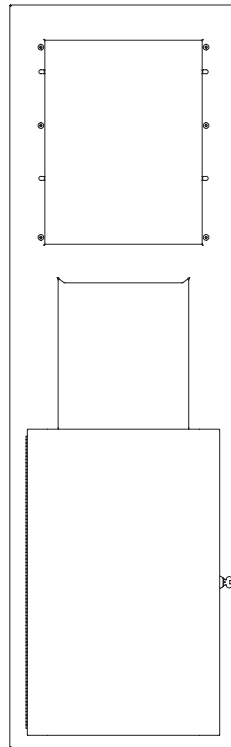
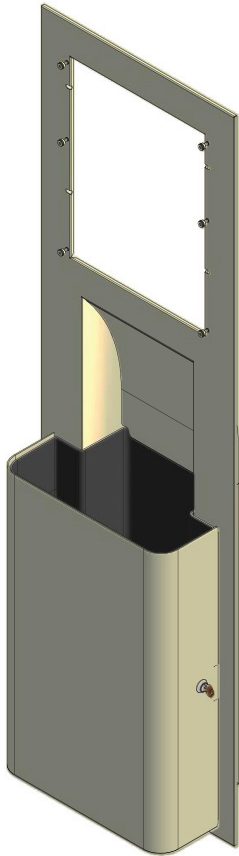


Rough Wall Opening:

- 11" Wide – with 31498 Housing
- 11½" Wide – with 31501 Housing
- 54½" High
- 4" Min. Depth



MOD* STAINLESS STEEL RECESSED WALL UNIT WITH TRASH RECEPTACLE

35370

Full recessed wall unit with trash receptacle is made from a 20 gauge brushed stainless steel. The unit is built with welded construction, seamless corners and burr-free edges. The 9.22 gal.capacity leakproof molded trash container is hidden behind a reversible stainless steel door that can quickly be flipped to change the swing direction of the door. The full wall unit when combined with our Narrow SS Dispenser Housing (31498) and Electronic Module allows the system to be installed between wall studs on 12 inch centers. A slightly wider SS Dispenser Housing (31501) also fits the wall unit and accepts all three versions of our dispensing modules (M-Module, E-Module and NG-Module). Both Dispenser Housings (31498-Narrow, 31501-Zero) and their respective modules will dispense one 8" diameter roll of 700' or 1150' product plus stub roll utilizing core plug mounting.

Suggested mounting height is 48" maximum from towel discharge opening to finished floor.

Dispenser Housing Codes

MOD* Stainless Steel Recessed Dispenser Housing • Narrow	31498
MOD* Stainless Steel Recessed Dispenser Housing • Zero	31501

NOTE: Unless otherwise noted, suggested mounting height is the distance from the floor to the bottom of the dispenser.