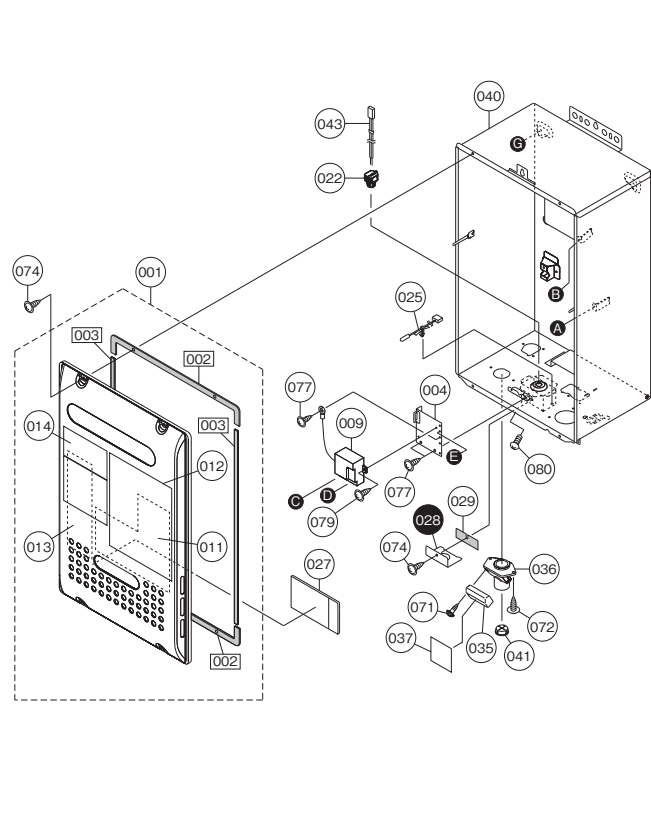
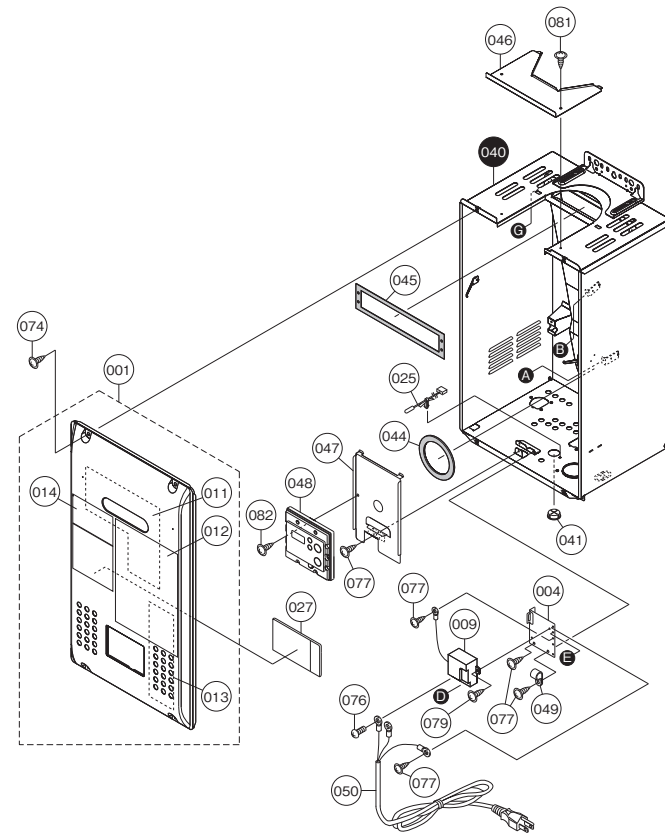


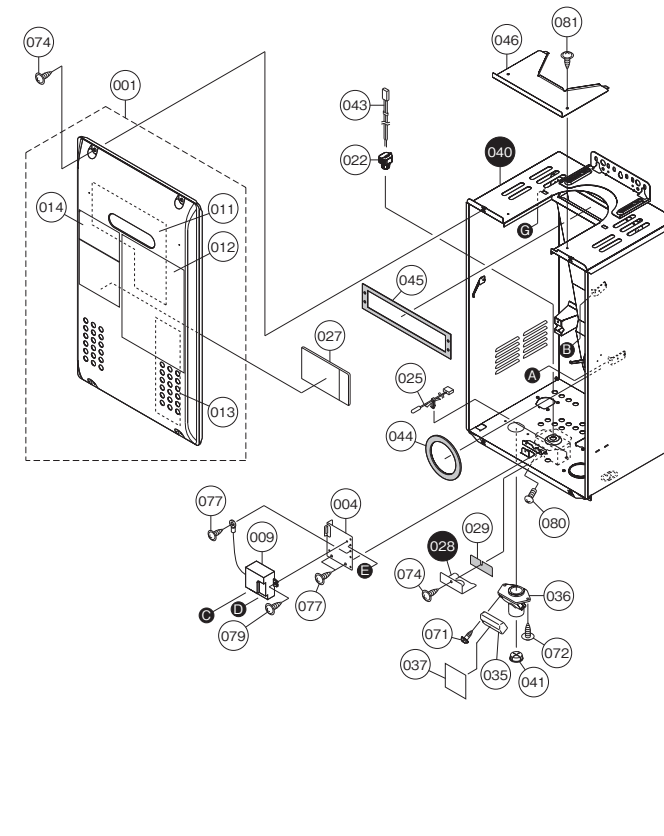
External outfitting NR980D (GQ-2857WX US)
NC1990D (GQ-2857WZ US)



External outfitting NR98DVC (GQ-2857WX-FFA US)



External outfitting NC199DVC (GQ-2857WZ-FFA US)



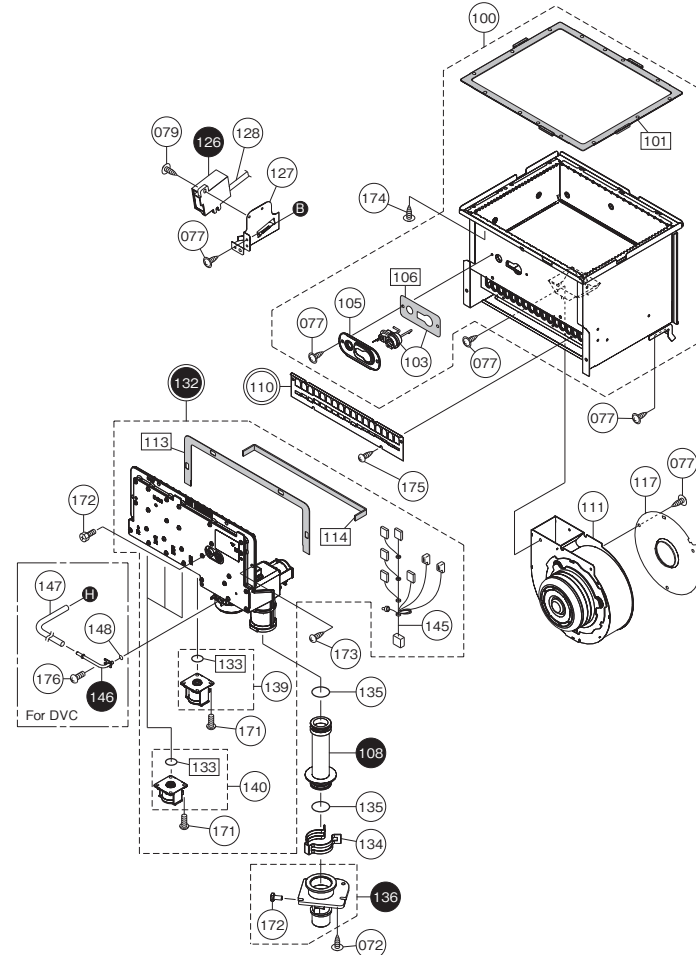
External outfitting 1
NR980D (GQ-2857WX US)-NR98DVC (GQ-2857WX-FFA US)
NC1990D (GQ-2857WZ US)-NC199DVC (GQ-2857WZ-FFA US)

Part Nos.	Part Names	Order Nos.	Q'ty/unit
001	Front Cover - NR980D (GQ-2857WX US)	SKJ71JK	1<GQ-2857WX US>
	Front Cover - NC1990D (GQ-2857WZ US)	SKJ71JL	1<GQ-2857WZ US>
	Front Cover - NR98DVC (GQ-2857WX-FFA US)	SKJ71JM	1<GQ-2857WX-FFA US>
	Front Cover - NC199DVC (GQ-2857WZ-FFA US)	SKJ71JN	1<GQ-2857WZ-FFA US>
002	Gasket - Front Cover Top and Bottom	EJAL002	2<GQ-2857WX(WZ) US>
003	Gasket - Front Cover Sides	AAPL017	2<GQ-2857WX(WZ) US>
004	Mounting Plate - Terminal Block and/or GFCI	ESWA032	1
009	Lightning Protection	ERDJ011	1
011	Wiring Diagram	EYTK001	1
012	Label - Outside Front Cover Caution Label	ELVK003	1
013	Label - Inside Front Cover Caution Label	ESW0006	1
014	Label - Name Plate	ELVK009	1<GQ-2857WX(WZ) US>
	Label - Name Plate	ELVK010	1<GQ-2857WX(WZ) FFA US>
022	Inlet Power Wire Clip	ETPA073	1<GQ-2857WX US>
			1<GQ-2857WZ US>
025	Thermistor - Air	BWCH003	1<GQ-2857WX FFA US>
027	Parts List/Technical sheet	EYTK051	1<GQ-2857WX US>
	Parts List/Technical sheet	EYTK075	1<GQ-2857WZ US>
028	Junction Box Cover	ENJA025	1<GQ-2857WZ FFA US>
			1<GQ-2857WX US>
029	Gasket - Junction Box Cover	ENWL005	1<GQ-2857WX US>
			1<GQ-2857WZ US>
035	Cover - External Remote Terminal Block	DNSA025	1<GQ-2857WZ FFA US>
			1<GQ-2857WX US>
036	External Remote Terminal Block	DNSA026	1<GQ-2857WX US>
			1<GQ-2857WZ US>
037	Label - Remote Terminal Caution Label	ENJK002	1<GQ-2857WX US>
			1<GQ-2857WZ US>
040	Case - NR980D (GQ-2857WX US)	ESWA001	1<GQ-2857WX US>
	Case - NC1990D (GQ-2857WZ US)	EVFA101	1<GQ-2857WZ US>
	Case - NR98DVC (GQ-2857WX-FFA US)	ESWA021	1<GQ-2857WX-FFA US>
	Case - NC199DVC (GQ-2857WZ-FFA US)	EVFA121	1<GQ-2857WZ-FFA US>
041	Wire Grommet - Rubber	CXPA026	1
043	Inlet Power Wires	ENJ020	1<GQ-2857WX US>
			1<GQ-2857WZ US>
044	Gasket - Fan Intake	ERDL001	1<GQ-2857WX(WZ) FFA US>
045	Gasket - Duct Intake	ERDL003	1<GQ-2857WX(WZ) FFA US>
046	Cover - Top of Case	ELVA099	1<GQ-2857WX(WZ) FFA US>
047	Mounting Plate - Remote Controller	ELVA100	1<GQ-2857WX-FFA US>
048	Remote Controller - Remote Controller	QXJ015	1<GQ-2857WX-FFA US>
049	Wire Clamp - Nylon	Z287909	1<GQ-2857WX-FFA US>
050	Power Supply Cord	ERDJ013	1<GQ-2857WX-FFA US>

External outfitting 2
NR980D (GQ-2857WX US)-NR98DVC (GQ-2857WX-FFA US)
NC1990D (GQ-2857WZ US)-NC199DVC (GQ-2857WZ-FFA US)

Part Nos.	Part Names	Order Nos.	Q'ty/unit
071	Screw - Remote Terminal Cover M4X12 S410		<GQ-2857WX US> <GQ-2857WZ US> <GQ-2857WX-FFA US>
072	Screw - Long Machine M4X12 S410		
074	Screw - Front Cover with washer M4X12 S410		
076	Screw - GFCI M3.5X6 S430		
077	Screw - Short Tapping M4XB S410		
079	Screw - Long Tapping M4X12 S410		
080	Screw - Remote Terminal M4XB S430		<GQ-2857WX US> <GQ-2857WZ US> <GQ-2857WX-FFA US>
081	Screw - Medium Tapping M4X12 S410		<GQ-2857WX(WZ) FFA US>
082	Screw - Extra Long Tapping M4X20		<GQ-2857WX(WZ) FFA US>

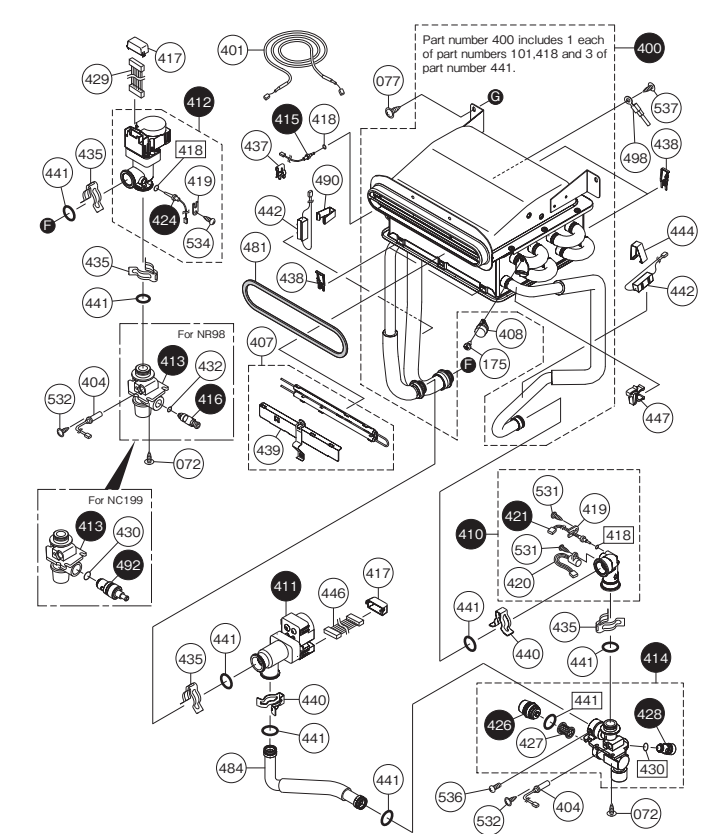
Combustion unit and gas route
NR980D (GQ-2857WX US)-NR98DVC (GQ-2857WX-FFA US)
NC1990D (GQ-2857WZ US)-NC199DVC (GQ-2857WZ-FFA US)



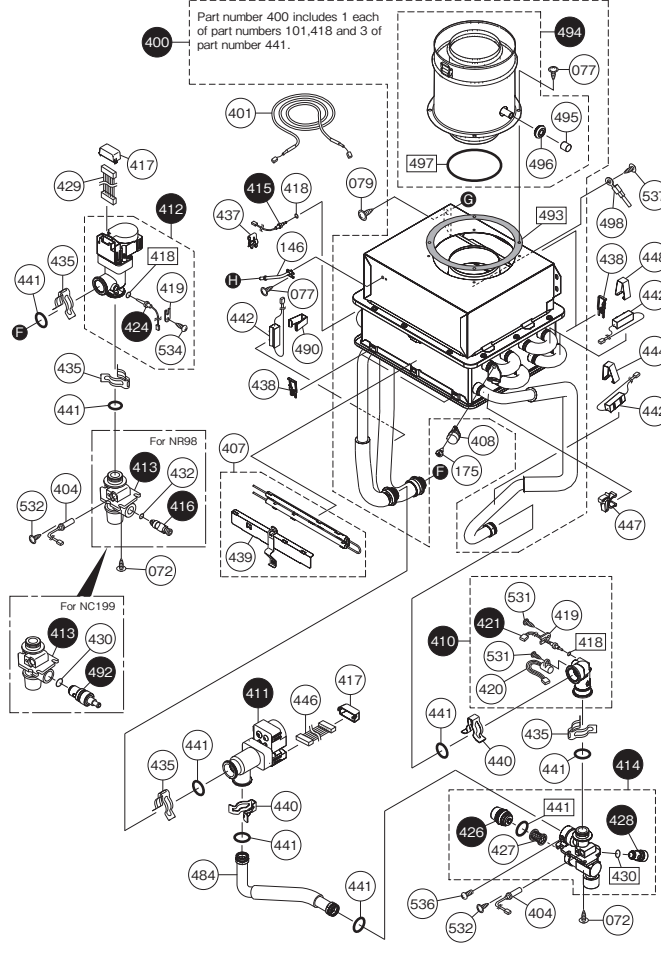
Combustion unit and gas route
NR980D (GQ-2857WX US)-NR98DVC (GQ-2857WX-FFA US)
NC1990D (GQ-2857WZ US)-NC199DVC (GQ-2857WZ-FFA US)

Part Nos.	Part Names	Order Nos.	Q'ty/unit
100	Burner w/ Gasket and Ignition Plug (SET)	SKH71B4	1<GQ-2857WX(WZ) US>
	Burner w/ Gasket and Ignition Plug (SET)	SKH7211	1<GQ-2857WX(WZ) FFA US>
101	Gasket - Burner	ESWL001	1
103	Ignition Plug w/ Gasket	SKG7311	1
105	Mounting Plate - Ignition Plug	ESWC011	1
106	Gasket - Ignition Plug	EHLK001	1
108	Gas Pipe	ETPE011	1
110	Burner Damper 17-13	EFWC033	1<LP>
	Burner Damper 17-14	EFWC034	1<NG>
111	Fan Motor w/ Housing	SKC7470	1<GQ-2857WX(WZ) US>
	Fan Motor w/ Housing	SKH7214	1<GQ-2857WX(WZ) FFA US>
113	Gasket - Manifold Plate Top	ERDL007	1
114	Gasket - Manifold Plate Bottom	ERDL009	1
117	Fan Plate φ44	CRUC045	1<GQ-2857WX(WZ) US>
	Fan Plate φ40	ETFF031	1<GQ-2857WX(WZ) FFA US>
126	Igniter	ERDJ112	1
127	Mounting Plate - Igniter	DTJA015	1
128	High Voltage Igniter Wire	SAC1229	1
132	Gas Valve w/ Manifold Plate 15 (SET)	SKH7203	1<GQ-2857WX(WZ) US LP>
	Gas Valve w/ Manifold Plate 24 (SET)	SKH7187	1<GQ-2857WX(WZ) US NG>
	Gas Valve w/ Manifold Plate 16 (SET)	SKH7215	1<GQ-2857WX(WZ) FFA US LP>
	Gas Valve w/ Manifold Plate 22 (SET)	SKH7216	1<GQ-2857WX(WZ) FFA US NG>
133	O-Ring - Gas Solenoid	SAA6044	5
134	"C" Clamp - Gas Pipe 25.4	6340601	1
135	O-Ring - Gas Pipe P25.5	SAB1512	2
136	Inlet Gas Connection w/ Screw (SET)	ELWIE021	1
139	Gas Manifold Solenoid 1	SKG7181	1
140	Gas Manifold Solenoid 2	SKG7316	3
145	Wiring Harness - Gas Valve	ESWJ015	1
146	Tube - Metal Back Pressure Tube	EHKA046	2<GQ-2857WX(WZ) FFA US>
147	Tube - Silicone	BVHF007	1<GQ-2857WX(WZ) FFA US>
148	O-Ring - Back Pressure Tube P4	2100908	1<GQ-2857WX(WZ) FFA US>
171	Screw - Machine w/ guide M4X12		
172	Screw - Inlet and Manifold Gas M4XB	SAC6082	2
173	Screw - Large Manifold Plate M5X16 S410		
174	Screw - Medium Tapping M4X10 S410		
175	Screw - Small Tapping w/o collar M4XB S410		
176	Screw - Small Tapping M4XB		<GQ-2857WX(WZ) FFA US>

Hot-water feed route
NR980D (GQ-2857WX US)-NC1990D (GQ-2857WZ US)



Hot-water feed route
NR98DVC (GQ-2857WX-FFA US)-NC199DVC (GQ-2857WZ-FFA US)



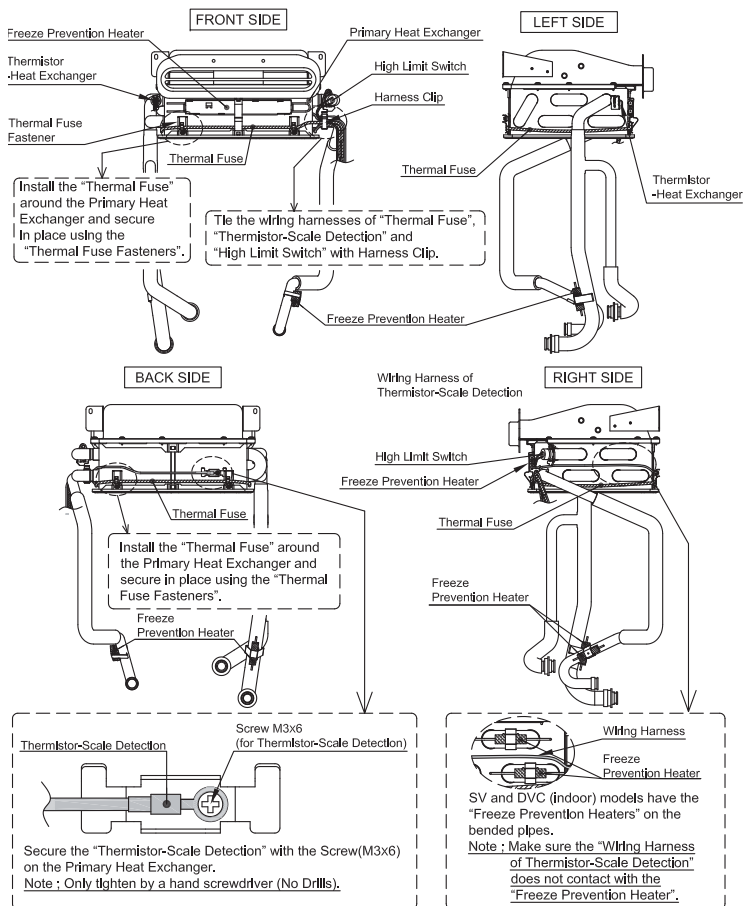
Hot-water feed route
NR980D (GQ-2857WX US)-NR98DVC (GQ-2857WX-FFA US)
NC1990D (GQ-2857WZ US)-NC199DVC (GQ-2857WZ-FFA US)

Part Nos.	Part Names	Order Nos.	Q'ty/unit
400	Heat Exchanger Kit (OD) (SET)	SKJ71J7	1<GQ-2857WX(WZ) US>
401	Heat Exchanger Kit (DVC) (SET)	SKJ71J9	1<GQ-2857WX(WZ) US>
402	Thermal Fuse	SKH71B9	1
404	Freeze Prevention Heater - Round Short	ERDHD03	2
407	Freeze Prevention Heater - Double Round (SET)	SKH71J92	1
408	High Limit Switch	ELVH002	1
410	Water Flow Sensor (SET)	ERDD011	1
411	Water Servo - Bypass (SET)	ETFD010	1
412	Water Servo -Main (SET)	ETFD011	1
413	Outlet Water Connection	ELVD004	1<GQ-2857WX(WZ) US>
414	Outlet Water Connection	ELVD004	1<GQ-2857WZ(FFA) US>
415	Inlet Water Connection (SET)	EJMD002	1
416	Thermistor - Hot Water	BWCD096	1
417	Drain Cock	CRUD003	1<GQ-2857WX(FFA) US>
418	Wire Cover - Servo	EBTDD023	2
419	O-Ring - Thermistor High Temp P4	T323709	3
420	Thermistor Holding Plate	ALSD088	2
421	Magnetic Sensor - Flow Sensor	BWCD090	1
422	Thermistor - Cold Water	BWCD097	1
424	Thermistor -Heat Exchanger	BWCD098	1
426	Water Filter Cap	DTJDD06	1
427	Water Filter	EGBD032	1
428	Safety Relief Valve	SAA2811	1
429	Wiring Harness - Main Water Servo	JBGJ024	1
430	O-Ring - High Temp P9	SAD6635	1<GQ-2857WX(FFA) US>
432	O-Ring - High Temp P9	SAD6635	2<GQ-2857WZ(FFA) US>
435	"C" Clamp - Water Pipe 16A	SAD6633	1<GQ-2857WX(FFA) US>
437	"C" Clamp - Thermistor	6SAK030	4
438	Clamp -Thermal Fuse	CRUD055	1
439	Clamp -Freeze Prevention	ERDHD02	4<GQ-2857WX(WZ) US>
440	"C" Clamp - Water Pipe 16-25	AMML001	1
441	O-Ring - High Temp P16	ETFJ033	2
442	Freeze Prevention Heater - Rectangle	3223302	8
443	Freeze Prevention Heater - Rectangle	ERDHD02	4<GQ-2857WX(WZ) US>
444	Clamp -Freeze Prevention	AMML001	1
446	Wiring Harness - Bypass Water Servo	ETFJ033	1
447	Clamp - Harness	SA82775	1
448	Clamp -Freeze Prevention	CRPL002	2<GQ-2857WX(WZ) FFA US>
481	Gasket - Exhaust (OD)	CZRL001	1<GQ-2857WX(WZ) US>
484	Pipe - Inlet to Bypass Servo	ESWD001	1
490	Clamp - Freeze Prevention	ELVLD11	1
492	Safety Relief Valve	EGGD029	1<GQ-2857WX(FFA) US>
493	Gasket - Flue To Exhaust Box	ELVLD19	1<GQ-2857WX(WZ) FFA US>
494	Concentric Flue Pipe (SET)	EYTF090	1<GQ-2857WX(WZ) FFA US>
495	Cover - Flue Condensate Drain	ELVF097	1<GQ-2857WX(WZ) FFA US>
496	Gasket - Flue Condensate Drain	ELVF096	1<GQ-2857WX(WZ) FFA US>
497	O-Ring - Concentric Flue Pipe P80	ELVF098	1<GQ-2857WX(WZ) FFA US>
498	Thermistor - Scale Detection (SET)	SK71N11	1
531	Screw - Round Head Medium Tapping M4X10 S305		
532	Screw - Short Machined M4X6 S410		
534	Screw - Round Head Medium Tapping M4X10 S410		
536	Screw - Black Set M4XB S430		
537	Screw - Round Head Tapping 3X6		

«Thermal Fuse Replacement Procedure»

Move the "Freeze Prevention Heaters", "High Limit Switch", "Thermistor-Scale Detection", "Thermistor-Heat Exchanger", "Thermal Fuse Fasteners", and "Harness Clip" from the old Primary Heat Exchanger to the new one.
(See 4 side view pictures below for location of each part.)

«Example ; OD(outdoor) model»



Procedure for Flushing the Heat Exchanger

This procedure is only intended for use by a qualified service professional or authorized Noritz Service Representative. Any unauthorized use of this procedure may result in voiding the warranty. Please contact Noritz America (866-766-7489) for additional support.

If the error code "C*#"-C*#** is flashing on the Remote Controller (or Operation Panel**), it means there is Scale Build-up in the Heat Exchanger. The Heat Exchanger needs to be flushed*** to remove the Scale Build-up.

Damage to the water heater due to Scale Build-up is not covered by the water heater's warranty.

To clear the error code "C*#"-C*#**, the Heat Exchanger must be flushed.

If the error code "C*#**" is displayed and flashing on the Remote Controller (or Operation Panel**), please contact Noritz America (866-766-7489).

** * = 1, 2, 3, 4, F / # = 0, 1, 2, 3, 4, 5, 6, 7, 8, 9

** NR98DVC(GQ-2857WX-FFA US) and NR83DVC(GQ-2457WZ-FFA US) only.

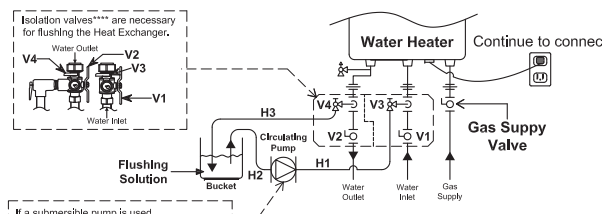
*** Connect the "blue connector for flushing" near the Circuit Board when flushing the Heat Exchanger. After connecting it, the water heater is set to "Flushing Mode".

The water heater must remain connected to electrical power when flushing the Heat Exchanger.

Basic Procedure

«Procedure 1. The preparation of the flushing system»

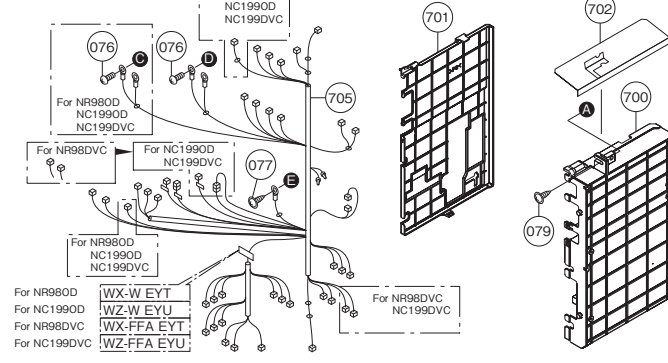
1. Close the gas supply valve.
2. Close the water inlet valve (V1) and the water outlet valve (V2).
3. Connect the one drain hose (H1) to the drain valve (V3), and then the other to the circulating pump.
4. Connect the drain hose (H2) to the circulating pump.
5. Connect the drain hose (H3) to the drain valve (V4).
6. Pour 1 gallon of "Calcium, Lime and Rust Removal Product" and 1 gallon water into the bucket. Noritz recommends "Calcium, Lime and Rust Removal Product" for flushing.
7. Place the both drain hoses (H2 and H3) into the bucket filled with the flushing solution.
8. Open the both drain valves (V3 and V4).



**** Isolation valves**** are necessary for flushing the Heat Exchanger. They allow for full diagnostic testing and easy flushing of the system. Contact Noritz America for more information.(866-766-7489)

Electronic control unit, Remote controller and Attached set
NR980D (GQ-2857WX US)-NR98DVC (GQ-2857WX-FFA US)
NC1990D (GQ-2857WZ US)-NC199DVC (GQ-2857WZ-FFA US)

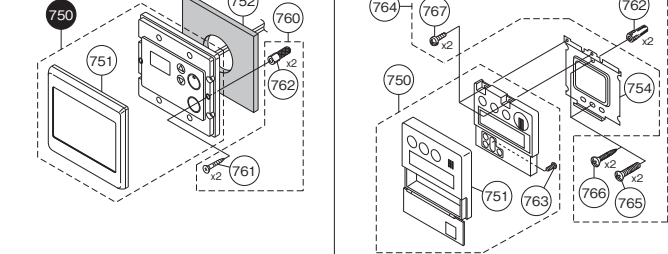
Electronic control unit



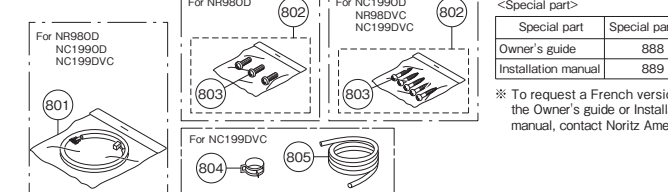
Remote controller

For NR980D (GQ-2857WX US)
RC-7651M-ENG

For NR980D (GQ-2857WX US)
RC-9018M US



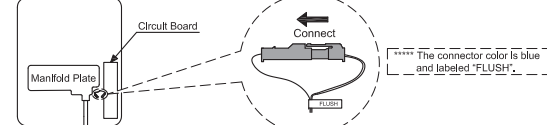
Attached set



«Procedure 2. Flushing the Heat Exchanger»

1. Open the Front Cover.
2. Connect the "blue connector**** for flushing" near the Circuit Board.

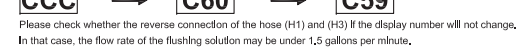
Water Heater



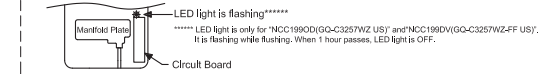
CCC

3. Then the code "CCC" is displayed on the Remote Controller.
4. Turn on the circulating pump to circulate the flushing solution through the water heater for 1 hour at a rate of 1.5 gallons per minute or more.
5. The code "C60" is displayed on the Remote Controller when the water heater detects the flow of the flushing solution.

When 1 minute passes, the code "C60" will change to "C59" on the Remote Controller.



Please check whether the reverse connection of the hose (H1) and (H3) if the display number will not change. In that case, the flow rate of the flushing solution may be under 1.5 gallons per minute.

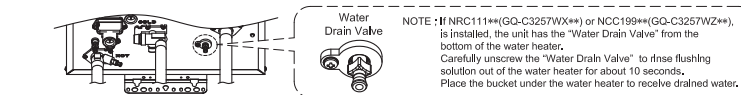


6. When 1 hour passes, the code "C00" is flashing on the Remote Controller. Do not disconnect the "blue connector for flushing".
7. Turn off the circulating pump.

«Procedure 3. Cleaning the Heat Exchanger»

The flushing solution needs to be rinsed and cleaned out of the water heater.

1. Remove both drain hoses (H2 and H3) from the bucket. And then place the drain hose (H3) into the sink or outside to drain.
2. Close the drain valve (V3) and then open the water inlet valve (V1). Do not open the fresh water outlet valve (V2).
3. Clean the water heater with fresh water for 3 minutes or more. (Needs to have enough time to clean the water heater.)



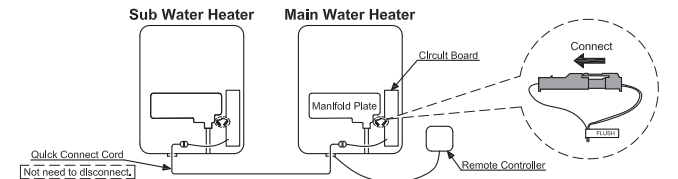
4. Close the drain valve (V4) and then remove the drain hose (H3) from the drain valve (V4).
5. Remove the drain hose (H1) from the drain valve (V3).
6. Disconnect the "blue connector for flushing" near the Circuit Board. The code "C00" goes out on the Remote Controller.
7. Close the Front Cover.
8. Open the gas supply valve and water outlet valve (V2).
9. Check for correct operation of the water heater.

Electronic control unit, Remote controller and Attached set
NR980D (GQ-2857WX US)-NR98DVC (GQ-2857WX-FFA US)
NC1990D (GQ-2857WZ US)-NC199DVC (GQ-2857WZ-FFA US)

Part Nos.	Part Names	Order Nos.	Q'ty/unit
700	Circuit Board	SHC70V4	1
701	Cover - Circuit Board	ERDJO08	1
702	Cover - Circuit Board Water Resistant	ERDA023	1
705	Wiring Harness - NR980D (GQ-2857WX US)	EYJ002	1<GQ-2857WX US>
	Wiring Harness - NC1990D (GQ-2857WZ US)	EYJ0011	1<GQ-2857WZ US>
	Wiring Harness - NR98DVC (GQ-2857WX-FFA US)	EYJ021	1<GQ-2857WX-FFA US>
	Wiring Harness - NC199DVC (GQ-2857WZ-FFA US)	EYJ021	1<GQ-2857WZ-FFA US>
750	Remote Controller - RC-7651M (SET)	OXU017	1<GQ-2857WX US>
	Remote Controller - RC-9018M (SET)	ONQJ015	1<GQ-2857WZ US>
751	Cover - Remote	QMEA003	1<GQ-2857WX US>
	Cover - Remote RC-9018M	ONQA020	1<GQ-2857WZ US>
752	Mounting Packing - Remote	QHUA115	1<GQ-2857WX US>
754	Mounting Plate - Remote RC-9018M	QONA021	1<GQ-2857WZ US>
760	Screw Package - Remote(SET)	QQUA100	1<GQ-2857WX US>
761	Screw - Round Head Wood M4.1X25 S305		<GQ-2857WX US>
762	Dry Wall AnchorsBX25		<GQ-2857WZ US>
763	Screw - Round Head Machine M3X6 S430		<GQ-2857WX-FFA US>
764	Screw Package - RC 9018M (SET)	QONA100	1<GQ-2857WZ US>
765	Screw - Flat Head Machine M4X35		1<GQ-2857WX-FFA US>
	Screw - Flat Head Tapping 4X20		<GQ-2857WZ US>
766	Screw - Flat Head Tapping 4X20		<GQ-2857WZ US>
767	Screw - Round Head Machine M3X6		<GQ-2857WZ US>
			<GQ-2857WZ-FFA US>
800	Box - NR980D (GQ-2857WX US)	SKH7200	1<GQ-2857WX US>
	Box - NC1990D (GQ-2857WZ US)	SKH7201	1<GQ-2857WZ US>
	Box - NR98DVC (GQ-2857WX-FFA US)	SKH7212	1<GQ-2857WX-FFA US>
	Box - NC199DVC (GQ-2857WZ-FFA US)	SKH7213	1<GQ-2857WZ-FFA US>
801	Remote Cord - 10 ft.	ETHM001	1<GQ-2857WX US>
			1<GQ-2857WZ US>
			1<GQ-2857WX-FFA US>
802	Screw Package - Mounting OD	SAB2286	1<GQ-2857WX US>
	Wood Screw set5	SAF6007	1<GQ-2857WZ US>
			1<GQ-2857WX-FFA US>
803	Screw - Mounting Machine M5X12 S430		1<GQ-2857WZ US>
	Screw - Round Head Wood 4.8X38 S305		<GQ-2857WX US>
			<GQ-2857WZ US>
804	Clamp - Condensate Drain Hose (External)	1230701	1<GQ-2857WX-FFA US>
805	Hose - Condensate (External)	AHED061	1<GQ-2857WZ-FFA US>
888	Owner's Guide - NR980D (GQ-2857WX US)	SBB80J3	1<GQ-2857WX US>
	Owner's Guide - NR98DVC (GQ-2857WX-FFA US)	SBB80J7	1<GQ-2857WX-FFA US>
	Owner's Guide - NC1990D (GQ-2857WZ US)	SBB80J4	1<GQ-2857WZ US>
	Owner's Guide - NC199DVC (GQ-2857WZ-FFA US)	SBB80J8	1<GQ-2857WZ-FFA US>
889	Installation Manual - NR980D (GQ-2857WX US)	SBB80J4	1<GQ-2857WX US>
	Installation Manual - NC1990D (GQ-2857WZ US)	SBB80J8	1<GQ-2857WZ US>
	Installation Manual - NR98DVC (GQ-2857WX-FFA US)	SBB80J6	1<GQ-2857WX-FFA US>
	Installation Manual - NC199DVC (GQ-2857WZ-FFA US)	SBB80J9	1<GQ-2857WZ-FFA US>

In case of the "Quick Connect Multi System Procedure"

1. Connect the "blue connector for flushing" of need to be flushed. (The water heater is isolated from Quick Connect Multi system when the "blue connector for flushing" is connected. Not need to disconnect the Quick Connect Cord.)

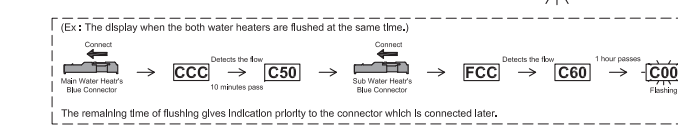
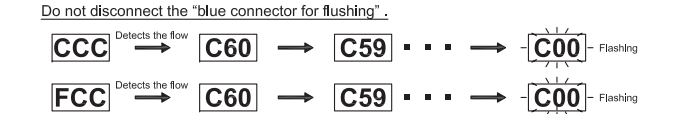


2. Then the code "CCC" or "FCC" is displayed on the Remote Controller.

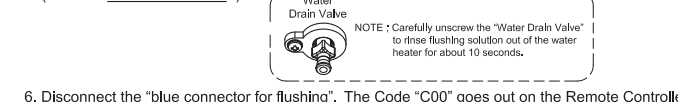
CCC is displayed when the Main Water Heater's blue connector is connected.

FCC is displayed when the Sub Water Heater's blue connector is connected.

2. Turn on the circulating pump to circulate the flushing solution through the water heater for 1 hour at a rate of 1.5 gallons per minute or more. (LED light is flashing while flushing the heat exchanger. See the "Procedure 2.5".)
3. When 1 hour passes, the code "C00" is flashing on the Remote Controller. Do not disconnect the "blue connector for flushing".



4. Turn off the circulation pump.
5. Rinse and clean the flushing solution out of the water heater in accordance with "Procedure 3". (See the "Procedure 3.1-3.5".)



6. Disconnect the "blue connector for flushing". The Code "C00" goes out on the Remote Controller.
7. Close the Front Cover.
8. Open the gas supply valve and water outlet let valve.
9. Check for correct operation of the water heater.

See the Installation Manual in case of the "Multi System's Flushing Procedure".

Please contact Noritz America if more information is needed for flushing. (Phone #: 866-766-7489)