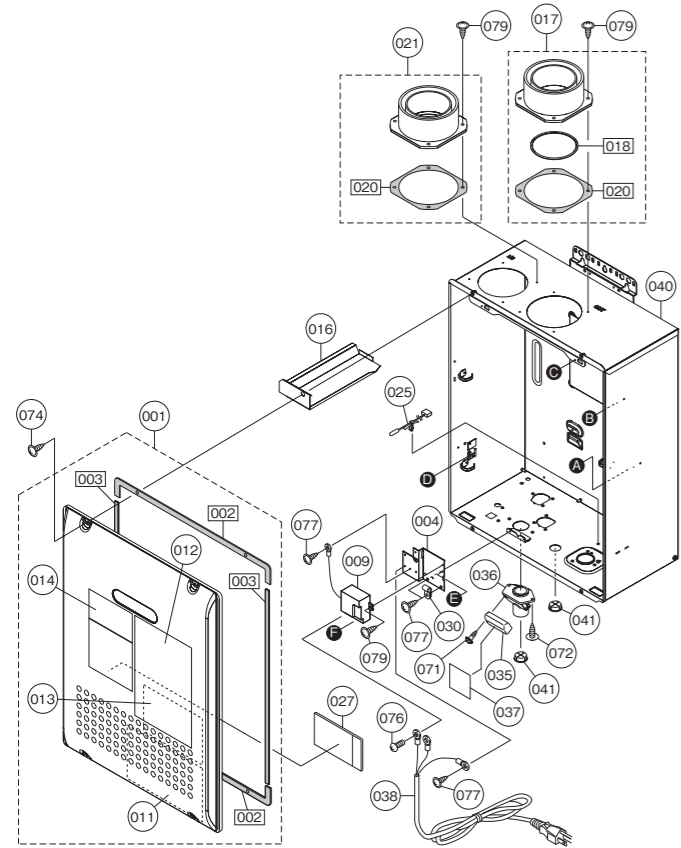
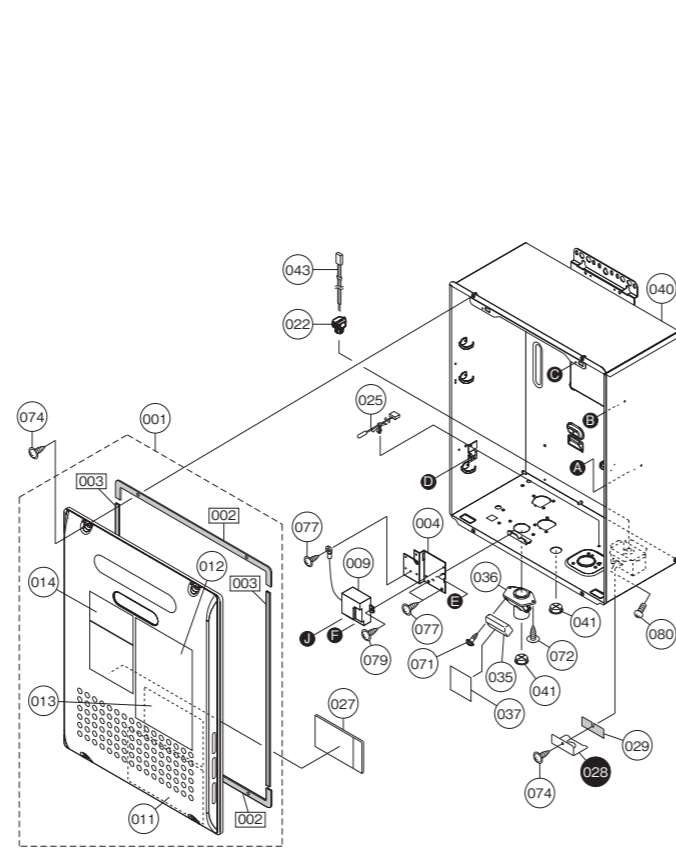


External outfitting NRC98DV (GQ-C2857WS-FF US)



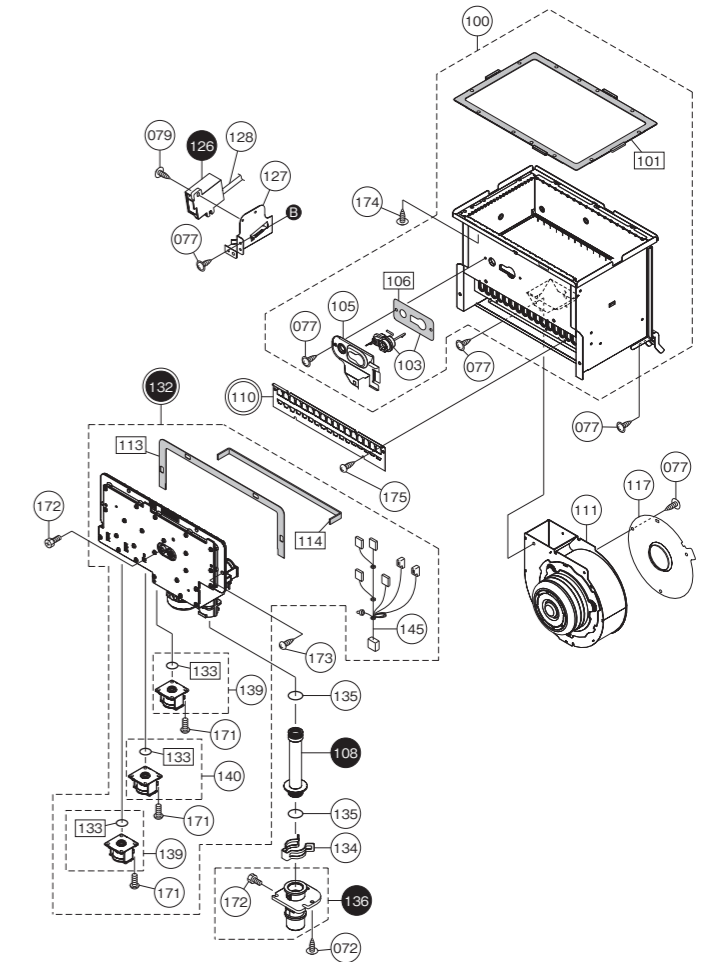
External outfitting NRC980D (GQ-C2857WS US)



External outfitting NRC98DV (GQ-C2857WS-FF US)
NRC980D (GQ-C2857WS US)

Part Nos.	Part Names	Order Nos.	Q'ty/unit
001	Front Cover - NRC98DV (GQ-C2857WS-FF US)	SKJ71JQ	1<GQ-C2857WS-FF US>
002	Front Cover - NRC980D (GQ-C2857WS US)	SKJ71JR	1<GQ-C2857WS US>
003	Gasket - Front Cover Top and Bottom	AAPL015	2
004	Gasket - Front Cover Sides	AAPL017	2
009	Mounting Plate - Terminal Block and/or GFCI	DZTA006	1
009	Lightning Protection	ERDJ011	1
011	Wiring Diagram	EYWK001	1
012	Label - Outside Front Cover Caution Label	ELVK003	1
013	Label - Inside Front Cover Caution Label	ELVK006	1
014	Label - Name Plate	ELVK010	1<GQ-C2857WS-FF US>
016	Label - Name Plate	ELVK009	1<GQ-C2857WS US>
016	Air intake deflector plate - plastic	ENJA016	1<GQ-C2857WS-FF US>
017	Exhaust Flue w/ O-Ring and Gasket (SET)	ETHF021	1<GQ-C2857WS-FF US>
018	O-Ring - Exhaust Flue #92	ETHF025	1<GQ-C2857WS-FF US>
020	Gasket - Exhaust Flue	ETHF024	2<GQ-C2857WS-FF US>
021	Intake Flue w/ Gasket (SET)	ETHF031	1<GQ-C2857WS-FF US>
022	Inlet Power Wire Clip	ETPA073	1<GQ-C2857WS US>
025	Thermistor - Air	BWCH003	1
027	Parts List/Technical sheet	EYWK043	1
028	Junction Box Cover	ENJA025	1<GQ-C2857WS US>
029	Gasket - Junction Box Cover	ENWL005	1<GQ-C2857WS US>
030	Wire Clamp - Nylon	7287909	1<GQ-C2857WS-FF US>
035	Cover - External Remote Terminal Block	DNSA025	1
036	External Remote Terminal Block	DNSA026	1
037	Label - Remote Terminal Caution Label	ENUK002	1
038	Power Supply Cord	ERDJ013	1<GQ-C2857WS-FF US>
040	Case - NRC98DV (GQ-C2857WS-FF US)	ETHA011	1<GQ-C2857WS-FF US>
040	Case - NRC980D (GQ-C2857WS US)	ETHA001	1<GQ-C2857WS US>
041	Wire Grommet - Rubber	CXPA026	2
043	Inlet Power Wires	ENJ020	1<GQ-C2857WS US>
071	Screw - Remote Terminal Cover M4X12 S410		
072	Screw - Long Machine M4X12 S410		
074	Screw - Front Cover with washer M4X12 S410		
076	Screw - GFCI M3.5X6 S430		
077	Screw - Short Tapping M4X8 S410		
079	Screw - Long Tapping M4X12 S410		
080	Screw - Remote Terminal M4X8 S430		

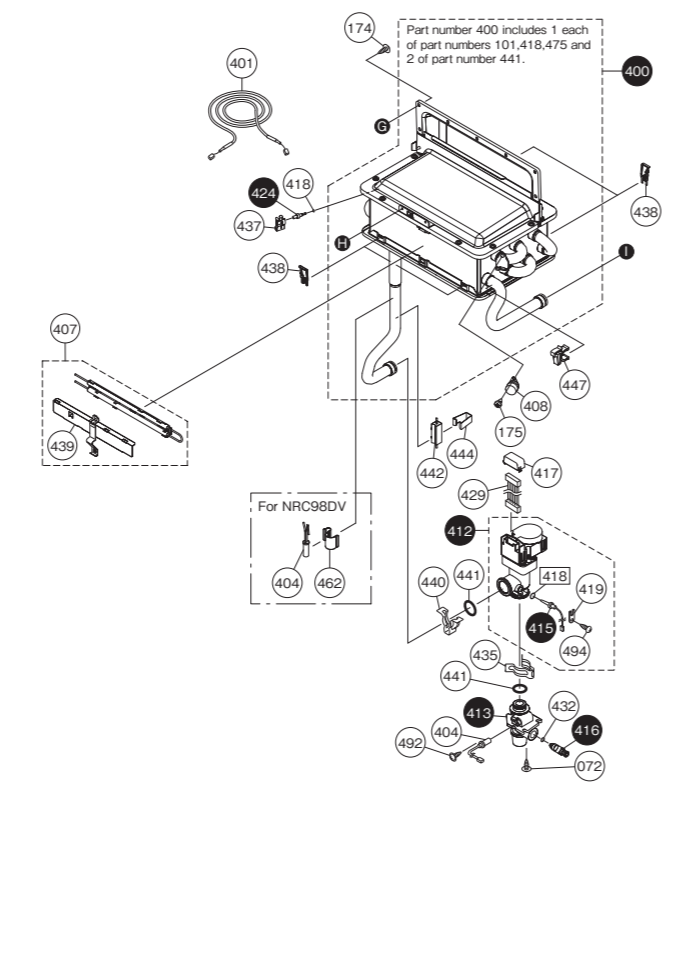
Combustion unit and gas route NRC98DV (GQ-C2857WS-FF US)
NRC980D (GQ-C2857WS US)



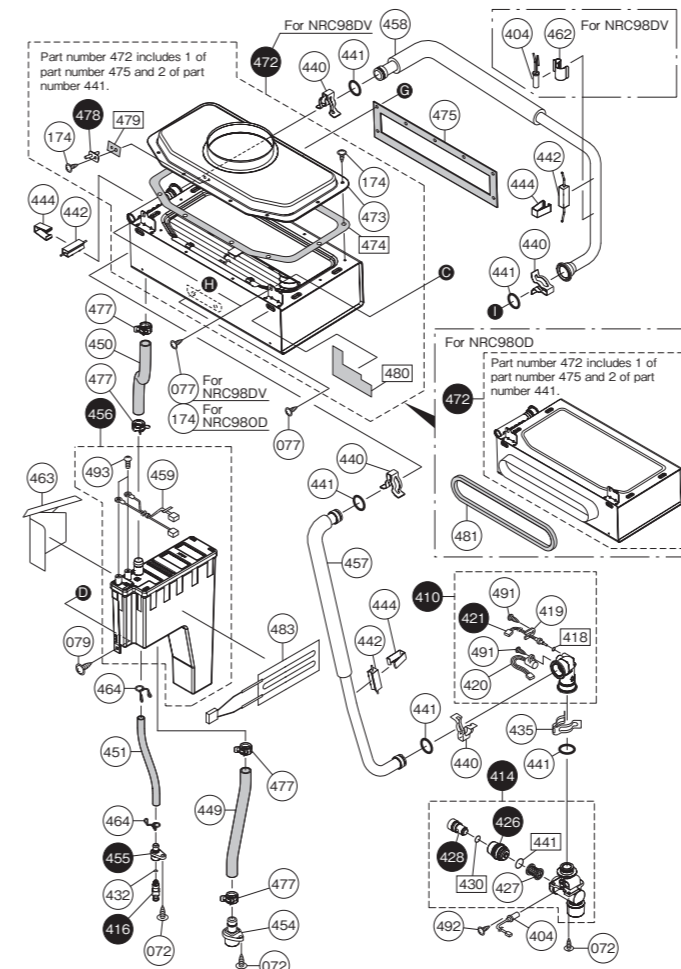
Combustion unit and gas route NRC98DV (GQ-C2857WS-FF US)
NRC980D (GQ-C2857WS US)

Part Nos.	Part Names	Order Nos.	Q'ty/unit
100	Burner w/ Gasket and Ignition Plug (SET)	SKG7858	1
101	Gasket - Burner	ERDL011	1
102	Ignition Plug w/ Gasket	SKG7311	1
103	Mounting Plate - Ignition Plug	EGLC014	1
106	Gasket - Ignition Plug	EHLK001	1
108	Gas Pipe	ETHE001	1
110	Burner Damper 17-16	EFWC036	1<GQ-C2857WS-FF US LP>
111	Burner Damper 17-15	EFWC035	1<GQ-C2857WS US LP>
112	Burner Damper 17-12	EFWC032	1<GQ-C2857WS US ND>
113	Fan Motor w/ Housing	SKD7441	1<GQ-C2857WS-FF US>
114	Fan Motor w/ Housing	SKC7683	1<GQ-C2857WS US>
117	Gasket - Manifold Plate Top	ERDL007	1
118	Gasket - Manifold Plate Bottom	ERDL009	1
119	Fan Plate #40	EHKF424	1<GQ-C2857WS-FF US>
126	Fan Plate #48	CRUC046	1<GQ-C2857WS US>
127	Igniter	ERDJ112	1
128	Mounting Plate - Igniter	DTJA015	1
129	High Voltage Igniter Wire	SAC1229	1
132	Gas Valve w/ Manifold Plate 16 (SET)	SKG7860	1<GQ-C2857WS-FF US LP>
133	Gas Valve w/ Manifold Plate 26 (SET)	SKH7025	1<GQ-C2857WS-FF US NG>
134	Gas Valve w/ Manifold Plate 15 (SET)	SKG7989	1<GQ-C2857WS US LP>
135	Gas Valve w/ Manifold Plate 25 (SET)	SKG7994	1<GQ-C2857WS US NG>
136	O-Ring - Gas Solenoid	SAA6044	3
137	C Clamp - Gas Pipe 16B	6340407	1
138	O-Ring - Gas P18	2110903	2
139	Inlet Gas Connection w/ Screw (SET)	ELVK021	1
140	Gas Manifold Solenoid 1	SKG7315	2
141	Gas Manifold Solenoid 2	SKG7316	1
145	Wiring Harness - Gas Valve	ERDJ015	1
171	Screw - Machine w/ guide M4X12		
172	Screw - Inlet and Manifold Gas M4X8	SAC6082	2
173	Screw - Large Manifold Plate M5X16 S410		
174	Screw - Medium Tapping M4X10 S410		
175	Screw - Small Tapping w/o collar M4X8 S410		

Hot-water feed route 1 NRC98DV (GQ-C2857WS-FF US)
NRC980D (GQ-C2857WS US)



Hot-water feed route 2 NRC98DV (GQ-C2857WS-FF US)
NRC980D (GQ-C2857WS US)

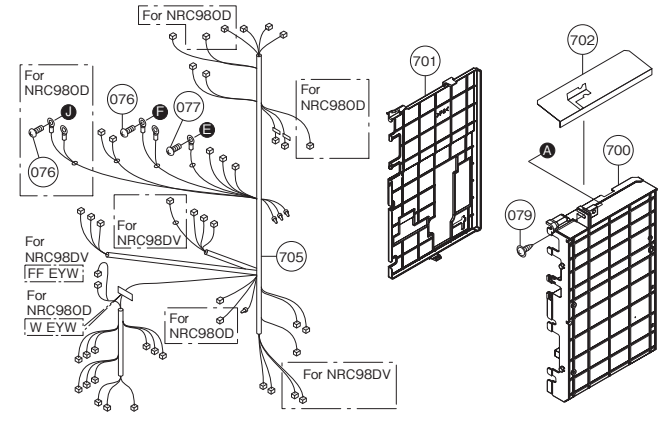


Hot-water feed route NRC98DV (GQ-C2857WS-FF US)
NRC980D (GQ-C2857WS US)

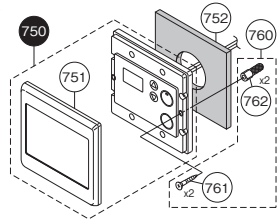
Part Nos.	Part Names	Order Nos.	Q'ty/unit
400	Heat Exchanger Kit (DV) (SET)	SKJ71JA	1
401	Thermal Fuse	SKG7863	1
404	Freeze Prevention Heater - Round Short	ERDH003	4<GQ-C2857WS-FF US>
406	Freeze Prevention Heater - Round Short	ERDH003	2<GQ-C2857WS US>
407	Freeze Prevention Heater - Double Round (SET)	SKG7317	1
408	High Limit Switch	ELVH002	1
410	Water Flow Sensor (SET)	ERDD011	1
412	Water Servo (SET)	ETHD025	1
413	Outlet Water Connection	EHJD004	1
414	Inlet Water Connection (SET)	ETHD021	1
415	Thermistor - Hot Water	BWCD056	1
416	Drain Cock	CRUD003	2
417	Wire Cover - Servo	EBTD023	1
418	O-Ring - Thermostat High Temp P4	1323709	3
419	Thermistor Holding Plate	ALSD088	2
420	Magnetic Sensor - Flow Sensor	BWCD050	1
421	Thermistor - Cold Water	BWCD097	1
424	Thermistor - Heat Exchanger	BWCD098	1
426	Water Filter Cap	ETHD026	1
427	Water Filter	EGBD032	1
428	Safety Relief Valve	SAR2811	1
429	Wiring Harness - Main Water Servo	JBGJ024	1
430	O-Ring - High Temp P9	SAD6635	1
432	O-Ring - High Temp P3	SAD6633	2
435	C Clamp - Water Pipe 16A	6340300	2
437	C Clamp - Thermostat	CRUD055	1
438	Clamp - Thermal Fuse	EGH002	4
439	Clamp - Freeze Prevention	ERDH011	

Electronic control unit, Remote controller and Attached set
NRC98DV (GQ-C2857WS-FF US)·NRC980D (GQ-C2857WS US)

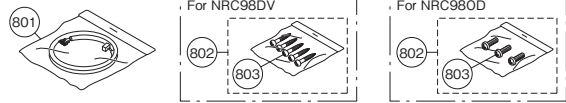
Electronic control unit



Remote controller
RC-7651M-ENG



Attached set



Special part	Special part no.
Owner's guide	888
Installation manual	889

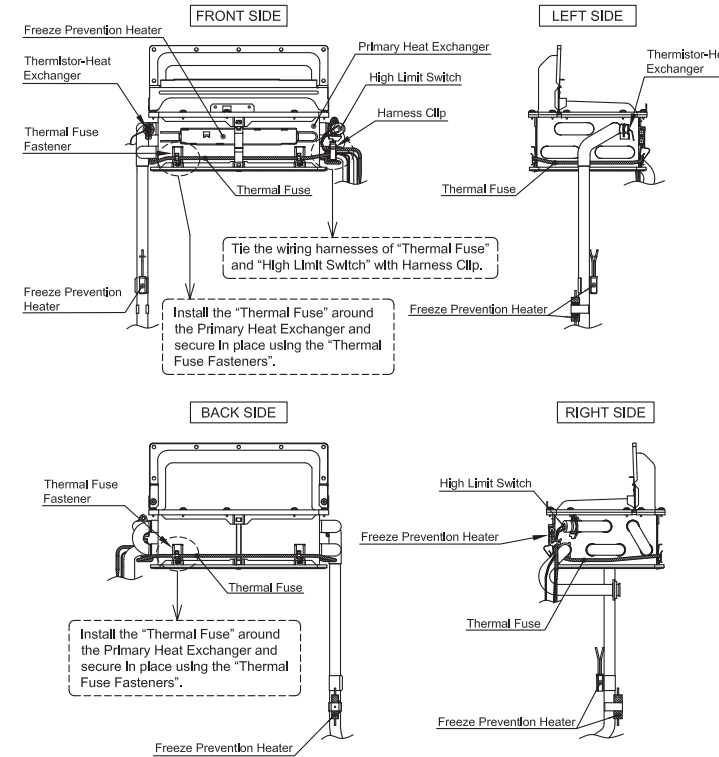
※ To request a French version of the Owner's guide or Installation manual, contact Noritz America.

Electronic control unit, Remote controller and Attached set
NRC98DV (GQ-C2857WS-FF US)·NRC980D (GQ-C2857WS US)

Part Nos.	Part Names	Order Nos.	Qty/unit
700	Circuit Board	SHC70V3	1
701	Cover - Circuit Board	EPD3008	1
702	Cover - Circuit Board Water Resistant	ETHA023	1
705	Wiring Harness - NRC98DV (GQ-C2857WS-FF US)	EYWJ021	1<GQ-C2857WS-FF US>
	Wiring Harness - NRC980D (GQ-C2857WS US)	EYWJ011	1<GQ-C2857WS US>
750	Remote Controller - RC-7651M (SET)	QXJ017	1
751	Cover - Remote	QMEA003	1
752	Mounting Packing - Remote	QHUJ115	1
760	Screw Package - Remote(SET)	QQUJ100	1
761	Screw - Round Head Wood M4.1X25 S305		
762	Dry Wall Anchors6X25		
800	Box	SKUJ1QH	1
801	Remote Cord - 10 ft	ETHM001	1
802	Wood Screw sets	1<GQ-C2857WS-FF US>	
		1<GQ-C2857WS US>	
		<GQ-C2857WS-FF US>	
		<GQ-C2857WS US>	
803	Screw - Round Head Wood 4.8X38 S305		
		1<GQ-C2857WS-FF US>	
		1<GQ-C2857WS US>	
888	Owner's Guide	SBB80JP	1
889	Installation Manual - NRC98DV (GQ-C2857WS-FF US)	SBB80JR	1<GQ-C2857WS-FF US>
	Installation Manual - NRC980D (GQ-C2857WS US)	SBB80JU	1<GQ-C2857WS US>

« Thermal Fuse Replacement Procedure »

Move the "Freeze Prevention Heaters", "Thermal Fuse Fasteners", "High Limit Switch", "Thermistor-Heat Exchanger", and "Harness Clip" from the old Primary Heat Exchanger to the new one.
(See 4 side view pictures below for location of each part.)



Procedure for Flushing the Heat Exchanger

This procedure is only intended for use by a qualified service professional or authorized Noritz Service Representative. Any unauthorized use of this procedure may result in voiding the warranty. Please contact Noritz America (866-766-7489) for additional support.

If the error code "C*#~C*#" is flashing on the Remote Controller (or Operation Panel**), it means there is Scale Build-up in the Heat Exchanger. The Heat Exchanger needs to be flushed*** to remove the Scale Build-up.

Damage to the water heater due to Scale Build-up is not covered by the water heater's warranty. To clear the error code "C*#~C*#", the Heat Exchanger must be flushed.

If the error code "C*#" is displayed and flashing on the Remote Controller (or Operation Panel**), please contact Noritz America (866-766-7489).

* * = 1, 2, 3, 4, F / # = 0, 1, 2, 3, 4, 5, 6, 7, 8, 9

** NR98DV(GQ-2857WX-FFA US) and NR83DVC(GQ-2457WS-FFA US) only.

*** Connect the "blue connector for flushing" near the Circuit Board when flushing the Heat Exchanger.

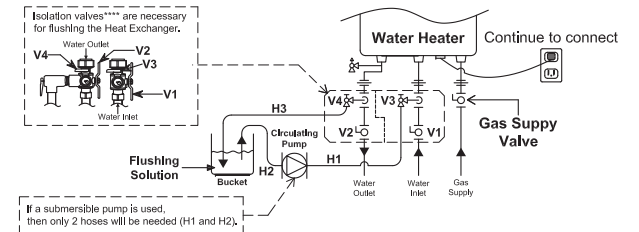
After connecting it, the water heater is set to "Flushing Mode".

The water heater must remain connected to electrical power when flushing the Heat Exchanger.

Basic Procedure

« Procedure 1. The preparation of the flushing system »

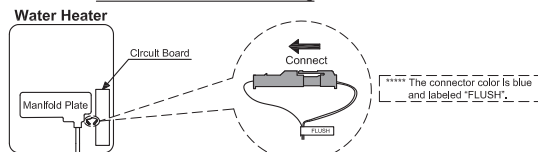
1. Close the gas supply valve.
2. Close the water inlet valve (V1) and the water outlet valve (V2).
3. Connect the one drain hose (H1) to the drain valve (V3), and then the other to the circulating pump.
4. Connect the drain hose (H2) to the circulating pump.
5. Connect the drain hose (H3) to the drain valve (V4).
6. Pour 1 gallon of "Calcium, Lime and Rust Removal Product" and 1 gallon water into the bucket.
7. Place the both drain hoses (H2 and H3) into the bucket filled with the flushing solution.
8. Open the both drain valves (V3 and V4).



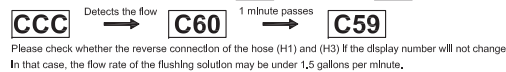
**** Isolation valves may be purchased as an accessory from an authorized Noritz wholesaler. They allow for full diagnostic testing and easy flushing of the system. Contact Noritz America for more information.(866-766-7489)

« Procedure 2. Flushing the Heat Exchanger »

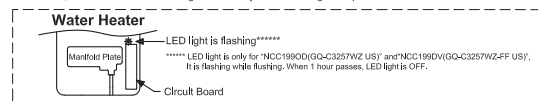
1. Open the Front Cover.
2. Connect the "blue connector**** for flushing" near the Circuit Board.



3. Then the code "CCC" is displayed on the Remote Controller.
4. Turn on the circulating pump to circulate the flushing solution through the water heater for 1 hour at a rate of 1.5 gallons per minute or more.
5. The code "C60" is displayed on the Remote Controller when the water heater detects the flow of the flushing solution.



Please check whether the reverse connection of the hose (H1) and (H3) if the display number will not change. In that case, the flow rate of the flushing solution may be under 1.5 gallons per minute.

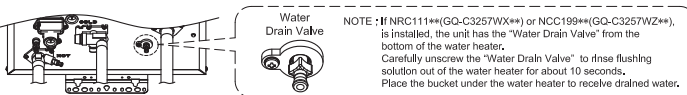


6. When 1 hour passes, the code "C00" is flashing on the Remote Controller. Do not disconnect the "blue connector for flushing".
7. Turn off the circulating pump.

« Procedure 3. Cleaning the Heat Exchanger »

The flushing solution needs to be rinsed and cleaned out of the water heater. Below is the way to rinse and clean the flushing solution.

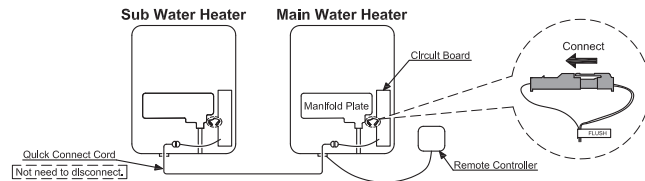
1. Remove both drain hoses (H2 and H3) from the bucket. And then place the drain hose (H3) into the sink or outside to drain.
2. Close the drain valve (V3) and then open the water inlet valve (V1). Do not open the fresh water outlet valve (V2).
3. Clean the water heater with fresh water for 3 minutes or more. (Needs to have enough time to clean the water heater.)



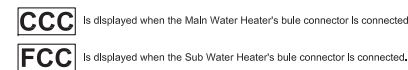
4. Close the drain valve (V4) and then remove the drain hose (H3) from the drain valve (V4).
5. Remove the drain hose (H1) from the drain valve (V3).
6. Disconnect the "blue connector for flushing" near the Circuit Board. The code "C00" goes out on the Remote Controller.
7. Close the Front Cover.
8. Open the gas supply valve and water outlet valve (V2).
9. Check for correct operation of the water heater.

In case of the "Quick Connect Multi System Procedure"

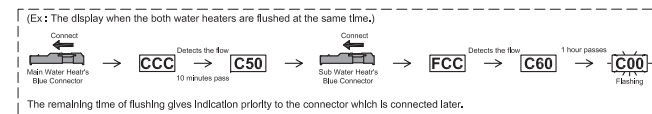
1. Connect the "blue connector for flushing" of need to be flushed. (The water heater is isolated from Quick Connect Multi system when the "blue connector for flushing" is connected. Not need to disconnect the Quick Connect Cord.)



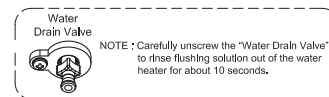
2. Then the code "CCC" or "FCC" is displayed on the Remote Controller.



2. Turn on the circulating pump to circulate the flushing solution through the water heater for 1 hour at a rate of 1.5 gallons per minute or more. (LED light is flashing while flushing the heat exchanger. See the "Procedure 2.5".)
3. When 1 hour passes, the code "C00" is flashing on the Remote Controller. Do not disconnect the "blue connector for flushing".



4. Turn off the circulation pump.
5. Rinse and clean the flushing solution out of the water heater in accordance with "Procedure 3". (See the "Procedure 3.1-3.5".)



6. Disconnect the "blue connector for flushing". The Code "C00" goes out on the Remote Controller.
7. Close the Front Cover.
8. Open the gas supply valve and water outlet valve.
9. Check for correct operation of the water heater.

See the Installation Manual in case of the "Multi System's Flushing Procedure".

Please contact Noritz America if more information is needed for flushing. (Phone #: 866-766-7489)