



# UPBA150/150S 3/8"-3"



**Bronze Ball Valve For Potable Water**  
**Two Piece**  
**Standard Port (1" - 3") Full Port (3/8" - 3/4")**  
**600 psig WOG**  
**Solder Ends**  
**Blow-Out Proof Stem**

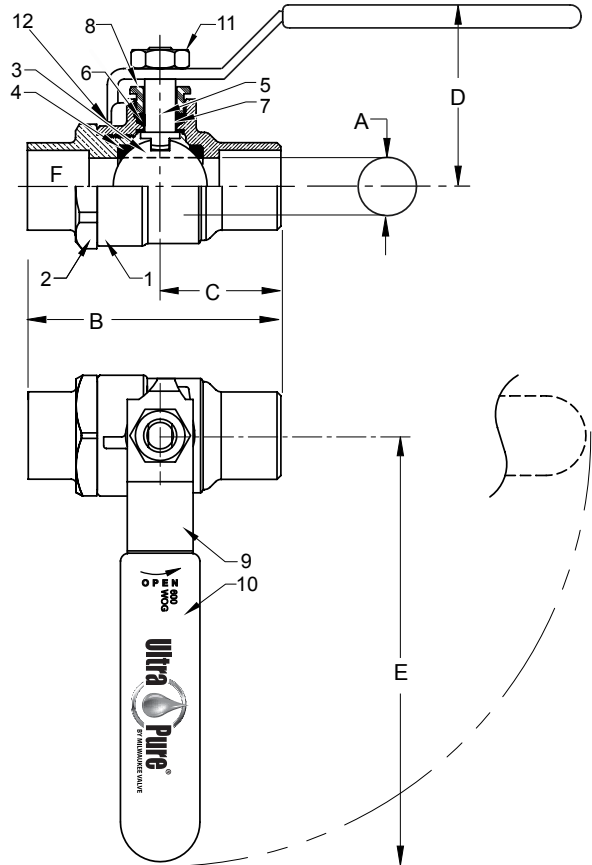
**Dimensions and Workmanship Conform to MSS SP-110**

## MATERIAL LIST

ITEM	PART	MATERIAL	ASTM SPEC
1	Body	Cast Bronze	B584 C89833
2	Tailpiece	Cast Bronze	B584 C89833
3	Ball	Brass w/Hard Chrome Plating	B283 C27450
		316 Stainless Steel (1)	A276 S31600
4	Seat	RPTFE, 15% Glass filled	
5	Stem	Brass	B21 C46400
		316 Stainless Steel (1)(2)	A276 S31600
6	Thrust Washer	RPTFE, 25% Glass Filled	Commercial
7	Packing	PTFE	Commercial
8	Packing Nut	Brass	B16 C36000
9	Handle	Steel w/Zinc Plating	Commercial
10	Handle Grip	Vinyl	Commercial
11	Handle Nut	Steel w/Zinc Plating	Commercial
12*	Body Seal	PTFE	Commercial

(1) Ball and stem are stainless for UPBA150S

(2) Ball and stem are stainless for 2 1/2" & 3" UPBA150



## DIMENSIONS

	UNITS	3/8" DN10	1/2" DN15	3/4" DN20	1" DN25	1-1/4" DN32	1-1/2" DN40	2" DN50	2-1/2" DN65	3" DN80
A (DIA)	INCHES	0.38	0.50	0.76	0.88	1.06	1.31	1.56	2.00	2.31
	mm	10	13	19	22	27	33	40	51	59
B	INCHES	2.17	2.39	3.17	3.71	4.54	5.00	6.25	7.34	8.16
	mm	55	61	81	91	111	123	153	180	200
C	INCHES	0.90	1.07	1.50	1.76	2.27	2.50	3.13	3.67	4.07
	mm	22	26	38	43	56	61	77	90	100
D	INCHES	1.81	1.91	2.08	2.25	2.66	2.84	3.00	3.44	3.90
	mm	44	47	51	55	65	70	74	87	99
E	INCHES	3.81	3.81	4.56	4.56	6.31	6.31	7.19	7.19	7.19
	mm	97	97	116	116	160	160	183	183	183
F	TUBE SIZE Ø	0.51	0.63	0.88	1.13	1.38	1.63	2.13	2.63	3.13
Cv		7	13	35	38	61	87	121	196	231

Note: DN (Diameter Nominal) = Metric equivalent size.

**Note:** Lead free refers to the wetted surface of the pipe, fittings and fixtures in potable water systems that have a weighted average lead content ≤0.25%. Source: California Health and Safety Code (116875).

The information presented on this sheet is correct at time of publication. Milwaukee Valve reserves the right to change design and/or materials without notice. For our Installation, Operation and Maintenance Manual and the most current product information go to [www.milwaukeevalve.com](http://www.milwaukeevalve.com).

⚠ State of California Prop 65 **WARNING:** Cancer and Reproductive Harm. For more information visit [www.p65warnings.ca.gov](http://www.p65warnings.ca.gov).

