



THE FORD METER BOX COMPANY, INC.  
CERTIFIED TO ISO 9001:2015  
10004466

# Section U

09/2017

Web Revision 06/26/2019



# Pipe Restraints and Adapter Flanges

For PVC, Ductile Iron and Steel Pipe



# Contents

	*Ductile Iron	*PVC	*Steel
Numbering System . . . . .			
Uni-Flange® Flange Adapters . . . . .			
Information . . . . .			4 & 5
Specifications . . . . .			6
Series 200 Adapter Flange . . . . .			7
Series 400 Adapter Flange . . . . .			7
Series 420 Extra Heavy Adapter Flange . . . . .			8
Torque Values . . . . .			9
Deflection and Thrust Charts . . . . .			10
Series UFA900 Adapter Flange . . . . .			11 & 12
Restrained Flange Adapters - RFAD / RFAP . . . . .			13 & 14
Restrained Couplings - RCDD / RCDP / RCPP . . . . .			15 & 16
UFR1300 Restraint Device . . . . .			17 & 18
Specifications . . . . .			17
UFR1300-CA (Packaged with Accessories) . . . . .			18
UFR1300-SA (Packaged with Accessories) . . . . .			18
UFR1300-CAS Mechanical Joint Repair Kit . . . . .			31
UFR1300-SAS Mechanical Joint Repair Kit . . . . .			31
UFR1300 for Ductile Iron Pipe . . . . .			32
UFR1300-P Restraint Device for Sewer Pipe . . . . .			19
UFR1350 Bell Joint Restraint Device . . . . .			20 & 21
Specifications . . . . .			20
UFR1355 Restraint Device for PVC Pipe Bell Joints . . . . .			22
UFR1360 Pressure Fitting Restraint Device . . . . .			23 & 24
Specifications . . . . .			23
UFR1369 Restraint for C909 PVC to PVC Pressure Fittings . . . . .			23
UFR1390 Bell Joint Restraint Device . . . . .			25 & 26
Specifications . . . . .			25
UFR1390 for Ductile Iron Pipe . . . . .			32
UFR1390-P Restraint Device for Sewer Pipe Bell Joints . . . . .			27
Uni-Flange® Pipe Restraints for C909 . . . . .			28 & 29
UFR 1309 Restraint Device for Mechanical Joint . . . . .			28
UFR 1399 Restraint Device for Pipe Bell Joint . . . . .			29
UFR 1559 MJ Retaining Gland Joint Restraint . . . . .			30
Uni-Flange® System of Restrained Casing Spacers . . . . .			33-39
Information . . . . .			33
Specifications . . . . .			34
How to Order Restraint Casing Spacers . . . . .			35-38
Installation Recommendations . . . . .			39
UFR1400 Wedge Action MJ Retainer Gland . . . . .			40-43
Information . . . . .			41 & 42
Specifications . . . . .			43
UFR1400-ZA Wedge Action MJ Retainer Gland with SO-EZ Gasket . . . . .			44
UFR1405 Split MJ Retainer Gland Joint . . . . .			45
UFR1450 Bell Joint Restraint . . . . .			46
Information . . . . .			46
Specifications . . . . .			47
UFR1455 Joint Restraint with Split Back-up Ring . . . . .			48
UFR1490 Split Joint Restraint with Split Back-up Ring . . . . .			49
UFR1495 Mid-Span Split Restraint . . . . .			50
UFR2800 Restraints for High Pressure Applications on Ductile Iron . . . . .			51
UFR2850 Bell Joint Restraints for High Pressure Applications . . . . .			52
on Ductile Iron . . . . .			53
UFR1500 MJ Retainer Gland . . . . .			53-58
Specifications . . . . .			53
Information . . . . .			54
UFR1500 MJ Retainer Gland Joint Restraint . . . . .			55
UFR1500-CA (Packaged with MJ Gasket Kit) . . . . .			56
UFR1500-SA (Packaged with Transition Gasket) . . . . .			57
UFR1500-ZA (Packaged with SO-EZ Gasket Kit) . . . . .			58
SO-EZ Gasket . . . . .			59
TGA Transition Gasket - 14" through 24" . . . . .			60
M11 Joint Harness Restraints . . . . .			61
Model B Set Screw Retainer Gland . . . . .			62 & 63
Specifications . . . . .			63
Stainless Steel Inserts for HDPE Pipe . . . . .			64
Types of Thrust Restraint . . . . .			65
OD Chart . . . . .			66
Warranty . . . . .			(back cover) 68

**Note:** Consult pipe manufacturer for specific installation requirements.

\* See catalog listing for specific application information

# Uni-Flange® Pipe Restraint and Adapter Flange Numbering System

## PRODUCT TYPE

- RFAP** = Restrained Flange Adapter for C905 PVC, C900, C909, DR35, IPS PVC and Steel Pipe
- RFAD** = Restrained Flange Adapter for Ductile Iron Pipe
- RCDD** = Restrained Coupling for Ductile Iron Pipe
- RCDP** = Restrained Coupling for Joining Ductile Iron Pipe to C905 PVC, C900 PVC, IPS PVC, Steel, C909 or SDR35 pipe
- RCPP** = Restrained Coupling for C905 PVC, C900, IPS PVC, Steel, C909 and SDR35 Sewer Pipe
- UFA200** = Adapter Flange for Steel and Ductile Iron Pipe
- UFA400** = Higher Pressure Adapter Flange for Steel and Ductile Iron Pipe
- UFA420** = Extra Heavy Adapter Flange
- UFA900** = Adapter Flange for PVC Pipe
- UFR1300** = Restraint Device for PVC Pipe and MJ/Push-on Fittings
- UFR1300-P** = Restraint Device for Sewer Pipe
- UFR1309** = Restraint Device for C900 and C909 PVC and MJ/Push-on Fittings
- UFR1350** = Restraint Device for PVC Pipe Bell Joints
- UFR1355** = Restraint Device for PVC Pipe Bell Joints for Ductile Iron Pipe O.D.
- UFR1360** = Restraint Device for PVC Pressure Fittings
- UFR1390** = Restraint Device for PVC Pipe Bell Joints
- UFR1390-P** = Restraint Device for Sewer Pipe Bell Joints
- UFR1399** = Restraint Device for C900 and C909 Pipe Bell Joints
- UFR1400** = Wedge Action Retainer Gland Joint Restraint for Ductile Iron Pipe
- UFR1450** = Bell Joint Restraint for Ductile Iron
- UFR1405** = Split MJ Retainer Gland Joint Restraint for Ductile Iron
- UFR1455** = Joint Restraint with Split Backup Ring for Ductile Iron
- UFR1490** = Split Joint Restraint with Split Backup Ring for Ductile Iron
- UFR1495** = Mid-Span Split Restraint
- UFR2800** = Restraints for High Pressure Applications on Ductile Iron
- UFR2850** = Bell Joint Restraints for High Pressure Applications on Ductile Iron
- UFR1500** = Retainer Gland Joint Restraint for C900 and C909 PVC Pipe
- UFR1500R** = Rapid Install MJ Restraint for PVC Pipe
- UFR1559** = Retainer Gland Joint Restraint for C909 PVC Pipe Bell Joints
- UFRCS1300-P** = Casing Spacer for Support of Sewer Pipe Barrel
- UFRCS1300** = Casing Spacer for Support of Pipe Barrel
- UFRCS1390** = Casing Spacer for Support/Restraint of Pipe Bell Joints
- UFRCS1390-P** = Casing Spacer for Support of Sewer Pipe Barrel

- C** = C900/C905 PVC
- D** = Ductile Iron Pipe
- S** = Steel Size (IPS)  
PVC Pipe (steel pipe for UFA200/400/420 only)
- Z** = SO-EZ

## OPTIONS

- XL** = Extra Large Diameter for Class C and D Gray Cast Iron Pipe (4" - 12" UFR1400 only)
- X** = 304 Stainless Steel Hardware
- Q** = 316 Stainless Steel Hardware
- RB** = Blue Fluorocarbon Coated Hardware

**UFR1400 - DA - 12 - XL**

**A** = Optional MJ Accessory Pack (T-bolts and gasket, also includes MJ gland with UFR1300)

Nominal Pipe Size

Note: See catalog listings to ensure desired sizes, styles, options and pipe applications are available.

# Uni-Flange® Set Screw Retainer Glands Numbering System

## PRODUCT TYPE

- RGBS** = Model B Retainer Gland
- RGBAS** = Model B Retainer Gland with MJ Accessories

Nominal Pipe Size

**RGBS - 3**

Note: See catalog listings to ensure desired sizes, styles, options and pipe applications are available.

# Information - Uni-Flange® Adapter Flange

## Features of the 200, 400, 420 and 900 Series Uni-Flange® Adapters

- **Job Site Fabrication Using Plain End Pipe**

Uni-Flange® eliminates the problems of pre-engineered, pre-fabricated piping systems. Pipe fabrication can be performed on-site by using plain-end pipe (Figure 1), a pipe cutter and a wrench. No threading, welding, or grooving is necessary. Uni-Flange® eliminates the need to rely on off-site fabricators and machine shops. It is ideal for projects that involve retro-fitting or renovation of existing piping systems. Uni-Flange® keeps the project moving... DOWNTIME SAVINGS are considerable.

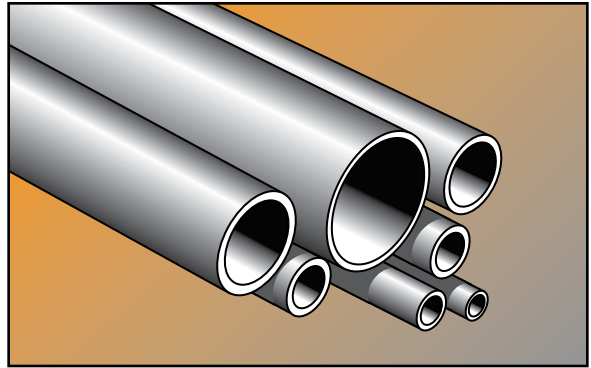


Figure 1

- **Eliminates Bolt Hole Alignment Problems**

Uni-Flange® Adapters can be freely rotated (see Figure 2) before the flange bolts are inserted and tightened. This facilitates bolt hole alignment with the facing flange. Pre-fabricated piping systems do not offer this installation advantage.

- **Permits Pipe Deflection**

Unlike conventional threaded or welded flanges, Uni-Flange® will permit pipe deflection during installation (see Figure 3). This means the Uni-Flange® can “make the connection” when other methods cannot. See Deflection Chart on page U-10.

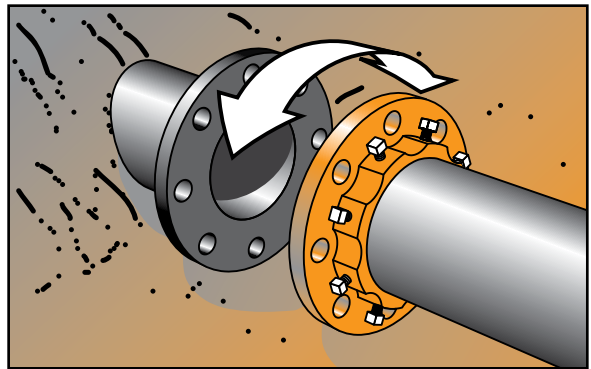


Figure 2

- **Built-In End Restraint**

Uni-Flange® offers built-in end restraint. No tie rods or other forms of anchoring are necessary within normal working pressures. Special considerations may be necessary for surges.

- **Future Maintenance Capabilities**

When future maintenance is required on flanged equipment such as meters or valves, Uni-Flange® can be easily disassembled and moved back on the pipe. This facilitates removal of the flanged equipment. When the equipment is to be replaced, simply drop it in and reinstall the Uni-Flange®. Threaded and welded flanges do not offer this feature.

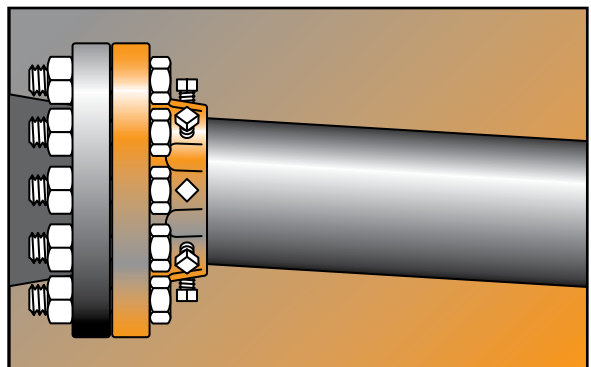


Figure 3

- **Series 200 and 400  
UL Listed**

The Uni-Flange® carries UL's listing for installation on steel or ductile iron pipes in both below and above ground systems (contact factory for details). Uni-Flange® offers significant safety factors at its full rated pressure.

# Uni-Flange® Adapter Flange Questions and Answers

- **Will the set screws damage the pipe?**

The principle of set screws for pipe restraint is not a new idea. Developed nearly 70 years ago and used on hundreds of thousands of connections, this pipe restraint method has proven to be effective. Due to the high strength of ductile iron and steel pipe, damage is highly unlikely if appropriate torque is applied to the set screws. Refer to technical data on page U-9 for required torque.

- **Can Uni-Flange® be used face to face?**

Yes, a metal ring or spacer must be placed between the flanges. These are available from the factory.

- **Will the set screws back-out or loosen with continual use?**

When the set screw is originally tightened, it creates a pocket in the pipe. Even if the screw loosens slightly, it will remain inside this pocket and continue to restrain the flange.

- **Will the set screws hold on a high vibration connection like a pump?**

In practice, no problems have been reported under these conditions, but for added security we recommend the following:

- A. Wiring of set screws to prevent loosening
- B. Apply 'Loc-Tite' to the set screws after they are tightened

- **Will the Uni-Flange® with set screws work effectively on PVC pipe?**

It is not recommended. Over a period of time the set screws can cause pipe failure.

We recommend the Uni-Flange® Series 900 or RFAP Restrained Flange Adapter, specially designed for PVC pipe.

- **Can the Uni-Flange® Adapter Flange Series be used in underground and above ground installations?**

Yes. The Uni-Flange® Adapter Flange is approved for both above and below ground applications.

- **How exact is the cutting tolerance? How far off can the length of pipe be?**

The pipe should not exceed 1/4 inch away from the mating flange. This cutting tolerance is a vast improvement over rigid, screwed or welded flanges. See Deflection Chart on page U-10. For even greater allowance, see our RFA Series.

- **Can Uni-Flange® be used on steam or gas?**

It is not recommended for prolonged use on steam due to temperature. However, it is excellent for gas when supplied with a Buna-N gasket. (Available upon request.)

- **Can Uni-Flange® be used on temperature applications?**

Yes. Our various gaskets will handle most temperature ranges. Refer to technical data for gasket availability.

- **Will abrasive materials in the piping system damage the Uni-Flange® Adapter Flange Series?**

No. Because only a small fraction of the gasket and none of the flange contacts the media, exposure to abrasive materials is extremely limited.

- **What about expansion/contraction?**

In common with other rigid systems, Uni-Flange® does not allow for pipe expansion or contraction.

See Catalog Section N for Ford Expansion Joints (FEJ).

# Specifications - Uni-Flange® Adapter Flanges

## Features of the 200, 400 and 420 Series Uni-Flange® Adapters

The design of the Uni-Flange® Adapter is really quite simple. We took the best features of three different products and combined them into one fitting.

The FLANGE is made of ductile iron; tougher and stronger than the conventional gray iron threaded flange. Impact resistant, the flange also resists breakage when bolts are over-tightened.

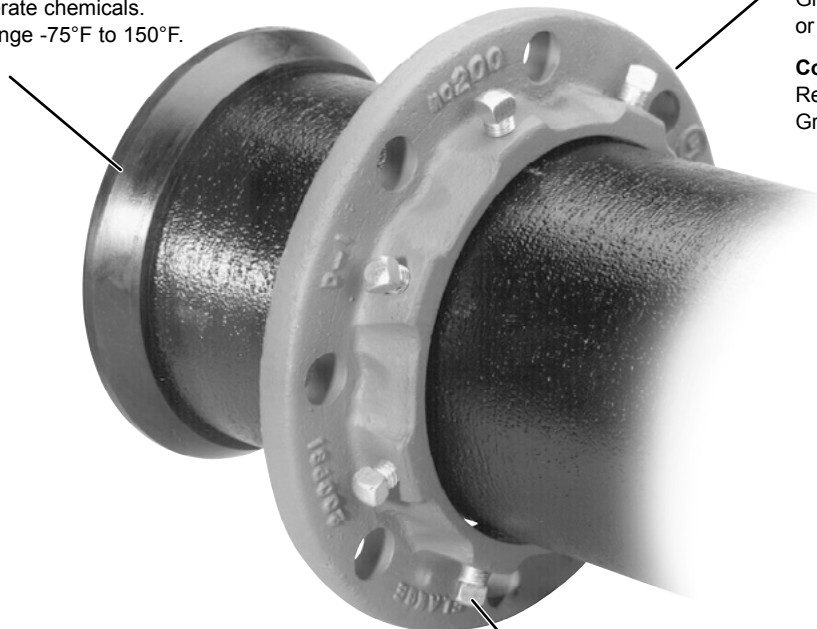
The GASKET is SBR (Buna-S).

The RESTRAINT is provided by a set screw locking device similar to that used in mechanical joint retainer glands. This principle has been in use throughout the world in lieu of concrete thrust blocks and other restraining devices.

**Gasket** - SBR (Buna-S) supplied with the Uni-Flange® Adapter Flange. Suitable for water and wastewater, and most moderate chemicals. Temperature range -75°F to 150°F.

**Flange** - Ductile iron per ASTM A536, Grade 65-45-12. Drilling to ANSI B16.1 or ANSI B16.5.

**Color Code:**  
Red for ductile iron applications  
Gray for steel applications



### Gasket Options

**EPDM** (Ethylene Propylene) - Suitable for -75°F to 300°F.

**NBR** (Buna-N) - Suitable for -40°F to 220°F.

**Set Screw** - AISI 4140 Steel. Heat treated to 35-39 Rockwell C and zinc plated for corrosion resistance.

Options: Uni-Torque set screws see page U-8  
Type 410 Stainless Steel heat treated to 35-40 Rockwell C.

### Hydrostatic Test Pressures

The Uni-Flange® Adapter Flange Series is capable of withstanding the following hydrostatic test pressures without leakage: (Note: For hydrostatic seal only, not applicable to thrust restraint)

#### Series 200 - 125 lb. / 150 lb. Drilling

2 inch - 8 inch: 600 PSI  
10 inch - 12 inch: 525 PSI

#### Series 400 - 125 lb. / 150 lb. Drilling

2 inch - 12 inch: 750 PSI  
14 inch - 24 inch: 300 PSI  
30 inch - 48 inch: 150 PSI

#### Series 420 - 250 lb. / 300 lb. Drilling

2 inch - 12 inch: 800 PSI

### Recommended Water Working Pressure

The Uni-Flange® Adapter Flange Series is designed to handle the following water working pressures at a temperature of -20°F to 150°F.

#### Series 200 - 125 lb. / 150 lb. Drilling

2 inch - 8 inch: 200 PSI  
10 inch - 12 inch: 175 PSI

#### Series 400 - 125 lb. / 150 lb. Drilling

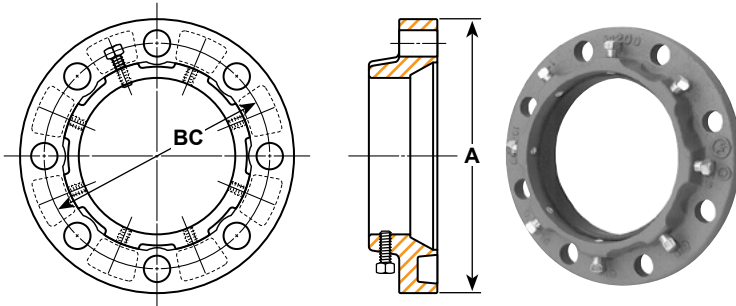
2 inch - 12 inch: 250 PSI  
14 inch - 24 inch: 150 PSI  
30 inch - 48 inch: 100 PSI

#### Series 420 - 250 lb. / 300 lb. Drilling

2 inch - 12 inch: 400 PSI

**Flange Drilling:** 125 lb., ANSI B16.1 for class 125 cast iron flanges  
150 lb., ANSI B16.5, AWWA C207 class D & E steel flanges  
250 lb., ANSI B16.1 for class 250 cast iron flanges  
300 lb., ANSI B16.5, AWWA C207 class F steel flanges

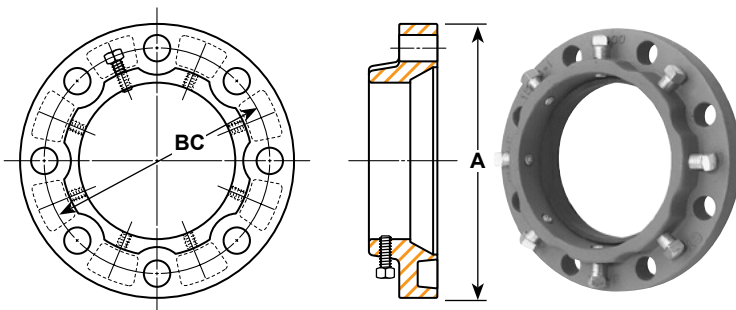
# Uni-Flange® Adapter Flanges



## Series 200 Adapter Flange for Steel and Ductile Iron Pipe Flange Drilling ANSI B16.1 125 lb. / ANSI B16.5 150 lb.

(MATCHES CLASS D FLANGE)  
Working Pressure - 2" Through 8" **200 PSI**  
10" Through 12" **175 PSI**

NOM PIPE SIZE	STEEL PIPE		DUCTILE IRON PIPE		APPROX. WT. LBS.	DIMENSIONS				
	O.D. (INCHES)	CATALOG NUMBER	O.D. (INCHES)	CATALOG NUMBER		A	BC	BOLT HOLE DIA.	SET SCREWS	
									No.	SIZE
2"	2.38	UFA200-S-2	2.50	UFA200-C-2	4.2	6"	4-3/4"	3/4"	4	1/2"x1"
2-1/2"	2.88	UFA200-S-25	-	-	6.0	7"	5-1/2"	3/4"	4	1/2"x1"
3"	3.50	UFA200-S-3	3.96	UFA200-C-3	6.5	7-1/2"	6"	3/4"	4	1/2"x1"
4"	4.50	UFA200-S-4	4.80	UFA200-C-4	8.0	9"	7-1/2"	3/4"	8	1/2"x1"
5"	5.56	UFA200-S-5	-	-	10.5	10"	8-1/2"	7/8"	8	1/2"x1"
6"	6.63	UFA200-S-6	6.90	UFA200-C-6	11.0	11"	9-1/2"	7/8"	8	1/2"x1"
8"	8.63	UFA200-S-8	9.05	UFA200-C-8	19.0	13-1/2"	11-3/4"	7/8"	8	5/8"x1-1/4"
10"	10.75	UFA200-S-10	11.10	UFA200-C-10	28.0	16"	14-1/4"	1"	12	5/8"x1-1/4"
12"	-	-	13.20	UFA200-C-12	33.2	19"	17"	1"	12	5/8"x1-1/4"



## Series 400 Adapter Flange for Steel and Ductile Iron Pipe Flange Drilling ANSI B16.1 125 lb. / ANSI B16.5 150 lb.

(MATCHES CLASS D AND E FLANGES)  
Working Pressure - 2" Through 12" **250 PSI**  
14" Through 24" **150 PSI** / 30" Through 48" **100 PSI**

NOM. PIPE SIZE	STEEL PIPE		DUCTILE IRON PIPE		APPROX. WT. LBS.	DIMENSIONS				
	O.D. (INCHES)	CATALOG NUMBER	O.D. (INCHES)	CATALOG NUMBER		A	BC	BOLT HOLE DIA.	SET SCREWS	
									No.	SIZE
2"	2.38	UFA400-S-2	-	-	5.0	6"	4-3/4"	3/4"	4	1/2"x1"
2-1/2"	2.88	UFA400-S-25	-	-	7.0	7"	5-1/2"	3/4"	4	1/2"x1"
3"	3.50	UFA400-S-3	3.96	UFA400-C-3	8.0	7-1/2"	6"	3/4"	4	1/2"x1"
4"	4.50	UFA400-S-4	4.80	UFA400-C-4	11.0	9"	7-1/2"	3/4"	8	1/2"x1"
5"	5.56	UFA400-S-5	-	-	13.0	10"	8-1/2"	7/8"	8	5/8"x1-1/4"
6"	6.63	UFA400-S-6	6.90	UFA400-C-6	14.0	11"	9-1/2"	7/8"	8	5/8"x1-1/4"
8"	8.63	UFA400-S-8	9.05	UFA400-C-8	21.0	13-1/2"	11-3/4"	7/8"	8	5/8"x1-1/4"
10"	10.75	UFA400-S-10	11.10	UFA400-C-10	38.0	16"	14-1/4"	1"	12	5/8"x1-1/4"
12"	12.75	UFA400-S-12	13.20	UFA400-C-12	56.0	19"	17"	1"	12	5/8"x1-1/4"
14"	14.00	UFA400-S-14	15.30	UFA400-C-14	70.0	21"	18-3/4"	1-1/8"	12	5/8"x1-1/4"
16"	16.00	UFA400-S-16	17.40	UFA400-C-16	79.0	23-1/2"	21-1/4"	1-1/8"	16	5/8"x1-1/4"
18"	18.00	UFA400-S-18	19.50	UFA400-C-18	90.0	25"	22-3/4"	1-1/4"	16	3/4"x2"
20"	20.00	UFA400-S-20	21.60	UFA400-C-20	145.0	27-1/2"	25"	1-1/4"	20	3/4"x2"
24"	24.00	UFA400-S-24	25.80	UFA400-C-24	175.0	32"	29-1/2"	1-3/8"	20	3/4"x2"
30"	30.00	UFA400-S-30	32.00	UFA400-C-30	270.0	38-3/4"	36"	1-3/8"	28	1"x2-1/4"
36"	36.00	UFA400-S-36	38.30	UFA400-C-36	400.0	46"	42-3/4"	1-5/8"	32	1"x2-1/4"
42"	42.00	UFA400-S-42	44.50	UFA400-C-42	495.0	53"	49-1/2"	1-5/8"	36	1"x2-1/4"
48"	48.00	UFA400-S-48	50.80	UFA400-C-48	660.0	59-1/2"	56"	1-5/8"	44	1"x2-1/4"

**Options:** To order with \*Uni-Torque set screws add "-UT" to the catalog number. Example: UFA200-S-2-UT or UFA400-S-4-UT  
To order with \*Uni-Torque set screws and EPDM gasket add "-UT-EPDM" to the catalog number.  
Example: UFA200-S-2-UT-EPDM or UFA400-S-4-UT-EPDM  
To order with stainless steel set screws in sizes 2"-16" add "-SS" to the catalog number. Example UFA200-S-2-SS or UFA400-S-4-SS.

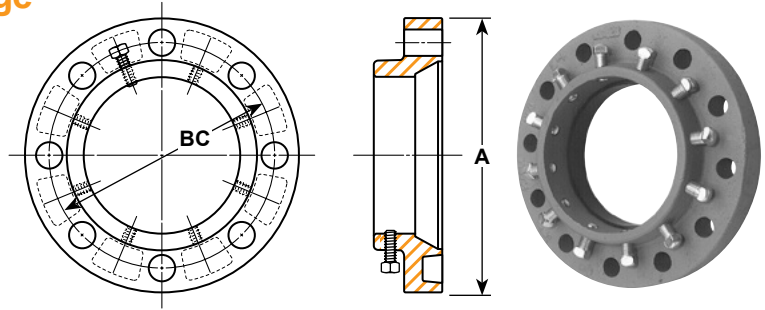
\* **Caution:** Uni-Torque set screws should not be used on steel pipe thinner than schedule 40 or ductile iron pipe thinner than class 52.

# Uni-Flange® Adapter Flanges

## Series 420 Extra Heavy Adapter Flange for Steel and Ductile Iron Pipe Flange Drilling ANSI B16.1 250 lb. / ANSI B16.5 300 lb.

(MATCHES CLASS F FLANGE)

Working Pressure - 2" Through 12" 400 PSI



NOM. PIPE SIZE	STEEL PIPE		DUCTILE IRON PIPE		APPROX. WT. LBS.	DIMENSIONS				
	O.D. (INCHES)	CATALOG NUMBER	O.D. (INCHES)	CATALOG NUMBER		A	BC	BOLT HOLE DIA.	SET SCREWS	
									No.	SIZE
2"	2.38	UFA420-S-2	2.50	UFA420-C-2	9.0	6-1/2"	5"	3/4"	8	1/2" x 1"
3"	3.50	UFA420-S-3	3.96	UFA420-C-3	13.0	8-1/4"	6-5/8"	7/8"	8	1/2" x 1"
4"	4.50	UFA420-S-4	4.80	UFA420-C-4	21.0	10"	7-7/8"	7/8"	8	♦
5"	5.56	UFA420-S-5	-	-	25.0	11"	9-1/4"	7/8"	8	5/8" x 1-1/4"
6"	6.63	UFA420-S-6	6.90	UFA420-C-6	33.0	12-1/2"	10-5/8"	7/8"	12	5/8" x 1-1/4"
8"	8.63	UFA420-S-8	9.05	UFA420-C-8	49.0	15"	13"	1"	12	5/8" x 1-1/4"
10"	10.75	UFA420-S-10	11.10	UFA420-C-10	74.0	17-1/2"	15-1/4"	1-1/8"	16	5/8" x 1-1/4"
12"	12.75	UFA420-S-12	13.20	UFA420-C-12	95.0	20-1/2"	17-3/4"	1-1/4"	16	5/8" x 1-1/4"

♦ Contact factory for details.

**Options:** To order with \*Uni-Torque set screws add "-UT" to the catalog number. Example: UFA420-S-2-UT

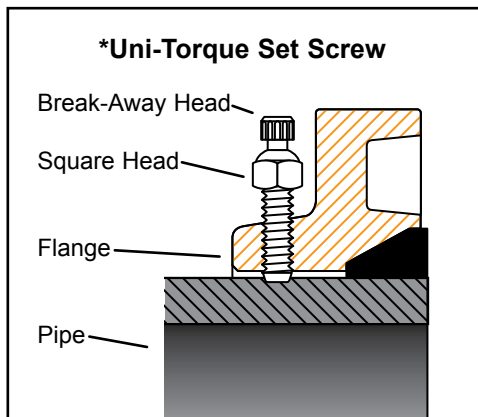
To order with \*Uni-Torque set screws and EPDM gasket add "-UT-EPDM" to the catalog number.

Example: UFA420-S-2-UT-EPDM

To order with stainless steel set screws, add "-SS" to the catalog number. Example UFA420-S-2-SS

\* **Caution:** Uni-Torque set screws should not be used on steel pipe thinner than schedule 40 or ductile iron pipe thinner than class 52.

## \*Optional Uni-Torque Set Screws



Optional Uni-Torque Set Screws are available for use with Uni-Flange® Adapters, 2" through 16" nominal pipe sizes with the pipe thickness shown in the table below. These set screws feature a "break-away head" that shears at the recommended torque for the recommended pipe (see table below), leaving a square head that can be used if future removal of the flange is required. To order an adapter flange with Uni-Torque set screws add "-UT" to the catalog number. Example: UFA200-S-2-UT.

UNI-TORQUE SET SCREW SIZE	PRE-SET TORQUE VALUE	*RECOMMENDED PIPE THICKNESS
1/2"x1"	65 ft-lb ± 7	Ductile Iron, Class 52-56 Steel, Schedule 40 and up
5/8"x2"	87 ft-lb ± 7	Ductile Iron, Class 52-56, Steel, Schedule 40 and up

Note: 1/2" x 1" Uni-Torque Set Screws require a 3/8", 12 point, deep well socket. 5/8" x 2" Uni-Torque Set Screws require a 7/16", 12 point, deep well socket.

\* **Caution:** Uni-Torque set screws should not be used on steel pipe thinner than schedule 40 or ductile iron pipe thinner than class 52.



# Recommended Set Screw Torque Values Series 200 / 400 / 420

## Series 200 Adapter Flange

FLANGE SIZE	SET SCREW SIZE	RECOMMENDED SET SCREW TORQUE VALUES (FT. LBS.)												
		DUCTILE IRON PIPE (CLASS)				STEEL PIPE (SCHEDULE)				DUCTILE IRON PIPE (PRESSURE CLASS)				
		50	51	52	53+	10	20	30	40+	150	200	250	300	350
2"	1/2"x1"	-	-	70	70	30	-	-	35	-	-	-	-	-
2-1/2"	1/2"x1"	-	-	-	-	30	-	-	35	-	-	-	-	-
3"	1/2"x1"	-	50	70	70	30	-	-	70	-	-	-	-	50
4"	1/2"x1"	-	50	70	70	30	-	-	70	-	-	-	-	50
5"	1/2"x1"	-	-	-	-	30	-	-	70	-	-	-	-	50
6"	1/2"x1"	50	60	70	70	30	-	-	90	-	-	-	-	50
8"	5/8"x1-1/4"	50	60	90	90	30	50	90	90	-	-	-	-	50
10"	5/8"x1-1/4"	50	60	90	90	40	50	90	90	-	-	-	-	50
12"	5/8"x1-1/4"	50	60	90	90	40	50	90	90	-	-	-	-	50

## Series 400 and 420 Adapter Flanges

FLANGE SIZE	SET SCREW SIZE	RECOMMENDED SET SCREW TORQUE VALUES (FT. LBS.)												
		DUCTILE IRON PIPE (CLASS)				STEEL PIPE (SCHEDULE)				DUCTILE IRON PIPE (PRESSURE CLASS)				
		50	51	52	53+	10	20	30	40+	150	200	250	300	350
2"	1/2"x1"	-	-	70	70	30	-	-	35	-	-	-	-	-
2-1/2"	1/2"x1"	-	-	-	-	30	-	-	35	-	-	-	-	-
3"	1/2"x1"	-	50	70	70	30	-	-	70	-	-	-	-	50
3-1/2"	1/2"x1"	-	-	-	-	30	-	-	70	-	-	-	-	50
4"	1/2"x1"	-	50	70	70	30	-	-	70	-	-	-	-	50
5"	1/2"x1"	-	-	-	-	30	-	-	70	-	-	-	-	50
6"	5/8"x1-1/4"	50	60	80	80	30	-	-	90	-	-	-	-	50
8"	5/8"x1-1/4"	50	60	80	80	30	50	90	90	-	-	-	-	50
10"	5/8"x1-1/4"	50	60	80	80	40	50	90	90	-	-	-	-	50
12"	5/8"x1-1/4"	50	60	80	80	40	50	90	90	-	-	-	-	50
14"	5/8"x1-1/4"	60	70	90	90	-	60	90	90	-	-	50	50	60
16"	5/8"x1-1/4"	60	70	90	90	-	60	90	90	-	-	50	60	60
18"	3/4"x2"	70	80	115	115	-	60	100	115	-	-	60	70	70
20"	3/4"x2"	70	80	115	115	-	70	100	115	-	-	70	70	70
24"	3/4"x2"	70	80	115	115	-	70	100	125	-	70	70	70	80
30"	1"x2-1/4"	90	110	125	125	-	-	-	125	70	80	90	110	125
36"	1"x2-1/4"	90	110	125	125	-	-	-	125	80	90	90	110	125
42"	1"x2-1/4"	90	110	125	125	-	-	-	125	90	90	90	110	125
48"	1"x2-1/4"	90	110	125	125	-	-	-	-	90	90	110	110	125

Adapter Flanges are not suitable for use on spiral, butt-welded steel pipe.

# Deflection Chart

## Series 200 / 400 / 420

Uni-Flange® Adapters may be used to join flanged pipes and fittings that are slightly misaligned. They offer the following deflection capabilities at full rated working pressure of the flange. Maximum angles of deflection may require an angular pipe cut to provide sufficient pipe insertion for proper gasket compression.

NOM. PIPE SIZE	DUCTILE IRON PIPE O.D. (IN.)	STEEL PIPE O.D. (IN.)	MAXIMUM ANGLE DEFLECTION	DEFLECTION IN./18 FT. LENGTH (IN.)
2"	2.50	2.375	4° - 2'	15.23
2-1/2"	N/A	2.875	3° - 56'	14.85
3"	3.96	3.500	3° - 50'	14.47
3-1/2"	N/A	4.000	3° - 47'	14.28
4"	4.80	4.500	3° - 44'	14.09
5"	N/A	5.563	3° - 41'	13.91
6"	6.90	6.625	3° - 36'	13.59
8"	9.05	8.625	3° - 20'	12.58
10"	11.10	10.750	3° - 13'	12.14
12"	13.20	12.750	2° - 35'	9.12
14"	15.30	14.000	2° - 20'	8.80
16"	17.40	16.000	2° - 5'	7.86
18"	19.50	18.000	2° - 0'	7.54
20"	21.60	20.000	1° - 56'	7.29
24"	25.80	24.000	1° - 37'	6.10
30"	32.00	30.000	1° - 35'	5.97
36"	38.30	36.000	1° - 23'	5.22
42"	44.50	42.000	1° - 11'	4.46
48"	50.80	48.000	1° - 2'	3.89

## Thrust Restraint

The Uni-Flange® Adapter Series offers the following thrust restraint capabilities.

NOM. PIPE SIZE	SERIES 200		SERIES 400		SERIES 420	
	WWP RATING (PSI)	THRUST AT RATED PRESSURE (LBS.)	WWP RATING (PSI)	THRUST AT RATED PRESSURE (LBS.)	WWP RATING (PSI)	THRUST AT RATED PRESSURE (LBS.)
2"	200	892	250	1,115	400	1,784
3"	200	1,922	250	2,403	400	3,844
4"	200	3,181	250	3,975	400	6,360
6"	200	6,924	250	8,655	400	13,848
8"	200	11,724	250	14,655	400	23,448
10"	175	15,911	250	22,730	400	36,368
12"	175	22,375	250	31,965	400	51,144
14"	-	-	150	23,091	-	-
16"	-	-	150	30,159	-	-
18"	-	-	150	38,170	-	-
20"	-	-	150	47,124	-	-
24"	-	-	150	67,858	-	-
30"	-	-	100	70,686	-	-
36"	-	-	100	101,790	-	-
42"	-	-	100	138,540	-	-
48"	-	-	100	180,956	-	-

These values are calculated using steel pipe outside diameter dimensions.

# Specifications - Uni-Flange® Series 900 Adapter Flange

## Features of the 900-C and the 900-S Series Adapter Flange for PVC Pipe

The Series 900 Adapter Flange joins plain-end PVC pipe to valves, pumps, meters and virtually all types of liquid and process equipment. The flange provides a power-tight, rigid flanged connection; it eliminates solvent welding, tie rodding, harnessing and other forms of restraint. The 900 Adapter Flange also facilitates maintenance of flanged systems and equipment - simply loosen the bolts and remove the flange.

The 900 Adapter Flange provides positive end restraint with a series of serrations on the inside of the flange. When the two flange halves are brought together by tightening the clamping bolts, these serrations lock the flange onto the pipe. The exclusive dual seal gasket is then added (no other gasket is necessary). Tightening the flange bolts compresses the gasket against the facing flange and down onto the pipe surface, providing a leak-proof seal.

**Series 900** - Material: Ductile Iron  
ASTM A536, Grade 65-45-12

**Color Code:**  
Red for PVC with ductile iron pipe O.D.  
Gray for PVC with steel pipe O.D.

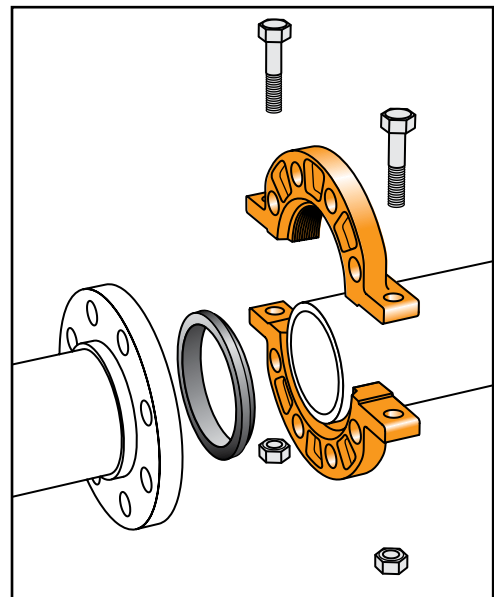
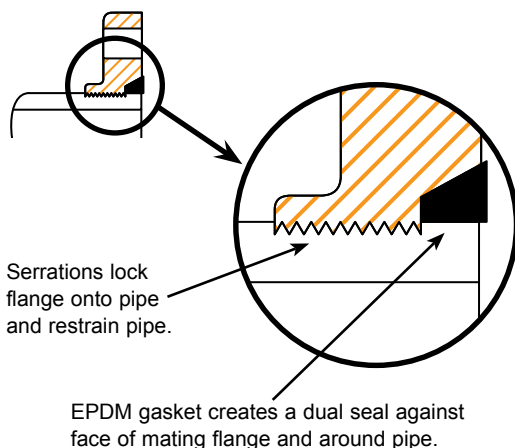
**Clamping Bolts and Nuts**

**Drilling** - ANSI B16.1 - 125 lb. for cast iron flanges.  
ANSI B16.5 - 150 lb. for steel flanges. (AWWA C207 class D).

**Gasket** - EPDM (-65° to 300°F) suitable for water and wastewater, ozone and strong oxidizing chemicals

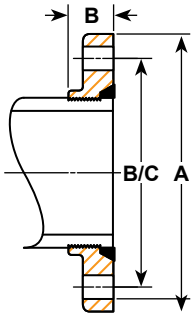
**Series 900 Installed**

### Lock and Seal Features of Series 900 Symmetrical Force Will Not Point Load Pipe



# Uni-Flange® Series 900 Adapter Flange

For PVC Pipe



Series 900 Adapter Flange for PVC Pipe  
 Flange Drilling ANSI B16.1 125 lb. /  
 ANSI B16.5 150 lb.

NOM. PIPE SIZE	PVC PIPE WITH STEEL PIPE OD		PVC PIPE WITH OD. DUCTILE IRON PIPE		APPROX. WT. LBS.	DIMENSIONS			FLANGE BOLTS		CLAMPING BOLTS	
	O.D.	CAT. No.	O.D.	CAT. No.		A	B	BC	No.	BOLT HOLE DIAMETER	No.	SIZE
4"	4.50	UFA900-S-4	4.80	UFA900-C-4	13.0	9	1.50	7.50	8	3/4"	2	5/8"x3"
6"	6.63	UFA900-S-6	6.90	UFA900-C-6	16.0	11	1.56	9.50	8	7/8"	2	5/8"x3"
8"	8.63	UFA900-S-8	9.05	UFA900-C-8	25.0	13.5	1.88	11.75	8	7/8"	2	3/4"x3-1/2"
10"	-	-	11.10	UFA900-C-10	39.0	16	2.00	14.25	12	1"	2	7/8"x5"
12"	-	-	13.20	UFA900-C-12	54.0	19	2.25	17.00	12	1"	2	7/8"x5"

**Note:** Flanges are furnished with EPDM gaskets.  
 All dimensions in inches unless otherwise stated.

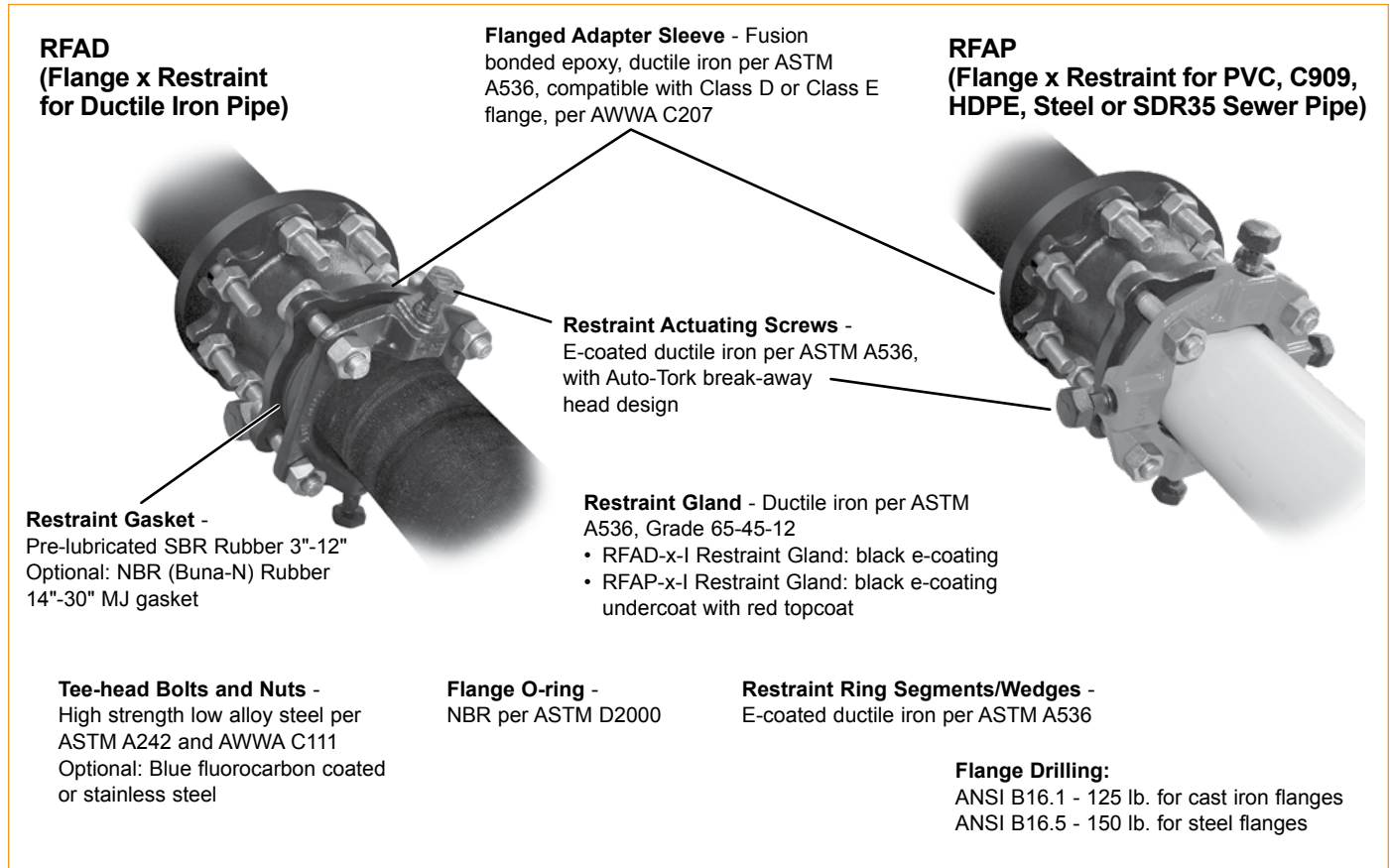
## Series 900 Applications / Pressure Rating

PRODUCT TYPE	NOM. SIZE	PIPE STANDARD	TYPE	PIPE PRESSURE RATING (PSI)	
Series 900-C	4"-12"	AWWA C900	DR14	305	
			DR18	235	
			DR25	165	
Series 900-S	4" 6" 8"	ASTM D2241	SDR21	200	
			SDR26	160	
			SDR32.5	125	
	4" 6" 8"	ASTM 1785	Schedule 40	4"	220
				6"	180
				8"	160
	4" 6" 8"	ASTM 1785	Schedule 80	4"	320
				6"	280
				8"	250

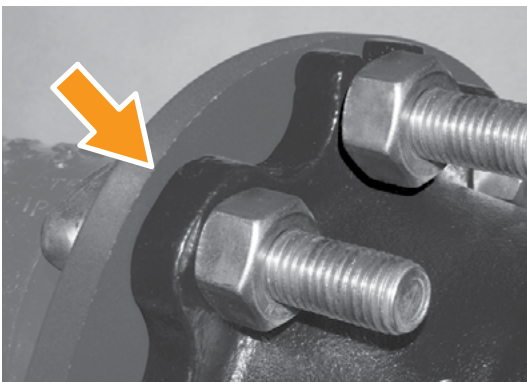
# Specifications - Restrained Flange Adapter

## Flange and Restraint Devices for Ductile Iron, PVC, Steel or \*SDR35 Sewer Pipe

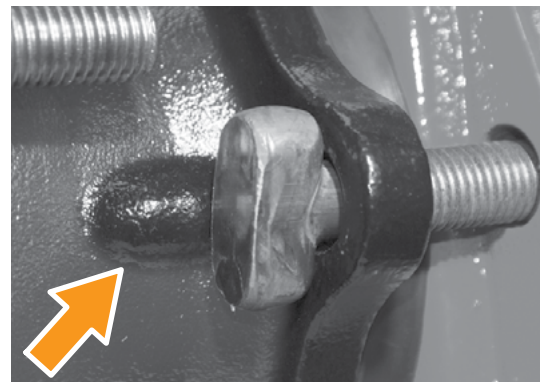
A quick and easy way to convert a plain end pipe to a restrained flange connection. These restrained flange adapters provide a true stab fit with no disassembly required. Designed with the UFR1400 or UFR1500 restraints and the SO-EZ gasket, the 4" - 12" RFAP restrained flange adapter accommodates a wider range within a nominal size pipe than any other.



- 2:1 safety factor at the full rated pressure of the pipe on which it is assembled
- Over 2" of pipe insertion adjustment can allow for uneven pipe cuts and pipe deflection



Flange end has two closed starter lugs. This allows the adapter to remain in position while assembling the other flange bolts.



Bolt stop prevents tee-head bolts from turning during installation.

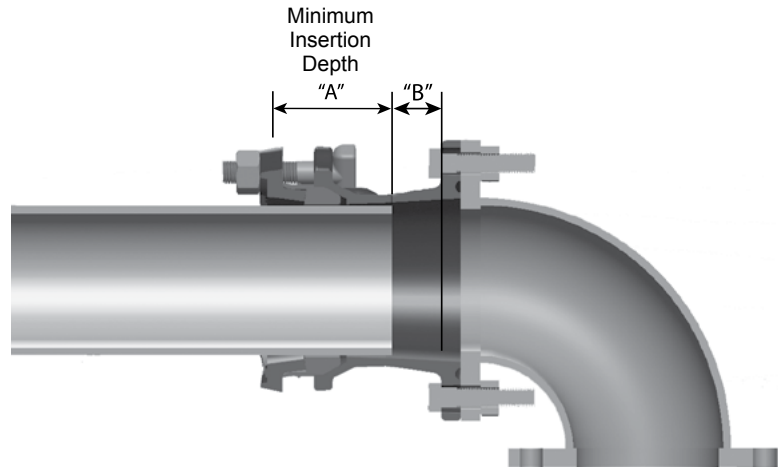
<FM>Approved 4" - 12"



\*SDR35 sewer applications require NBR (Buna-N) gasket, add "-N" to end of catalog number.

# Uni-Flange® Restrained Flange Adapter

Flange and Restraint Devices for Ductile Iron, PVC, Steel or \*SDR35 Sewer Pipe



## RFAD FOR DUCTILE IRON PIPE

NOMINAL PIPE SIZE	CATALOG NUMBER	PIPE O.D.	**DIMENSION "A" MIN. PIPE INSERTION	**DIMENSION "B" PIPE ADJUSTABILITY	MAX. DEFLECTION ALLOWANCE	APPROX. Wt. LBS.
3"	RFAD-3-I	3.96	4-1/2"	2"	5°	19
4"	RFAD-4-I	4.80	4-1/2"	2"	5°	23
6"	RFAD-6-I	6.90	4-5/8"	2-7/8"	5°	32
8"	RFAD-8-I	9.05	4-13/16"	3"	5°	45
10"	RFAD-10-I	11.10	4-3/4"	3-3/8"	3°	61
12"	RFAD-12-I	13.20	4-3/4"	3-5/8"	3°	82

## FABRICATED RFAD FOR DUCTILE IRON PIPE ▲

14"	RFAD-1530-D14R-(I or U)	15.30	4-3/8"	3-3/4"	3°	135
16"	RFAD-1740-D16R-(I or U)	17.40	4-7/16"	3-3/4"	3°	170
18"	RFAD-1950-D18R-(I or U)	19.50	4-1/2"	3-3/4"	3°	185
20"	RFAD-2160-D20R-(I or U)	21.60	4-9/16"	3-3/4"	3°	215
24"	RFAD-2580-D24R-(I or U)	25.80	4-3/4"	3-3/4"	3°	275
30"	RFAD-3200-D30R-(I or U)	32.00	5-7/16"	3-1/2"	1°	550
36"	RFAD-3830-D36R-(I or U)	38.30	5-7/16"	3-1/2"	1°	680

Reducing RFAs available in sizes 14" - 36". Contact factory for details.

## RFAP FOR C900, IPS PVC, STEEL, C909 AND \*SDR35 SEWER PIPE

NOMINAL PIPE SIZE	CATALOG NUMBER	PIPE O.D.	**DIMENSION "A" MIN. PIPE INSERTION	**DIMENSION "B" PIPE ADJUSTABILITY	MAX. DEFLECTION ALLOWANCE	APPROX. Wt. LBS.
3"	RFAP-3-I	3.50	4-5/8"	2"	5°	23
4"	RFAP-4-I	4.21-4.80	4-5/8"	2"	5°	27
6"	RFAP-6-I	6.27-6.90	4-3/4"	2-7/8"	5°	38
8"	RFAP-8-I	8.40-9.05	4-13/16"	3"	5°	50
10"	RFAP-10-I	10.50-11.10	4-7/8"	3-3/8"	3°	65
12"	RFAP-12-I	12.50-13.20	4-7/8"	3-5/8"	3°	85

## FABRICATED RFAP FOR C905 PVC PIPE ▲

14"	RFAP-1530-D14R-(I or U)	15.30	6-1/16"	2-1/8"	3°	150
16"	RFAP-1740-D16R-(I or U)	17.40	6-1/8"	2-1/8"	3°	200
18"	RFAP-1950-D18R-(I or U)	19.50	6-1/8"	2-1/8"	3°	215
20"	RFAP-2160-D20R-(I or U)	21.60	6-3/16"	2-1/8"	3°	250
24"	RFAP-2580-D24R-(I or U)	25.80	6-7/16"	2-1/8"	3°	330
30"	RFAP-3200-D30R-(I or U)	32.00	6-5/8"	2-1/8"	1°	520
36"	RFAP-3830-D36R-(I or U)	38.30	6-3/4"	2-1/8"	1°	650

Reducing RFAs available in sizes 14" - 36". Contact factory for details.

## PRESSURE RATING FOR C900, IPS PVC, C909 AND \*SDR35 SEWER PIPE

C900			ASTM D2241		C909		SDR35
DR25	DR18	DR14	SDR26	SDR21	PC150	PC235	
165 PSI	235 PSI	305 PSI	160 PSI	200 PSI	150 PSI	235 PSI	60 PSI

▲ Fabricated restrained flange adapters with a Class D flange are rated for 150 PSI.

\*\* Not accounting for beveled, unsquared or deflected pipe ends.

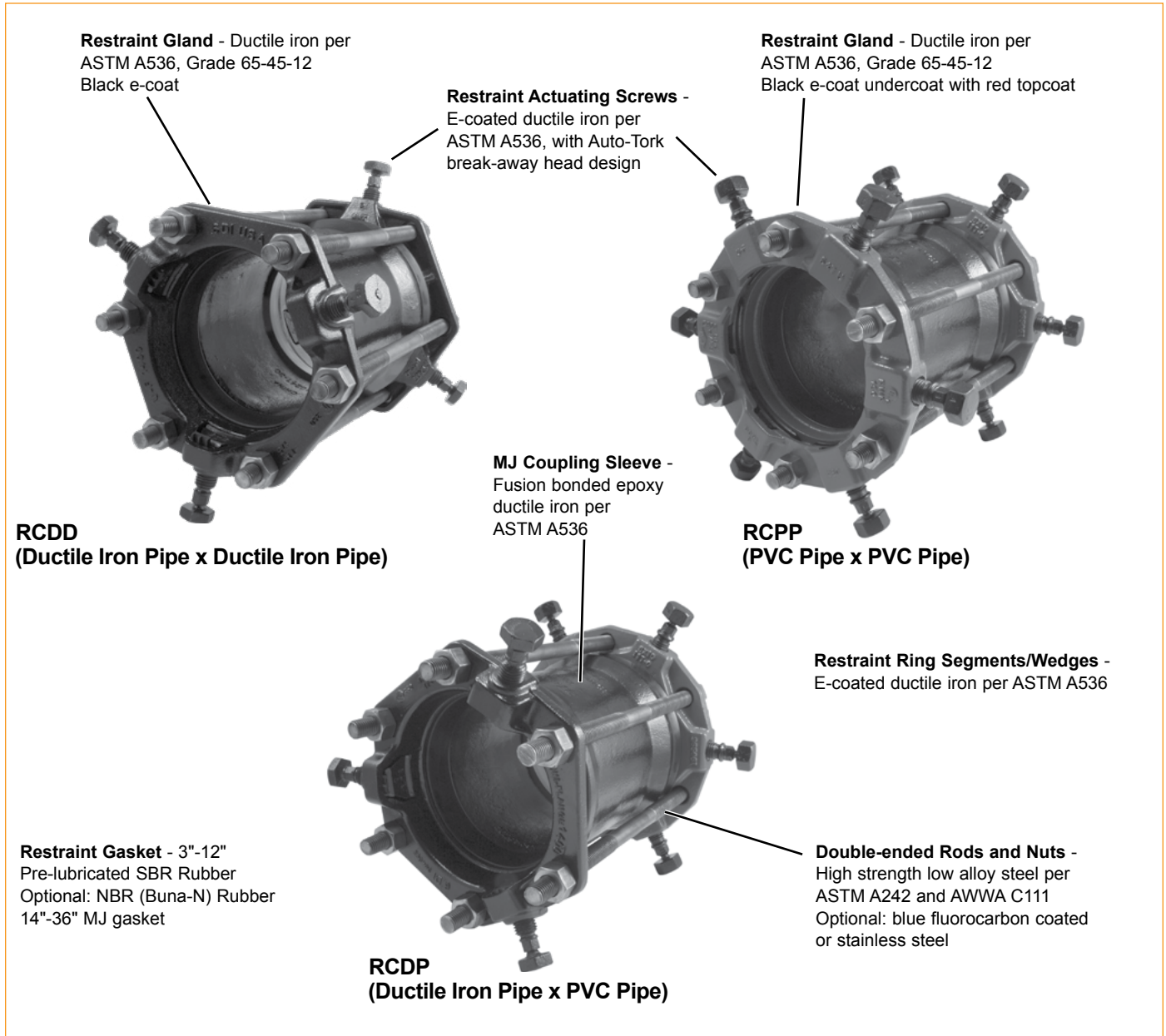
\*SDR35 sewer applications require NBR (Buna-N) gasket, add "-N" to end of catalog number.

I = Import Casting U = Domestic Casting

# Specifications - Restrained Couplings

## Coupling and Restraint Devices for Ductile Iron, PVC, C909, HDPE, Steel or \*SDR35 Sewer Pipe

Restraining your pipe coupling just got SO-EZ using Ford's (stab-fit) restrained coupling. Designed with the UFR1400 or UFR1500 restraints and the SO-EZ gasket, the 4" - 12" RCPP and RCDP restrained couplings accommodate a wider range within a nominal size pipe than any other.



- Sizes 3" - 36"
- Restraint glands epoxy coated
- A true stab fitting in sizes 3"- 12", no disassembly required
- Restrains plain-end pipe to plain-end pipe
- 7-1/2" sleeve in sizes 3"-12", 10" sleeve in sizes 14"-36"
- Corrosion resistant, high strength, low alloy steel rods and nuts
- 2:1 safety factor at the full rated pressure of the pipe on which it is installed

\*SDR35 sewer applications require NBR (Buna-N) gasket, add "-N" to end of catalog number.

# Uni-Flange® Restrained Couplings

Coupling and Restraint Devices for Ductile Iron, PVC, C909, HDPE, Steel or \*SDR35 Sewer Pipe



## RCDD FOR DUCTILE IRON PIPE

NOMINAL PIPE SIZE	CATALOG NUMBER	PIPE O.D.	MAX. DEFLECTION ALLOWANCE	APPROX. WT. LBS.
3"	RCDD-3-I	3.96	5°	27
4"	RCDD-4-I	4.80	5°	34
6"	RCDD-6-I	6.90	5°	48
8"	RCDD-8-I	9.05	5°	61
10"	RCDD-10-I	11.10	5°	84
12"	RCDD-12-I	13.20	5°	101

## FABRICATED RCDD FOR DUCTILE IRON PIPE (MJ GASKETS)

14"	RCDD-14-(I or U)	15.30	3°	173
16"	RCDD-16-(I or U)	17.40	3°	200
18"	RCDD-18-(I or U)	19.50	3°	235
20"	RCDD-20-(I or U)	21.60	3°	265
24"	RCDD-24-(I or U)	25.80	3°	320
30"	RCDD-30-(I or U)	32.00	1°	580
36"	RCDD-36-(I or U)	38.30	1°	660

Transition and reducing couplings available in sizes 14" through 36", contact factory for more information.



## RCPD FOR C900, IPS PVC, STEEL, C909 AND \*SDR35 SEWER PIPE

NOMINAL PIPE SIZE	CATALOG NUMBER	PIPE O.D.	MAX. DEFLECTION ALLOWANCE	APPROX. WT. LBS.
3"	RCPD-3-I	3.50	5°	35
4"	RCPD-4-I	4.21-4.80	5°	41
6"	RCPD-6-I	6.27-6.90	5°	59
8"	RCPD-8-I	8.40-9.05	5°	72
10"	RCPD-10-I	10.50-11.10	5°	94
12"	RCPD-12-I	12.50-13.20	5°	106

## FABRICATED RCPD FOR C905 PVC PIPE

14"	RCPD-14-(I or U)	15.30	3°	185
16"	RCPD-16-(I or U)	17.40	3°	225
18"	RCPD-18-(I or U)	19.50	3°	270
20"	RCPD-20-(I or U)	21.60	3°	310
24"	RCPD-24-(I or U)	25.80	3°	405
30"	RCPD-30-(I or U)	32.00	1°	525
36"	RCPD-36-(I or U)	38.30	1°	630

Transition and reducing couplings available in sizes 14" through 36", contact factory for more information.



## RCDP FOR DUCTILE IRON PIPE BY PVC, STEEL, OR \*SDR35 SEWER PIPE

NOMINAL PIPE SIZE	CATALOG NUMBER	PIPE O.D. FOR DUCTILE IRON PIPE	PIPE O.D. FOR PVC, STEEL OR SDR35 PIPE	MAX. DEFLECTION ALLOWANCE	APPROX. WT. LBS.
3"	RCDP-3-I	3.96	3.50	5°	31
4"	RCDP-4-I	4.80	4.21-4.80	5°	38
6"	RCDP-6-I	6.90	6.27-6.90	5°	55
8"	RCDP-8-I	9.05	8.40-9.05	5°	66
10"	RCDP-10-I	11.10	10.50-11.10	5°	89
12"	RCDP-12-I	13.20	12.50-13.20	5°	103

## FABRICATED RCDP FOR JOINING DUCTILE IRON PIPE TO C905 PIPE

14"	RCDP-14-(I or U)	15.30	15.70	3°	180
16"	RCDP-16-(I or U)	17.40	17.40	3°	215
18"	RCDP-18-(I or U)	19.50	19.50	3°	252
20"	RCDP-20-(I or U)	21.60	21.60	3°	285
24"	RCDP-24-(I or U)	25.80	25.80	3°	360
30"	RCDP-30-(I or U)	32.00	32.00	1°	550
36"	RCDP-36-(I or U)	38.30	38.30	1°	600

Transition and reducing couplings available in sizes 14" through 36", contact factory for more information.

## Pressure Rating for C900, IPS PVC, C909 and \*SDR35 Sewer Pipe

C900		ASTM D2241			C909		SDR35
DR25	DR18	SDR26	SDR21	PC150	PC235		
165 PSI	235 PSI	305 PSI	200 PSI	150 PSI	235 PSI	60 PSI	

I = Import Casting U = Domestic Casting

\*SDR35 sewer applications require NBR (Buna-N) gasket, add "-N" to end of catalog number.



# Specifications - Uni-Flange® Series 1300

## Series 1300 Uni-Flange® Restraint Device for PVC Pipe used with Mechanical Joint and \*Push-on Fittings

A fast, economical method of restraining water main fittings, valves and hydrants used in PVC piping systems, the Uni-Flange® Series 1300 offers guaranteed joint restraint, in every soil condition, every time. As part of a thrust restraint system, it eliminates the need for expensive, time consuming concrete thrust blocks.

The Series 1300 is a split design, incorporating a series of serrations on the inside surface. When the side clamping bolts are tightened, the serrations lock the device onto the pipe surface, providing axial thrust restraint.

### Features:

- Full contact and support of the pipe wall
- Ideal companion for push-on fittings (4" – 12")
- \* Rated at full working pressure rating of any class of PVC pipe, minimum 2:1 safety factor
- Does not replace the follower gland - mechanical joint retains full deflection capabilities
- Can be installed outside of the trench, prior to pipe laying
- 4" through 12" "C" Style units can be used on ductile iron pipe with a reduced pressure rating, see page U-32

\*The safety factor is derated on 10" and 12" push-on joints that do not accommodate all of the 1300 T-Bolts. Consult the Ford Meter Box website for the most current installation instructions.

**Series 1300 Restrainer -**  
Ductile Iron ASTM A536, Grade 65-45-12  
or ASTM A36 Structural Steel

Color Code:  
Black for PVC with ductile iron pipe O.D.  
Gray for PVC with steel pipe O.D.  
Contact factory for coating options.

**Side Clamping Bolts and Nuts**

**T-Bolts / Studs -**  
High Strength, Low Alloy Steel  
ANSI / AWWA C111 / A21.11  
Optional: Type 304 Stainless Steel.

**Sample Applications**

**Series 1300 Restraining push-on fitting**

**Series 1300 Restraining MJ Fitting**

**Series 1300 Restraining MJ End Cap**

**FM Approved**  
1300C Approved  
4", 6", 8" and 10"

### Suggested Specification - Series 1300

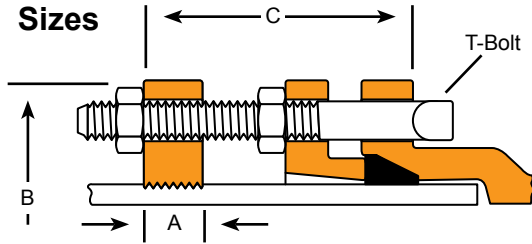
Restraint devices for PVC pipe shall incorporate a series of serrations on the inside diameter to provide positive restraint, exact fit, and full contact and support of the pipe wall. Restraint devices shall be manufactured of ductile iron per ASTM A536, Grade 65-45-12 or ASTM A36 structural steel. Bolts and connecting hardware shall be of high strength low alloy material in accordance with ANSI / AWWA C111/A21.11.

All restraint devices for PVC pipe shall have a water working pressure rating equivalent to the full rated pressure of the PVC pipe on which they are installed, with a minimum 2:1 safety factor in any nominal pipe size. Notarized certification from the manufacturer of the restraint device shall be provided with submittals. Restraint devices for Mechanical Joint or Push-on fittings shall be Uni-Flange® 1300 or approved equal.

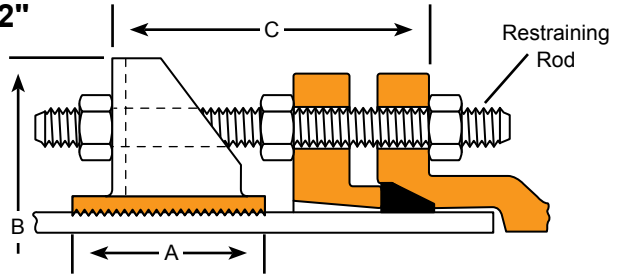
# Uni-Flange® Series 1300 Pipe Restraint

\*\* Restraint Device for PVC Pipe used with Mechanical Joint and \*Push-on Fittings

2" - 12"  
Sizes



14" - 42"  
Sizes



NOM. PIPE SIZE	PVC PIPE WITH STEEL PIPE O.D. STYLE 1300-S		A	B APPROX.	C MAX.	RESTRAINT BOLTS / RODS		CLAMPING BOLTS		APPROX. WT. LBS.
	O.D.	CATALOG NUMBER				No.	SIZE	No.	SIZE	
	2"	2.38				UFR1300-S-2-I	1-1/8"	6-3/8"	4"	
2-1/2"	2.88	UFR1300-S-2-I	1-1/8"	6-7/8"	4"	2	5/8"x5"	2	5/8"x3-1/2"	7.4
3"	3.50	UFR1300-S-3-I	1-1/8"	7-11/16"	4"	2	5/8"x5"	2	5/8"x3-1/2"	7.4
4"	4.50	UFR1300-S-4-(I or U)	1-1/8"	9-1/8"	6"	2	3/4"x7"	2	5/8"x3-1/2"	8.5
6"	6.63	UFR1300-S-6-(I or U)	1-1/8"	11-1/8"	6"	2	3/4"x7"	2	5/8"x3-1/2"	10.0
8"	8.63	UFR1300-S-8-(I or U)	1-1/4"	14-5/8"	6"	2	3/4"x7"	2	3/4"x4"	15.5
10"	10.75	UFR1300-S-10-(I or U)	1-3/8"	16-5/8"	6"	4	3/4"x7"	2	7/8"x5"	26.5
12"	12.75	UFR1300-S-12-(I or U)	1-3/8"	19-1/4"	6"	4	3/4"x7"	2	7/8"x5"	28.5
14"	14.00	UFR1300-S-14-U	4"	22-1/2"	15"	6	3/4"x17"	4	7/8"x7"	72.5
16"	16.00	UFR1300-S-16-U	4"	24-9/16"	15"	6	3/4"x17"	4	7/8"x7"	77.0
18"	18.00	UFR1300-S-18-U	5"	26-11/16"	15"	8	3/4"x17"	4	1"x7"	109.0
20"	20.00	UFR1300-S-20-U	5"	29-3/16"	22"	8	3/4"x24"	6	1-1/8"x9"	144.0
24"	24.00	UFR1300-S-24-U	5"	33-7/8"	22"	12	3/4"x24"	6	1-1/8"x9"	220.0
30"	30.00	UFR1300-S-30-U	10"	40-9/10"	22"	12	1"x24"	6	1-1/8"x9"	325.0
36"	36.00	UFR1300-S-36-U	10"	48"	22"	12	1"x24"	6	1-1/8"x9"	360.0

NOM. PIPE SIZE	PVC PIPE WITH DUCTILE IRON PIPE O.D. STYLE 1300-C-I		CLAMPING BOLTS		** PVC PIPE WITH DUCTILE IRON PIPE O.D. STYLE 1300-C-U		CLAMPING BOLTS		A	B APPROX.	C MAX.	RESTRAINT BOLTS / RODS		APPROX. WT. LBS.
	O.D.	CATALOG NUMBER	No.	SIZE	O.D.	CATALOG NUMBER	No.	SIZE				No.	SIZE	
	4"	4.80	UFR1300-C-4-I	2	5/8"x3-1/2"	4.80	UFR1300-C-4-U	2				5/8"x3-1/2"	1-1/8"	
6"	6.90	UFR1300-C-6-I	2	5/8"x3-1/2"	6.90	UFR1300-C-6-U	2	5/8"x3-1/2"	1-1/8"	11-1/8"	6"	2	3/4"x7"	10.0
8"	9.05	UFR1300-C-8-I	2	3/4"x4"	9.05	UFR1300-C-8-U	2	3/4"x4"	1-1/4"	14-5/8"	6"	2	3/4"x7"	15.5
10"	11.10	UFR1300-C-10-I	2	7/8"x5"	11.10	UFR1300-C-10-U	2	7/8"x5"	1-3/8"	16-5/8"	6"	4	3/4"x7"	26.5
12"	13.20	UFR1300-C-12-I	2	7/8"x5"	13.20	UFR1300-C-12-U	2	7/8"x5"	1-3/8"	19-1/4"	6"	4	3/4"x7"	28.5
14"	15.30	UFR1300-C-14-I	4	7/8"x7"	15.30	UFR1300-C-14-U	4	7/8"x5"	4"	22-1/2"	15"	6	3/4"x17"	72.5
16"	17.40	UFR1300-C-16-I	4	7/8"x7"	17.40	UFR1300-C-16-U	4	7/8"x5"	4"	24-9/16"	15"	6	3/4"x17"	77.0
18"	19.50	UFR1300-C-18-I	4	1"x7"	19.50	UFR1300-C-18-U	4	1"x7"	5"	26-11/16"	15"	8	3/4"x17"	109.0
20"	21.60	UFR1300-C-20-I	4	1-1/8"x9"	21.60	UFR1300-C-20-U	4	1-1/8"x5-1/2"	5"	29-3/16"	22"	8	3/4"x24"	144.0
24"	25.80	UFR1300-C-24-I	4	1-1/8"x9"	25.80	UFR1300-C-24-U	4	1-1/8"x5-1/2"	5"	33-7/8"	22"	12	3/4"x24"	220.0
30"	32.00	UFR1300-C-30-I	6	1-1/8"x6"	32.00	UFR1300-C-30-U	6	1-1/8"x9"	10"	40-9/10"	22"	12	1"x24"	325.0
36"	38.30	UFR1300-C-36-I	6	1-1/8"x6"	38.30	UFR1300-C-36-U	6	1-1/8"x9"	10"	48"	22"	12	1"x24"	360.0
42"	44.50	UFR1300-C-42-I	8	1-1/8"x6"	44.50	N/A	N/A	N/A	10-3/4"	57-9/16"	22"	16	1-1/4"x24"	487.0

I = Import Casting U = Domestic Casting or Fabrication

Note: 14" - 42" are non-returnable and may be subject to a cancellation fee.

\*\* 4" through 12" "C" style units can be used on ductile iron pipe with a reduced pressure rating. See page U-32.

All dimensions in inches unless otherwise stated.

## Series 1300-CA Packaged with Accessories 4" - 12"

NOMINAL PIPE SIZE	PIPE O.D. (INCHES)	CATALOG NUMBER	APPROX. WT. LBS.
4"	4.80	UFR1300-CA-4-(I or U)	13.2
6"	6.90	UFR1300-CA-6-(I or U)	19.9
8"	9.05	UFR1300-CA-8-(I or U)	26.2
10"	11.10	UFR1300-CA-10-(I or U)	37.8
12"	13.20	UFR1300-CA-12-(I or U)	43.1

## Series 1300-SA Packaged with Accessories 2" - 12"

NOMINAL PIPE SIZE	PIPE O.D. (INCHES)	CATALOG NUMBER	APPROX. WT. LBS.
2"	2.38	UFR1300-SA-2-I	8.7
3"	3.50	UFR1300-SA-3-I	10.2
4"	4.50	UFR1300-SA-4-(I or U)	13.5
6"	6.63	UFR1300-SA-6-(I or U)	20.6
8"	8.63	UFR1300-SA-8-(I or U)	25.9
10"	10.75	UFR1300-SA-10-(I or U)	38.0
12"	12.75	UFR1300-SA-12-(I or U)	45.4

\*The safety factor is derated on push-on joints that do not accommodate all of the 1300 T-Bolts.

# Uni-Flange® Series 1300-P Pipe Restraint

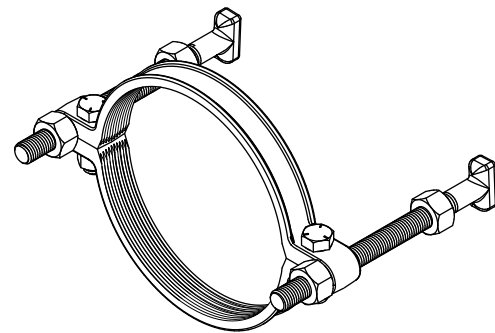
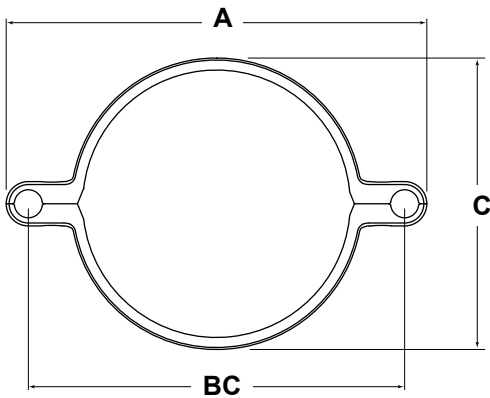
## Restraint Device for PVC Sewer Pipe

### Features:

- Specially designed for ASTM 3034 type PSM sewer pipe
- Optimized clamping bolt/tie rod location minimizes pipe wall stress, ideal for thin wall pipe
- Rods are high strength, low alloy steel per ANSI/AWWA C111/A21.11
- High-quality ductile iron construction per ASTM A536 (4" – 15")
- Carbon steel per ASTM A36 (18" – 36")
- Epoxy e-coat (15" and under) for superior corrosion resistance. Black shop coat on 18" and larger.
- 50 PSI working pressure rating 2:1 safety factor

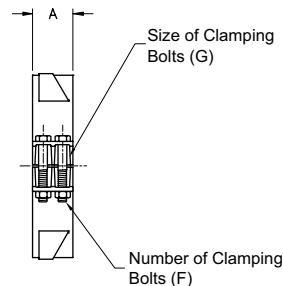
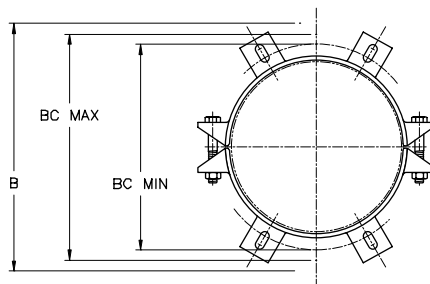


### Style A - Combined Bolt/Tie Rod Location



NOM. PIPE SIZE	SEWER PIPE STYLE 1300-P		A	BC	C	RESTRAINT BOLTS		CLAMPING BOLTS		APPROX. Wt. LBS.
	O.D.	CATALOG NUMBER				No.	SIZE	No.	SIZE	
4"	4.22	UFR1300-P-4-I	8-57/64"	7-1/2"	4-59/64"	2	3/4"x7"	2	5/8"x2-1/4"	5.5
6"	6.28	UFR1300-P-6-I	10-57/64"	9-1/2"	6-63/64"	2	3/4"x7"	2	5/8"x2-1/4"	5.9
8"	8.40	UFR1300-P-8-I	13-9/64"	11-3/4"	9-3/32"	2	3/4"x7"	2	5/8"x2-1/4"	6.3
10"	10.50	UFR1300-P-10-I	15-23/64"	14"	11-29/64"	2	3/4"x7"	2	5/8"x2-1/4"	8.3
12"	12.50	UFR1300-P-12-I	18"	16-1/4"	13-29/64"	2	3/4"x7"	2	5/8"x2-1/4"	9.5

### Style B



NOM. PIPE SIZE	SEWER PIPE STYLE 1300-P		A	B APPROX.	RESTRAINT RODS		CLAMPING BOLTS		BC MIN.	BC MAX.	APPROX. Wt. LBS.
	O.D.	CATALOG NUMBER			No.	SIZE	No.	SIZE			
15"	15.30	UFR1300-P-15-I	4"	22-1/2"	4	3/4"x17"	4	7/8"x7"	18.50	20.50	60.0
		UFR1300-P-15-U	4"	22-1/2"	4	3/4"x17"	4	7/8"x5"	18.50	20.50	50.0
18"	18.70	UFR1300-P-18-U	4"	26-3/16"	4	3/4"x17"	4	7/8"x7"	21.88	23.88	62.0
21"	22.05	UFR1300-P-21-U	4"	28-13/16"	4	3/4"x24"	4	7/8"x7"	24.56	26.56	68.5
24"	24.80	UFR1300-P-24-U	4"	32-3/16"	4	3/4"x24"	4	7/8"x7"	27.94	29.94	76.5
27"	27.95	UFR1300-P-27-U	4"	35-3/8"	4	3/4"x24"	4	7/8"x7"	31.09	33.09	85.0
30"											
36"											

Contact factory for larger sizes. Exact pipe O.D. is required.

# Specifications - Uni-Flange® Series 1350

## Series 1350 Uni-Flange® Restraint Device for PVC Pipe Bell Joints

The Uni-Flange® Series 1350 offers the fastest, most economical method of restraining bell and spigot joints of PVC pipe in new installations.

The Series 1350 consists of two basic components: a Series 1300 split restraint device, which is installed on the spigot end of the pipe, and a Series 1350 solid backup ring, which has a beveled leading edge and sits behind the pipe bell.

### Features:

- Fast and Easy - 1350 solid backup ring eliminates the need to tighten extra bolts and nuts
- Can be installed outside of the trench, prior to pipe laying
- Full contact and support of the pipe wall
- Rated at full working pressure rating of any class of PVC pipe, minimum 2:1 safety factor

**Note:** Series 1350 (4" – 12" sizes) is NOT recommended for use on AWWA C900, DR14 PVC pipe. Use Series 1390 for C900 DR14 PVC pipe.

#### Split Ring Restraint - Uni-Flange®

Series 1300 made from ductile iron per ASTM A536, Grade 65-45-12, or ASTM A36 carbon steel.

#### Color Code:

Black for PVC with ductile iron pipe O.D.  
Gray for PVC with steel pipe O.D.  
Contact factory for coating options.

#### Side Clamping Bolts and Nuts

**T-Bolts / Studs** - High strength, low alloy steel ANSI / AWWA C111/A21.11.  
Optional: Type 304 Stainless Steel

**Backup Ring** - 2" - 18" Sizes: Ductile Iron per ASTM A536, Grade 65-45-12.  
20" - 24" Carbon steel per ASTM A36



**2" - 12"  
Series 1350 Installed**



**14" - 24"  
Series 1350 Installed**

### Suggested Specification - Series 1350

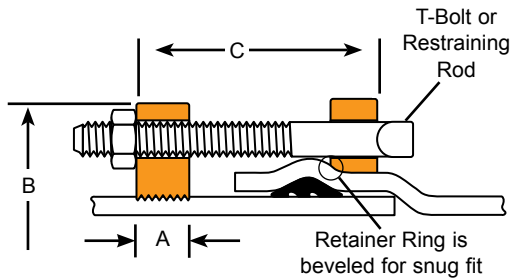
Restraint devices for bell and spigot joints of PVC pipe shall consist of a split restraint ring installed on the spigot, connected to a solid backup ring seated behind the bell. The split restraint ring shall incorporate a series of serrations on the inside diameter to provide positive restraint, exact fit, and full contact and support of the pipe wall. The solid backup ring shall have a beveled leading edge to ensure exact fit behind the pipe bell. Restraint devices shall be of ductile iron, ASTM A536, Grade 65-45-12, or ASTM A36 structural steel. Connecting bolts shall be of high strength, low alloy material in accordance with ANSI / AWWA C111 / A21.11.

All restraint devices shall carry a water working pressure rating equivalent to the full rated pressure of the PVC pipe they are installed on, with a minimum 2:1 safety factor in any nominal pipe size. Notarized certification from the manufacturer of the restraint device shall be provided with submittals. Restraint devices for bell and spigot joints of PVC pipe shall be Uni-Flange® 1350 or approved equal.

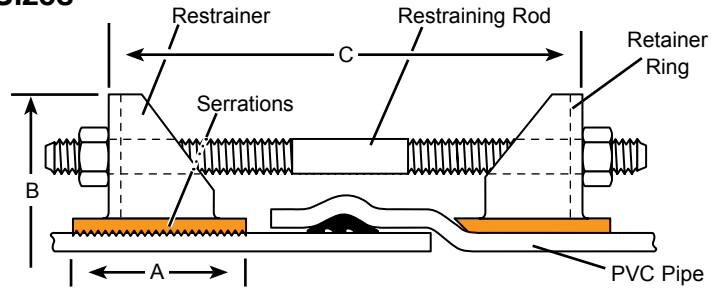
# Uni-Flange® Series 1350 Pipe Restraint

## Restraint Device for PVC Pipe Bell Joints

2" – 12"  
Sizes



14" – 24"  
Sizes



NOM. PIPE SIZE	PVC PIPE WITH STEEL PIPE O.D. STYLE 1350-S		PVC PIPE WITH DUCTILE IRON PIPE O.D. STYLE 1350-C		A	B APPROX.	C MAX.	RESTRAINT BOLTS / RODS		CLAMPING BOLTS		APPROX. WT. LBS.
	O.D.	CATALOG NUMBER	O.D.	CATALOG NUMBER				No.	SIZE	No.	SIZE	
2"	2.38	UFR1350-S-2-I	N/A	–	1-1/8"	6-1/4"	4"	2	5/8"x5"	2	5/8"x3-1/2"	8.5
3"	3.50	UFR1350-S-3-I	N/A	–	1-1/8"	7-11/16"	4"	2	5/8"x5"	2	5/8"x3-1/2"	11.0
4"	4.50	UFR1350-S-4-I	4.80	UFR1350-C-4-(I or U)	1-1/8"	9-1/8"	6"	2	3/4"x9"	2	5/8"x3-1/2"	13.0
6"	6.63	UFR1350-S-6-I	6.90	UFR1350-C-6-(I or U)	1-1/8"	11-7/8"	6"	2	3/4"x9"	2	5/8"x3-1/2"	16.5
8"	8.63	UFR1350-S-8-I	9.05	UFR1350-C-8-(I or U)	1-1/4"	14-5/8"	8"	2	3/4"x12"	2	3/4"x4"	26.5
10"	10.75	UFR1350-S-10-I	11.10	UFR1350-C-10-(I or U)	1-3/8"	16-5/8"	8"	4	3/4"x17"	2	7/8"x5"	43.5
12"	12.75	UFR1350-S-12-I	13.20	UFR1350-C-12-(I or U)	1-3/8"	19-1/4"	8"	4	3/4"x17"	2	7/8"x5"	50.0
14"	14.00	UFR1350-S-14-U	15.30	UFR1350-C-14-(I or U)	4"	23-3/16"	15"	6	3/4"x24"	4	◆	118.0
16"	16.00	UFR1350-S-16-U	17.40	UFR1350-C-16-(I or U)	4"	25-3/8"	15"	6	3/4"x24"	4	◆	127.0
18"	18.00	UFR1350-S-18-U	19.50	UFR1350-C-18-(I or U)	5"	27-3/8"	15"	8	3/4"x24"	4	1"x7"	166.0
20"	20.00	UFR1350-S-20-U	21.60	UFR1350-C-20-(I or U)	5"	29-3/4"	21-1/2"	8	3/4"x30"	◆	◆	223.0
24"	24.00	UFR1350-S-24-U	25.80	UFR1350-C-24-(I or U)	5"	33-7/8"	21-1/2"	12	3/4"x36"	◆	◆	334.0
30"	USE SERIES 1390 FOR THESE SIZES											
36"	USE SERIES 1390 FOR THESE SIZES											
42"	USE SERIES 1390 FOR THESE SIZES											

I = Import Casting U = Domestic Casting or Fabrication

Note: 14" - 24" are non-returnable and may be subject to a cancellation fee.

All dimensions in inches unless otherwise stated.

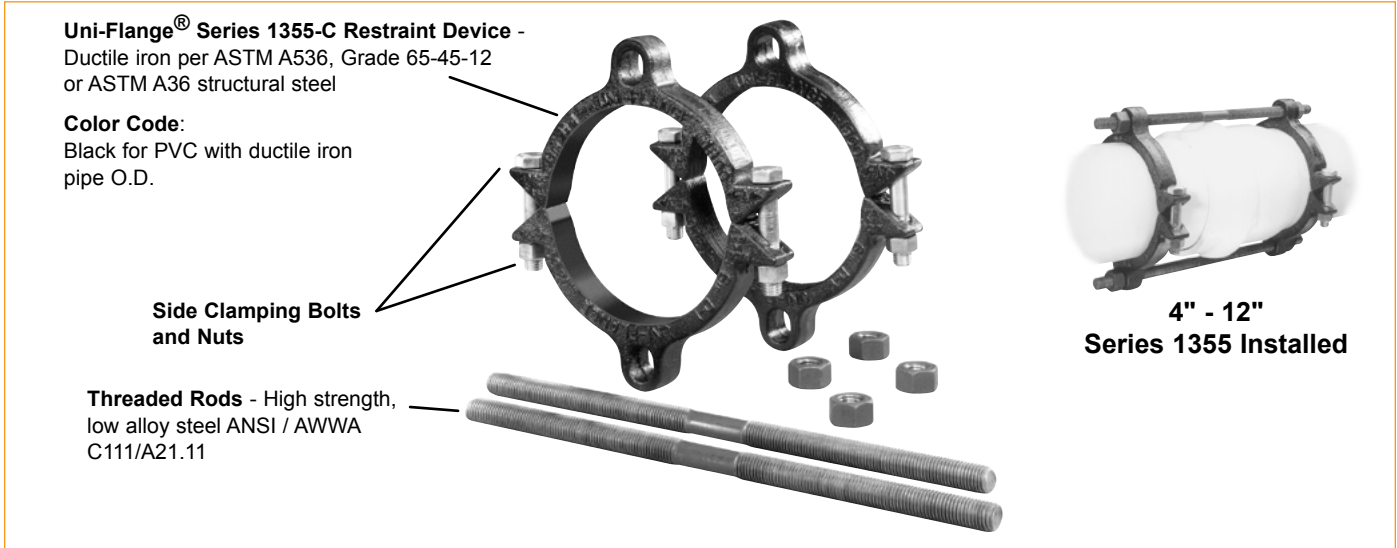
◆ Contact factory for details.

# Specifications - Uni-Flange® Series 1355

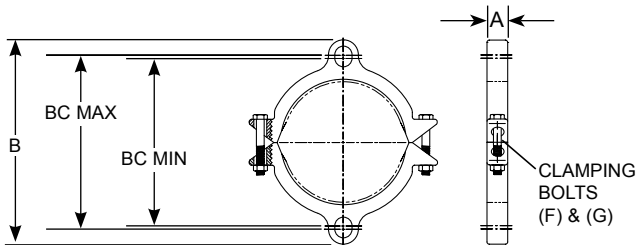
## Series 1355 Uni-Flange® Restraint Device for PVC Pipe Bell Joints for Ductile Iron Pipe O.D.

The Uni-Flange® Series 1355 offers fast, economical, guaranteed restraint of PVC pipe bell and spigot joints in new or existing installations in any soil condition. The Series 1355 eliminates the need for concrete thrust blocks and offers an alternative to “factory restrained joint” metallic pipes.

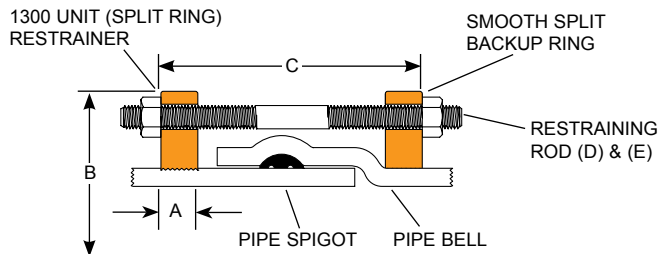
The Series 1355 consists of a Series 1300 split restraint device and a smooth split backup ring. The 1300 is installed on the pipe spigot and the smooth ring behind the pipe bell. The two are connected to each other with double ended rods (provided).



**1300 SPLIT RESTRAINER**



**1355 ASSEMBLY**



NOM. PIPE SIZE	PVC PIPE WITH DI PIPE O.D. STYLE 1355-C		A	B APPROX	C MAX	RESTRAINING RODS		CLAMPING BOLTS		BC MAX	BC MIN
	OD	CATALOG No.				No. D	SIZE E	No. F	SIZE G		
4"	4.80	UFR1355-C-4-U	1-1/8"	9-1/8"	12"	2	3/4" x 17"	4	5/8" x 3-1/2"	7.50"	7.14"
6"	6.90	UFR1355-C-6-U	1-1/8"	11-1/8"	13"	2	3/4" x 17"	4	5/8" x 3-1/2"	9.50"	9.14"
8"	9.05	UFR1355-C-8-U	1-1/4"	14-5/8"	15"	2	3/4" x 17"	4	3/4" x 4"	12.98"	11.36"
10"	11.10	UFR1355-C-10-U	1-3/8"	16-5/8"	16"	4	3/4" x 24"	4	7/8" x 5"	15.00"	13.50"
12"	13.20	UFR1355-C-12-U	1-3/8"	19-1/4"	18"	4	3/4" x 24"	4	7/8" x 5"	17.62"	15.62"

### Suggested Specification - Series 1355

Restraint devices for bell and spigot joints of PVC pipe having ductile iron pipe O.D. shall consist of two split restraint rings, one installed on the spigot connected to one installed on the pipe barrel behind the bell. One restraint device shall incorporate a series of serrations on the inside diameter to provide positive restraint, exact fit, and full contact and support of the pipe wall on the spigot end. Restraint devices shall be of ductile iron, ASTM A536, Grade 65-45-12 or ASTM A36 structural steel, and connecting rods shall be of high strength, low alloy material in accordance with ANSI / AWWA C111/A21.11.

All restraint devices shall have a water working pressure rating equivalent to the full rated pressure of the PVC pipe they are installed on, with a minimum 2:1 safety factor in any nominal pipe size. Notarized certification from the manufacturer of the restraint device shall be provided with submittals. Restraint devices for bell and spigot joints of PVC pipe having ductile iron pipe O.D. shall be Uni-Flange® 1355 or approved equal.

# Specifications - Uni-Flange® Series 1360

## Series 1360 Uni-Flange® Restraint Device for PVC Pressure Fittings

U.S. Patent No. 8096591

More and more municipalities and consulting engineers are specifying PVC pipe joined with PVC pressure fittings.

Uni-Flange® offers the fastest, most economical and reliable method of restraining PVC pressure fittings with the Series 1360. The 1360 provides complete fitting restraint in a matter of minutes, using only a wrench.

The Uni-Flange® Series 1360 consists of two split rings. The Series 1300 is installed on PVC pipe and connected to a specially designed backup ring that sits securely behind the fitting bell. The backup ring is beveled on the leading edge and the two halves are designed to interlock. No clamping bolts are required.

The Uni-Flange® Series 1360 offers guaranteed joint restraint every time, eliminating the need for expensive and time consuming concrete thrust blocks. No waiting for trucks. No building forms. Trenches can be backfilled immediately. The 1360 keeps the job moving.

### Split Ring Restraint - Uni-Flange®

Series 1300 is made from ductile iron per ASTM A536, Grade 65-45-12, or ASTM A36 structural steel.

#### Color Code:

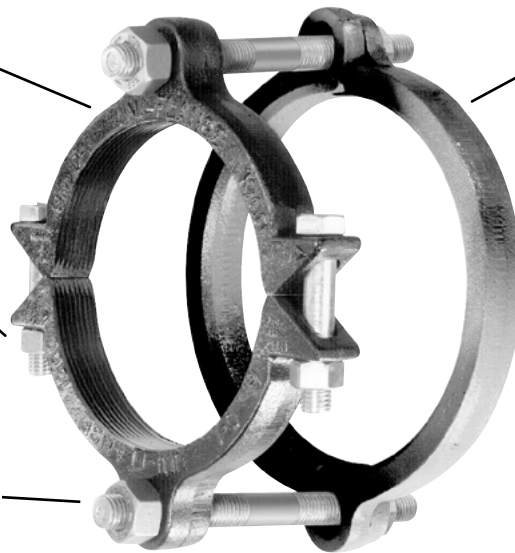
Black for PVC with ductile iron pipe O.D.

Gray for PVC with steel pipe O.D.

Contact factory for coating options.

### Side Clamping Bolts and Nuts

**Connecting Rods** - High strength, low alloy steel per ANSI / AWWA C111/A21.11  
Optional: Type 304 stainless steel



**Split Backup Ring** - Ductile iron per ASTM A536, Grade 65-45-12 or steel per ASTM A36.



Series 1360 Installed

## Applications / Pressure Rating

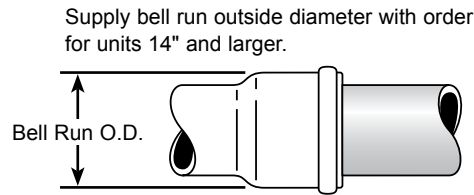
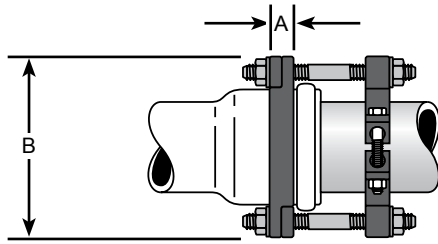
The Uni-Flange® Series 1360 carries a water working pressure rating of 235 PSI in 2" through 8" nominal sizes. Larger sizes carry the same pressure rating as the fittings on which they are installed. (Contact fitting manufacturer for rating.) The bell run O.D. is required for sizes 14" and larger (See bell run illustration at top of next page). All sizes incorporate a minimum 2:1 safety factor at the full rated pressure.

## Suggested Specification - Series 1360

Restraint devices for PVC pipe and PVC pressure fittings shall consist of a split restraint ring installed on the spigot, connected to a split backup ring that sits behind the gasket race of the fitting. The split restraint ring shall incorporate a series of serrations on the inside diameter to provide positive restraint, exact fit, and full contact and support of the pipe wall. The two halves of the split backup ring shall form a beveled leading edge to ensure exact fit behind the fitting gasket race. Restraint devices shall be of ductile iron per ASTM A536, Grade 65-45-12, or ASTM A36 structural steel and connecting rods shall be of high strength, low alloy material in accordance with ANSI / AWWA C111 / A21.11. Restraint devices shall be Uni-Flange® 1360 or approved equal.

# Uni-Flange® Series 1360 Pipe Restraint

U.S. Patent No. 8096591



## 4" Through 12" Restraint Device For AWWA C907 PVC Pressure Fittings

NOM. PIPE SIZE	PIPE O.D. (INCHES)	A	B APPROX.	CATALOG NUMBER FOR FITTINGS	CONNECTING RODS NUMBER AND SIZE	SIDE BOLT QUANTITY AND SIZE		APPROX. WT. LBS.
						RESTRAINT	BACKUP RING	
4"	4.80	1-1/8"	9-1/8"	UFR1360-C-4-(I or U)	(2) 3/4"x12"	(2) 5/8"x3-1/2"	-	13.5
6"	6.90	1-1/8"	11-7/8"	UFR1360-C-6-(I or U)	(2) 3/4"x12"	(2) 5/8"x3-1/2"	-	18.0
8"	9.05	1-1/8"	14-9/16"	UFR1360-C-8-(I or U)	(2) 3/4"x12"	(2) 3/4"x4"	-	29.0
10"	11.10	4"	19-11/16"	*UFR1360-C-10-(I or U)	(4) 3/4"x17"	(2) 7/8"x5"	(2) 7/8" x 3-1/2"	54.5
12"	13.20	4"	21-15/16"	*UFR1360-C-12-(I or U)	(4) 3/4"x17"	(2) 7/8"x5"	(2) 7/8" x 3-1/2"	81.0

\* 10" and 12" are adjustable castings to accommodate a range of bell run O.D's.

## 14" Through 36" Restraint Device For AWWA C907 PVC Pressure Fittings

NOM. PIPE SIZE	PIPE O.D. (INCHES)	A	B APPROX.	CATALOG NUMBER FOR FITTINGS	CONNECTING RODS QUANTITY AND SIZE	SIDE BOLT QUANTITY AND SIZE		APPROX. WT. LBS.
						RESTRAINT	BACKUP RING	
14"	15.30	4"	24-1/4"	*UFR1360-C-14-xxxx	(6) 3/4"x24"	♦	(4) 7/8"x7"	127.0
16"	17.40	4"	26-9/16"	*UFR1360-C-16-xxxx	(6) 3/4"x30"	♦	(4) 7/8"x7"	140.0
18"	19.50	4"	28-7/8"	*UFR1360-C-18-xxxx	(8) 3/4"x30"	(4) 1"x7"	(4) 7/8"x7"	181.0
20"	21.60	5"	31-1/8"	*UFR1360-C-20-xxxx	(8) 3/4"x30"	♦	(4) 1" x 9"	227.0
24"	25.80	5"	35-7/8"	*UFR1360-C-24-xxxx	(12) 3/4"x36"	♦	(4) 1" x 9"	328.0
30"	32.00	7"	44-1/16"	*UFR1360-C-30-xxxx	(12) 1"x40"	♦	(6) 1-1/8" x 9"	551.0
36"	38.30	7"	51-15/16"	*UFR1360-C-36-xxxx	(12) 1"x40"	♦	(6) 1-1/8" x 9"	583.0

\* The bell run outside diameter must be provided. Contact factory for details. (See bell run illustration above.)

I = Import Casting U = Domestic Casting or Fabrication

♦ Contact factory for details.

## Restraint Device For IPS Class 200 PVC Fittings

NOM. PIPE SIZE	PIPE O.D. (INCHES)	A	B	CATALOG NUMBER	CONNECTING RODS QUANTITY AND SIZE	SIDE BOLTS QUANTITY AND SIZE	APPROX. WT. LBS.
2"	2.38	1-1/8"	6-3/8"	UFR1360-S-2-I	(2) 5/8"x11"	(2) 5/8"x3-1/2"	9.5
2-1/2"	2.88	1-1/8"	6-7/8"	UFR1360-S-25-I	(2) 5/8"x11"	(2) 5/8"x3-1/2"	10.0
3"	3.50	1-1/8"	7-5/8"	UFR1360-S-3-I	(2) 5/8"x11"	(2) 5/8"x3-1/2"	10.5
4"	4.50	1-1/8"	9-1/8"	UFR1360-S-4-I	(2) 3/4"x12"	(2) 5/8"x3-1/2"	14.0
6"	6.63	1-1/8"	11-9/16"	UFR1360-S-6-I	(2) 3/4"x12"	(2) 5/8"x3-1/2"	17.5
8"	8.63	1-1/8"	13-3/8"	UFR1360-S-8-I	(2) 3/4"x12"	(2) 3/4"x4"	26.0

Contact factory for information on sizes larger than 8".

I = Import Casting

# Uni-Flange® Series 1369 Pipe Restraint

## 4" Through 16" Restraint Device for AWWA C909 PVC to PVC Pressure Fittings

NOM. PIPE SIZE	PIPE O.D. (INCHES)	A	B	CATALOG NUMBER	CONNECTING RODS QUANTITY AND SIZE	SIDE BOLTS QUANTITY AND SIZE	APPROX. WT. LBS.
4"	4.8	2-13/64"	10.80"	UFR1369-C-4-(I or U)	(2) 3/4"x17"	(2) 5/8"x2-1/2"	14.92
6"	6.9	2-13/64"	12.80"	UFR1369-C-6-(I or U)	(2) 3/4"x17"	(2) 5/8"x2-1/2"	19.03
8"	9.05	2-13/64"	16.73"	UFR1369-C-8-(I or U)	(2) 3/4"x17"	(2) 3/4"x3"	27.56
10"	11.1	-	19.06"	UFR1369-C-10-(I or U)	(4) 3/4"x24"	-	I = 61.65 U = 74.66
12"	13.2	-	21.38"	UFR1369-C-12-(I or U)	(4) 3/4"x24"	-	I = 76.42 U = 87.52
14"	15.3	7"	22.64"	UFR1369-C-14-U	(6) 1-1/8"x24"	(6) 1-1/8"x9"	-
16"	17.4	7"	25.78"	UFR1369-C-16-U	(6) 3/4"x30"	(6) 1-1/8"x9"	-

I = Import Casting U = Domestic Casting or Fabrication



# Specifications - Uni-Flange® Series 1390

## Series 1390 Uni-Flange® Restraint Device for PVC Pipe Bell Joints

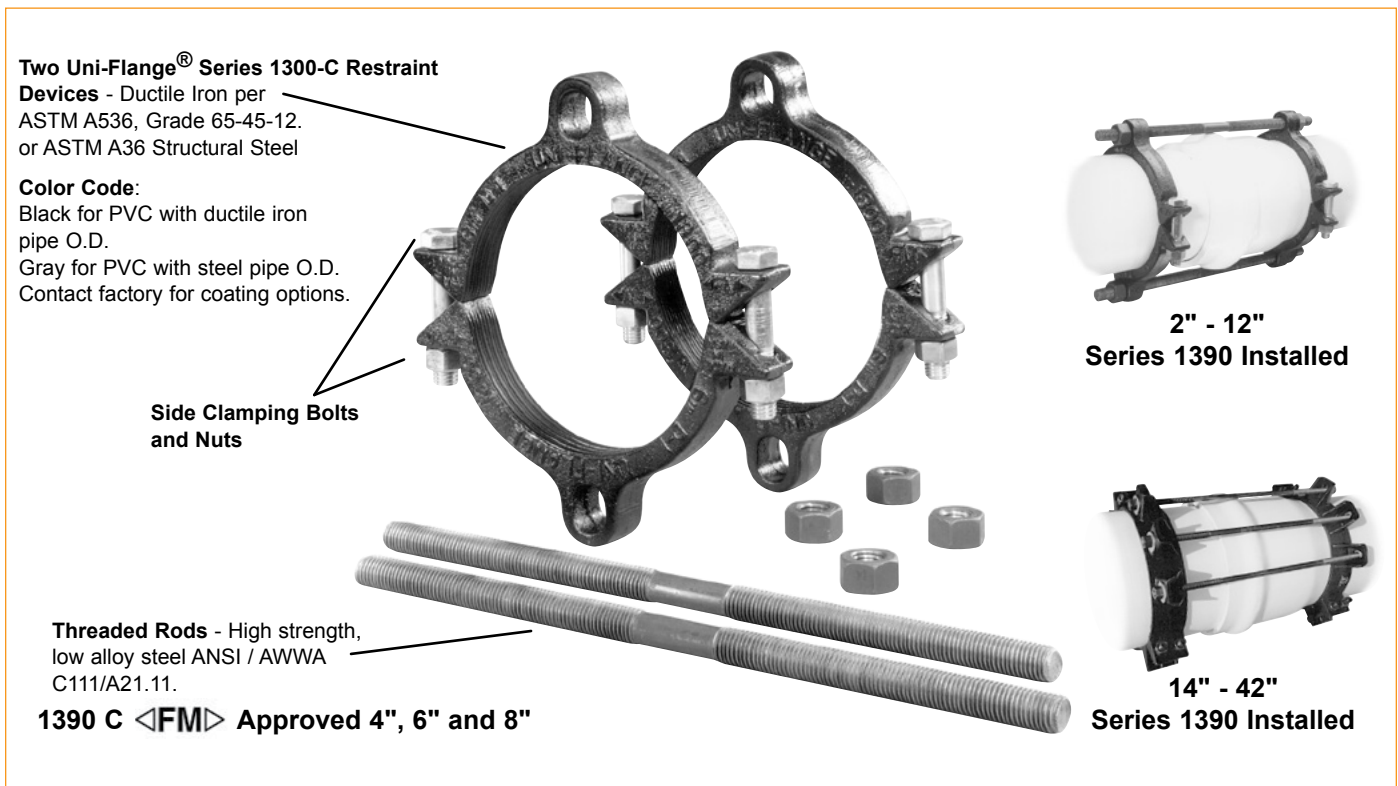
The Uni-Flange® Series 1390 offers fast, economical, guaranteed restraint of PVC pipe bell and spigot joints in new or existing installations in any soil condition. The Series 1390 eliminates the need for concrete thrust blocks and offers an alternative to "factory restrained joint" metallic pipes.

The Series 1390 consists of two Series 1300 split restraint devices. One is installed on the pipe spigot and the other behind the pipe bell. The two are connected to each other with double ended rods (provided).

**Note:** 1390 restraining rods will span 2"-12" FC1 style flexible couplings (Section M) when positioned to avoid the coupling bolts. Please contact the factory for other coupling applications.

### Features:

- Provides restraint for new, or existing, in-ground piping systems
- Full contact and support of the pipe wall
- Rated at full working pressure rating of any class of PVC pipe, minimum 2:1 safety factor
- 4" through 12" "C" style units can be used on ductile iron pipe with a reduced pressure rating. See page U-32.



### Suggested Specification - Series 1390

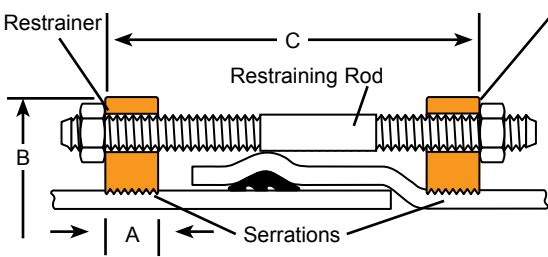
Restraint devices for bell and spigot joints of PVC pipe shall consist of two split restraint rings, one installed on the spigot, connected to one installed on the pipe barrel behind the bell. The restraint devices shall incorporate a series of serrations on the inside diameter to provide positive restraint, exact fit, full contact and support of the pipe wall. Restraint devices shall be of ductile iron per ASTM A536, Grade 65-45-12 or ASTM A36 structural steel, and connecting rods shall be of high strength, low alloy material in accordance with ANSI / AWWA C111/A21.11.

All restraint devices shall have a water working pressure rating equivalent to the full rated pressure of the PVC pipe they are installed on, with a minimum 2:1 safety factor in any nominal pipe size. Notarized certification from the manufacturer of the restraint device shall be provided with submittals. Restraint devices for bell and spigot joints of PVC pipe shall be Uni-Flange® 1390 or approved equal.

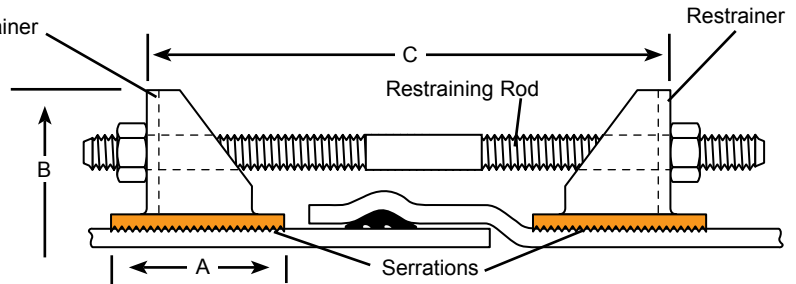
# Uni-Flange® Series 1390 Pipe Restraint

Restraint Device for PVC Pipe Bell Joints

2" - 12" Sizes



14" - 42" Sizes



NOM. PIPE SIZE	PVC PIPE WITH STEEL PIPE O.D. STYLE 1390-S		*PVC PIPE WITH DUCTILE IRON PIPE O.D. STYLE 1390-C		A	B APPROX.	C MAX.	RESTRAINT BOLTS / RODS		CLAMPING BOLTS		APPROX. WT. LBS.
	O.D.	CATALOG NUMBER	O.D.	CATALOG NUMBER				No.	SIZE	No.	SIZE	
2"	2.38	UFR1390-S-2-I	N/A	-	1-1/8"	6-1/4"	10"	2	5/8"x11"	4	5/8"x3-1/2"	11.5
2-1/2"	2.88	UFR1390-S-25-I	N/A	-	1-1/8"	6-7/8"	10"	2	5/8"x11"	4	5/8"x3-1/2"	12.8
3"	3.50	UFR1390-S-3-I	N/A	-	1-1/8"	7-11/16"	10"	2	5/8"x11"	4	5/8"x3-1/2"	13.5
4"	4.50	UFR1390-S-4-(IorU)	4.80	UFR1390-C-4-(IorU)	1-1/8"	9-1/8"	12"	2	3/4"x17"	4	5/8"x3-1/2"	17.0
6"	6.63	UFR1390-S-6-(IorU)	6.90	UFR1390-C-6-(IorU)	1-1/8"	11-1/8"	13"	2	3/4"x17"	4	5/8"x3-1/2"	18.5
8"	8.63	UFR1390-S-8-(IorU)	9.05	UFR1390-C-8-(IorU)	1-1/4"	14-5/8"	15"	2	3/4"x17"	4	3/4"x4"	29.0
10"	10.75	UFR1390-S-10-(IorU)	11.10	UFR1390-C-10-(IorU)	1-3/8"	16-5/8"	16"	4	3/4"x24"	4	7/8"x5"	53.0
12"	12.75	UFR1390-S-12-(IorU)	13.20	UFR1390-C-12-(IorU)	1-3/8"	19-1/4"	18"	4	3/4"x24"	4	7/8"x5"	56.5
14"	14.00	UFR1390-S-14-U	15.30	UFR1390-C-14-(IorU)	4"	22-1/2"	24"	6	3/4"x30"	8	♦	136.0
16"	16.00	UFR1390-S-16-U	17.40	UFR1390-C-16-(IorU)	4"	24-9/16"	28"	6	3/4"x30"	8	♦	147.0
18"	18.00	UFR1390-S-18-U	19.50	UFR1390-C-18-(IorU)	5"	26-11/16"	28"	8	3/4"x30"	8	1"x7"	206.0
20"	20.00	UFR1390-S-20-U	21.60	UFR1390-C-20-(IorU)	5"	29-3/16"	34"	8	3/4"x36"	♦	♦	263.0
24"	24.00	UFR1390-S-24-U	25.80	UFR1390-C-24-(IorU)	5"	33-7/8"	34"	12	3/4"x36"	♦	♦	406.0
30"	30.00	UFR1390-S-30-U	32.00	UFR1390-C-30-(IorU)	10"	40-9/10"	38"	12	1"x42"	12	♦	601.0
36"	36.00	UFR1390-S-36-U	38.30	UFR1390-C-36-(IorU)	10"	48"	38"	12	1"x42"	12	♦	672.0
42"	-	-	44.50	UFR1390-C-42-(I)	10-3/4"	57-9/16"	46"	16	1-1/4"x52"	16	1-1/8"x6"	1240.0

I = Import Casting U = Domestic Casting or Fabrication

Note: 14" - 42" are non-returnable and may be subject to a cancellation fee.

\* 4" through 12" "C" style units can be used on ductile iron pipe with a reduced pressure rating. See page U-32.

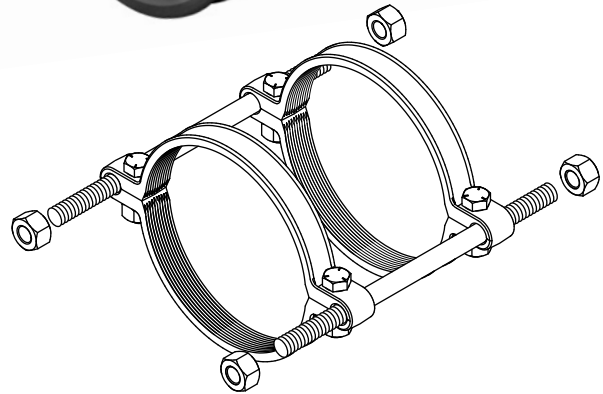
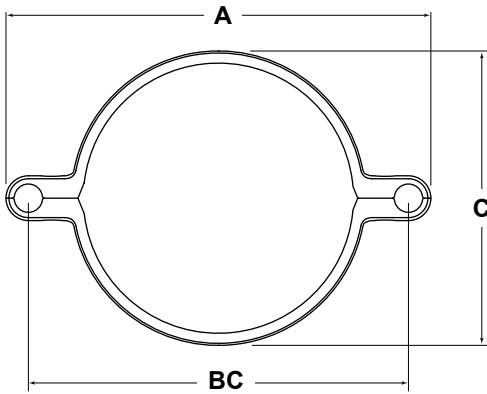
♦ Contact factory for details.

# Specifications - Uni-Flange® Series 1390-P

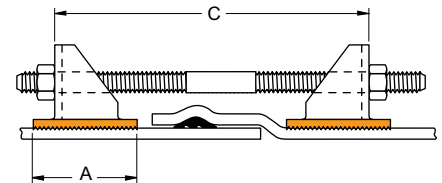
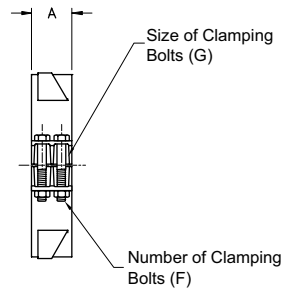
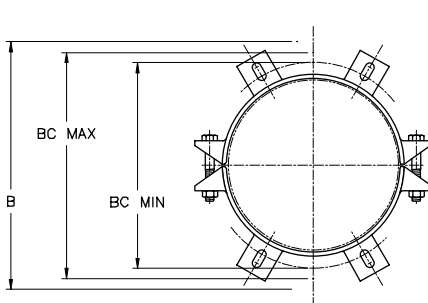
## Series 1390-P Uni-Flange® Restraint Device for Sewer Pipe Bell Joints

### Features:

- Specially designed for ASTM 3034 type PSM sewer pipe
- Optimized clamping bolt/tie rod location minimizes pipe wall stress, ideal for thin wall pipe
- Rods are high strength, low alloy steel per ANSI/AWWA C111/A21.11
- High-quality ductile iron construction per ASTM A536 4" – 15"
- Carbon steel per ASTM A36 18" – 36"
- Epoxy e-coat (15" and under) for superior corrosion resistance  
Black shop coat on 18" and larger
- 50 PSI working pressure rating 2:1 safety factor



NOM. PIPE SIZE	SEWER PIPE STYLE 1300-P		A	BC	C	RESTRAINT RODS		CLAMPING BOLTS		APPROX. WT. LBS.
	O.D.	CATALOG NUMBER				No.	SIZE	No.	SIZE	
4"	4.22	UFR1390-P-4-I	8-57/64"	7-1/2"	4-59/64"	2	3/4"x17"	4	5/8"x2-1/4"	9.4
6"	6.28	UFR1390-P-6-I	10-57/64"	9-1/2"	6-63/64"	2	3/4"x17"	4	5/8"x2-1/4"	10.3
8"	8.40	UFR1390-P-8-I	13-9/64"	11-3/4"	9-3/32"	2	3/4"x17"	4	5/8"x2-1/4"	11.3
10"	10.50	UFR1390-P-10-I	15-23/64"	14"	11-29/64"	2	3/4"x17"	4	5/8"x2-1/4"	15.1
12"	12.50	UFR1390-P-12-I	18"	16-1/4"	13-29/64"	2	3/4"x17"	4	5/8"x2-1/4"	17.5



NOM. PIPE SIZE	SEWER PIPE STYLE 1300-P		A	B APPROX.	C MAX.	RESTRAINT RODS		CLAMPING BOLTS		BC MIN.	BC MAX.	APPROX. WT. LBS.
	O.D.	CATALOG NUMBER				No.	SIZE	No.	SIZE			
15"	15.30	UFR1390-P-15-U	4"	22-1/2"	28"	4	3/4"x30"	8	7/8"x5"	18.50	20.50	100
18"	18.70	UFR1390-P-18-U	4"	26-3/16"	28"	4	3/4"x30"	8	7/8"x7"	21.88	23.88	124
21"	22.05	UFR1390-P-21-U	4"	28-13/16"	28"	4	3/4"x36"	8	7/8"x7"	24.56	26.56	137
24"	24.80	UFR1390-P-24-U	4"	32-3/16"	28"	4	3/4"x36"	8	7/8"x7"	27.94	29.94	153
27"	27.95	UFR1390-P-27-U	4"	35-3/8"	28"	4	3/4"x36"	8	7/8"x7"	31.09	33.09	170
30"												
36"												

Contact factory for larger sizes. Exact pipe O.D. is required.

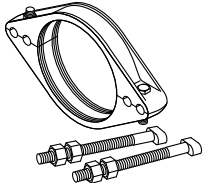
# Uni-Flange® Pipe Restraints for AWWA C909 PVC Pipe - Series 1309 Restraint Device

Series 1309 Uni-Flange® Restraint Device for C900 and C909 PVC Pipe used with Mechanical Joint / \*Push-on Fittings

Patent Pending

A fast, economical method of restraining water main fittings, valves and hydrants used in PVC piping systems.

## Series 1309-C Restraint Device for C900 PVC and C909 PVC Pipe, C906 HDPE and Ductile Iron Pipe for Mechanical Joint / Push-on Fittings



NOM. PIPE SIZE	C909 PVC PIPE WITH DUCTILE IRON PIPE O.D. STYLE 1309-C		RESTRAINING BOLTS		CLAMPING BOLTS		BOLT CIRCLE MIN	BOLT CIRCLE MAX	APPROX. Wt. LBS.
	O.D.	CATALOG No.	No. D	SIZE E	No. F	SIZE G			
4"	4.80	UFR1309-C-4-I	2	3/4" x 7"	2	5/8" x 3"	7.24"	8.00"	11.0
6"	6.90	UFR1309-C-6-I	2	3/4" x 7"	2	5/8" x 3"	9.58"	10.58"	13.0
8"	9.05	UFR1309-C-8-I	2	3/4" x 7"	2	3/4" x 3"	11.50"	12.50"	16.5
10"	11.10	UFR1309-C-10-I	4	3/4" x 7"	2	3/4" x 3-1/2"	14.25"	15.25"	28.0
12"	13.20	UFR1309-C-12-I	4	3/4" x 7"	2	7/8" x 3-1/2"	16.33"	17.33"	31.0
14"	15.30	UFR1309-C-14-U	6	3/4" x 17"	6	1-1/8" x 9"	18.44"	20.38"	85.0
16"	17.40	UFR1309-C-16-U	6	3/4" x 17"	6	1-1/8" x 9"	20.56"	22.50"	90.0
18"	19.50	UFR1309-C-18-U	8	3/4" x 17"	6	1-1/8" x 9"	22.63"	24.03"	97.0
20"	21.60	UFR1309-C-20-U	8	3/4" x 24"	6	1-1/8" x 9"	26.76"	24.76"	100.0
24"	25.80	UFR1309-C-24-U	12	3/4" x 24"	6	1-1/8" x 9"	30.90"	28.90"	162.0

### Suggested Specification - Series 1309

Restraint devices for C909 PVC pipe shall incorporate a series of serrations on the inside diameter to provide positive restraint, exact fit, full contact and support of the pipe wall. Restraint devices shall be manufactured of high strength ductile iron per ASTM A536, Grade 65-45-12 or ASTM A36 structural steel. Bolts and connecting hardware shall be of high strength low alloy material in accordance with ANSI / AWWA C111/A21.11.

All restraint devices for C909 PVC pipe shall have a water working pressure rating equivalent to the full rated pressure of the C909 PVC pipe on which they are installed, with a minimum 2:1 safety factor in any nominal pipe size. Notarized certification from the manufacturer of the restraint device shall be provided with submittals. Restraint devices for Mechanical Joint or Push-on fittings shall be Uni-Flange® 1309 or approved equal.

\* The safety factor is derated on 10" and 12" push-on joints that do not accommodate all of the 1300 T-bolts.

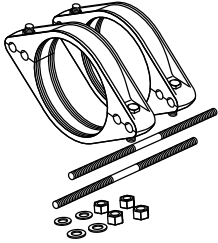
# Uni-Flange® Pipe Restraints for AWWA C909 PVC Pipe - Series 1399 Restraint Device

Series 1399 Uni-Flange® Restraint Device  
for C900 and C909 PVC Pipe Bell Joints

Patent Pending

The Uni-Flange® Series 1399 offers fast, economical, guaranteed restraint of PVC pipe bell and spigot joints in new or existing installations in any soil condition.

## Series 1399 Restrainer Split Restraint for C909 PVC Push-on Joints (New or Existing Installations)



NOM. PIPE SIZE	PIPE O.D.	PRESSURE RATING (PSI)	CATALOG NUMBER	NO. OF RODS	ROD LENGTH	ROD DIA.	■MAX BELL DIA.	APPROX. WT. (LBS)
4"	4.80	235	UFR1399-C-4-I	2	17"	3/4"	7.25	20
6"	6.90	235	UFR1399-C-6-I	2	17"	3/4"	9.83	25
8"	9.05	235	UFR1399-C-8-I	2	17"	3/4"	11.75	35
10"	11.10	235	UFR1399-C-10-I	4	24"	3/4"	14.50	72
12"	13.20	235	UFR1399-C-12-I	4	24"	3/4"	16.58	78
14"	15.30	235	UFR1399-C-14-U	6	30"	3/4"	19.50"	170
16"	17.40	235	UFR1399-C-16-U	6	30"	3/4"	21.75"	180
18"	19.50	235	UFR1399-C-18-U	6	30"	3/4"	23.88"	194
20"	21.60	235	UFR1399-C-20-U	8	36"	3/4"	26.00"	200
24"	25.80	235	UFR1399-C-24-U	12	36"	3/4"	30.15"	324

■ **Note:** Connecting rods **WILL NOT CLEAR** a pipe bell with a maximum diameter larger than the listed measurement. These diameters do not include joint deflection. Confirm pipe bell diameter before ordering.

### Suggested Specification - Series 1399

Restraint devices for bell and spigot joints of C909 PVC pipe shall consist of split restraint rings, one installed on the spigot, connected to one installed on the pipe barrel behind the bell. The restraint devices shall incorporate a series of serrations on the inside diameter to provide positive restraint, exact fit, full contact and support of the pipe wall. Restraint devices shall be of ductile iron per ASTM A536, Grade 65-45-12 or ASTM A36 structural steel, and connecting rods shall be of high strength, low alloy material in accordance with ANSI / AWWA C111/A21.11.

All Restraint devices shall have a water working pressure rating equivalent to the full rated pressure of the C909 PVC pipe they are installed on, with a minimum 2:1 safety factor in any nominal pipe size. Notarized certification from the manufacturer of the restraint device shall be provided with submittals. Restraint devices for bell and spigot joints of PVC pipe shall be Uni-Flange® 1399 or approved equal.

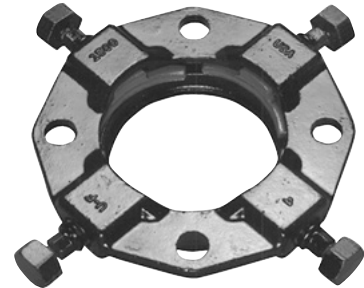
# Uni-Flange® Pipe Restraints for AWWA C909 PVC Pipe - Series 1559 Restraint Device

## MJ Retainer Gland Joint Restraint for C909 PVC Pipe

### THRUST RESTRAINT

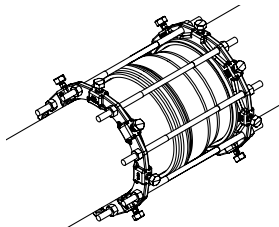
The Series 1559 restraint glands (UFR1500) incorporate a series of ductile iron restraint segments that fit in pockets around the inner surface of the specially designed gland housing. These segments are contoured to fit each pipe size and have integrally cast restraint edges along their bottom surface. After the seal is made, the Auto-Tork segment actuating screws are tightened. This locks the restraint segments onto the pipe surface, providing complete and total thrust restraint for the joint.

The restraint segments of the 1559 are the key to the design. They spread the restraining force, offering even distribution and support of the pipe. This is important with PVC pipe, especially for thinner wall classes. The restraint segments are designed with a "slot" at the top which accepts the channeled foot of the activating bolt so they cannot fall out of their pockets. The Series 1559 meets or exceeds the capabilities of "factory restrained joint pipe" at a fraction of the cost.



The unique design of the Series 1559 restraint glands offer even distribution and support of the pipe wall. This design utilizes **Ring Segments** and is an exclusive feature of the Series 1559.

### Series 1559 Restraint for C909 PVC Bell Joints (New Installations Only)



NOM. PIPE SIZE	PIPE O.D.	PRESSURE RATING (PSI)	CATALOG NUMBER	No. OF RODS	ROD LENGTH	ROD DIA.	*MAX BELL DIA.	APPROX. WEIGHT (LBS)
4"	4.80	235	UFR1559-C-4-(I or U)	4	17"	3/4"	6.62"	25
6"	6.90	235	UFR1559-C-6-(I or U)	6	17"	3/4"	8.62"	33
8"	9.05	235	UFR1559-C-8-(I or U)	6	17"	3/4"	10.88"	45
10"	11.10	235	UFR1559-C-10-(I or U)	8	24"	**5/8"	13.12"	58
12"	13.20	235	UFR1559-C-12-(I or U)	8	24"	**5/8"	15.38"	62
14"	15.30	235	UFR1559-C-14-(I or U)	10	30"	3/4"	17.88"	120
16"	17.40	235	UFR1559-C-16-(I or U)	12	30"	3/4"	20.12"	130

\* **Note:** Connecting rods **WILL NOT CLEAR** a pipe bell with a maximum diameter larger than the listed measurement. These diameters do not include joint deflection. Confirm pipe bell diameter before ordering.

\*\*10" and 12" connecting rods are 5/8" for additional bell clearance.

**I = Import Casting U = Domestic Casting**

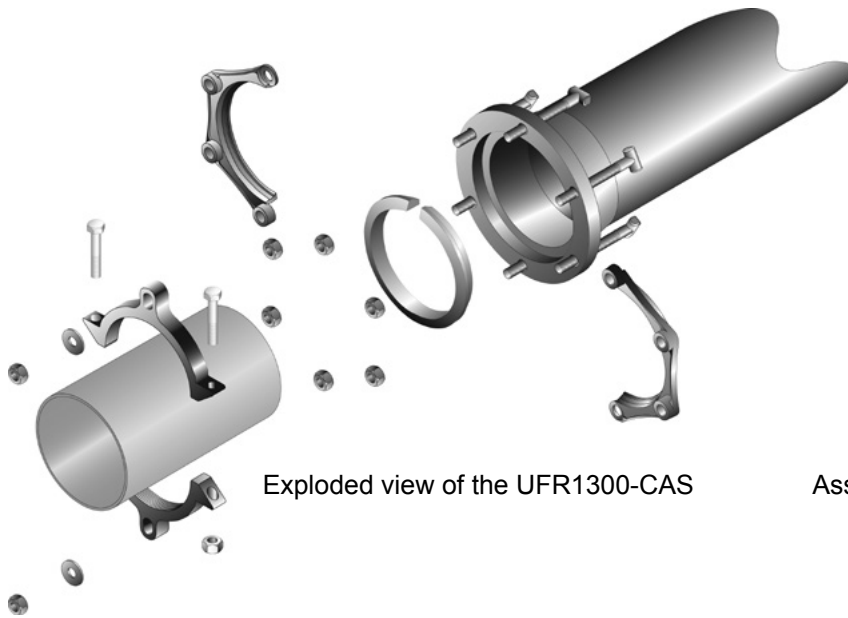
### Sample Specification - Series 1559

Restraint for C909 PVC pipe joined with standardized mechanical joint fittings shall be incorporated in the design of the follower gland and shall provide full circle contact and support of the pipe wall. Restraint shall be accomplished by a series of ring segments mechanically retained inside the gland housing and designed to grip the pipe wall in an even and uniform manner. Restraining ring segments shall be actuated by bolts featuring "Auto-Tork" twist off heads to ensure proper installation torque is applied. A safety stop on the "Auto-Tork" bolt shall limit the force applied to the ring segment against the pipe. All components of the restrainer, including the gland, bolts, and restraint segments shall be of high strength ductile iron per ASTM A536, Grade 65-45-12. Restraining devices shall be manufactured by a facility independently certified to ISO 9001 quality standard and shall be Ford / Uni-Flange® Series 1559 or approved equal.

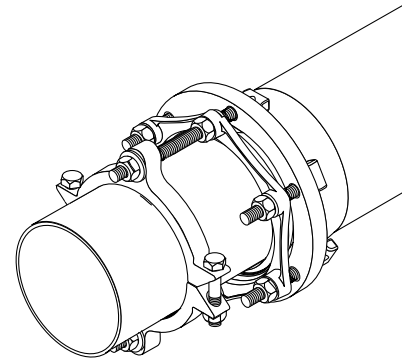
# Uni-Flange® Series 1300-CAS and 1300-SAS

## Mechanical Joint Repair Kit for Ductile Iron and PVC Pipe

The Uni-Flange® Mechanical Joint Repair Kit is designed to repair an existing mechanical joint installation. The two-piece gland and split gasket provide easy installation on existing pipe. The Uni-Flange® Mechanical Joint Repair Kit offers the ability to repair a leak while restraining the existing joint.



Exploded view of the UFR1300-CAS



Assembled view of the UFR1300-CAS



### PACKAGE CONTAINS

- 1 - Series 1300 Restrainer
- 1 - Set of high strength, low alloy T-bolts & nuts (AWWA C111)
- 1 - Split Mechanical Joint Gasket
- 1 - Split (two-piece) Mechanical Joint Gland

The kit is shrink wrapped in a weather resistant carton

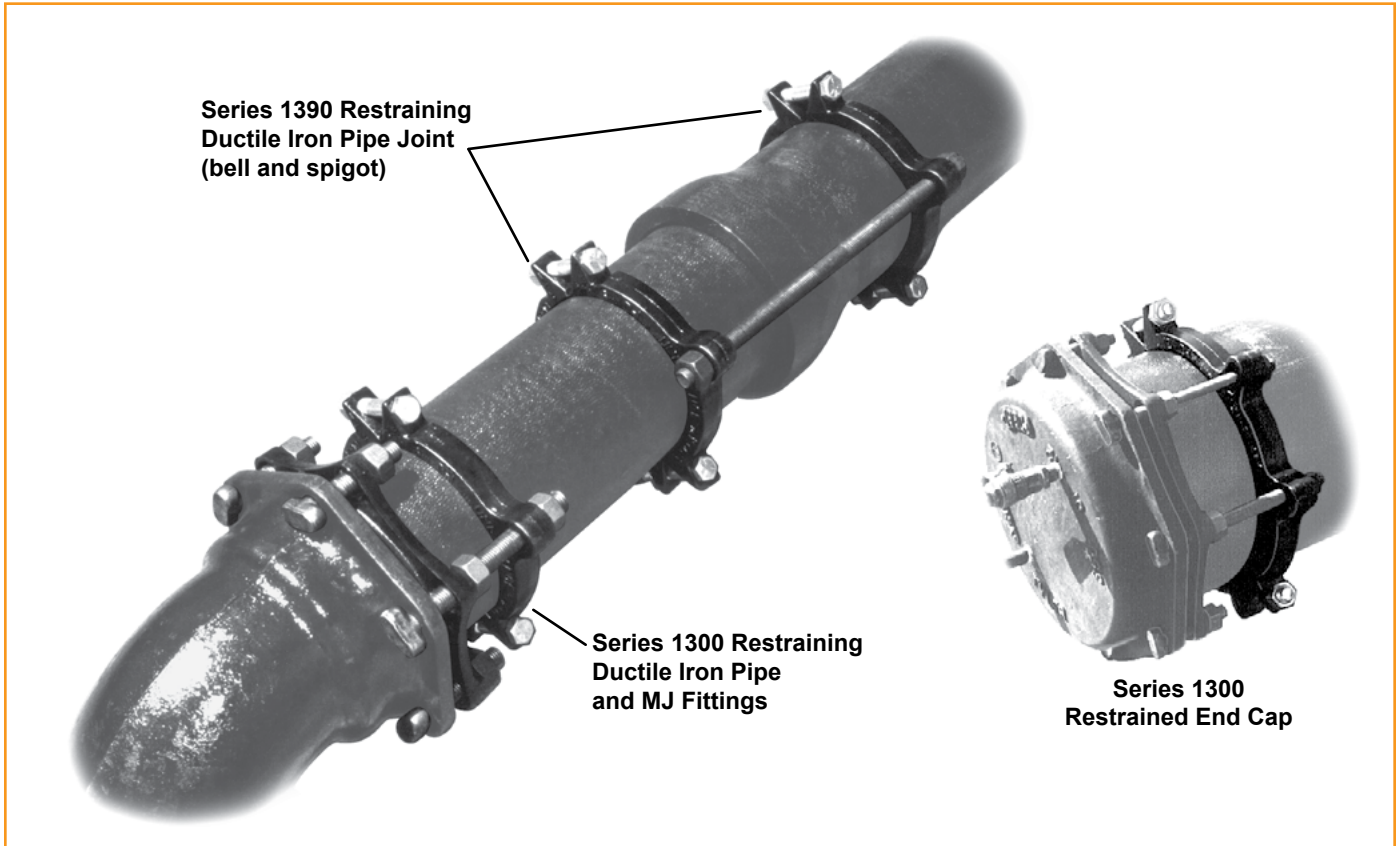
NOM. PIPE SIZE	PVC PIPE WITH STEEL PIPE O.D.		DUCTILE IRON PIPE O.D.		APPROX. WT. LBS.
	O.D.	CATALOG NUMBER	O.D.	CATALOG NUMBER	
4"	4.50	UFR1300-SAS-4-I	4.80	UFR1300-CAS-4-(IorU)	18.0
6"	6.63	UFR1300-SAS-6-I	6.90	UFR1300-CAS-6-(IorU)	22.0
8"	8.63	UFR1300-SAS-8-I	9.05	UFR1300-CAS-8-(IorU)	28.0
10"	10.75	UFR1300-SAS-10-I	11.10	UFR1300-CAS-10-(IorU)	41.0
12"	12.75	UFR1300-SAS-12-I	13.20	UFR1300-CAS-12-(IorU)	43.0

Note: The UFR1300-CAS and UFA1300-SAS are rated for a 150 PSI hydraulic seal.

I = Import Casting U = Domestic Casting

# Uni-Flange® Series 1300 and 1390 for Use on Ductile Iron Pipe

Both the 1300 and 1390 offer full circumferential contact and support of the pipe wall. This is recommended by many pipe manufacturers and is **especially important when thinner walled pipes are used, such as AWWA C151, Class 50 or the “pressure class” ductile iron pipe.** There are no set screws that may distort / point load the pipe or damage the cement mortar lining. In fact, the Series 1300 / 1390 combination is very similar to certain “factory restrained joint pipe” with easier installation, faster availability and a lower overall cost.



## Pressure Ratings, Ductile Iron Applications

Series 1300-C, 1309-C, 1390-C and 1399-C for Ductile Iron Pipe			
*NOMINAL PIPE SIZE	PIPE STANDARD	TYPE AND SIZE	*PRESSURE RATING (PSI)
4" - 12"	ANSI / A21.51 AWWA C-151	Ductile 4" - 8"	250
		Ductile 10" - 12"	200

**Note: Not recommended for use on machined end pipe or fittings.**

\* For higher pressure requirements or larger size bell and spigot restraint, see Series 1450, 1455 or 1490.

For maximum pressure requirements up to 500 PSI, see Series 2800.

Installation requires maximum torque values stated in installation instructions.

**To order: See 4" - 12" 1300-C, 1390-C and Casing Spacer product listings within this catalog.**



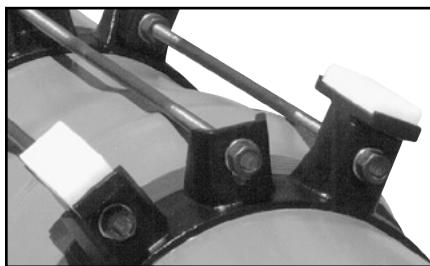
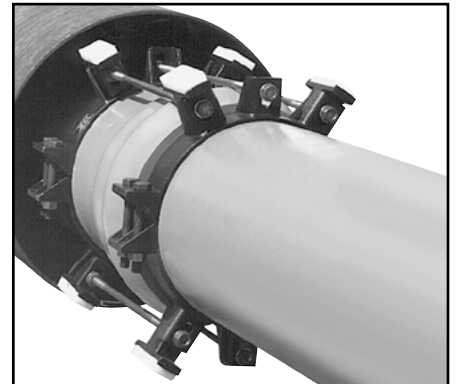
# Information - Restrained Casing Spacers

## Advantages of Uni-Flange® System for Restrained Casing Spacers for PVC Pipe and \*Ductile Iron Pipe

The Ford Restrained Casing Spacers, in 4" through 24" pipe sizes, offer several advantages over conventional methods of positioning carrier pipes within casings under roadways, railroads, bridges and canals.

### TWO IN ONE !!

- The only casing spacer to combine axial joint restraint (thrust restraint preventing pipeline separation) with casing spacer performance. It is two products in one. This reduces material inventories and installation costs. From the owner to the distributor, to the installer....everyone saves.



### BOLT-ON SIMPLICITY !!

- No special off-site fabrication is required. The Uni-Flange® system uses standardized, off the shelf components that can be added to the restrainers, on the job-site. Parts are interchangeable and the installer can "custom build" each restrained casing spacer according to job-site conditions. Lead times are substantially reduced or eliminated.

### HIGH STRENGTH COMPONENTS !!

- The restrainer and casing spacer runner supports are all manufactured of high strength ductile iron. They are stronger and tougher than conventional fabricated casing spacers, which are made from light gauge carbon or stainless steel. The Uni-Flange® restrained casing spacer is built for the rugged conditions encountered when pulling or pushing a carrier pipe through a casing.

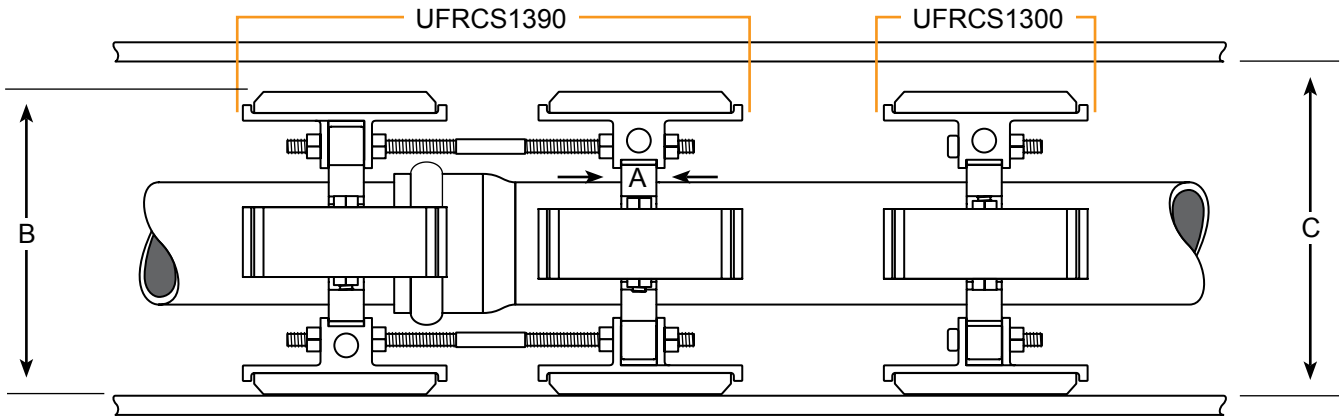


### SLIPPERY & TOUGH !!

- The Uni-Flange® Restrained Casing Spacer features runners made from Ultra High Molecular Weight Polymer. Measuring 7/8" thick by 2-1/4" wide by 5-5/8" long, these runners offer a very low coefficient of friction, helping the carrier pipe "glide" easily over the continuous surface of any casing. Dielectric insulation is provided between the carrier pipe and casing and the runners are very resistant to abrasion and impact. They will not absorb moisture. Our runners are tougher and stronger than the runner material used in most fabricated casing spacers.

\* Suitable for 4" through 12" ductile iron pipe. See page U-32.

# Specifications



## Dimensions

NOM. PIPE SIZE	ACTUAL PIPE O.D. (IN.)	A	B (APPROX.)	1390 RESTRAINT ROD		C MIN. CASING SIZE (I.D.)
				NUMBER	SIZE	
4"	4.80	1-1/8"	11-3/4"	2	3/4"x17"	12.4"
6"	6.90	1-1/8"	13-3/8"	2	3/4"x17"	14"
8"	9.05	1-1/8"	17-1/8"	2	3/4"x17"	17.875"
10"	11.10	1-3/8"	19-3/4"	4	3/4"x24"	21.5"
12"	13.20	1-3/8"	21-7/8"	4	3/4"x24"	23"
14"	15.30	4"	26-3/8"	6	3/4"x30"	27"
16"	17.40	4"	28-3/8"	6	3/4"x30"	30"
18"	19.50	5"	30-1/2"	8	3/4"x30"	31"
20"	21.60	7"	32-1/4"	8	3/4"x36"	33"
24"	25.80	7"	38-1/4"	12	3/4"x36"	39"
30"	32.00	10"	42-3/8"	10	1"x48"	44.25"
36"	38.30	10"	50"	12	1"x48"	51.75"

\* Working pressure rating for the restrained carrier pipe is a minimum 2:1 safety factor on all sizes.  
 Note: Restrained Casing Spacers are also available for PVC pipe with steel equivalent OD (IPS) and up to 36" at a reduced pressure rating. Contact Ford Meter Box for details.

## MATERIALS AND SPECIFICATIONS

Restrainer Body and Runner Supports:	High strength ductile iron, ASTM A536, 65,000 PSI tensile strength, 45,000 PSI yield strength, 12% elongation capability (Grade 65-45-12)
Color Code:	Black for PVC with ductile iron pipe O.D., gray for PVC with steel pipe O.D.
Restraining Rods / Nuts:	High strength, low alloy ASTM A242, ANSI / AWWA C111 / A21.11
Clamping Bolts / Nuts:	SAE J429, Grade 5
Runners:	Ultra High Molecular Weight Polymer Tensile Impact: 600-1200 ft. lbs. / in. Coefficient of Friction: .14 - .17 ASTM D-1894

### Suggested Specification - Casing Spacers

Carrier pipes to be installed inside casings shall be installed with self-restraining casing spacers. Casing spacers shall provide axial thrust restraint to prevent pipe joint separation during and after installation. They shall also provide dielectric insulation between the carrier pipe and the casing and facilitate installation of the carrier pipe into the casing.

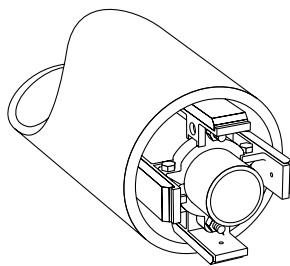
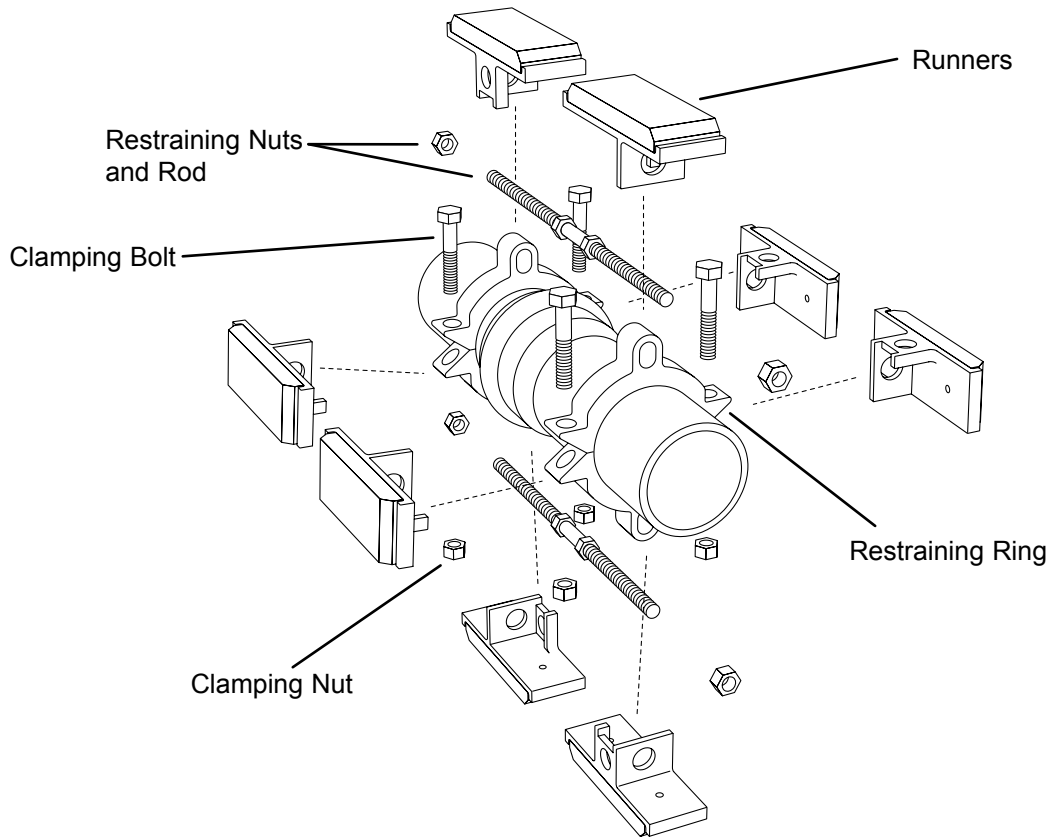
Restrained casing spacers shall be manufactured of high strength ductile iron per ASTM A536, Grade 65-45-12. Restraining rods shall be of high strength, low alloy material meeting the requirements of ANSI / AWWA C111 / A21.11. Casing spacer runners shall be of ultra high molecular weight polymer.

Restrained casing spacers shall be provided at all pipe bell joints. In addition, casing spacers shall be installed every ten feet of the pipeline to support the pipe barrel and the weight of its contents. Restrained casing spacers shall be Uni-Flange® Series UFRCS1300 (pipe barrel) or UFRCS1390 (for pipe bell joints) or approved equal.

# How to Order Restrained Casing Spacers

## Casing Spacers for Support of 4", 6" and 8" Pipe Barrel and Pipe Bell Joint

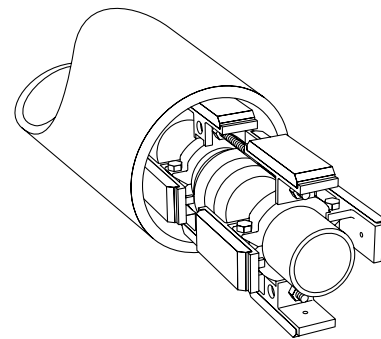
The indicated parts are provided when ordering the catalog number for pipe bell joint casing spacers from the chart shown below. Note: The UFRCS1390 unit also provides restraint when used at pipe bell joint. See the order chart below.



### CASING SPACER FOR SUPPORT OF PIPE BARREL

NOM. PIPE SIZE	PIPE O.D. (INCHES)	CATALOG NUMBER	NUMBER OF RUNNERS	APPROX. SHIPPING WEIGHT
4"	4.80	UFRCS1300-C-4-(I or U)	4	15.9
6"	6.90	UFRCS1300-C-6-(I or U)	4	17.3
8"	9.05	UFRCS1300-C-8-(I or U)	4	22.7

UFRCS1300-S-I style is available in sizes 4" - 8".



### RESTRAINED CASING SPACER FOR PIPE BELL JOINT

NOM. PIPE SIZE	PIPE O.D. (INCHES)	CATALOG NUMBER	NUMBER OF RUNNERS	APPROX. SHIPPING WEIGHT
4"	4.80	UFRCS1390-C-4-(I or U)	8	34.5
6"	6.90	UFRCS1390-C-6-(I or U)	8	37.2
8"	9.05	UFRCS1390-C-8-(I or U)	8	48.1

UFRCS1390-S-I style is available in sizes 4" - 8".

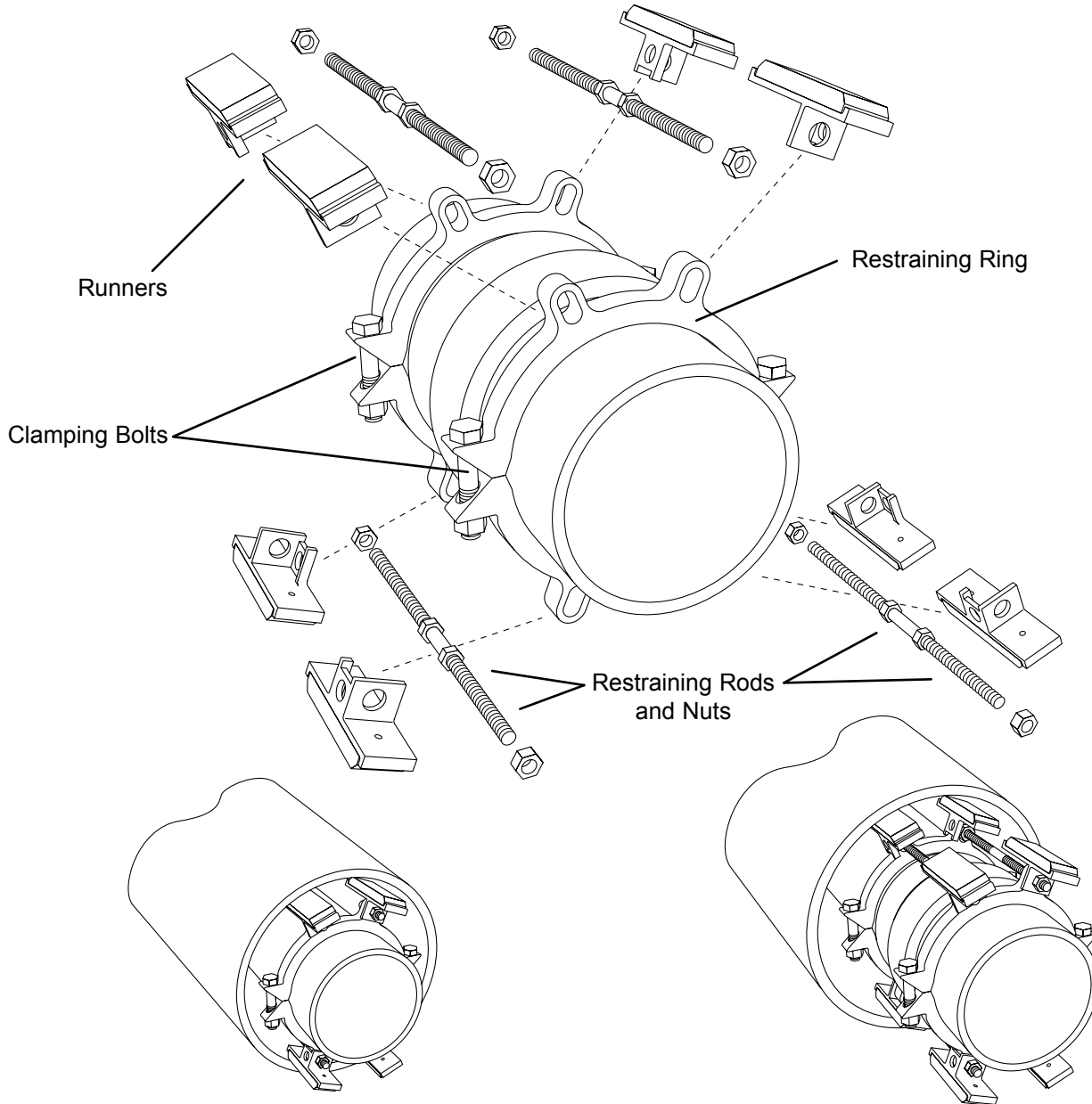
I = Import Casting U = Domestic Casting

See page 34 for minimum casing size (I.D.).

# How to Order Restrained Casing Spacers

## Casing Spacers for Support of 10" and 12" Pipe Barrel and Pipe Bell Joint

The indicated parts are provided when ordering the catalog number for pipe bell joint casing spacers from the chart shown below. Note: The UFRCS1390 unit also provides restraint when used at pipe bell joint. See the order chart below.



**CASING SPACER FOR SUPPORT OF PIPE BARREL**

NOM. PIPE SIZE	PIPE O.D. (INCHES)	CATALOG NUMBER	NUMBER OF RUNNERS	APPROX. SHIPPING WEIGHT
10"	11.10	UFRCS1300-C-10-(I or U)	4	30.4
12"	13.20	UFRCS1300-C-12-(I or U)	4	32.2

UFRCS1300-S-I style is available in sizes 10" and 12".

**RESTRAINED CASING SPACER FOR PIPE BELL JOINT**

NOM. PIPE SIZE	PIPE O.D. (INCHES)	CATALOG NUMBER	NUMBER OF RUNNERS	APPROX. SHIPPING WEIGHT
10"	11.10	UFRCS1390-C-10-(I or U)	8	69.3
12"	13.20	UFRCS1390-C-12-(I or U)	8	72.8

UFRCS1390-S-I style is available in sizes 10" and 12".

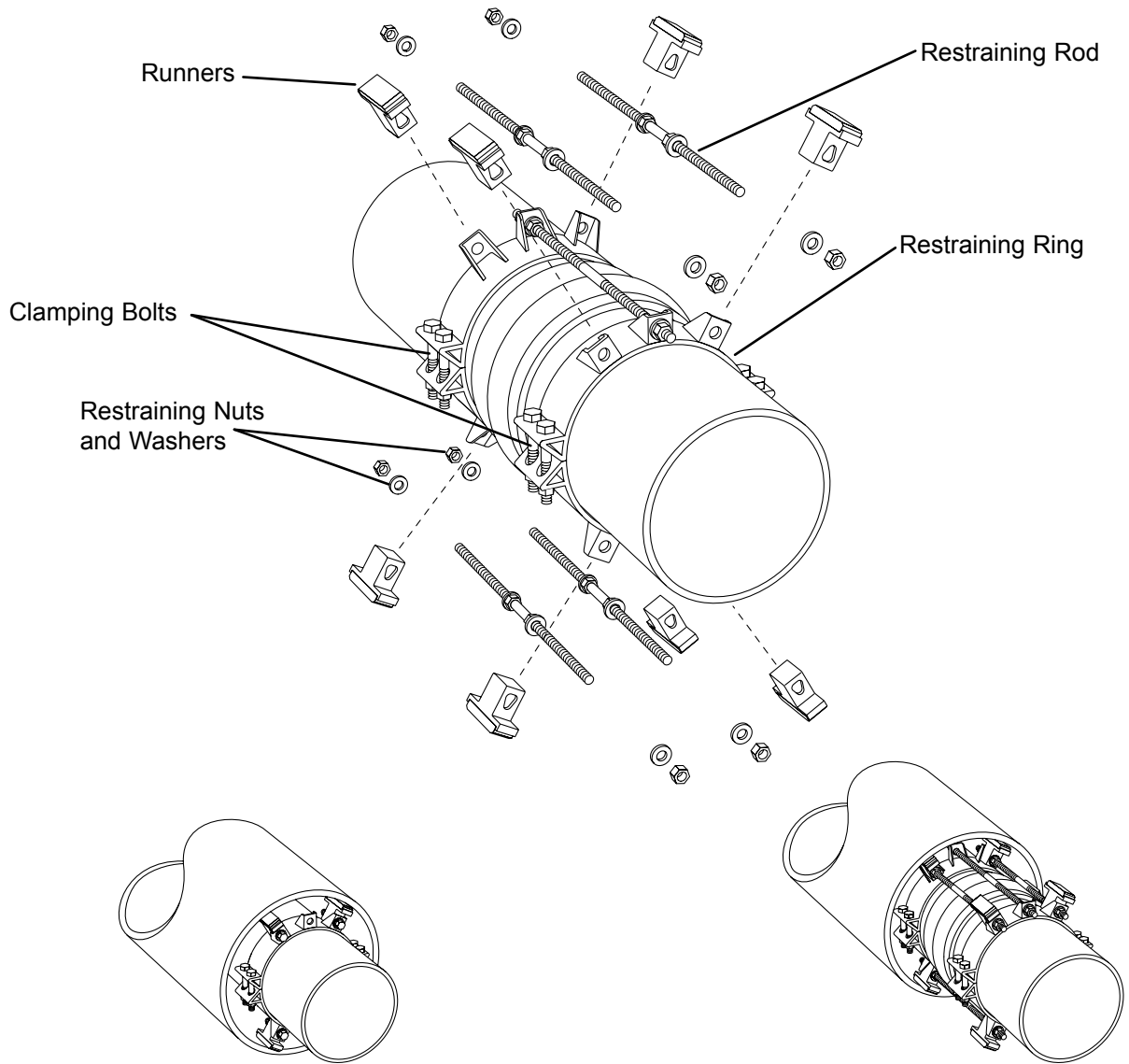
I = Import Casting U = Domestic Casting

See page 34 for minimum casing size (I.D.).

# How to Order Restrained Casing Spacers

## Casing Spacers for Support of 14" through 24" Pipe Barrel and Pipe Bell Joint

The indicated parts are provided when ordering the catalog number for pipe bell joint casing spacers from the chart shown below. Note: The UFRCS1390 unit also provides restraint when used at pipe bell joint. See the order chart below.



**CASING SPACER FOR SUPPORT OF PIPE BARREL**

NOM. PIPE SIZE	PIPE O.D. (INCHES)	CATALOG NUMBER	NUMBER OF RUNNERS	APPROX. SHIPPING WEIGHT
14"	15.30	UFRCS1300-C-14-(IorU)	4	77.1
16"	17.40	UFRCS1300-C-16-(IorU)	4	82.4
18"	19.50	UFRCS1300-C-18-(IorU)	4	108.1
20"	21.60	UFRCS1300-C-20-(IorU)	4	134.1
24"	25.80	UFRCS1300-C-24-(IorU)	4	197.1

UFRCS1300-S-U style is available in sizes 14" - 24".  
UFRCS1300-C-U style is available in sizes 30" - 36".

**RESTRAINED CASING SPACER FOR PIPE BELL JOINT**

NOM. PIPE SIZE	PIPE O.D. (INCHES)	CATALOG NUMBER	NUMBER OF RUNNERS	APPROX. SHIPPING WEIGHT
14"	15.30	UFRCS1390-C-14-(IorU)	8	170.9
16"	17.40	UFRCS1390-C-16-(IorU)	8	183.8
18"	19.50	UFRCS1390-C-18-(IorU)	8	240.0
20"	21.60	UFRCS1390-C-20-(IorU)	8	292.0
24"	25.80	UFRCS1390-C-24-(IorU)	8	432.0

UFRCS1390-S-U style is available in sizes 14" - 24".  
UFRCS1390-C-U style is available in sizes 30" - 36".

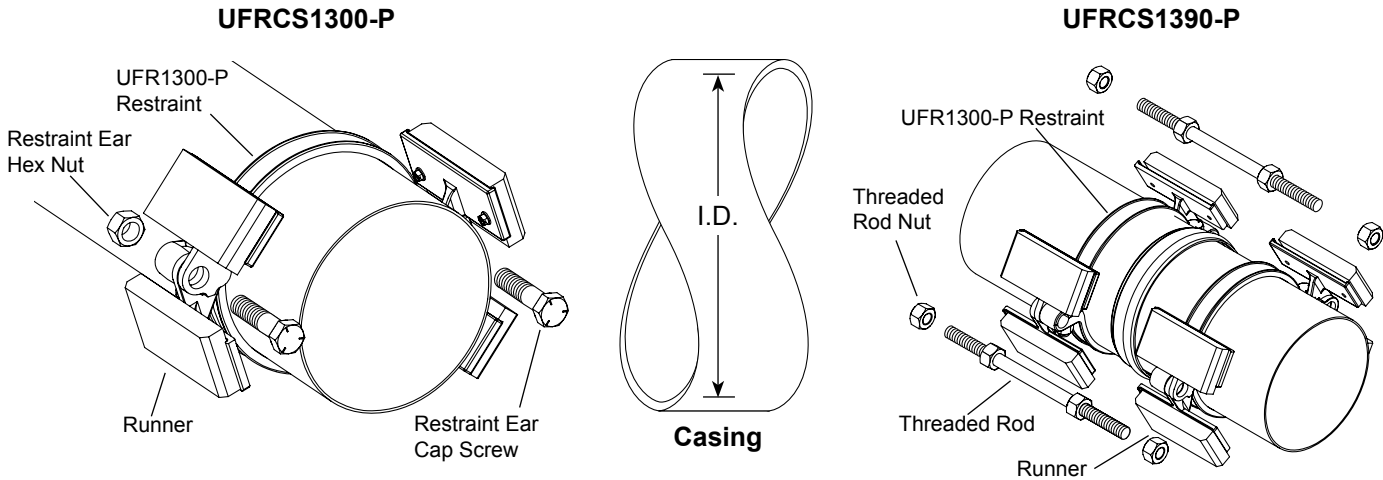
I = Import Casting U = Domestic Casting or Fabrication

# How to Order Restrained Casing Spacers for Sewer Pipe

## Casing Spacers for Support of 4" through 12" Pipe Barrel and Pipe Bell Joint

### Features:

- Ductile iron per ASTM A53, 65,000 PSI tensile strength, 45,000 PSI yield strength 12% elongation capability. Grade 65-45-12 (4" – 15")
- Carbon steel per ASTM A36 18" – 36"
- Restraining Rods/Nuts: High strength, low alloy ASTM A242, ANSI/AWWA C111
- Clamping Bolts / Nuts: SAE J429, Grade 5
- Runners:
  - Ultra high molecular weight polymer
  - Tensile Impact: 600-1200 ft. lbs. / in<sup>2</sup>
  - Coefficient of Friction: .10 ASTM D-1894
  - Dielectric Constant: 2.3 ASTM D-150
  - Temperature Range: -220 F. to +1800 F. continuous service
- Runners installed on tie rod ears or clamping bolt pads
- The UFRCS1390 provides joint restraint. The UFRCS1300 provides pipe support only
- 60 PSI rated working pressure with a 2:1 safety factor



### CASING SPACER FOR SUPPORT OF PIPE BARREL - UFRCS1300-P

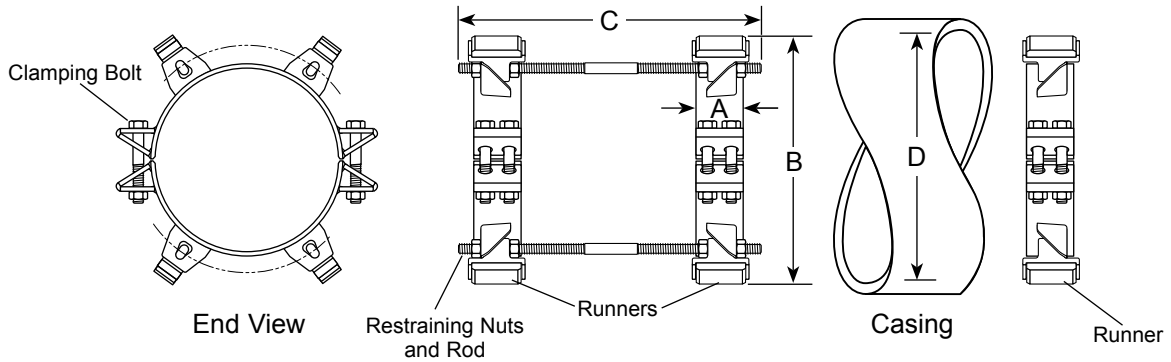
NOM. PIPE SIZE	ACTUAL PIPE O.D.	CATALOG NUMBER	APPROX. SHIPPING WEIGHT	MIN. CASING SIZE (ID)	RUNNER QTY.
4"	4.22"	UFRCS1300-P-4-I	11.0	10-1/2"	4
6"	6.28"	UFRCS1300-P-6-I	11.0	12-1/8"	4
8"	8.40"	UFRCS1300-P-8-I	12.0	14-1/2"	4
10"	10.50"	UFRCS1300-P-10-I	14.0	16-3/4"	4
12"	12.50"	UFRCS1300-P-12-I	15.5	19-1/8"	4

### RESTRAINED CASING SPACER FOR PIPE BELL JOINT - UFRCS1390-P

NOM. PIPE SIZE	ACTUAL PIPE O.D.	CATALOG NUMBER	APPROX. SHIPPING WEIGHT	MIN. CASING SIZE (ID)	RUNNER QTY.
4"	4.22"	UFRCS1390-P-4-I	23.0	10-1/2"	8
6"	6.28"	UFRCS1390-P-6-I	24.0	12-1/8"	8
8"	8.40"	UFRCS1390-P-8-I	26.0	14-1/2"	8
10"	10.50"	UFRCS1390-P-10-I	30.0	16-3/4"	8
12"	12.50"	UFRCS1390-P-12-I	32.5	19-1/8"	8

# How to Order Restrained Casing Spacers for Sewer Pipe

## Casing Spacers for Support of 15" through 24" Pipe Barrel and Pipe Bell Joint



### CASING SPACER FOR SUPPORT OF PIPE BARREL - UFRCS1300-P

NOM. PIPE SIZE	O.D.	CATALOG NUMBER	A	B APPROX.	C APPROX.	D MIN CASING SIZE (I.D.)	RUNNER QTY.	APPROX. WT. LBS.
15"	15.30	UFRCS1300-P-15-U	4"	24-7/8"	N/A	26"	4	50.0
18"	18.70	UFRCS1300-P-18-U	4"	28-9/16"	N/A	30"	4	62.0
21"	22.05	UFRCS1300-P-21-U	4"	31-3/16"	N/A	32"	4	68.5
24"	24.80	UFRCS1300-P-24-U	4"	34-9/16"	N/A	36"	4	76.5
27"	27.95	UFRCS1300-P-27-U	4"	35-3/8"	36"	38-1/2"	4	85.0
30"	32.00	UFRCS1300-P-30-U	Contact Factory					
36"	38.30	UFRCS1300-P-36-U	Contact Factory					

Contact factory for larger sizes. Exact pipe and bell OD are required.

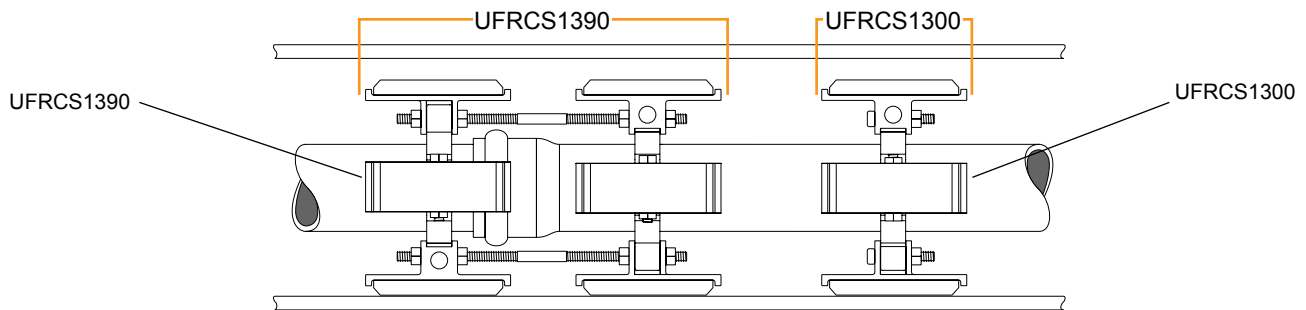
### RESTRAINED CASING SPACER FOR PIPE BELL JOINT - UFRCS1390-P

NOM. PIPE SIZE	O.D.	CATALOG NUMBER	A	B APPROX.	C APPROX.	D MIN CASING SIZE (I.D.)	RUNNER QTY.	APPROX. WT. LBS.
15"	15.30	UFRCS1390-P-15-U	4"	24-7/8"	30"	26"	4	132
18"	18.70	UFRCS1390-P-18-U	4"	28-9/16"	30"	30"	4	156
21"	22.05	UFRCS1390-P-21-U	4"	31-3/16"	30"	32"	4	169
24"	24.80	UFRCS1390-P-24-U	4"	34-9/16"	30"	36"	4	185
27"	27.95	UFRCS1390-P-27-U	4"	35-3/8"	36"	38-1/2"	4	170
30"	32.00	UFRCS1390-P-30-U	Contact Factory					
36"	38.30	UFRCS1390-P-36-U	Contact Factory					

Contact factory for larger sizes. Exact pipe and bell OD are required.

## UFRCS Installation Recommendations

### Uni-Flange® System for Restrained Casing Spacers



### Installation Recommendations

Each pipe bell joint within the casing should be restrained and supported with a UFRCS1390 restrained casing spacer. Additionally, Uni-Flange® engineers recommend a UFRCS1300 be installed every ten feet of the pipeline. The UFRCS1300 casing spacer supports the weight of the pipe barrel and its contents.

CARRIER PIPE SIZE	RUNNER LOCATION AND QUANTITY
4" - 8"	Runners installed on tie rod ears and clamping bolt pads. Total (4) on the UFRCS1300 and (8) on the UFRCS1390.
10" - 36"	Runners installed on tie rod ears. Total (4) for UFRCS1300 and (8) for UFRCS1390.

# Uni-Flange® Series 1400 Wedge Action Restraint

## Wedge Action MJ Retainer Gland Joint Restraint for Ductile Iron Pipe

WORKING PRESSURE - 3" THROUGH 16" 350 PSI

- 18" THROUGH 48" 250 PSI

### Actuating Screw -

Ductile iron wedge actuating screw, with the Auto-Tork break-away head design, ensures proper torque during installation.

3" THROUGH 48" SIZES - 100% DUCTILE IRON CONSTRUCTION

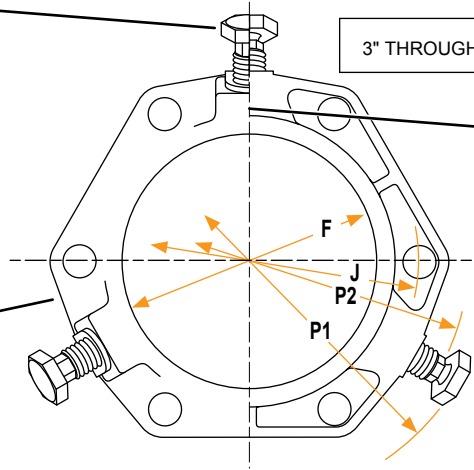
Wedges are ductile iron and heat treated to a hardness of 370 BHN minimum.

### Gland -

Gland body is of high strength ductile iron per ASTM A536, Grade 65-45-12. Compatible with all mechanical joints conforming to ANSI / AWWA C111 / A21.11.

### Color Code:

All components black epoxy coated applied by the e-coat process.



The Uni-Flange® Series 1400 offers a minimum 2:1 safety factor at the full rated pressure of the device, in all sizes, when tested in dead-end situations.

**Note:** UFR1400s are not to be used with plain end fittings.  
For higher pressure rating applications, see Series 2800.

**Note:** The Series 1400 can be re-used or re-installed after the Auto-Tork screw heads have been twisted off. In this case, use a torque wrench to tighten the hex head of the wedge activating screw to 75 - 110 ft-lb.

Consult the Ford Meter Box website for the most current installation instructions.



# Uni-Flange® Series 1400 Wedge Action Restraint

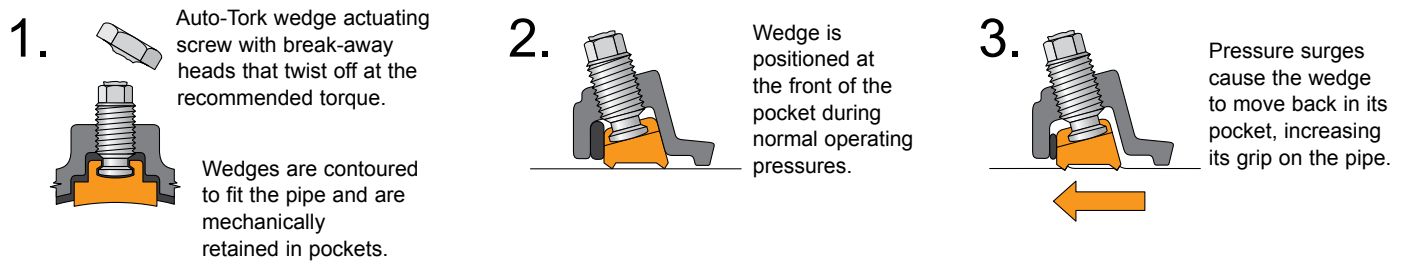
## Wedge Action MJ Retainer Gland for Ductile Iron Pipe

### HISTORY

The Series 1400 was originally designed to provide joint restraint for ductile iron pipelines installed in areas subject to earthquakes. Its unique “controlled expansion and flexibility” feature has allowed it to withstand several major earthquakes; one as large as magnitude 7.7 in 1983 and another of magnitude 7.8 in 1993. Uni-Flange® has adapted this technology to AWWA standards and dimensions.

### HOW IT WORKS

The Series 1400 is a mechanical joint restraining gland, incorporating individually actuated wedges located around the circumference of the pipe. When the specially designed wedge actuating screws are tightened, the teeth on the bottom of each wedge lock onto the pipe surface. Under normal operating conditions, this is all the restraint that is required. If external forces cause the pipe to move, the wedge teeth remain locked on the pipe and the wedge moves against the actuating screw, enclosed in its ductile iron pocket. This feature allows the joint to prevent separation yet remain resilient and flexible after assembly. In high pressure applications, or when surge pressures occur, the 1400 uses the line pressure to increase its restraining grip on the pipe. If the pressure decreases, the wedge returns to its original position and controlled expansion and flexibility are available again.



### ADVANTAGES OF THE SERIES 1400

- **Eliminates** the need of costly and time consuming concrete thrust blocks.
- **Auto-Tork wedge actuating screws ensure proper installation.** Auto-Tork screws are designed with a break-away head that twists off at the recommended torque, leaving a hex head in case future maintenance or removal is required. This gives a visual indicator and ensures correct installation every time.
- **Wedges are contoured to fit the pipe.** This provides greater surface area contact, increasing the restraint capability and distributing the restraining force. The Series 1400 can be used on any thickness or class of ductile iron pipe.
- **High Pressure Capabilities.** The Series 1400 is rated at 350 PSI in 3" - 16" nominal sizes, 250 PSI in 18" - 48". Minimum 2:1 safety factor in all sizes. For higher pressure rating applications, see Series 2800.
- **Proven Technology.** The Series 1400 design has decades of successful field service.
- **The Series 1400 Offers 5° deflection** on sizes 3"-12", **3° deflection** on sizes 14"-24" and **1° deflection** on 30" through 48" sizes. This advantage is provided even after installation and pressurization.
- **No special tools necessary.** Designed for use with standard mechanical joint bells conforming to AWWA C111. The same wrench used to tighten the T-bolt nuts can be used on the wedge actuating screws.
- **Wedges are mechanically retained in pockets.** The Series 1400 wedges cannot fall out! All necessary parts show up at the job site and no parts are lost in the trench if the gland is removed from the pipe for system maintenance or relocation.
- **Used with ordinary ductile iron pipe and mechanical joint sockets.** There is no need to order, pay for and wait for special factory fabricated parts. Totally field adaptable; no beveling, special segments or welded rings required.
- **4" - 12" FM approved, and 4" - 48" UL listed.** Contact factory for details.

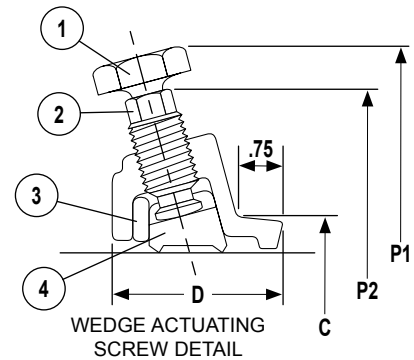
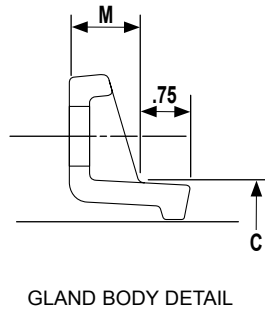
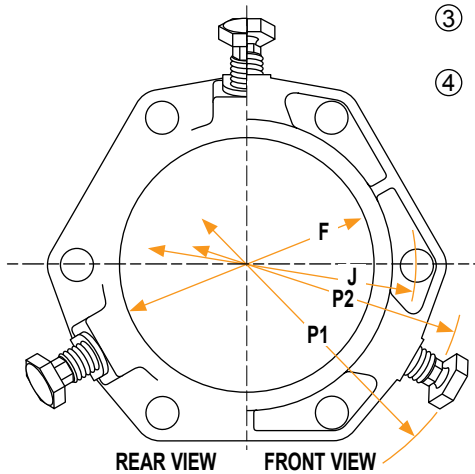


◁FM▷ Approved

# Uni-Flange® Series 1400 Wedge Action Restraint

## Wedge Action MJ Retainer Gland Joint Restraint for Ductile Iron Pipe

- ① Auto-Tork break-away head, 1-1/4" across the flat (same as 3/4" heavy hex nut)
- ② 5/8" hex-head, operating screw
- ③ Rubber spacer (positions wedge during assembly)
- ④ Wedge



### Series 1400 MJ Retainer Gland for Ductile Iron Pipe

NOM. PIPE SIZE	PIPE O.D. (INCHES)	CATALOG NUMBER	PRESSURE RATING (PSI)	No. OF WEDGES	APPROX. WEIGHT (LBS.)	P1*	P2**	C	D	F	M	J	No. OF BOLT OLES
3"	3.96	UFR1400-D-3-(I or U)	350	2	6.0	11.04	9.06	4.84	2.65	4.06	0.68	6.19	4
4"	4.80	UFR1400-D-4-(I or U)	350	2	7.5	11.9	10.0	5.92	2.65	4.90	0.88	7.50	4
6"	6.90	UFR1400-D-6-(I or U)	350	3	11.0	14.0	12.1	8.02	2.65	7.00	0.88	9.50	6
8"	9.05	UFR1400-D-8-(I or U)	350	4	14.5	16.2	14.3	10.17	2.65	9.15	1.10	11.75	6
10"	11.10	UFR1400-D-10-(I or U)	350	6	22.0	18.2	16.3	12.22	2.75	11.20	1.10	14.00	8
12"	13.20	UFR1400-D-12-(I or U)	350	8	28.0	20.3	18.4	14.32	2.75	13.30	1.10	16.25	8
14"	15.30	UFR1400-D-14-(I or U)	350	10	42.0	22.9	20.9	16.40	3.00	15.44	1.50	18.75	10
16"	17.40	UFR1400-D-16-(I or U)	350	12	50.0	25.0	23.0	18.50	3.00	17.54	1.56	21.00	12
18"	19.50	UFR1400-D-18-(I or U)	250	12	67.0	28.1	25.8	20.60	3.05	19.64	1.65	23.25	12
20"	21.60	UFR1400-D-20-(I or U)	250	14	75.0	30.2	27.9	22.70	3.10	21.75	1.70	25.50	14
24"	25.80	UFR1400-D-24-(I or U)	250	16	85.0	34.4	32.1	26.90	3.20	25.94	1.85	30.00	16
30"	32.00	***UFR1400-D-30-(I or U)	250	20	221.0	40.6	38.6	33.29	3.55	32.17	2.25	36.88	20
36"	38.30	***UFR1400-D-36-(I or U)	250	24	256.0	46.9	44.9	39.59	3.76	38.47	2.25	43.75	24
42"	44.50	***UFR1400-D-42-(I or U)	250	28	475	53.9	53.9	45.79	5.68	44.79	2.56	50.62	28
48"	50.80	***UFR1400-D-48-(I or U)	250	32	573	60.2	60.2	52.09	5.68	51.09	2.56	57.50	32

I = Import Casting U = Domestic Casting

All dimensions in inches unless otherwise stated.

\* Maximum O.D. of gland on pipe before break-away heads have been removed (as received).

\*\* Maximum O.D. of gland on pipe after wedges have been activated and break-away heads have been removed.

\*\*\* 30" through 48" sizes include a Uni-Seal gasket.

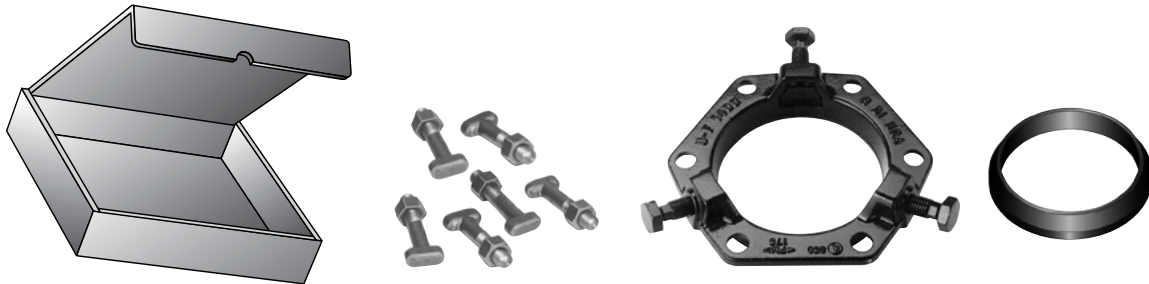
Note: 4" - 12" oversized 1400 retainer glands are available for gray cast iron pipe by adding "-XL" to the end of the catalog number. Contact factory for details.

Note: Not to be used on plain end fittings.

# Uni-Flange® Series 1400 Wedge Action Restraint

## Wedge Action MJ Retainer Gland Joint Restraint for Ductile Iron Pipe

### SERIES 1400 WEDGE ACTION RETAINER GLAND PACKAGED WITH ACCESSORIES



#### PACKAGE CONTAINS

- 1 - Series 1400 wedge action retainer gland
- 1 - Set of high strength, low alloy T-bolts & nuts (AWWA C111)
- 1 - Mechanical joint gasket (AWWA C111) 3" - 24" sizes, Uni-Seal Gasket 30" - 48" sizes

*3" through 12" sizes are shrink wrapped in a weather resistant carton. 14" through 48" sizes are bulk packaged.*

#### Series 1400-DA Retainer MJ Retainer Gland for Ductile Iron Pipe with Accessories

NOM. PIPE SIZE	PIPE O.D. (INCHES)	CATALOG NUMBER	NO. OF WEDGES	PRESSURE RATING (PSI)	APPROX. WEIGHT (LBS.)
3"	3.96	UFR1400-DA-3-(I or U)	2	350	8.0
4"	4.80	UFR1400-DA-4-(I or U)	2	350	10.5
6"	6.90	UFR1400-DA-6-(I or U)	3	350	15.5
8"	9.05	UFR1400-DA-8-(I or U)	4	350	19.8
10"	11.10	UFR1400-DA-10-(I or U)	6	350	29.5
12"	13.20	UFR1400-DA-12-(I or U)	8	350	35.0
14"	15.30	UFR1400-DA-14-(I or U)	10	350	52.0
16"	17.40	UFR1400-DA-16-(I or U)	12	350	62.0
18"	19.50	UFR1400-DA-18-(I or U)	12	250	79.0
20"	21.60	UFR1400-DA-20-(I or U)	14	250	88.0
24"	25.80	UFR1400-DA-24-(I or U)	16	250	101.0
30"	32.00	UFR1400-DA-30-(I or U)	20	250	262.0
36"	38.30	UFR1400-DA-36-(I or U)	24	250	306.0
42"	44.50	UFR1400-DA-42-(I or U)	28	250	575.0
48"	50.80	UFR1400-DA-48-(I or U)	32	250	690.0

30" thru 48" sizes include a Uni-Seal Gasket.

**I = Import Casting U = Domestic Casting**

**Note: Not to be used on plain end fittings.**

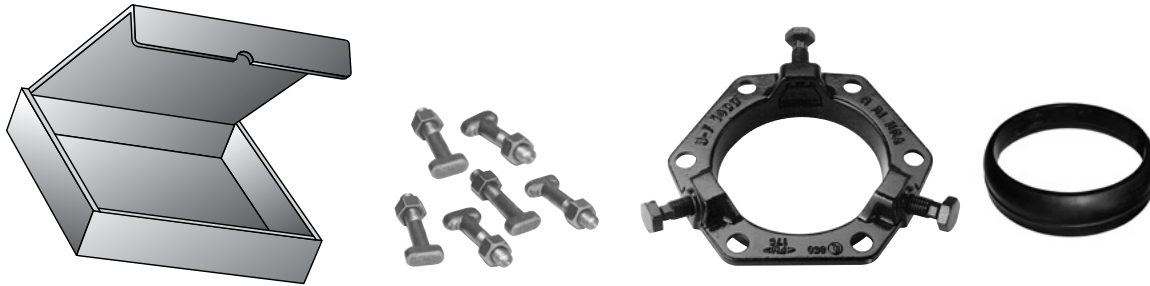
#### Sample Specification – Series 1400

Restraint for standardized mechanical joints shall be incorporated in the design of the follower gland and shall impart multiple points of wedge action against the pipe, increasing its resistance as the pressure increases. The assembled joint shall maintain its flexibility after burial and shall maintain its integrity by a controlled and limited expansion of each joint during the wedging action. Restraining glands shall be manufactured of high strength ductile iron, conforming to the requirements of ASTM A536. Wedges shall be contoured to properly fit on the pipe and shall be manufactured of ductile iron, heat-treated to a minimum hardness of 370 BHN. Dimensions of the glands shall be such that they can be used with the standardized mechanical joint bell and tee head bolts conforming to the requirements of ANSI/AWWA C111/A21.11 and ANSI/AWWA C153/A21.53 of latest revision. Twist-off heads shall be incorporated in the design of the wedge actuating screws to ensure proper torque. All ductile iron components shall be phosphate washed and coated with an electrostatically applied, heat cured epoxy coating. The restraining device shall have a water working pressure rating of 350 PSI in sizes 3" through 16" and 250 PSI in sizes 18" and larger with a safety factor of at least 2:1 against separation when tested in a dead-end situation. Restraint device shall be Uni-Flange Series 1400 or approved equal.

# Uni-Flange® Series 1400 Wedge Action Restraint

## Wedge Action MJ Retainer Gland Joint Restraint for Ductile Iron Pipe

### SERIES 1400 WEDGE ACTION RETAINER GLAND PACKAGED WITH ACCESSORIES



#### PACKAGE CONTAINS

- 1 - Series 1400 wedge action retainer gland
- 1 - Set of high strength, low alloy T-bolts & nuts (AWWA C111)
- 1 - SO-EZ gasket 3" - 12" sizes (AWWA C111)

3" through 12" sizes are shrink wrapped in a weather resistant carton.

#### Series 1400-ZA Retainer MJ Retainer Gland for Ductile Iron Pipe with Accessories

NOM. PIPE SIZE	PIPE O.D. (INCHES)	CATALOG NUMBER	NO. OF WEDGES	PRESSURE RATING (PSI)	APPROX. WEIGHT (LBS.)
3"	3.96	UFR1400-ZA-3-(I or U)	2	350	8.0
4"	4.80	UFR1400-ZA-4-(I or U)	2	350	10.5
6"	6.90	UFR1400-ZA-6-(I or U)	3	350	15.5
8"	9.05	UFR1400-ZA-8-(I or U)	4	350	19.8
10"	11.10	UFR1400-ZA-10-(I or U)	6	350	29.5
12"	13.20	UFR1400-ZA-12-(I or U)	8	350	35.0

I = Import Casting U = Domestic Casting

Note: Not to be used on plain end fittings.

#### Sample Specification – Series 1400

Restraint for standardized mechanical joints shall be incorporated in the design of the follower gland and shall impart multiple points of wedge action against the pipe, increasing its resistance as the pressure increases. The assembled joint shall maintain its flexibility after burial and shall maintain its integrity by a controlled and limited expansion of each joint during the wedging action. Restraining glands shall be manufactured of high strength ductile iron conforming to the requirements of ASTM A536. Wedges shall be contoured to properly fit on the pipe and shall be manufactured of ductile iron, heat-treated to a minimum hardness of 370 BHN. Dimensions of the glands shall be such that they can be used with the standardized mechanical joint bell and tee head bolts conforming to the requirements of ANSI/AWWA C111/A21.11 and ANSI/AWWA C153/A21.53 of latest revision. Twist-off heads shall be incorporated in the design of the wedge actuating screws to ensure proper torque. All ductile iron components shall be phosphate washed and coated with an electrostatically applied, heat cured epoxy coating. The restraining device shall have a water working pressure rating of 350 PSI in sizes 3" through 12" with a safety factor of at least 2:1 against separation when tested in a dead-end situation. Restraint device shall be Uni-Flange Series 1400 or approved equal.

# Uni-Flange® Series 1405 Wedge Action Restraint

## Split MJ Retainer Gland Joint Restraint for Ductile Iron

**Working Pressure:** 3" - 12" = 350 PSI  
 14" - 16" = 300 PSI  
 18" - 36" = 200 PSI

**Safety Factor:** 2:1 safety factor at rated working pressure

### Actuating Screws

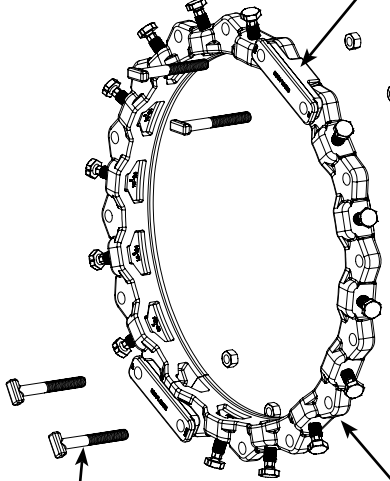
Ductile iron wedge actuating screw, with the Auto-Tork break-away head design, ensures proper torque during installation

### Connector Plates/Rings

High strength ductile iron per ASTM A536, Grade 65-45-12  
 3" - 8" uses connector ring  
 10" - 36" uses connector plate

### Heavy Hex Nuts

High strength, low alloy steel per ASTM A242, ANSI/AWWA C111/A21.11



### Tee Bolts

High strength low alloy steel per ASTM A242 and ANSI/AWWA C111

### Split Gland Body

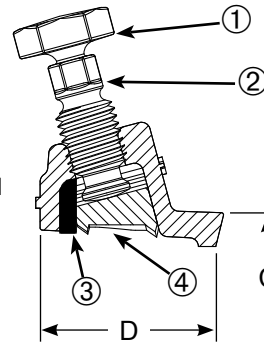
High strength ductile iron per ASTM A536, Grade 65-45-12. Compatible with all mechanical joints conforming to ANSI/AWWA C111/A21.11 and fittings conforming to AWWA C110 and C153



### Wedges

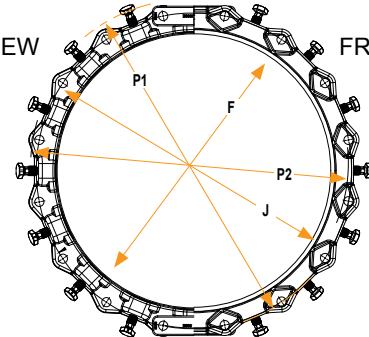
Ductile iron wedges are heat-treated to a hardness of 370 BHN minimum

1. Auto-Tork break-away head, 1-1/4" across the flat (same as 3/4" heavy hex nut)
2. 5/8" hex head, operating screw
3. Rubber spacer (positions wedge during assembly)
4. Wedge



REAR VIEW

FRONT VIEW



### Color Code

All ductile iron components are black e-coat epoxy

NOM. PIPE SIZE	PIPE O.D.	CATALOG NUMBER	PRESSURE RATING (PSI)	NO. OF WEDGES	APPROX. WT. LBS.	P1*	P2**	C	D	F	J	NO. OF BOLT HOLES
3"	3.96	UFR1405-DA-3-(I)	350	2	6.0	11.0	9.1	4.84	2.65	4.06	6.19	4
4"	4.80	UFR1405-DA-4-(I)	350	2	7.5	11.9	10.0	5.92	2.65	4.90	7.50	4
6"	6.90	UFR1405-DA-6-(I)	350	3	11.0	14.0	12.1	8.02	2.65	7.00	9.50	6
8"	9.05	UFR1405-DA-8-(I)	350	4	14.5	16.2	14.0	10.17	2.65	9.15	11.75	6
10"	11.10	UFR1405-DA-10-(I)	350	6	23.0	18.2	16.3	12.22	2.75	11.20	14.00	8
12"	13.20	UFR1405-DA-12-(I)	350	8	28.5	20.3	18.4	14.32	2.75	13.30	16.25	8
14"	15.30	UFR1405-DA-14-(I or U)	300	8	53.0	22.9	20.9	16.40	3.00	15.44	18.75	10
16"	17.40	UFR1405-DA-16-(I or U)	300	10	59.6	25.0	23.0	18.50	3.00	17.54	21.00	12
18"	19.50	UFR1405-DA-18-(I or U)	200	10	74.2	28.1	25.8	20.60	3.05	19.64	23.25	12
20"	21.60	UFR1405-DA-20-(I or U)	200	12	78.4	30.2	27.9	22.70	3.10	21.75	25.50	14
24"	25.80	UFR1405-DA-24-(I or U)	200	14	101.0	34.4	32.1	26.90	3.20	25.94	30.00	16
30"	32.00	UFR1405-DA-30-(I or U)	200	18	181.0	40.6	38.6	33.29	3.55	32.17	36.88	20
36"	38.30	UFR1405-DA-36-(I or U)	200	22	325.0	46.9	44.9	39.59	3.76	38.47	43.75	24

\* Maximum O.D. of gland on pipe before break-away heads have been removed (as received).

\*\* Maximum O.D. of gland on pipe after wedges have been activated and break-away heads have been removed.

Note: The Series UFR1405 can be reused or reinstalled after the Auto-Tork screw heads have been twisted off.

In this case, tighten the hex head of the wedge actuating screw to 75 - 110 lb. ft. A torque wrench is required to ensure proper torque.

Note: 4" - 12" oversized split retainer glands are available for gray cast iron pipe by adding "-XL" to the end of the catalog number.

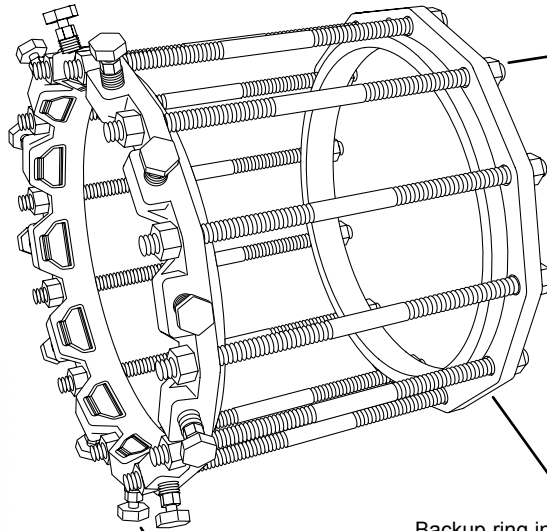
Contact factory for details.

**I = Import Casting U = Domestic Casting**

# Uni-Flange® Series 1450 Wedge Action Restraint

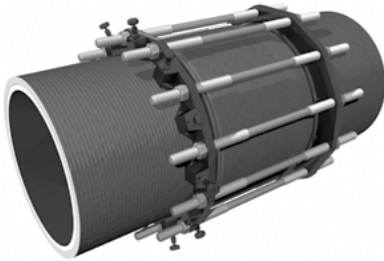
## for Push-on Joints of Ductile Iron Pipe (New Installations Only)

Series 1450 wedge action restrainer installed on spigot with lip facing the spigot end of pipe. ASTM A536, AWWA C111. All ductile iron components are black e-coat epoxy.



High strength steel connecting rods and nuts.

### Series 1450 Installed



Ductile iron Auto-Tork twist-off heads.

Backup ring installed with the vertical flat facing away from pipe bell. Ductile iron per ASTM A536. Carbon steel per ASTM A36.

NOM. PIPE SIZE	PIPE O.D. (INCHES)	CATALOG NUMBER	PRESSURE RATING (PSI)	No. OF RODS	ROD LENGTH	ROD DIAMETER	**MAX. BELL DIAMETER	APPROX. WEIGHT (LBS)
3"	3.96	UFR1450-D-3-(I or U)	350	4	14"	5/8"	5.50	12.0
4"	4.80	UFR1450-D-4-(I or U)	350	4	17"	3/4"	6.62	19.5
6"	6.90	UFR1450-D-6-(I or U)	350	6	17"	3/4"	8.62	29.0
8"	9.05	UFR1450-D-8-(I or U)	350	6	17"	3/4"	10.88	34.5
10"	11.10	UFR1450-D-10-(I or U)	350	8	24"	3/4"	13.12	56.0
12"	13.20	UFR1450-D-12-(I or U)	350	8	24"	3/4"	15.38	62.0
14"	15.30	UFR1450-D-14-(I or U)	350	10	24"	3/4"	17.88	87.0
16"	17.40	UFR1450-D-16-(I or U)	350	12	24"	3/4"	20.12	107.0
18"	19.50	UFR1450-D-18-(I or U)	250	12	24"	3/4"	22.38	122.0
20"	21.60	UFR1450-D-20-(I or U)	250	14	24"	3/4"	24.62	140.0
24"	25.80	UFR1450-D-24-(I or U)	250	16	24"	3/4"	29.12	159.0
30"	32.00	* UFR1450-D-30-(I or U)	250	10	24"	1"	35.80	362.0
36"	38.30	* UFR1450-D-36-(I or U)	250	12	24"	1"	42.60	430.0
42"	44.50	UFR1450-D-42-(I or U)	250	28	52"	1-1/4"	49-1/4"	1350
48"	50.80	UFR1450-D-48-(I or U)	250	32	52"	1-1/4"	56-1/8"	1570

I = Import Casting U = Domestic Casting

All dimensions in inches unless otherwise stated.

\* Backup ring is steel for 30" and 36".

\*\* NOTE: Connecting rods **WILL NOT CLEAR** a pipe bell with a maximum diameter larger than the listed measurement. These maximum diameters do not include joint deflection. Confirm pipe bell diameter before ordering.

# Uni-Flange® Series 1450 Wedge Action Restraint

## for Push-on Joints of Ductile Iron Pipe (New Installations Only)

The 1450 consists of a Series 1400 wedge action retainer gland installed on the pipe spigot, connected with high strength steel rods to a backup ring that seats behind the pipe bell. It offers the following advantages:

- Fast, economical restraint of push-on pipe bells. There is no need for special (and expensive) “factory restrained joint” pipe.
- High pressure capabilities. Rated at 350 PSI in 3" through 16" sizes, and 250 PSI in 18" through 48" sizes. Minimum 2:1 safety factor at full rated pressure. For higher pressure rating applications, see Series 2850.
- Recommended for any thickness class or pressure class of ductile iron pipe. The contoured wedges of the 1400 component fit the pipe properly and spread the restraining force around the circumference of the pipe to maximize performance. There is no point loading of the pipe.

### Sample Specification - Series 1450

Restraint for push-on bells of ductile iron pipe shall consist of a wedge action retainer gland installed on the pipe spigot, connected to a ductile iron or steel backup ring installed behind the pipe bell. The wedge action restrainer shall be manufactured of high strength ductile iron per ASTM A536, Grade 65-45-12. Wedges shall be heat treated to a minimum BHN 370 and shall be contoured to properly fit the pipe. The heads of the wedge actuating screws shall twist off at the recommended torque, ensuring correct installation. Connecting rods and nuts shall be of high strength, low alloy material meeting ANSI / AWWA C111 / A21.11 or high strength steel per ASTM A193, grade B7 standard. The backup ring shall be of ductile iron per ASTM A536, Grade 65-45-12 or carbon steel per ASTM A36. Restrainers for push-on joints of ductile iron pipe shall carry a water working pressure rating of 350 PSI in 3" through 16" sizes, 250 PSI in 14" through 48" sizes, and shall be Uni-Flange® Series 1450 or approved equal.

# Uni-Flange® Series 1455 Wedge Action Restraint

## Joint Restraint with Split Back-up Ring for Ductile Iron Pipe

**Working Pressure:** 3" - 12" = 350 psi  
 14" - 16" = 300 psi  
 18" - 36" = 200 psi

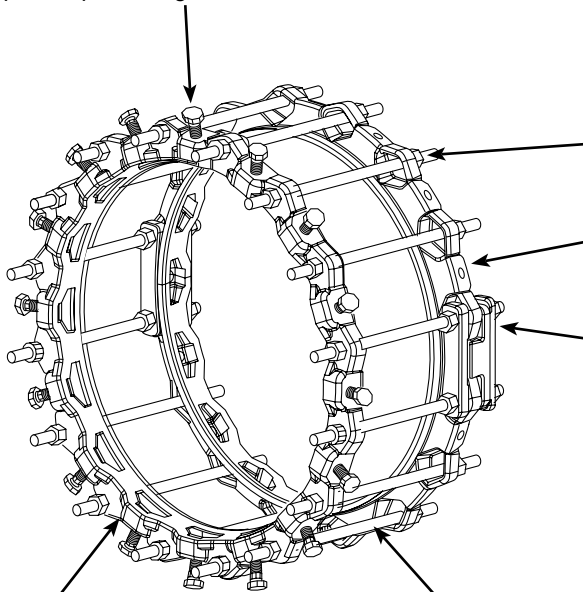
**Safety Factor:** 2:1 safety factor at rated working pressure

### Actuating Screws

Ductile iron wedge actuating screw, with the Auto-Tork break-away head design, ensures proper torque during installation

### Color Code

All ductile iron components are black e-coat epoxy



### Heavy Hex Nuts

High strength, low alloy steel per ASTM A242, ANSI/AWWA C111/A21.11

### Split Back-Up Ring

Ductile iron per ASTM A536, Grade 65-45-12 ANSI/AWWA C111/A21.11 (assembled on bell end)

### Connector Plates/Rings

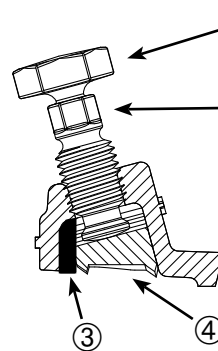
High strength ductile iron per ASTM A536, Grade 65-45-12  
 3" - 8" uses connector ring  
 10" - 36" uses connector plate

### Gland Body

High strength ductile iron per ASTM A536, Grade 65-45-12. Compatible with all pipe bell joints conforming to ANSI/AWWA C111/A21.11

### Threaded Rods

High strength, low alloy steel ANSI/AWWA C111/A21.11



### Wedges

Ductile iron wedges are heat-treated to a hardness of 370 BHN minimum

1. Auto-Tork break-away head, 1-1/4" across the flat (same as 3/4" heavy hex nut)
2. 5/8" hex head, operating screw
3. Rubber spacer (positions wedge during assembly)
4. Wedge

NOM. PIPE SIZE	PIPE O.D.	CATALOG NUMBER	RODS			PRESSURE RATING (PSI)	*MAX. BELL DIAMETER	APPROX. WT. LBS.
			No.	LENGTH	DIA.			
3"	3.96	UFR1455-D-3-(I)	4	14"	5/8"	350	5.50	12.0
4"	4.80	UFR1455-D-4-(I)	4	17"	3/4"	350	6.62	20.0
6"	6.90	UFR1455-D-6-(I)	6	17"	3/4"	350	8.62	29.0
8"	9.05	UFR1455-D-8-(I)	6	17"	3/4"	350	10.88	35.0
10"	11.10	UFR1455-D-10-(I)	8	24"	3/4"	350	13.12	56.0
12"	13.20	UFR1455-D-12-(I)	8	24"	3/4"	350	15.38	62.0
14"	15.30	UFR1455-D-14-(I or U)	10	24"	3/4"	300	17.88	120.3
16"	17.40	UFR1455-D-16-(I or U)	12	24"	3/4"	300	20.12	134.4
18"	19.50	UFR1455-D-18-(I or U)	12	24"	3/4"	200	22.38	158.3
20"	21.60	UFR1455-D-20-(I or U)	14	24"	3/4"	200	24.62	178.7
24"	25.80	UFR1455-D-24-(I or U)	16	24"	3/4"	200	29.12	218.8
30"	32.00	UFR1455-D-30-(I or U)	20	24"	1"	200	35.80	455.0
36"	38.30	UFR1455-D-36-(I or U)	24	24"	1"	200	42.60	564.6

\* Note: Connecting rods **WILL NOT CLEAR** a pipe bell with a maximum diameter larger than the listed measurement. These maximum diameters do not include joint deflection. Confirm pipe bell diameter before ordering.

Note: The Series UFR1455 can be reused or reinstalled after the Auto-Tork screw heads have been twisted off.

In this case, tighten the hex head of the wedge actuating screw to 75 - 110 ft. lb. A torque wrench is required to ensure proper torque.

I = Import Casting U = Domestic Casting



# Uni-Flange® Series 1490 Wedge Action Restraint

## Split Joint Restraint with Split Back-up Ring for Ductile Iron Pipe

**Working Pressure:** 3" - 12" = 350 PSI  
 14" - 16" = 300 PSI  
 18" - 36" = 200 PSI

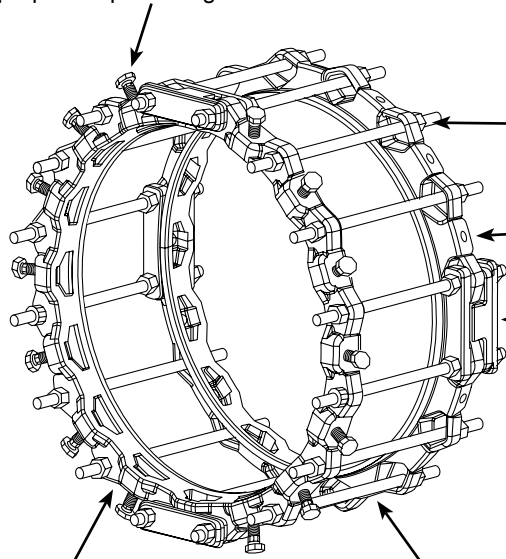
**Safety Factor:** 2:1 safety factor at rated working pressure

### Actuating Screws

Ductile iron wedge actuating screw, with the Auto-Tork break-away head design, ensures proper torque during installation

### Color Code

All ductile iron components are black e-coat epoxy



### Heavy Hex Nuts

High strength, low alloy steel per ASTM A242, ANSI/AWWA C111/A21.11

### Split Back-Up Ring

Ductile iron per ASTM A536, Grade 65-45-12 ANSI/AWWA C111/A21.11 (assembled on bell end)

### Connector Plates/Rings

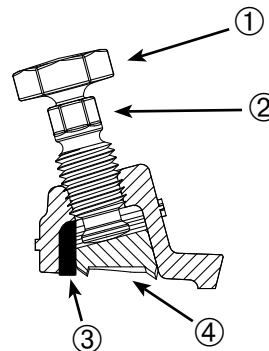
High strength ductile iron per ASTM A536, Grade 65-45-12  
 3" - 8" uses connector ring  
 10" - 36" uses connector plate

### Split Gland Body

High strength ductile iron per ASTM A536, Grade 65-45-12. Compatible with all pipe bell joints conforming to ANSI/AWWA C111/A21.11

### Threaded Rods

High strength, low alloy steel ANSI/AWWA C111/A21.11



### Wedges

Ductile iron wedges are heat-treated to a hardness of 370 BHN minimum

1. Auto-Tork break-away head, 1-1/4" across the flat (same as 3/4" heavy hex nut)
2. 5/8" hex head, operating screw
3. Rubber spacer (positions wedge during assembly)
4. Wedge

NOM. PIPE SIZE	PIPE O.D.	CATALOG NUMBER	RODS			PRESSURE RATING (PSI)	*MAX. BELL DIAMETER	APPROX. WT. LBS.
			No.	LENGTH	DIA.			
3"	3.96	UFR1490-D-3-(I)	4	14"	5/8"	350	5.50	12.0
4"	4.80	UFR1490-D-4-(I)	4	17"	5/8"	350	6.62	20.0
6"	6.90	UFR1490-D-6-(I)	6	17"	3/4"	350	8.62	29.0
8"	9.05	UFR1490-D-8-(I)	6	17"	3/4"	350	10.88	35.0
10"	11.10	UFR1490-D-10-(I)	8	24"	3/4"	350	13.12	56.0
12"	13.20	UFR1490-D-12-(I)	8	24"	3/4"	350	16.38	62.0
14"	15.30	UFR1490-D-14-(I or U)	10	24"	3/4"	300	17.88	117.4
16"	17.40	UFR1490-D-16-(I or U)	12	24"	3/4"	300	20.12	135.0
18"	19.50	UFR1490-D-18-(I or U)	12	24"	3/4"	200	22.38	151.6
20"	21.60	UFR1490-D-20-(I or U)	14	24"	3/4"	200	24.62	169.6
24"	25.80	UFR1490-D-24-(I or U)	16	24"	3/4"	200	29.12	187.8
30"	32.00	UFR1490-D-30-(I or U)	20	24"	1"	200	35.80	481.0
36"	38.30	UFR1490-D-36-(I or U)	24	24"	1"	200	42.60	603.0

\* Note: Connecting rods **WILL NOT CLEAR** a pipe bell with a maximum diameter larger than the listed measurement. These maximum diameters do not include joint deflection. Confirm pipe bell diameter before ordering.

Note: The Series UFR1490 can be reused or reinstalled after the Auto-Tork screw heads have been twisted off.

In this case, tighten the hex head of the wedge actuating screw to 75 - 110 ft. lb. A torque wrench is required to ensure proper torque.

**I = Import Casting U = Domestic Casting**

# Uni-Flange® Series 1495 Wedge Action Restraint

## Mid-Span Split Restraints for Ductile Iron Pipe

**Working Pressure:** 3" - 12" = 350 PSI  
 14" - 16" = 300 PSI  
 18" - 36" = 200 PSI

**Safety Factor:** 2:1 safety factor at rated working pressure

**Color Code**

All ductile iron components are black e-coat epoxy

**Actuating Screws**

Ductile iron wedge actuating screw, with the Auto-Tork break-away head design, ensures proper torque during installation

**Split Gland Body**

High strength ductile iron per ASTM A536, Grade 65-45-12. Compatible with all pipe bell joints conforming to ANSI/AWWA C111/A21.11

**Tee Bolts**

High strength low alloy steel per ASTM A242 and ANSI/AWWA C11

**Heavy Hex Nuts**

High strength, low alloy steel per ASTM A242, ANSI/AWWA C111/A21.11

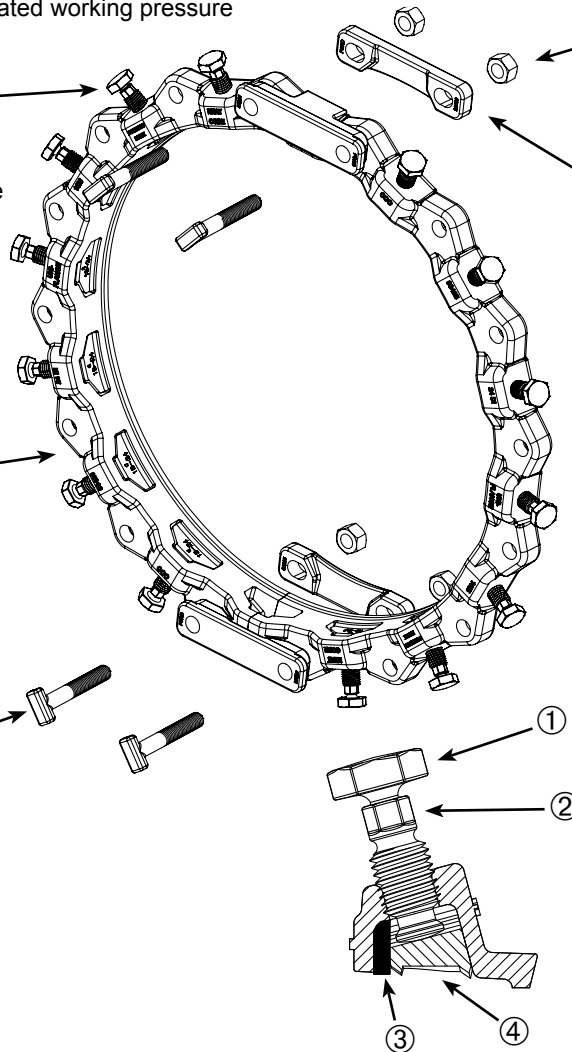
**Connector Plates/Rings**

High strength ductile iron per ASTM A536, Grade 65-45-12  
 3" - 8" uses connector ring  
 10" - 36" uses connector plate

**Wedges**

Ductile iron wedges are heat-treated to a hardness of 370 BHN minimum

1. Auto-Tork break-away head, 1-1/4" across the flat (same as 3/4" heavy hex nut)
2. 5/8" hex head, operating screw
3. Rubber spacer (positions wedge during assembly)
4. Wedge



NOM. PIPE SIZE	PRESSURE RATING (PSI)	CATALOG NUMBER	*MAX. BELL DIAMETER	APPROX. WT. LBS.
3"	350	UFR1495-D-3-(I)	5.50	7.0
4"	350	UFR1495-D-4-(I)	6.62	8.5
6"	350	UFR1495-D-6-(I)	8.62	12.0
8"	350	UFR1495-D-8-(I)	10.88	15.5
10"	350	UFR1495-D-10-(I)	13.12	41.0
12"	350	UFR1495-D-12-(I)	16.38	50.0
14"	300	UFR1495-D-14-(I or U)	17.88	57.0
16"	300	UFR1495-D-16-(I or U)	20.12	63.6
18"	200	UFR1495-D-18-(I or U)	22.38	78.2
20"	200	UFR1495-D-20-(I or U)	24.62	89.0
24"	200	UFR1495-D-24-(I or U)	29.12	105.0
30"	200	UFR1495-D-30-(I or U)	35.80	185.0
36"	200	UFR1495-D-36-(I or U)	42.60	329.0

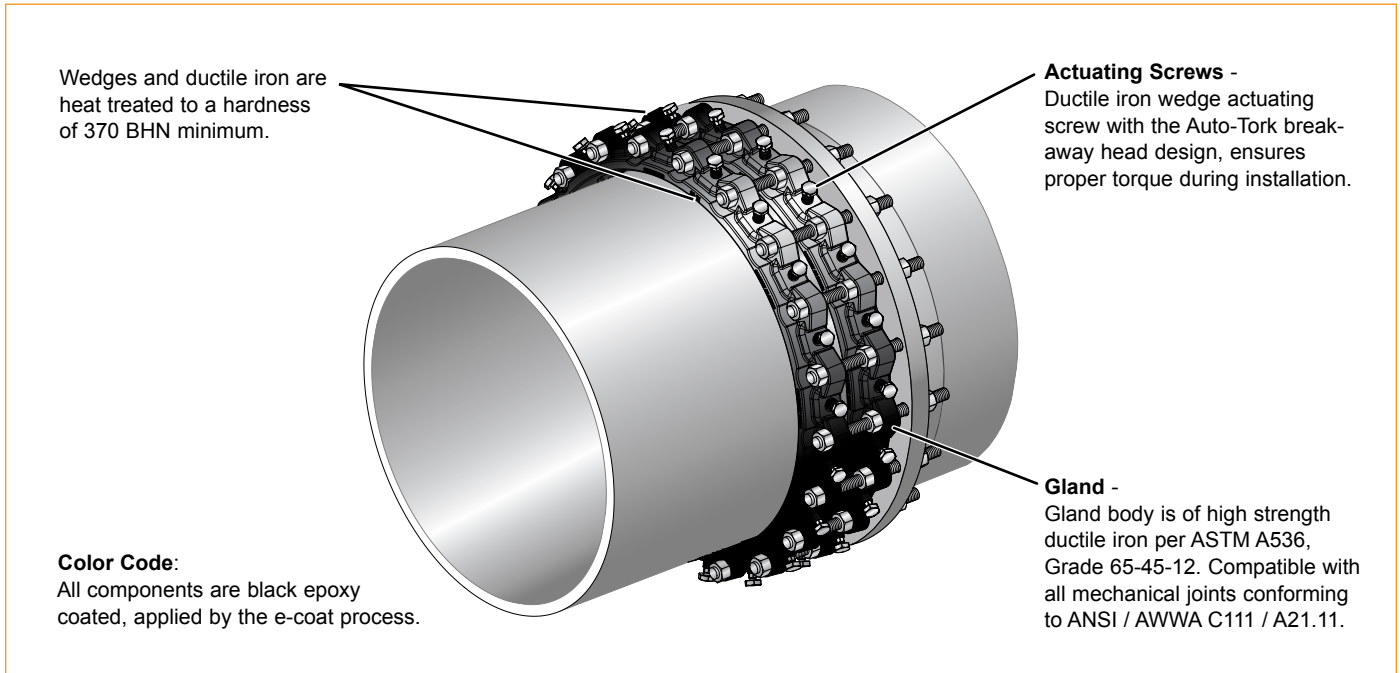
I = Import Casting U = Domestic Casting

\* Note: Connecting rods **WILL NOT CLEAR** a pipe bell with a maximum diameter larger than the listed measurement. These maximum diameters do not include joint deflection. Confirm pipe bell diameter before ordering.

# Uni-Flange® Series 2800

## Tandem Restraints for Ductile Iron Pipe for High Pressure Applications

Used in tandem, the UFR2800 allows two UFR1400 Restraints to work in unison to hold higher pressures.



NOM. PIPE SIZE	PIPE O.D. (INCHES)	CATALOG NUMBER	PRESSURE RATING (PSI)	APPROX. WEIGHT (LBS.)	CATALOG NUMBER	APPROX. WEIGHT (LBS.)	No. OF BOLTS	BOLT SIZE AND LENGTH
3"	3.96	UFR2800-D-3-(I or U)	500	12.0	UFR2800-DA-3-(I or U)	16.0	4	5/8" x 9"
4"	4.80	UFR2800-D-4-(I or U)	500	15.0	UFR2800-DA-4-(I or U)	21.0	4	3/4" x 7"
6"	6.90	UFR2800-D-6-(I or U)	500	22.0	UFR2800-DA-6-(I or U)	31.0	6	3/4" x 7"
8"	9.05	UFR2800-D-8-(I or U)	500	29.0	UFR2800-DA-8-(I or U)	39.0	6	3/4" x 7"
10"	11.10	UFR2800-D-10-(I or U)	500	44.0	UFR2800-DA-10-(I or U)	59.0	8	3/4" x 7"
12"	13.20	UFR2800-D-12-(I or U)	500	56.0	UFR2800-DA-12-(I or U)	70.0	8	3/4" x 9"
14"	15.30	UFR2800-D-14-(I or U)	450	84.0	UFR2800-DA-14-(I or U)	104.0	10	3/4" x 9"
16"	17.40	UFR2800-D-16-(I or U)	450	100.0	UFR2800-DA-16-(I or U)	124.0	12	3/4" x 9"
18"	19.50	UFR2800-D-18-(I or U)	350	134.0	UFR2800-DA-18-(I or U)	158.0	12	3/4" x 9"
20"	21.60	UFR2800-D-20-(I or U)	350	150.0	UFR2800-DA-20-(I or U)	176.0	14	3/4" x 9"
24"	25.80	UFR2800-D-24-(I or U)	350	170.0	UFR2800-DA-24-(I or U)	202.0	16	3/4" x 9"
*30"	32.00	UFR2800-D-30-(I or U)	350	442.0	UFR2800-DA-30-(I or U)	524.0	20	1" x 12"
*36"	38.30	UFR2800-D-36-(I or U)	350	512.0	UFR2800-DA-36-(I or U)	612.0	24	1" x 12"

**I = Import Casting U = Domestic Casting**

All dimensions in inches unless otherwise stated.

\* 30" and 36" have threaded rods.

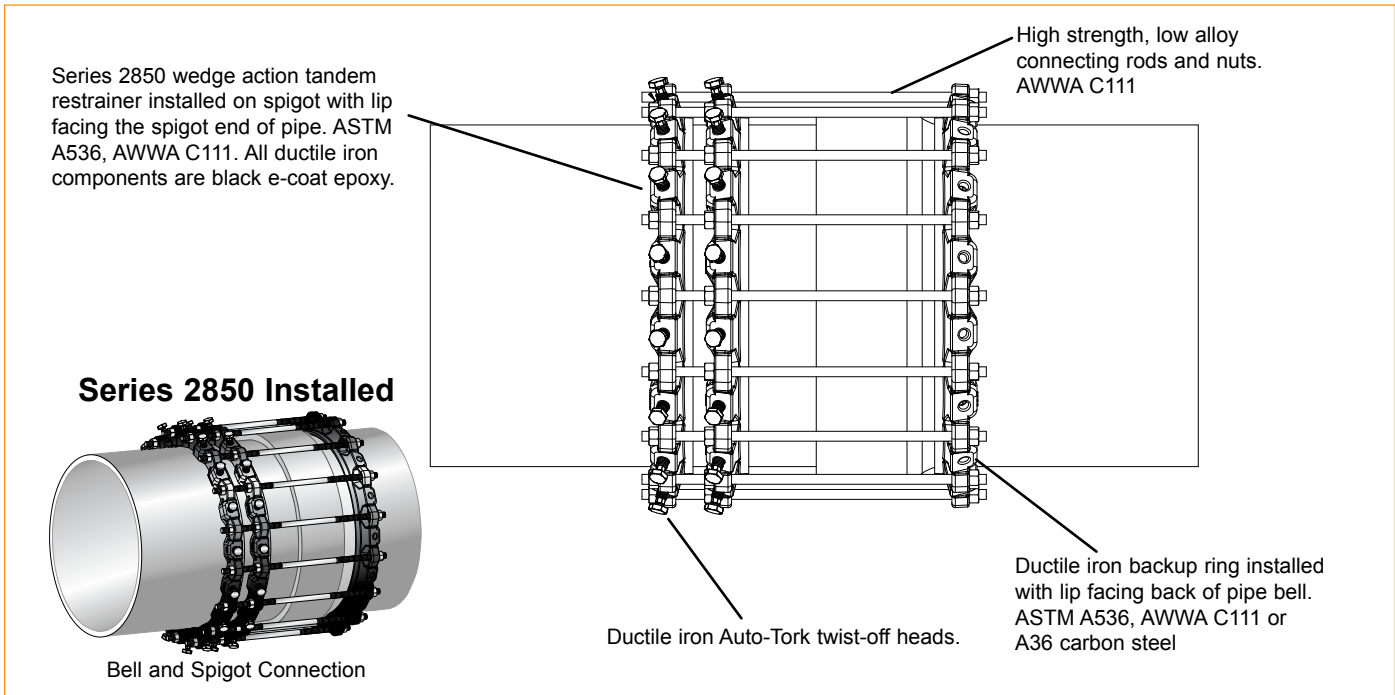
**Note: Not to be used on plain end fittings.**

### Sample Specification – Series 2800

Tandem restraint for standardized mechanical joints shall be incorporated in the design of the follower gland and shall impart multiple points of wedge action against the pipe, increasing its resistance as the pressure increases. The assembled joint shall maintain its flexibility after burial and shall maintain its integrity by a controlled and limited expansion of each joint during the wedging action. Restraining glands shall be manufactured of high strength ductile iron conforming to the requirements of ASTM A536. Wedges shall be contoured to properly fit on the pipe and shall be manufactured of ductile iron, and heat treated to a minimum hardness of 370 BHN. Dimensions of the glands shall be such that they can be used with the standardized mechanical joint bell and tee head bolts conforming to the requirements of ANSI/AWWA C111/A21.11 and ANSI/AWWA C153/A21.53 of latest revision. Twist-off heads shall be incorporated in the design of the wedge actuating screws to ensure proper torque. All ductile iron components shall be phosphate washed and coated with an electrostatically applied, heat cured epoxy coating. The restraining device shall have a water working pressure rating of 500 PSI in sizes 3" through 12" and 450 PSI in sizes 14" through 16" and 350 PSI in sizes 18" through 36" with a safety factor of at least 2:1 against separation when tested in a dead-end situation. Restraint device shall be Uni-Flange Series 2800 or approved equal.

# Uni-Flange® Series 2850 Wedge Action Restrainer

for Push-On Joints of Ductile Iron Pipe (new installations only)  
for Higher Pressure Applications



NOM. PIPE SIZE	PIPE O.D. (INCHES)	CATALOG NUMBER	PRESSURE RATING (PSI)	No. OF RODS	ROD LENGTH	ROD DIAMETER	*MAX. BELL DIAMETER	APPROX. WEIGHT (LBS.)
3"	3.96	UFR2850-D-3-(I or U)	500	4	14"	5/8"	5.50	18.0
4"	4.80	UFR2850-D-4-(I or U)	500	4	17"	3/4"	6.62	27.0
6"	6.90	UFR2850-D-6-(I or U)	500	6	17"	3/4"	8.62	40.0
8"	9.05	UFR2850-D-8-(I or U)	500	6	17"	3/4"	10.88	49.0
10"	11.10	UFR2850-D-10-(I or U)	500	8	17"	3/4"	13.12	78.0
12"	13.20	UFR2850-D-12-(I or U)	500	8	17"	3/4"	15.38	90.0
14"	15.30	UFR2850-D-14-(I or U)	450	10	24"	3/4"	17.88	129.0
16"	17.40	UFR2850-D-16-(I or U)	450	12	24"	3/4"	20.12	157.0
18"	19.50	UFR2850-D-18-(I or U)	350	12	24"	3/4"	22.38	189.0
20"	21.60	UFR2850-D-20-(I or U)	350	14	24"	3/4"	24.62	215.0
24"	25.80	UFR2850-D-24-(I or U)	350	16	24"	3/4"	29.12	244.0
30"	32.00	UFR2850-D-30-(I or U)	350	20	24"	3/4"	35.80	583.0
36"	38.30	UFR2850-D-36-(I or U)	350	24	24"	1"	42.60	686.0

I = Import Casting U = Domestic Casting

All dimensions in inches unless otherwise stated.

\* **Note:** Connecting rods **WILL NOT CLEAR** a pipe bell with a maximum diameter larger than the listed measurement. These maximum diameters do not include joint deflection. Confirm pipe bell diameter before ordering.

## Sample Specification - Series 2850

Tandem restraint for push-on bells of ductile iron pipe shall consist of a wedge action retainer gland installed on the pipe spigot, connected to a ductile iron backup ring installed behind the pipe bell. The wedge action restrainer shall be manufactured of high strength ductile iron per ASTM A536, Grade 65-45-12. Wedges shall be heat treated to a minimum BHN 370 and shall be contoured to properly fit the pipe. The heads of the wedge actuating screws shall twist off at the recommended torque, ensuring correct installation. Connecting rods and nuts shall be of high strength, low alloy material meeting ANSI / AWWA C111 / A21.11 standard. The backup ring shall be of ductile iron per ASTM A536, Grade 65-45-12. Restrainers for push-on joints of ductile iron pipe shall carry a water working pressure rating of 500 PSI in 3" through 12" sizes, 450 PSI in 14" through 16" sizes, and 350 PSI in 18" through 36" sizes, and shall be Uni-Flange® Series 2850 or approved equal.

# Uni-Flange® Series 1500

## MJ Retainer Gland Joint Restraint for PVC Pipe, C909 and HDPE

### Actuating Screws -

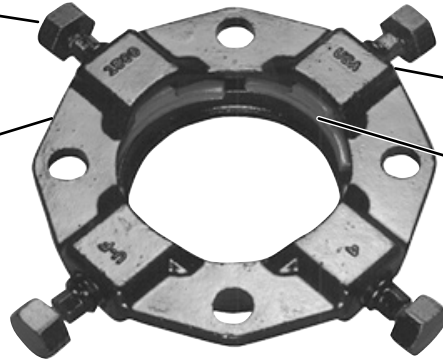
Ductile iron per ASTM A536, Grade 65-45-12, with the Auto-Tork break-away head design, ensures proper torque during installation.

### Gland -

Ductile iron per ASTM A536, Grade 65-45-12. Compatible with all mechanical joints conforming to ANSI / AWWA C111 / A21.11.

### Finish -

Black e-coat epoxy with red top coat.



A supplemental plastic stop ring will be provided on sizes 4" - 8". Remove for use on IPS PVC or steel pipe.

Safety stop ensures ring segments can never be over-tightened.

### Ring Segments -

Ductile iron per ASTM A536.

The Uni-Flange® Series 1500 offers a minimum 2:1 safety factor at the full rated pressure of the PVC pipe on which it is installed, in all sizes, when tested in dead-end situations.

### Sample Specification - Series 1500

Restraint for PVC pipe joined with standardized mechanical joint fittings shall be incorporated in the design of the follower gland and shall provide full circle contact and support of the pipe wall. Restraint shall be accomplished by a series of ring segments mechanically retained inside the gland housing and designed to grip the pipe wall in an even and uniform manner. Restraining ring segments shall be actuated by bolts featuring "Auto-Tork" twist off heads to ensure proper installation torque is applied. A safety stop on the Auto-Tork bolt shall limit the force applied to the ring segment against the pipe. All components of the restrainer, including the gland, bolts, and restraint segments shall be of high strength ductile iron, ASTM A536. Restraining devices shall be UL Listed / FM Approved on AWWA C900 PVC pipe and shall be certified by a third party testing laboratory as meeting or exceeding ASTM F1674-96 "Standard Test Method for Joint Restraint Devices for PVC Pipe." Restraining devices shall be manufactured by a facility independently certified to ISO 9001 quality standard and shall be Ford / Uni-Flange® Series 1500 or approved equal.

**Note:** Maximum deflection for Series 1500 is 5°, 2° on C909.

**Note:** To reinstall gland after twist-off heads are removed, use a torque wrench to tighten remaining hex head to 65 ft-lb. Consult the Ford Meter Box website for the most current installation instructions.

# Information - Uni-Flange® Series 1500

## Features of Uni-Flange® Series 1500

Ford Meter Box / Uni-Flange® has the most technically advanced, high performance joint restraint device for PVC pipe available in the water works industry: the Series 1500.

### ADVANTAGES OF THE SERIES 1500

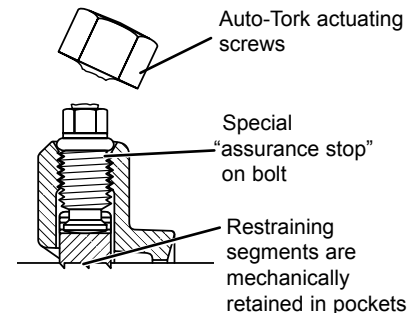
- **Full support of the pipe wall.** The Series 1500 can be used on any thickness class of AWWA C900 PVC pipe without point loading.
- **UL / FM / ASTM / ISO 9001.** The Series 1500 is UL listed and Factory Mutual Research Corporation approved for PVC pipe. It has also been tested to and exceeds the requirements of ASTM F1674 "Standard Test Method for Joint Restraint Products for Use with PVC Pipe." It is manufactured by Ford Meter Box, certified by UL to ISO 9001 quality standard.
- **Versatility.** 3" - 12" sizes can be used on C909 PVCO, C900 PVC and IPS PVC per ASTM A2241, and can also be used on SDR35 as long as a SO-EZ gasket is used.
- **Correct installation every time.** The Series 1500 features Auto-Tork actuating screws with heads specially designed to twist off at the correct installation torque, leaving a hex head in case future system maintenance or removal is required. This feature offers a visual indicator of correct installation. A special "assurance stop" is built into the bolt. After the Auto-Tork feature has been engaged, the bolt cannot be tightened further so there is never any danger of pipe damage.
- **Restraining segments are mechanically retained in pockets,** they cannot fall out. All parts show up on the job site.
- **Eliminates the need for concrete thrust blocks.** When you use the Series 1500, there is no need to pour expensive and time consuming concrete thrust blocks. The Series 1500 offers guaranteed joint restraint, in any soil condition, in a matter of minutes.
- **E-coat epoxy coating** standard on all sizes.



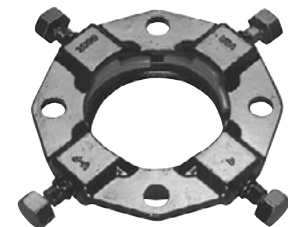
### HOW IT WORKS

The Series 1500 is a mechanical joint restraining gland. It performs two functions during installation; gasket sealing and thrust restraint.

- **Gasketed Seal.** As with a standard mechanical joint, the gasket seal is made first. This is accomplished by tightening the T-head bolts / nuts that connect the Series 1500 to the mechanical joint fitting. The Series 1500 can be used with any mechanical joint bell conforming to ANSI / AWWA C110 / A21.10, ANSI / AWWA C111/ A21.11, or ANSI / AWWA C153 / A21.53.
- **Thrust Restraint.** The Series 1500 incorporates a series of ductile iron restraint segments that fit in pockets around the inner surface of the specially designed gland housing. These segments are contoured to fit each pipe size and have integrally cast restraint edges along their bottom surface. After the seal is made, the Auto-Tork segment actuating screws are tightened. This locks the restraint segments onto the pipe surface, providing complete and total thrust restraint for the joint.



The restraint segments of the 1500 are the key to the design. They spread the restraining force, offering even distribution and support of the pipe. This is important with PVC pipe, especially for thinner wall classes. The restraint segments are designed with a "slot" at the top, which accepts the channeled foot of the activating bolt, so they cannot fall out of their pockets. The Series 1500 meets or exceeds the capabilities of "factory restrained joint pipe" at a fraction of the cost.



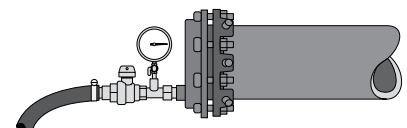
### TESTING

The Series 1500 has successfully passed the rigorous quality assurance and pressure tests required by UL, Factory Mutual Research Corporation, and ASTM F-1674. These include the following tests conducted on AWWA C900 PVC pipe, DR18:

- All sizes tested to a minimum of 755 PSI
- 1,000 hours at 500 PSI
- Over 1,000,000 cycles oscillating between 94 PSI to 188 PSI

All of these tests were against exposed end caps, the most severe test of a restraining device. Contact The Ford Meter Box Company, Inc. for copies of these tests.

The unique design of the Series 1500 offers even distribution and support of the pipe wall. This design utilizes **Ring Segments** and is an exclusive feature of the Series 1500.

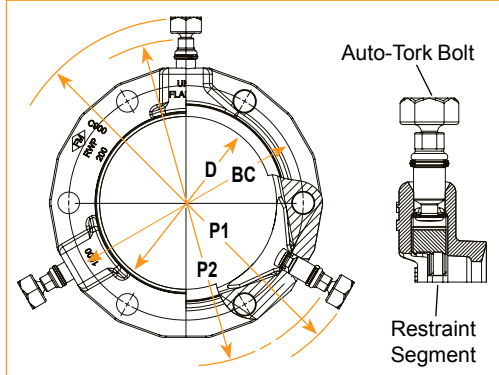


# Uni-Flange® Series 1500 and 1500R

## MJ Retainer Gland Joint Restraint for PVC Pipe

### MATERIAL SPECIFICATIONS:

- Gland Body:** Ductile iron per ASTM A536, Grade 65-45-12. May be used with all mechanical joint bells conforming to ANSI / AWWA C111 standard.
- Auto-Tork Screws:** Ductile iron per ASTM A536, Grade 65-45-12. Designed to twist off at approximately 65 ft-lb.
- Restraint Segments:** Ductile iron per ASTM A536, hardened.



### Pipe Pressure Rating for C900, IPS PVC, C905, C909 and \*SDR35 Pipe Sizes 3" - 36"

C900			ASTM D2241		C905		C909		*SDR35
DR25	DR18	DR14	SDR26	SDR21	DR18	DR25	PC165	PC235	*SDR35
165 PSI	235 PSI	305 PSI	160 PSI	200 PSI	235 PSI	165 PSI	165 PSI	235 PSI	50 PSI

\*Note: UFR1500s with a SO-EZ NBR (Buna-N) Gasket can be used on SDR35 sewer pipe.

See UFR1500-ZA listing on page U-58 or SO-EZ gasket listing on Page U-59.

P1 - Maximum O.D. of gland on pipe before Auto-Tork heads are removed (as shipped).  
P2 - Maximum O.D. of gland installed on pipe after Auto-Tork heads are removed.

### Rapid Install Design for C900, C909, IPS PVC and \*SDR35

NOM. PIPE SIZE	PIPE O.D. (INCHES)	CATALOG NUMBER	NO. OF RESTRAINT SEGMENTS	APPROX. WEIGHT (LBS.)	P1	P2		BC	D
						C900 C909	IPS		
*4"	4.50-4.80	UFR1500R-4-U	2	8.06	13.00"	10.25"	9.25"	7.50"	4.90"
*6"	6.63-6.90	UFR1500R-6-U	3	11.37	15.13"	12.17"	11.90"	9.50"	7.00"

### Domestic Series 1500 for C900, C905, \*\*C909, IPS PVC and \*SDR35

NOM. PIPE SIZE	PIPE O.D. (INCHES)	CATALOG NUMBER	NO. OF RESTRAINT SEGMENTS	APPROX. WEIGHT (LBS.)	P1	P2		BC	D
						C900 C905 C909	IPS		
3"	3.50	UFR1500-3-U	2	7.0	11.50	-	9.11	6.19	4.06
* 4"	4.22 - 4.80	UFR1500-4-U	4	11.0	13.00	10.25	9.95	7.50	4.90
* 6"	6.28 - 6.90	UFR1500-6-U	6	15.0	15.13	12.17	11.90	9.50	7.00
* 8"	8.40 - 9.05	UFR1500-8-U	6	18.0	17.25	14.15	13.73	11.75	9.15
*10"	10.50 - 11.10	UFR1500-10-U	8	26.0	19.38	16.40	16.08	14.00	11.20
*12"	12.50 - 13.20	UFR1500-12-U	8	29.0	21.50	18.28	17.83	16.25	13.30
14"	15.30	UFR1500-C-14-U	10	47.0	23.6	22.7	-	18.75	15.44
16"	17.40	UFR1500-C-16-U	12	62.0	26.2	25.3	-	21.00	17.54
18"	19.50	UFR1500-C-18-U	12	78.0	28.3	27.4	-	23.25	19.64
20"	21.60	UFR1500-C-20-U	14	95.0	30.4	29.5	-	25.50	21.74
24"	25.80	UFR1500-C-24-U	16	125.0	34.6	33.7	-	30.00	25.94
30"	32.00	UFR1500-C-30-U	20	140.0	40.79	38.06	-	36.88	32.30
36"	38.30	UFR1500-C-36-U	24	198.0	46.84	44.40	-	43.75	38.62

### Imported Series 1500 for C900, C905, \*\*C909, IPS PVC and \*SDR35

NOM. PIPE SIZE	PIPE O.D. (INCHES)	CATALOG NUMBER	NO. OF RESTRAINT SEGMENTS	APPROX. WEIGHT (LBS.)	P1	P2		BC	D
						C900 C905 C909	IPS		
3"	3.50	UFR1500-3-I	2	7.0	11.50	-	9.11	6.19	4.06
* 4"	4.22 - 4.80	UFR1500-4-I	2	9.1	13.00	10.25	9.95	7.50	4.90
* 6"	6.28 - 6.90	UFR1500-6-I	3	11.3	15.13	12.17	11.90	9.50	7.00
* 8"	8.40 - 9.05	UFR1500-8-I	4	15.0	17.25	14.15	13.73	11.75	9.15
*10"	10.50 - 11.10	UFR1500-10-I	8	26.0	19.38	16.40	16.08	14.00	11.20
*12"	12.50 - 13.20	UFR1500-12-I	8	29.0	21.50	18.28	17.83	16.25	13.30
14"	15.30	UFR1500-C-14-I	10	47.0	23.6	22.7	-	18.75	15.44
16"	17.40	UFR1500-C-16-I	12	62.0	26.2	25.3	-	21.00	17.54
18"	19.50	UFR1500-C-18-I	12	78.0	28.3	27.4	-	23.25	19.64
20"	21.60	UFR1500-C-20-I	14	95.0	30.4	29.5	-	25.50	21.74
24"	25.80	UFR1500-C-24-I	16	125.0	34.6	33.7	-	30.00	25.94
30"	32.00	UFR1500-C-30-I	20	140.0	40.79	38.06	-	36.88	32.30
36"	38.30	UFR1500-C-36-I	24	198.0	46.84	44.40	-	43.75	38.62

\*\* Suitable for use on C909 up through 16".

# Uni-Flange® Series 1500 and 1500R

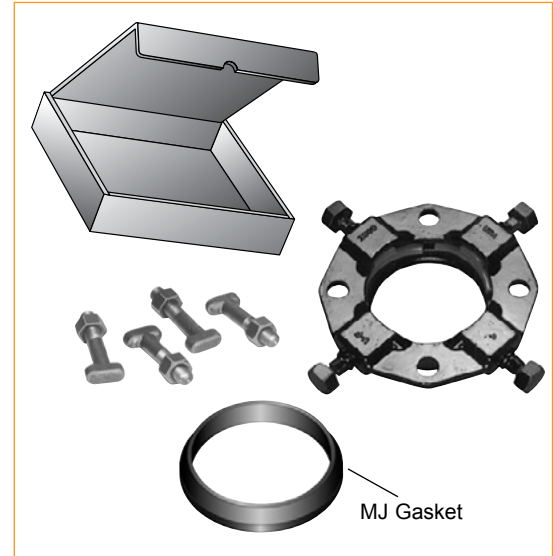
## MJ Retainer Gland Joint Restraint for PVC Pipe (Packaged with Accessories)

### MJ Gasket Kit

The Uni-Flange® Series 1500 packaged with accessories is a convenient way to deliver all the components required to install a Series 1500 restraint. Sizes 4" through 12" are shipped shrink wrapped in a weather resistant carton. 14" through 36" sizes are bulk packaged.

### Pipe Pressure Rating for C900, IPS PVC, C905, and C909 3" - 36"

C900			C905		C909	
DR25	DR18	DR14	DR18	DR25	PC165	PC235
165 PSI	235 PSI	305 PSI	235 PSI	165 PSI	165 PSI	235 PSI



### Rapid Install Design for C900 and C909

NOM. PIPE SIZE	PIPE O.D. (INCHES)	CATALOG NUMBER	NO. OF RESTRAINT SEGMENTS	APPROX. WEIGHT (LBS.)
4"	4.80	UFR1500R-CA-4-U	2	12.50
6"	6.90	UFR1500R-CA-6-U	3	18.00

### Domestic Series 1500-CA For C900 and \*\*C909 Packaged with Accessories 4" - 36"

NOM. PIPE SIZE	PIPE O.D. (INCHES)	CATALOG NUMBER	NO. OF RESTRAINT SEGMENTS	APPROX. WEIGHT (LBS.)
*4"	4.80	UFR1500-CA-4-U	4	14.2
*6"	6.90	UFR1500-CA-6-U	6	20.1
*8"	9.02	UFR1500-CA-8-U	6	24.3
*10"	11.10	UFR1500-CA-10-U	8	33.0
*12"	13.20	UFR1500-CA-12-U	8	37.3
14"	15.30	UFR1500-CA-14-U	10	56.1
16"	17.40	UFR1500-CA-16-U	12	71.4
18"	19.50	UFR1500-CA-18-U	12	89.2
20"	21.60	UFR1500-CA-20-U	14	102.8
24"	25.80	UFR1500-CA-24-U	16	140.6
30"	32.00	UFR1500-CA-30-U	20	179.0
36"	38.30	UFR1500-CA-36-U	24	237.7

### Imported Series 1500-CA For C900 and \*\*C909 Packaged with Accessories 4" - 48"

NOM. PIPE SIZE	PIPE O.D. (INCHES)	CATALOG NUMBER	NO. OF RESTRAINT SEGMENTS	APPROX. WEIGHT (LBS.)
*4"	4.80	UFR1500-CA-4-I	2	14.2
*6"	6.90	UFR1500-CA-6-I	3	20.1
*8"	9.02	UFR1500-CA-8-I	4	24.3
*10"	11.10	UFR1500-CA-10-I	8	33.0
*12"	13.20	UFR1500-CA-12-I	8	37.3
14"	15.30	UFR1500-CA-14-I	10	56.1
16"	17.40	UFR1500-CA-16-I	12	71.4
18"	19.50	UFR1500-CA-18-I	12	89.2
20"	21.60	UFR1500-CA-20-I	14	102.8
24"	25.80	UFR1500-CA-24-I	16	140.6
30"	32.00	UFR1500-CA-30-I	20	179.0
36"	38.30	UFR1500-CA-36-I	24	237.7
42"	44.50	UFR1500-CA-42-I	28	475.0
48"	50.80	UFR1500-CA-48-I	32	573.0

4" - 36" sizes include a Mechanical Joint gasket

\*\* Suitable for use on C909 up through 16".



# Uni-Flange® Series 1500 and 1500R

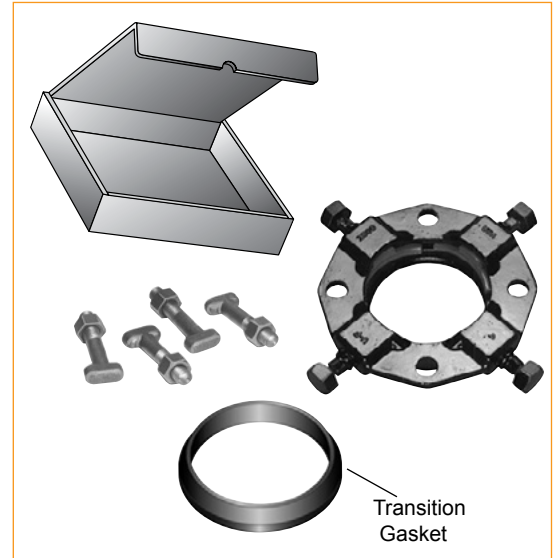
## MJ Retainer Gland Joint Restraint for PVC Pipe (Packaged with Accessories)

### 1500-S with Transition Gasket Kit

The Uni-Flange® Series 1500 packaged with accessories is a convenient way to deliver all the components required to install a Series 1500 restraint. Sizes 3" through 12" are shipped shrink wrapped in a weather resistant carton.

#### Pipe Pressure Rating for IPS PVC Pipe Sizes 3" - 12"

ASTM D2241		
SDR17	SDR21	SDR26
250 PSI	200 PSI	160 PSI



#### Rapid Install Design - ASTM D2241 IPS PVC Only

NOM. PIPE SIZE	PIPE O.D. (INCHES)	CATALOG NUMBER	NO. OF RESTRAINT SEGMENTS	APPROX. WEIGHT (LBS.)
4"	4.50	UFR1500R-SA-4-U	2	12.50
6"	6.63	UFR1500R-SA-6-U	3	18.00

#### Domestic Series 1500-SA for IPS PVC Packaged with Accessories 3" - 12"

NOM. PIPE SIZE	PIPE O.D. (INCHES)	CATALOG NUMBER	NO. OF RESTRAINT SEGMENTS	APPROX. WEIGHT (LBS.)
3"	3.50	UFR1500-SA-3-U	2	12.00
4"	4.50	UFR1500-SA-4-U	4	14.20
6"	6.63	UFR1500-SA-6-U	6	20.10
8"	8.63	UFR1500-SA-8-U	6	25.00
10"	10.75	UFR1500-SA-10-U	8	33.00
12"	12.75	UFR1500-SA-12-U	8	38.00

#### Imported Series 1500-SA for IPS PVC Packaged with Accessories 3" - 12"

NOM. PIPE SIZE	PIPE O.D. (INCHES)	CATALOG NUMBER	NO. OF RESTRAINT SEGMENTS	APPROX. WEIGHT (LBS.)
3"	3.50	UFR1500-SA-3-I	2	10.70
4"	4.50	UFR1500-SA-4-I	2	12.50
6"	6.63	UFR1500-SA-6-I	3	18.00
8"	8.63	UFR1500-SA-8-I	4	23.00
10"	10.75	UFR1500-SA-10-I	8	33.00
12"	12.75	UFR1500-SA-12-I	8	38.00

#### PACKAGE CONTAINS

- 1 - Series 1500 retainer gland
- 1 - Set of high strength, low alloy T-bolts & nuts (AWWA C111)
- 1 - Transition Gasket

# Uni-Flange® Series 1500 and 1500R

## MJ Retainer Gland Joint Restraint for PVC Pipe (Packaged with Accessories)

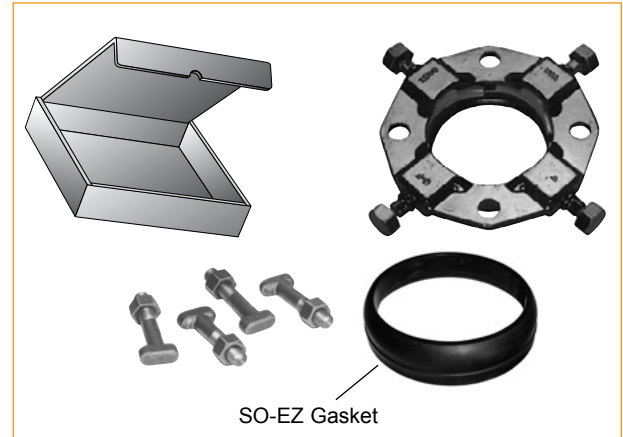
### SO-EZ Gasket Kit

The Uni-Flange® Series 1500 packaged with accessories is a convenient way to deliver all the components required to install a Series 1500 restraint. Sizes 3" through 12" are shipped shrink wrapped in a weather resistant carton.

#### Pipe Pressure Rating for C900, IPS PVC, C909 and \*SDR35 Pipe Sizes 3" - 12"

C900			ASTM D2241		C909	*SDR35
DR25	DR18	DR14	SDR26	SDR21	PC235	
165 PSI	235 PSI	305 PSI	160 PSI	200 PSI	235 PSI	50 PSI

**\*Note:** SDR35 sewer applications require NBR (Buna-N) gasket, add "-N" to catalog number. Example: UFR1500-ZA-6-N-U. Contact factory for pricing.



#### Rapid Install Design for C900, C909, IPS PVC and \*SDR35

NOM. PIPE SIZE	PIPE O.D. (INCHES)	CATALOG NUMBER	NO. OF RESTRAINT SEGMENTS	APPROX. WEIGHT (LBS.)
4"	4.50-4.80	UFR1500R-ZA-4-U	2	12.50
6"	6.63-6.90	UFR1500R-ZA-6-U	3	18.00

#### Domestic Series 1500 for C900, C909, IPS PVC and \*SDR35 3" - 12" Packaged with Accessories

NOM. PIPE SIZE	PIPE O.D. (INCHES)	CATALOG NUMBER	NO. OF RESTRAINT SEGMENTS	APPROX. WEIGHT (LBS.)
3"	3.50	UFR1500-ZA-3-U	2	10.70
*4"	4.22 - 4.80	UFR1500-ZA-4-U	4	12.50
*6"	6.28 - 6.90	UFR1500-ZA-6-U	6	18.00
*8"	8.40 - 9.05	UFR1500-ZA-8-U	6	25.00
*10"	10.50 - 11.10	UFR1500-ZA-10-U	8	33.00
*12"	12.50 - 13.20	UFR1500-ZA-12-U	8	38.00

#### Imported Series 1500 for C900, C909, IPS PVC and \*SDR35 3" - 12" Packaged with Accessories

NOM. PIPE SIZE	PIPE O.D. (INCHES)	CATALOG NUMBER	NO. OF RESTRAINT SEGMENTS	APPROX. WEIGHT (LBS.)
3"	3.50	UFR1500-ZA-3-I	2	10.70
*4"	4.22 - 4.80	UFR1500-ZA-4-I	2	12.50
*6"	6.28 - 6.90	UFR1500-ZA-6-I	3	18.00
*8"	8.40 - 9.05	UFR1500-ZA-8-I	4	23.00
*10"	10.50 - 11.10	UFR1500-ZA-10-I	8	33.00
*12"	12.50 - 13.20	UFR1500-ZA-12-I	8	38.00

#### PACKAGE CONTAINS

- 1 - Series 1500 retainer gland
- 1 - Set of high strength, low alloy T-bolts & nuts (AWWA C111)
- 1 - SO-EZ Gasket

# SO-EZ Gasket

## Gasket for Mechanical Joint Connections Sizes 3" - 12"

The SO-EZ Gasket simplifies mechanical joint installations and can be used on any mechanical joint gland meeting AWWA C111. The design and flexibility of the gasket permits compression to pipe ODs of IPS PVC, C900 PVC, ductile iron and \*SDR35 (must use Buna-N on SDR35), all with just one gasket.

### How it works:

The key to this amazing gasket is that it snaps onto the MJ gland, rather than having to be manually forced into the MJ socket. As the gland and gasket are engaged to the valve or fitting, the design of the gasket centers and maintains alignment of the pipe and the gland/gasket during assembly. Proper tightening of the tee-bolts and proper lubrication ensures excellent gasket compression within the MJ socket and against the pipe.

### Features:

- Snaps to MJ Gland or MJ Restraint Gland
- Gasket maintains alignment of pipe and gland/gasket assembly
- For use with IPS PVC, C900 PVC and ductile iron pipe sizes 3" - 12"
- SBR rubber is NSF Standard 61 approved
- Gland/Gasket Assembly can be loosely pre-assembled to the MJ fitting above ground for a stab-fit insertion



CATALOG NUMBER	DESCRIPTION
<b>SO-EZ-3</b>	3" SO-EZ Gasket for Mechanical Joint Connection
<b>SO-EZ-4</b>	4" SO-EZ Gasket for Mechanical Joint Connection
<b>SO-EZ-6</b>	6" SO-EZ Gasket for Mechanical Joint Connection
<b>SO-EZ-8</b>	8" SO-EZ Gasket for Mechanical Joint Connection
<b>SO-EZ-10</b>	10" SO-EZ Gasket for Mechanical Joint Connection
<b>SO-EZ-12</b>	12" SO-EZ Gasket for Mechanical Joint Connection
<b>SO-EZ-3-AK</b>	3" SO-EZ Gasket Packaged with T-Bolts and Nuts
<b>SO-EZ-4-AK</b>	4" SO-EZ Gasket Packaged with T-Bolts and Nuts
<b>SO-EZ-6-AK</b>	6" SO-EZ Gasket Packaged with T-Bolts and Nuts
<b>SO-EZ-8-AK</b>	8" SO-EZ Gasket Packaged with T-Bolts and Nuts
<b>SO-EZ-10-AK</b>	10" SO-EZ Gasket Packaged with T-Bolts and Nuts
<b>SO-EZ-12-AK</b>	12" SO-EZ Gasket Packaged with T-Bolts and Nuts
<b>SO-EZ-3-MJPACK</b>	3" SO-EZ Gasket Packaged with T-Bolts/Nuts and Standard MJ Gland
<b>SO-EZ-4-MJPACK</b>	4" SO-EZ Gasket Packaged with T-Bolts/Nuts and Standard MJ Gland
<b>SO-EZ-6-MJPACK</b>	6" SO-EZ Gasket Packaged with T-Bolts/Nuts and Standard MJ Gland
<b>SO-EZ-8-MJPACK</b>	8" SO-EZ Gasket Packaged with T-Bolts/Nuts and Standard MJ Gland
<b>SO-EZ-10-MJPACK</b>	10" SO-EZ Gasket Packaged with T-Bolts/Nuts and Standard MJ Gland
<b>SO-EZ-12-MJPACK</b>	12" SO-EZ Gasket Packaged with T-Bolts/Nuts and Standard MJ Gland

\* SDR35 sewer applications require NBR (Buna-N) gasket, add "-N" to end of catalog number.  
Example: SO-EZ-6-N

# TGA Transition Gasket (Patent Pending)

## Transition Gasket for IPS (Steel Size) Pipe and Steel Pipe Sizes 14" - 24"

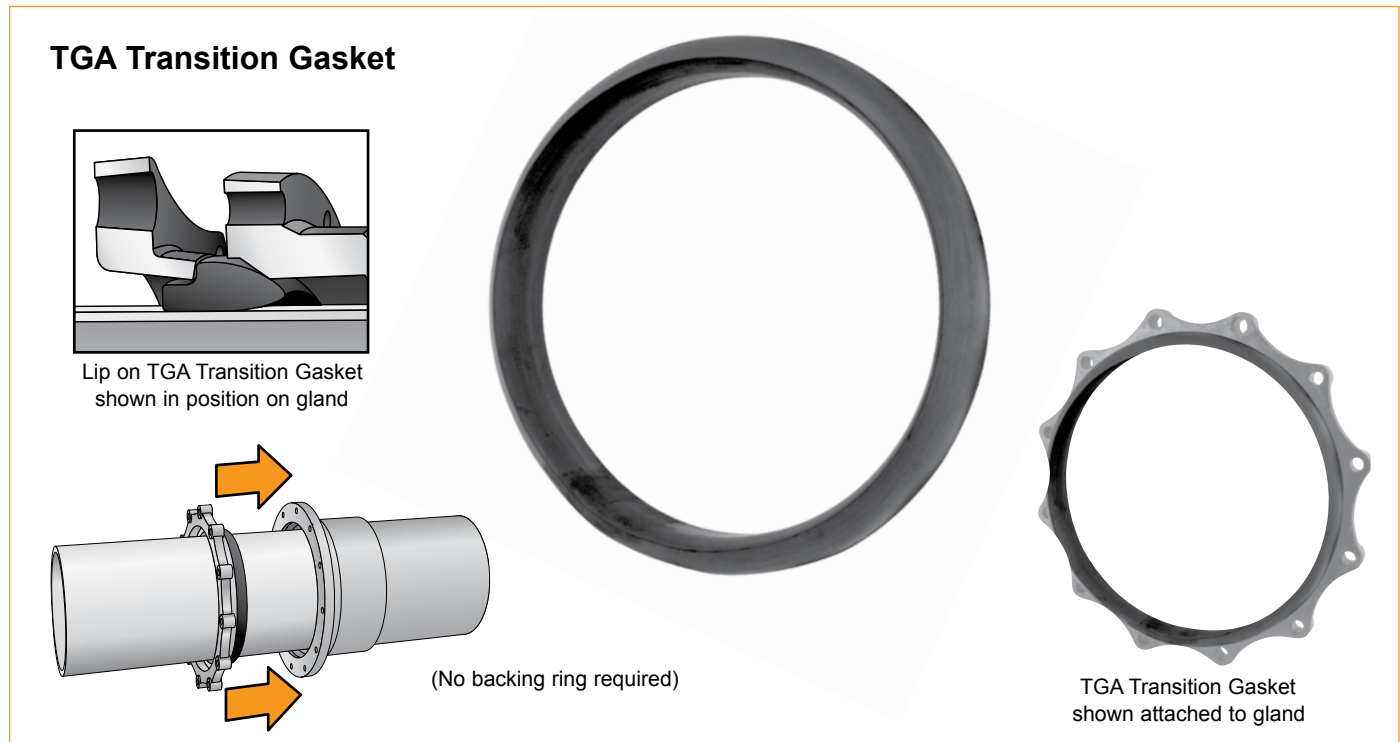
The transition gasket fills the gap when used on IPS pipe connecting to mechanical joint fittings, to restrained or reducing couplings (transitioning from DI to IPS pipe) and to restrained flange adapters.

### How it works:

The gasket snaps to the inside diameter compression lip of the MJ gland and can be installed on the pipe as one unit. The built-in lip on the gasket acts as a centering aid for the gland, to simplify installation.

### Features:

- 250 PSI rated working pressure on steel pipe with a 2:1 safety factor. For PVC, full rating of the pipe with a 2:1 safety factor
- Snaps to compression lip I.D.
- Gasket maintains alignment of pipe and gland/gasket assembly
- For use with steel pipe and IPS (steel size) pipe 14" – 24"
- No backing ring required
- Gaskets for ISO pipe available, contact factory for details



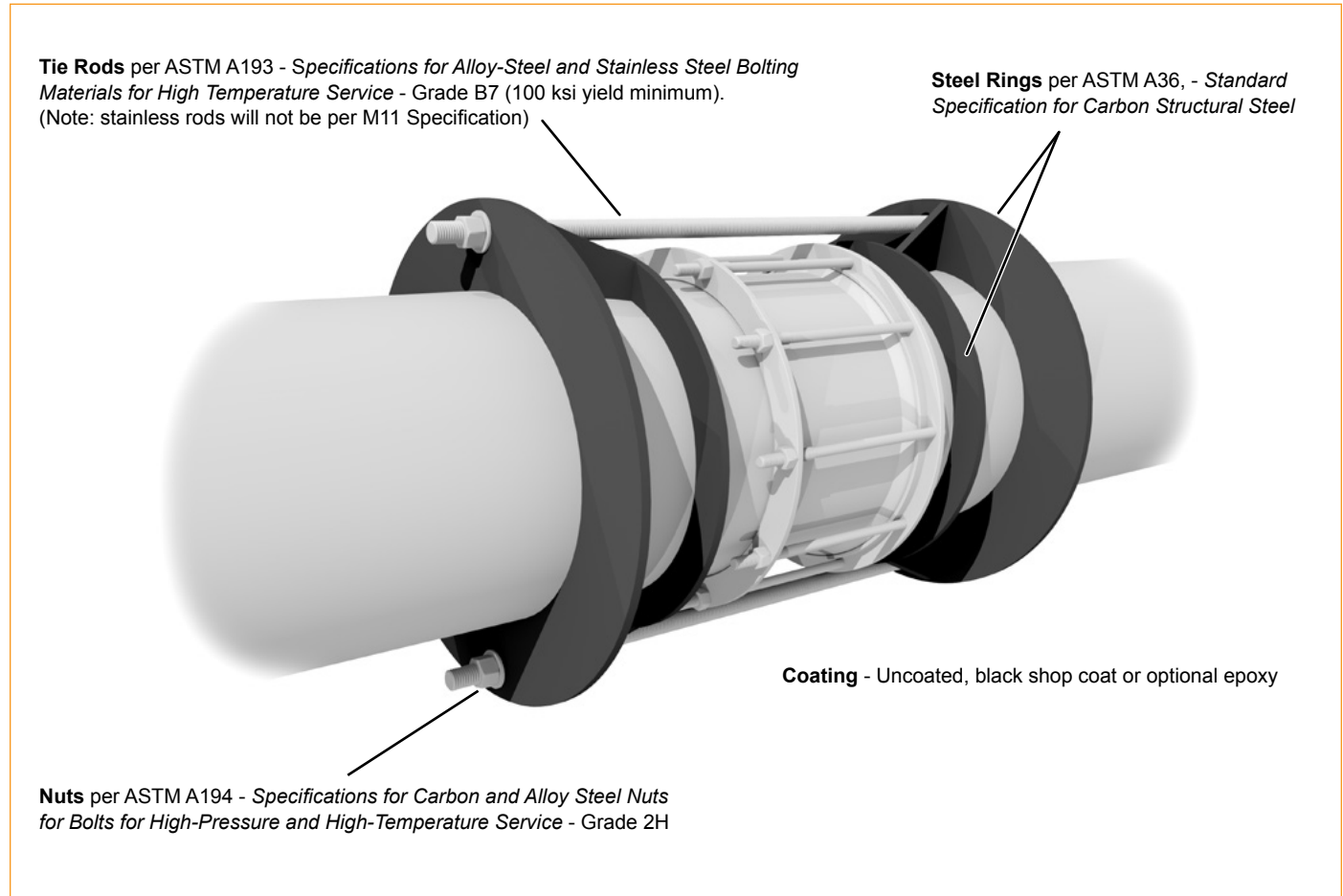
CATALOG NUMBER	DESCRIPTION
TGA-14	14" Transition MJ Gasket
TGA-16	16" Transition MJ Gasket
TGA-18	18" Transition MJ Gasket
TGA-20	20" Transition MJ Gasket
TGA-24	24" Transition MJ Gasket
TJAK-14-I	14" Transition Gasket Packaged with T-Bolts and Nuts
TJAK-16-I	16" Transition Gasket Packaged with T-Bolts and Nuts
TJAK-18-I	18" Transition Gasket Packaged with T-Bolts and Nuts
TJAK-20-I	20" Transition Gasket Packaged with T-Bolts and Nuts
TJAK-24-I	24" Transition Gasket Packaged with T-Bolts and Nuts
TJPACK-14-I	14" Transition Gasket Packaged with T-Bolts/Nuts and Standard MJ Gland
TJPACK-16-I	16" Transition Gasket Packaged with T-Bolts/Nuts and Standard MJ Gland
TJPACK-18-I	18" Transition Gasket Packaged with T-Bolts/Nuts and Standard MJ Gland
TJPACK-20-I	20" Transition Gasket Packaged with T-Bolts/Nuts and Standard MJ Gland
TJPACK-24-I	24" Transition Gasket Packaged with T-Bolts/Nuts and Standard MJ Gland

Gasket available in Buna-N, add "-N" to the end of the catalog number. Example: TGA-16-N

# Uni-Flange® AWWA M11 Specification - Joint Harness

## Welded Joint Harness for Steel Pipes per AWWA M11

These joint harnesses, manufactured per AWWA M11 specifications, are diameter-specific rings designed to be field welded on steel pipe to provide restraint over a coupling.



### Features:

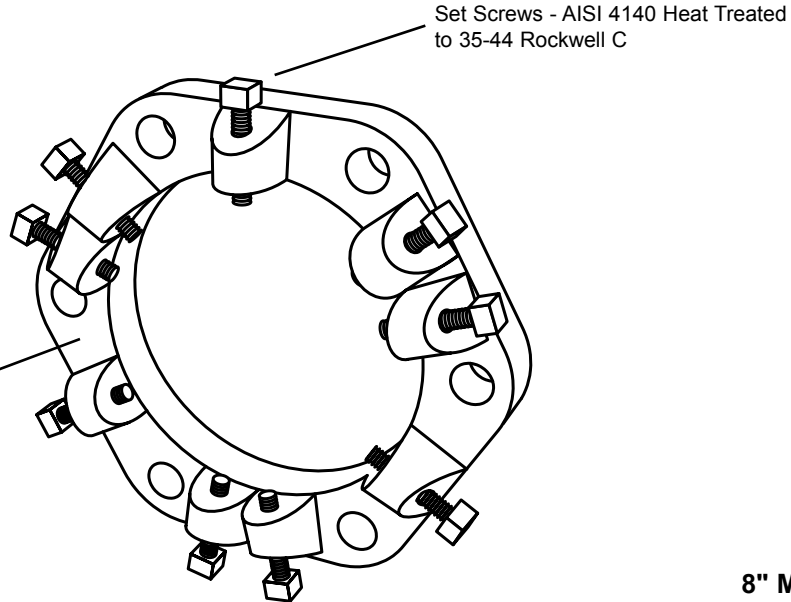
- Carbon steel hardware. Also available in 304 and 316 stainless steel (stainless steel not per M11 specification)
- Sizes available in 14" through 96"
- Available as a single section for attachment to other anchors
- Pressure ratings available through 250 psi. Please specify desired pressure to determine rod quantity and diameter
- Harness lugs and tie rod holes spaced evenly around the pipe
- Continuous rings on front and back plate (Type RR)
- Catalog part number format: M11 -xxxx (size) -x (options) -xxx (pressure)

# Uni-Flange<sup>®</sup> Retainer Glands

For Ductile Iron Mechanical Joint

## Model B Retainer Gland

Gland body is of High Strength Ductile Iron per ASTM A536, Grade 65-45-12. Compatible with all mechanical joints conforming to ANSI / AWWA C111 / A21.11. Painted black.

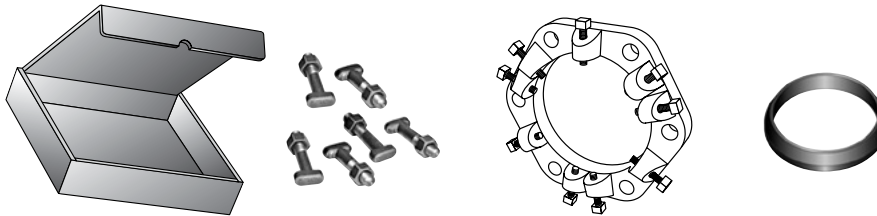


8" Model B

NOM. PIPE SIZE	ACTUAL PIPE O.D. (IN.)	CATALOG NUMBER	WWP (PSI)	NO. OF SET SCREWS IN GLAND	SET SCREW TORQUE	NO. OF T-BOLTS	MAX. ALLOW DEFLECTION PER 18 FT. LGTH.	APPROX. WT. LBS.
3"	3.96	<b>RGBS-3</b>	350	4	80	4	31"	6.5
4"	4.80	<b>RGBS-4</b>	350	4	80	4	31"	10.0
6"	6.90	<b>RGBS-6</b>	350	6	80	6	27"	12.0
8"	9.05	<b>RGBS-8</b>	350	9	80	6	20"	17.0
10"	11.10	<b>RGBS-10</b>	300	12	80	8	20"	25.0
12"	13.20	<b>RGBS-12</b>	300	16	80	8	20"	29.0

Add "-UT" to catalog number for Uni-torque Set Screw option. Example: **RGBS-12-UT**

### MODEL B RETAINER GLAND PACKAGED WITH ACCESSORIES



**RGBAS PACKAGE CONTAINS** (1) Model B heavy duty retainer gland (1) Set of high strength, low alloy T-bolts and nuts (AWWA C111), (1) Mechanical joint gasket (AWWA C111) shrink wrapped in a weather resistant carton.

NOMINAL PIPE SIZE	CATALOG NUMBER	APPROX. WEIGHT
3"	<b>RGBAS-3</b>	10.2
4"	<b>RGBAS-4</b>	13.8
6"	<b>RGBAS-6</b>	17.7
8"	<b>RGBAS-8</b>	25.3
10"	<b>RGBAS-10</b>	33.0
12"	<b>RGBAS-12</b>	39.3

# Uni-Flange<sup>®</sup> Retainer Glands

## For Ductile Iron Mechanical Joint

Nominal Size (Inches)	Deflection					
	3, 4	6	8-12	14, 16	18, 20	24
Maximum allowable deflection (in./18 ft. lgth.)	31	27	20	13.5	11	9

Consult the Ford Meter Box website for the most current installation instructions.

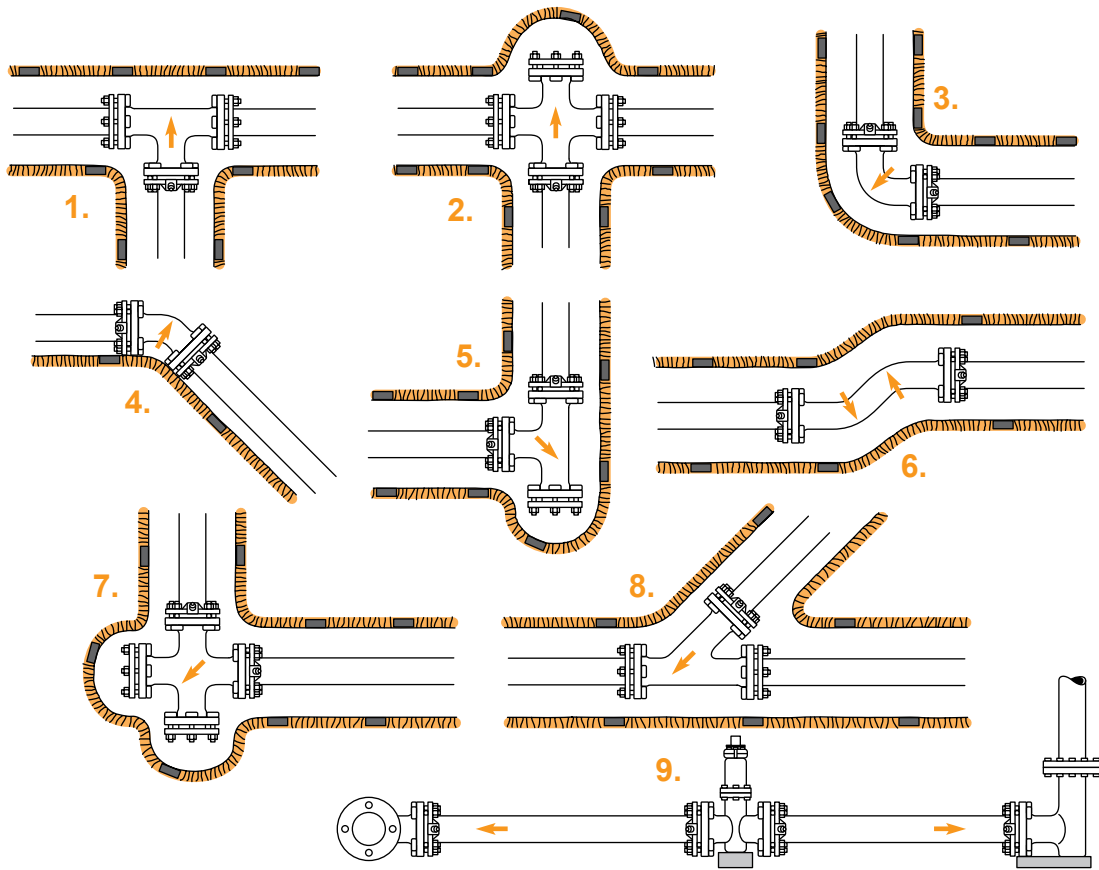
### Suggested Specification - Model B

Mechanical Joint retainer glands shall be of heavy duty design, manufactured of high strength ductile iron per ASTM A536, Grade 65-45-12. Set screws are to be of high strength low alloy steel, AISI 4140, heat treated to 35-44 Rockwell C with cup points. Drilling for set screws is to be on a 10° angle.

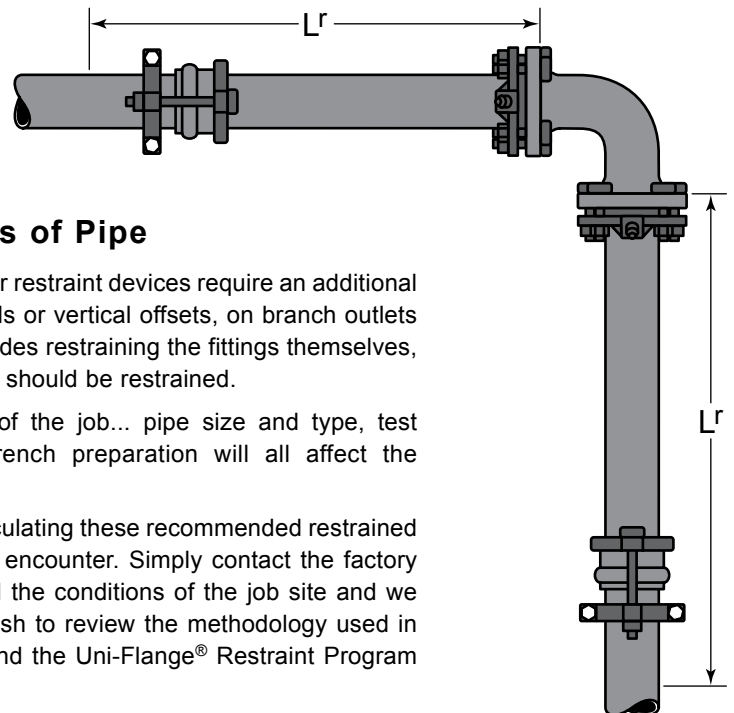




# Applications Requiring Thrust Restraint



- |  |  |  |
|--|--|--|
| 1. Thru line connection, tee               | 4. Direction change, vertical bend     | 7. Direction change, cross used as elbow |
| 2. Thru line connection, cross used as tee | 5. Direction change, tee used as elbow | 8. Thru line connection, wye             |
| 3. Direction change, elbow                 | 6. Direction change                    | 9. Hydrant runoff                        |



## Recommended Restrained Lengths of Pipe

Many applications involving Uni-Flange® Block Buster restraint devices require an additional length of pipe to be restrained on each side of bends or vertical offsets, on branch outlets of tees, before reducers and before dead-ends. Besides restraining the fittings themselves, any pipe or fitting joints that fall within these lengths should be restrained.

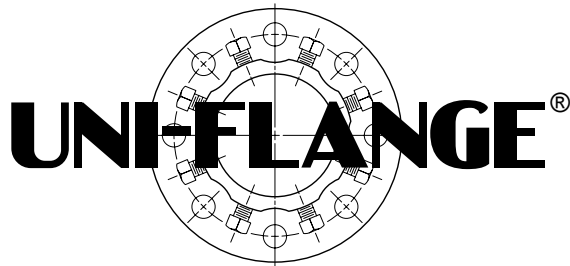
These lengths vary according to the parameters of the job... pipe size and type, test pressures, depth of bury, soil conditions and trench preparation will all affect the recommended restrained length.

Uni-Flange® engineers are ready to assist you in calculating these recommended restrained lengths of pipe for any job-site conditions you may encounter. Simply contact the factory with information on the requirements of the job and the conditions of the job site and we will reply with our recommendations. Should you wish to review the methodology used in calculating these recommended lengths, you can find the Uni-Flange® Restraint Program at: [www.fordmeterbox.com/uf/](http://www.fordmeterbox.com/uf/)





# Section U



# Pipe Restraints and Adapter Flanges

For PVC and Ductile Iron Pipe

## Warranty

All merchandise is warranted to be free from defects in material and factory workmanship for one year from date of shipment from our factory. We will provide, free of charge, new products in equal quantities for any that prove defective within one year from date of shipment from our factory. Manufacturer shall not be liable for any loss, damage, or injury, direct or consequential, arising out of the use of or the inability to use the product. Before using, user shall determine the suitability of the product for user's intended use and user assumes all risk and liability whatever in connection therewith. No claims for labor or consequential damage will be allowed. The foregoing may not be changed except by agreement signed by an officer of the manufacturer.

No other warranties are applicable or may be implied, including the implied warranty of merchantability and the implied warranty of fitness for particular purpose and any warranty relating to infringement or the like, all of which are disclaimed.

### Please Note:

Consult the Ford Meter Box Company, Inc. website ([www.fordmeterbox.com](http://www.fordmeterbox.com)) for the most recent catalog information. The Ford Meter Box Company considers the information in this catalog to be correct at the time of publication. Items and option availability, including specifications, are subject to change without notice. Please verify that your product information is current.



**The Ford Meter Box Co., Inc.** 775 Manchester Avenue, P.O. Box 443, Wabash, Indiana, USA 46992-0443  
Telephone: 260-563-3171 FAX: 1-800-826-3487 Overseas FAX: 260-563-0167 [www.fordmeterbox.com](http://www.fordmeterbox.com)