



a Geberit company

2100 South Clearwater Drive
Des Plaines, IL 60018
Phone: 847-803-5000
Fax: 847-803-5454
www.chicagofaucets.com

FOR TECHNICAL ASSISTANCE
1-800-TEC-TRUE (1-800-832-8783)

REPAIR PARTS

BY: SID DATE: 06-07-16

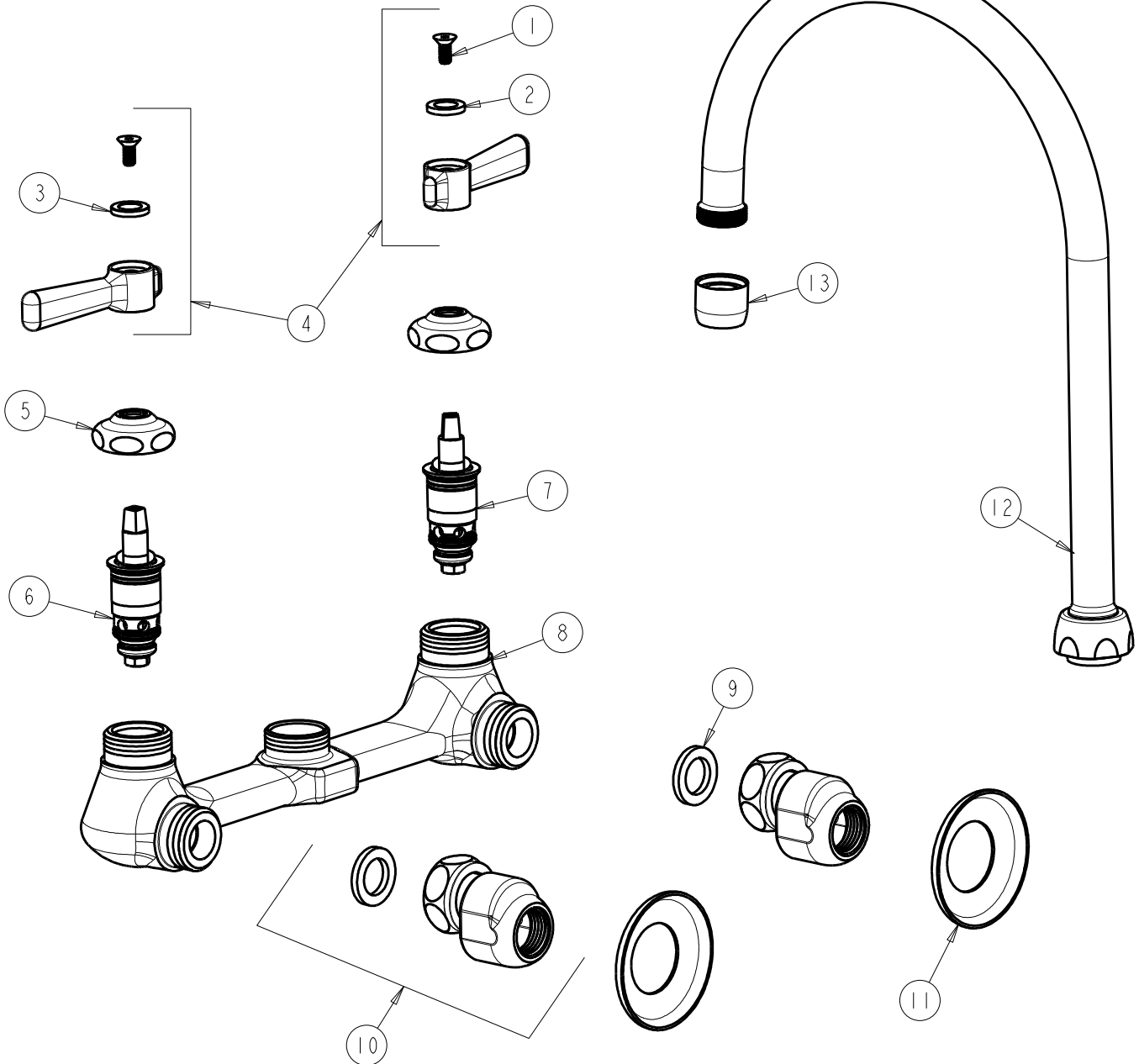
CHK: *AK* REV:

FITTING NO.

540-LDGN8AE35ABCP

SUBMITTED MODEL NO.

ITEM NO.



ITEM	PART NO.	DESCRIPTION	ITEM	PART NO.	DESCRIPTION
1	420-020JKNF	SCREW, 1/8 FLAT HEX HEAD X 1/2	8	-----	VALVE BODY (NOT SOLD SEPARATELY)
2	633-023JKNF	INDEX BUTTON (RED)	9	1-011JKABNF	WASHER, .97 X .62 X .12
3	633-123JKNF	INDEX BUTTON (BLUE)	10	GJKABCP	ARM ASSEMBLY w/WASHER
4	369-PRJKCP	HANDLE, 2-3/8" LEVER (PAIR)	11	1-055JKCP	FLANGE
5	1-214JKCP	CAP	12	GN8JKABCP	SPOUT, GN 8" C-C
6	1-099XTJKABNF	QUATURN CARTRIDGE (RH)	13	E35JKABCP	OUTLET, AERATOR 1.5 GPM
7	1-100XTJKABNF	QUATURN CARTRIDGE (LH)			