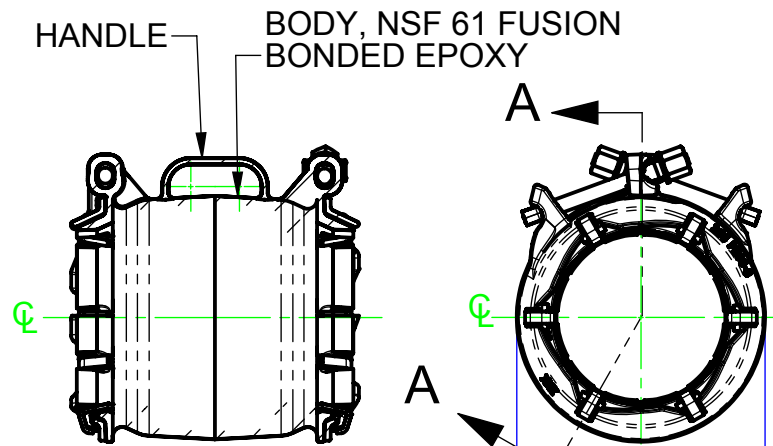


SIZE	PIPE OD RANGE	BODY OD	LENGTH	HEIGHT	MAX PRESSURE (PSI)	MAX DEFLECTION (DEGREES)	APPX. WEIGHT (LBS)
		Ø A	B	C			
4	4.50-4.90	8.15	11.80	9.76	350	4	40
6	6.60-7.00	10.35	11.98	11.98	350	4	50
8	8.60-9.10	13.47	13.23	15.10	350	4	75
10	10.75-11.20	15.56	13.25	17.18	350	4	95
12	12.75-13.30	17.58	13.30	19.21	350	4	100

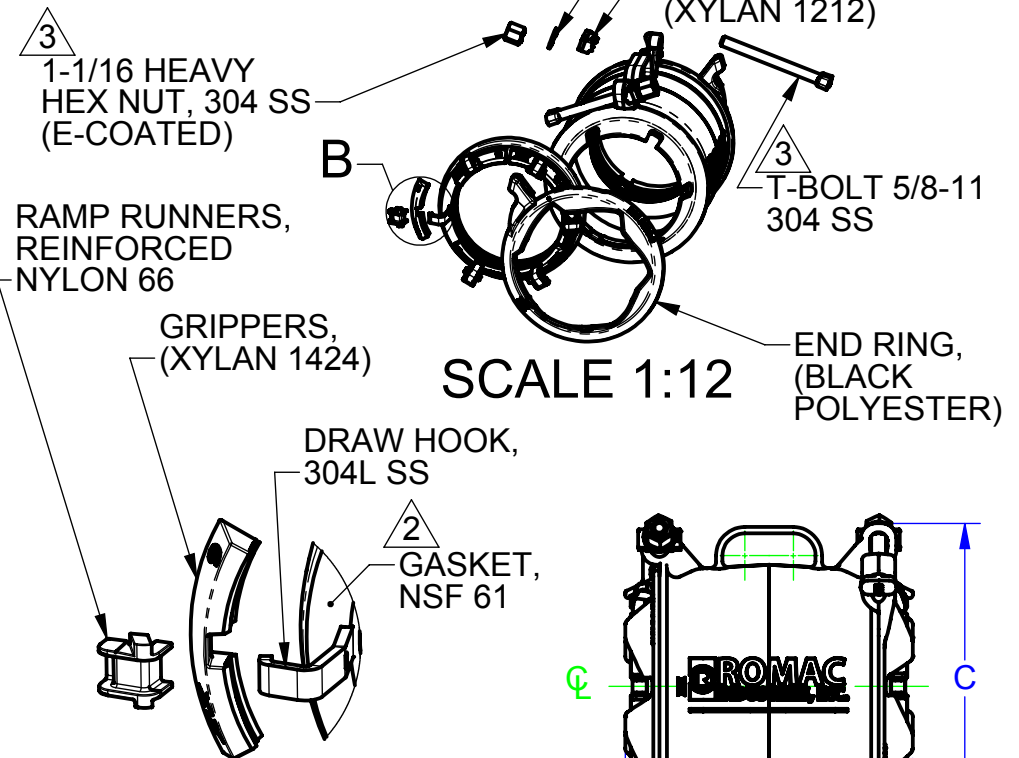
REVISIONS					
REV.	DESCRIPTION	SHEET #	DATE	EDITOR	
R0	A	INITIAL RELEASE	1	7/8/19	TJM



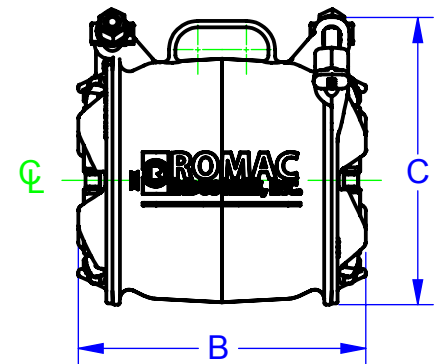
SECTION A-A

NOTES:

1. ALL MATERIALS ASTM A536 GRADE 65-45-12 DUCTILE IRON UNLESS OTHERWISE SPECIFIED.
2. GASKET MATERIAL: NSF 61 SBR PER ASTM D2000, NSF 61 NBR AVAILABLE UPON REQUEST.
3. FASTENER MATERIAL: TYPE 304 STAINLESS STEEL, 316 IS AVAILABLE UPON REQUEST.
4. BOLT GUIDE COATING BLACK XYLAN 1212. BLACK E-COAT UPON REQUEST.
5. MINIMUM PIPE INSERTION IS 4 INCHES.



**DETAIL B
SCALE 1 : 3**



<p>PROPRIETARY NOTICE</p> <p>THIS DRAWING CONTAINS CONFIDENTIAL PROPRIETARY INFORMATION AND IS THE PROPERTY OF ROMAC IND., INC. IT IS TO BE USED ONLY FOR THE PURPOSE FOR WHICH IT WAS SUBMITTED AND SHALL NOT HAVE ITS INFORMATION DISCLOSED OR REPRODUCED IN WHOLE OR IN PART FOR ANY PURPOSE WITHOUT PRIOR WRITTEN PERMISSION OF ROMAC IND., INC.</p>		<p>UNLESS OTHERWISE SPECIFIED</p> <ul style="list-style-type: none"> • DIMENSIONS ARE IN INCHES • DRAWING NOT PERFECTLY TO SCALE 		<p>SIGNATURES</p> <p>DRAWN Tyler Matthews</p> <p>APPROVED Caitlin Boone</p>		<p>DATE</p> <p>7/8/2019</p> <p>7/8/2019</p>		<p>ROMAC INDUSTRIES INC.</p> <p>TITLE ALPHA COUPLING, 4-12 INCH, STANDARD</p>					
<p>MODEL NAME: ALPHA, COUPLING, ASSEMBLY, 4 INCH MODEL CAD #: CAD-045814</p>		<p>CONFIGURATION NAME: Default</p>		<p>THIRD ANGLE PROJECTION</p>		<p>DWG. NO. CAD-045677</p>			<p>SIZE A</p>	<p>REV. NO. R0</p>	<p>SCALE 1:8</p>	<p>SHEET 1 OF 1</p>	<p>AUTHOR: Tyler Matthews</p>

FOR CUSTOMER USE

RELEASED