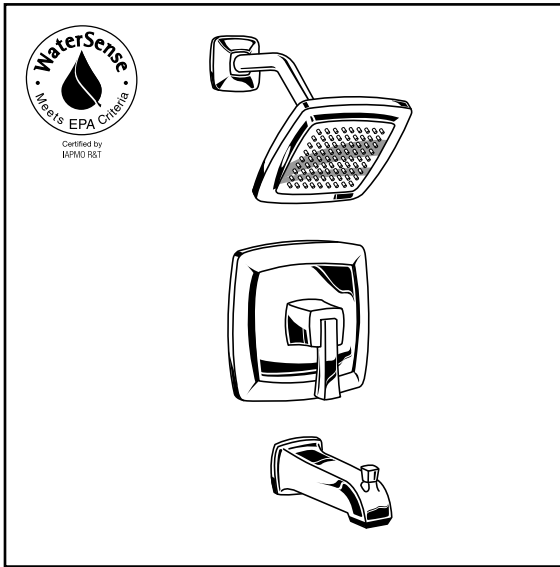


PRESSURE BALANCE BATH/SHOWER FITTING WITH WATER-SAVING SHOWERHEAD



T343.508 Bath/Shower Trim Shown

GENERAL DESCRIPTION:

SHOWERHEAD

Water-saving single function 6" showerhead offers 30% water savings at maximum 1.8 gpm / 6.8L/min. flow rate.

WALL TUB SPOUT

Metal slip-on diverter spout.

WALL VALVE TRIM

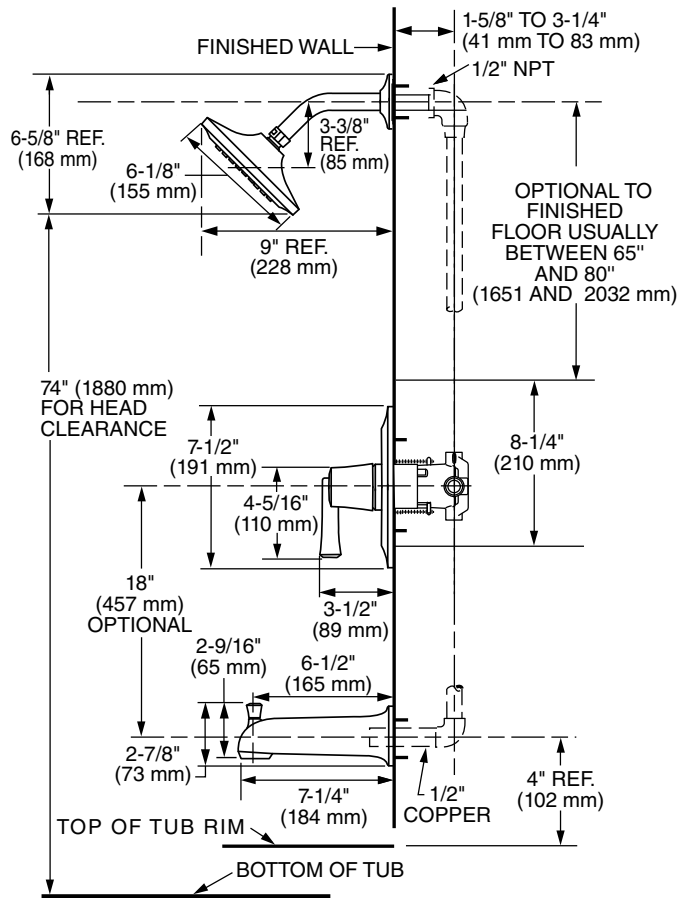
Available with metal lever handle. Brass wall escutcheon.

MODEL NUMBER:

TRIM KITS:

- T353.508 Townsend BATH/SHOWER Trim Kit**
Lever handle. Water-Saving showerhead.
LESS valve body.
- T353.507 Townsend SHOWER ONLY Trim Kit**
Lever handle. Water-Saving showerhead.
LESS valve body.

For use with R110 Series Pressure Balance Valves. See reverse side for available Rough Valves.



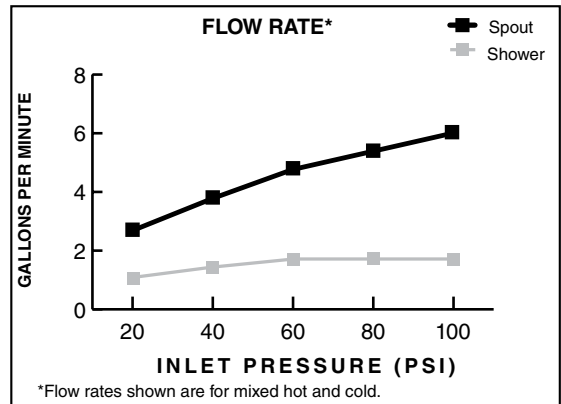
SUGGESTED SPECIFICATION

Bath/shower fitting shall feature brass square rain showerhead with Max. 1.8 gpm / 6.8L/min. flow rate. Fitting shall be: American Standard - Trim Kit Model # T353.50_._._ and Valve Body Model # R11_.

CODES AND STANDARDS

These products meet or exceed the following codes and standards:

- ANSI A117.1
- ASSE 1016
- ASME A112.18.1
- CSA B125.1



MODIFICATIONS	Parts Suffix*
IPS Spout 	__IPT
Factory Installed Decal Ring (Red/Blue) 	__WD

*To modify a product, add suffix after the 4th digit (ex. T064**ITP**502.002)

TRIM KITS *	Product Number	Description	Finish Options			
			Polished Chrome	PVD Polished Nickel	Legacy Bronze	PVD Brushed Nickel
			002	013	278	295
T353.508	Bath/Shower Trim Kit. Metal lever handle. Water-Saving showerhead. LESS valve body.					
T353.507	Shower Only Trim Kit. Metal lever handle. Water-saving showerhead. LESS valve body.					

* TRIM & ROUGH MUST BE ORDERED SEPARATELY.

ROUGH VALVE BODIES	Product Number	Description
	R111	Rough Valve Body less trim. Universal inlets/outlets.
	R111SS	Rough Valve Body less trim. Universal inlets/outlets with Screwdriver Stops.
	R110	Rough Valve Body less trim. Direct sweat inlets/outlets.
	R110SS	Rough Valve Body less trim. Direct sweat inlets/outlets with Screwdriver Stops.
	R115	Rough Valve Body less trim. Female Thread inlets/outlets.
	R115SS	Rough Valve Body less trim. Female Thread inlets/outlets with Screwdriver Stops.
	R117	Rough Valve Body less trim. PEX inlets/universal outlets for Crimp Ring PEX system (ASTM F1807).
	R117SS	Rough Valve Body less trim. PEX inlets/universal outlets for Crimp Ring PEX system (ASTM F1807) with Screwdriver Stops.
	R118	Rough Valve Body less trim. PEX inlets/universal outlets for Cold Expansion PEX system (ASTM F1960).
	R118SS	Rough Valve Body less trim. PEX inlets/universal outlets for Cold Expansion PEX system (ASTM F1960) with Screwdriver Stops.
	R119	Rough Valve Body less trim. CPVC inlets/universal outlets.
R119SS	Rough Valve Body less trim. CPVC inlets/universal outlets with Screwdriver Stops.	

Meets the American Disabilities Act Guidelines and **ANSI A117.1** Requirements for the physically challenged.