




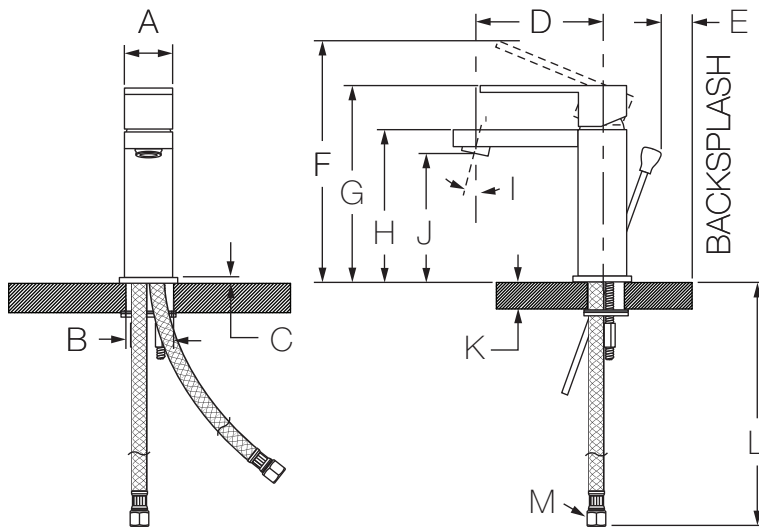


SLS-3612-1.5, SLS-3610-1.5
Single Handle Lavatory Faucet
Operation & Maintenance Manual



Model Numbers	Feature Highlights
<input type="checkbox"/> SLS-3612-1.5 <i>Single Handle Lavatory Faucet with Metal Drain Assembly</i> <input type="checkbox"/> SLS-3610-1.5 <i>Single Handle Lavatory Faucet</i>	<ul style="list-style-type: none"> • Single hole mount • Quarter turn ceramic control cartridge • Braided hose connections (3/8" compression) • 6-7/8" height • Metal drain assembly (SLS-3612 series only) • Standard 1.5 gpm (5.7 L/min) aerator • Shall be made from metal construction, plated in standard polished chrome finish 
Options/Modifications	Compliance
<input type="checkbox"/> -0.5  <i>0.5 gpm (1.9 L/min) aerator</i> <input type="checkbox"/> -1.0  <i>1.0 gpm (3.8 L/min) aerator</i> <input type="checkbox"/> -DP4 <i>4" deck plate for single hole mount faucets</i> Note: Append appropriate -suffix to model number.	  <ul style="list-style-type: none"> - ASME A112.18.1/CSA B125.1 - NSF/ANSI 61.9; NSF/ANSI 372 - WaterSense 1.5 gpm (5.7 L/min) only
Finish Modifications	Warranty
<input type="checkbox"/> -BBZ <i>Brushed Bronze finish</i> <input type="checkbox"/> -MB <i>Matte Black finish</i> <input type="checkbox"/> -STN <i>Satin Nickel finish</i> Note: Append appropriate -suffix to model number.	Limited Lifetime - to the original end purchaser in consumer installations. 5 Years - for commercial installations. Refer to www.symmons.com/warranty for complete warranty information.

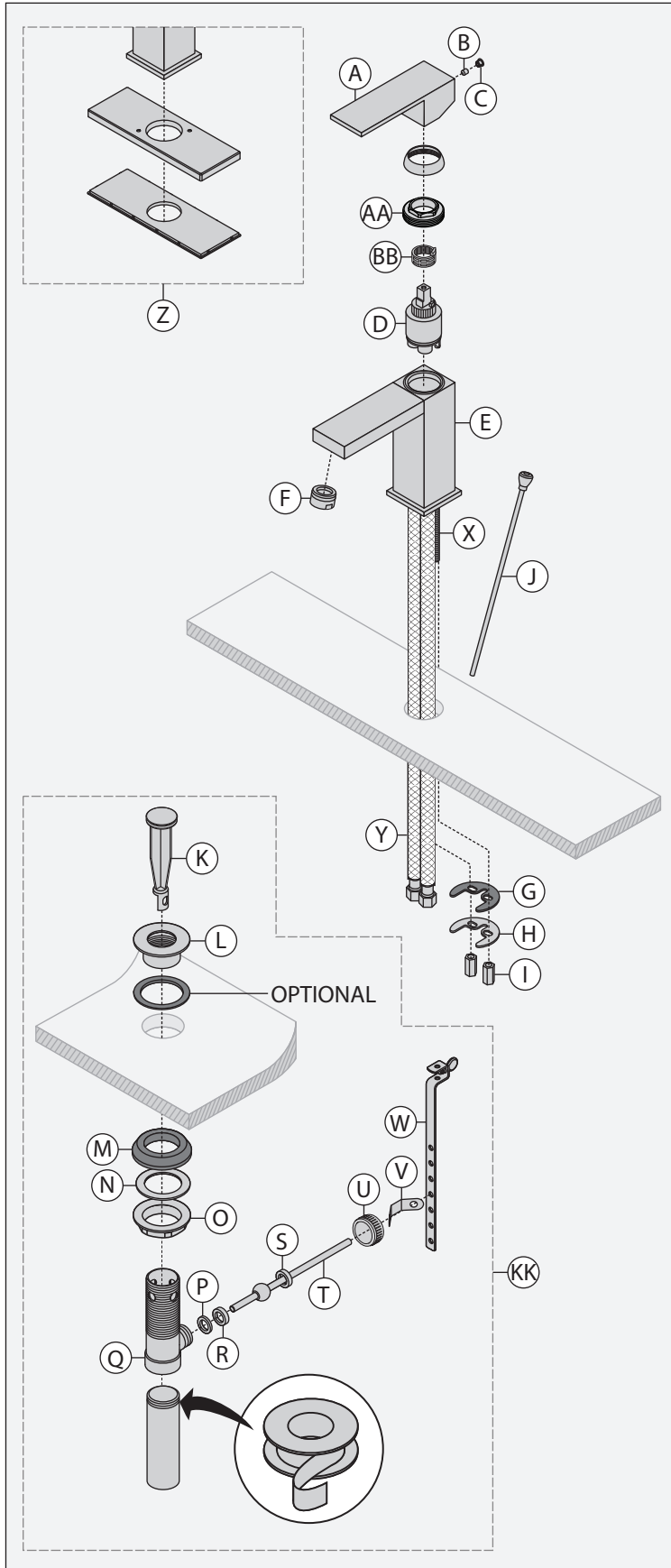
Dimensions



Note: Dimensions subject to change without notice.

Measurements	
A	1-11/16", 43 mm
B	Hole Size: Min. Ø 1-1/4", 32 mm Max. Ø 1-1/2", 38 mm
C	3/16", 5 mm
D	4-7/16", 113 mm
E	Min. 2-1/2", 64 mm
F	8-7/16", 214 mm
G	6-7/8", 175 mm
H	5-5/16", 135 mm
I	12°
J	4-7/16", 113 mm
K	Deck Thickness Ref. Min. 7/8", 22 mm Max. 2-1/2", 64 mm
L	24", 610 mm
M	(2x) 3/8" compression fitting

Parts Breakdown







Replacement Parts

Item	Description	Part Number
A	Handle	
B	Set Screw	LN-01416*
C	Plug Button	
AA	Compression Nut	
BB	Limit Stop	RL-069
D	Cartridge	
BB	Limit Stop	
D	Cartridge	RL-070
F	Aerator 1.5 Aerator 1.0 Aerator 0.5	RL-059-1.5* RL-059-1.0* RL-059-0.5*
J	Lift Rod	
K	Stopper	
T	Ball Rod	RL-014*
KK	Pop-up Assembly	RL-154LR-11*
J	Lift Rod	RL-015*
K	Stopper	RL-016*
G, H	Mounting Gaskets (2x)	
I	Fasteners	RL-011
Y	Supply Hose	
Z	Deck Plate	RL-082*

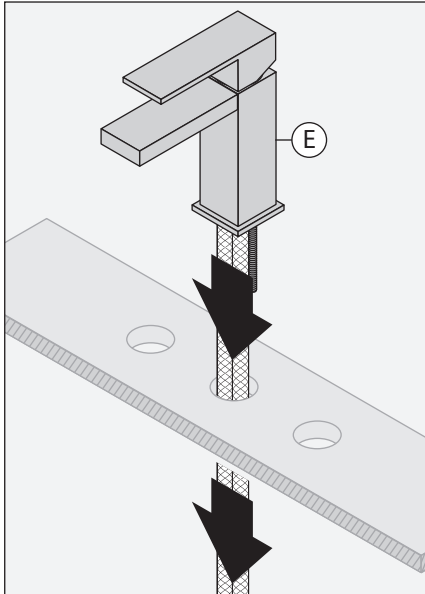
***Note:** Append appropriate finish -suffix to part number for premium finish.

Tools Required

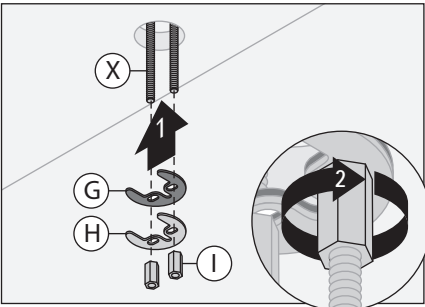
Adjustable wrench	
Allen wrench 2.5mm	
Plumber tape	
Plumber putty	

Installation

1) Insert faucet body (E) through deck surface.

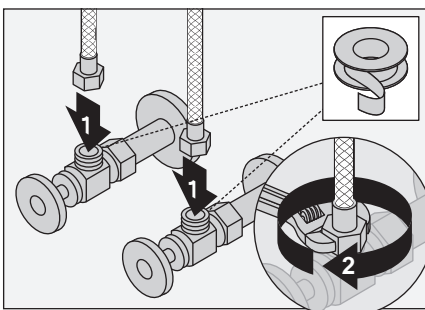


2) Slide mounting gasket (G) and metal washer (H) on to fasteners (X). Secure with mounting nuts (I).

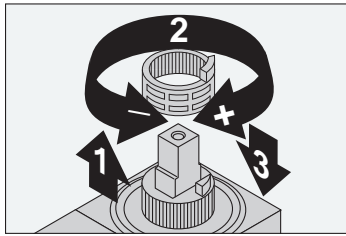


Note: Hoses removed for clarity.

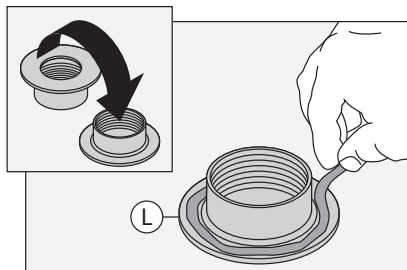
3) Install plumber tape to inlets of shut-off valves. Attach supply lines to shut-off valves and hand tighten. Using a wrench, finish with one-half turn. **DO NOT** overtighten.



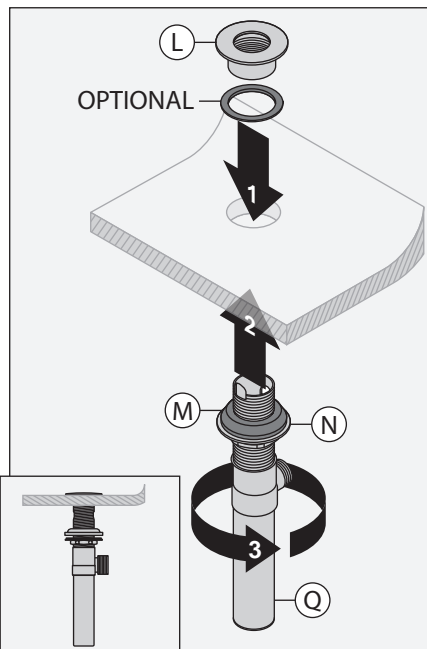
Optional: Adjust limit stop washer to limit handle turn to the hot position if desirable.



4) Apply plumber putty to underside of flange (L).

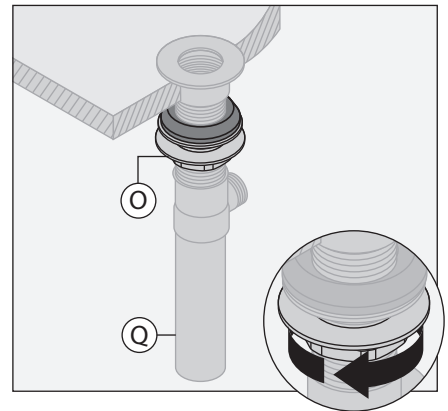


5) Insert flange (L) into drain opening. From below, attach drain body (Q) with gasket (M) and washer (N) to flange (2-3 turns until hand tight).



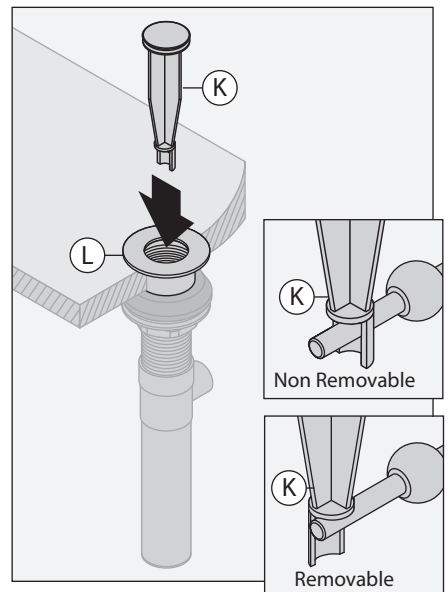
Note: Make sure drain cavity (on drain body) faces rear of sink.

6) From below, tighten flange nut (O) to secure drain body (Q). **DO NOT** overtighten.



Note: Make sure flange is centered in drain opening.

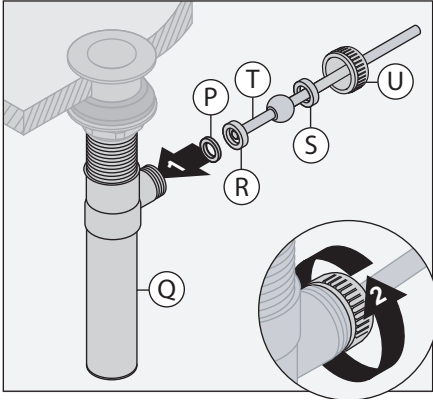
7) Insert stopper (K) into flange (L) and rotate to proper position.



Note: Stopper can be installed removable or non-removable determined by eye hole position.

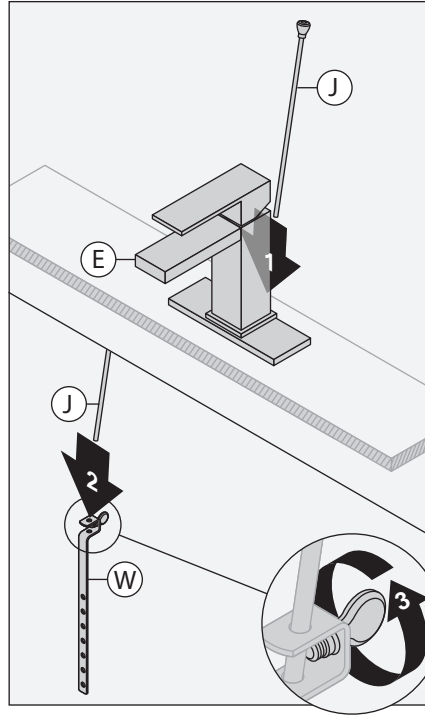
Installation

- 8) Insert pivot rod (T) into drain body (Q) against gasket (P) and inner seat (R). Install outer seat (S) against pivot ball and secure assembly by tightening retaining nut (U).

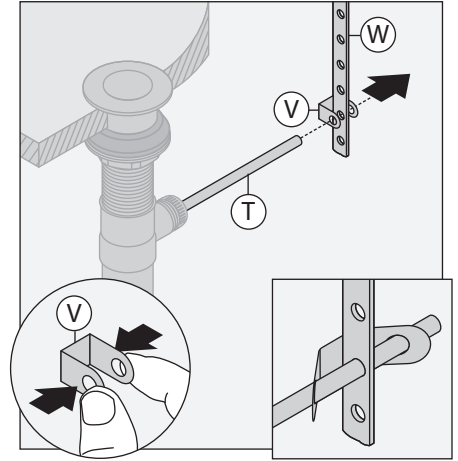


Note: Pivot rod passes under stopper.

- 9) Insert lift rod (J) into back of faucet body (E). From below, attach clevis strap (W) to lift rod (J). Tighten thumb screw to secure.



- 10) With stopper in closed location, insert pivot rod (T) into clevis strap (W). Secure with spring clip (V).



- 11) To adjust stopper, select another hole in clevis strap or loosen thumb screw to slightly raise or lower lift rod.

- 12) Attach drain body to drain trap.

Troubleshooting Chart

Problem	Cause	Solution
Finish is spotting.	Elements in water supply may cause water staining on finish.	Clean finished trim area with a soft cloth using mild soap and water or a non-abrasive cleaner and then quickly rinse with water.
Faucet is leaking from handle or faucet body.	Cartridge o-rings are worn or foreign matter (dirt, chips) is lodged between cartridge and o-rings.	Remove cartridge and inspect for foreign matter. Replace cartridge if necessary.
Faucet no longer maintains desired temperature.	Hard water deposits inside of cartridge is preventing accurate mix of hot and cold water.	Soak cartridge in white vinegar for 1 hour to breakdown hard water deposits, then rinse with water. Replace cartridge if necessary.

⚠ WARNING: This product can expose you to chemicals including lead, which is known to the state of California to cause cancer, birth defects, or other reproductive harm. For more information, go to www.P65Warnings.ca.gov.