



Location:

SLS-3612-1.5, SLS-3610-1.5
Single Handle Lavatory Faucet
Specification Submittal







SLS-3612-1.5

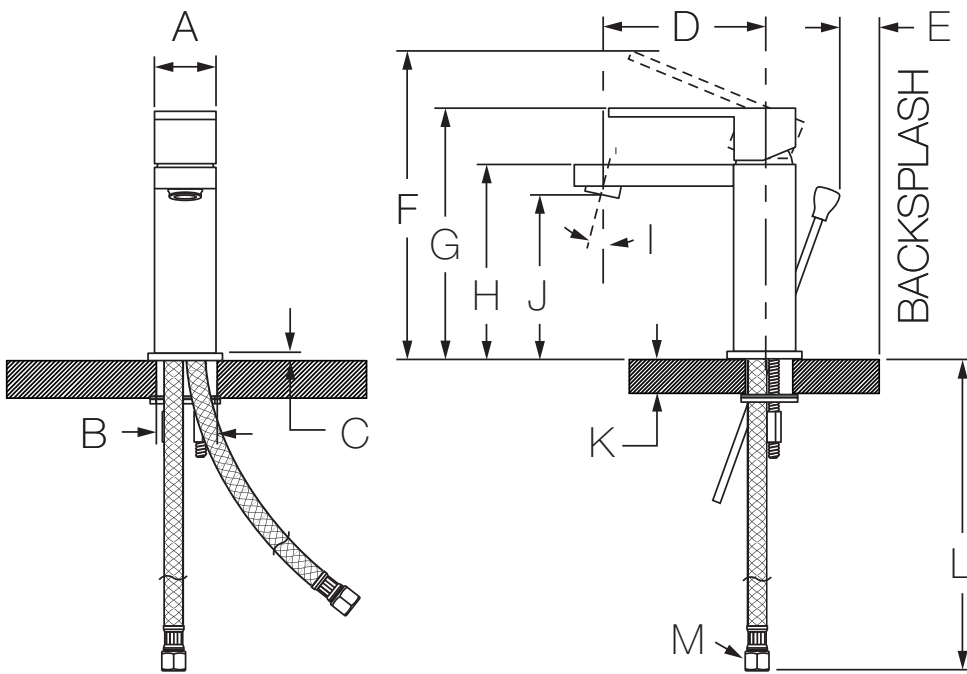


SLS-3610-1.5



<p>Model Numbers</p> <ul style="list-style-type: none"> <input type="checkbox"/> SLS-3612-1.5 <i>Single Handle Lavatory Faucet with lift rod and metal drain assembly</i> <input type="checkbox"/> SLS-3610-1.5 <i>Single Handle Lavatory Faucet, lift rod and drain not included</i> 	<p>Feature Highlights</p> <ul style="list-style-type: none"> • Single hole mount configuration • Quarter turn ceramic cartridge • 24 inch braided hose water supply connections • 6-7/8" height • Lift rod and metal drain assembly (SLS-3612-1.5) • Standard 1.5 gpm (5.7 L/min) aerator • Faucet shall be metal construction, plated in standard polished chrome finish
<p>Finish Options/Modifications</p> <ul style="list-style-type: none"> <input type="checkbox"/> -0.5  <i>0.5 gpm (1.9 L/min) aerator</i> <input type="checkbox"/> -1.0  <i>1.0 gpm (3.8 L/min) aerator</i> <input type="checkbox"/> -DP4 <i>4" deck plate</i> <input type="checkbox"/> -BBZ <i>Brushed Bronze finish</i> <input type="checkbox"/> -MB <i>Matte Black finish</i> <input type="checkbox"/> -STN <i>Satin Nickel finish</i> 	<p>Compliance</p> <ul style="list-style-type: none"> -ASME A112.18.1/CSA B125.1 -NSF/ANSI 61.9; NSF/ANSI 372 -WaterSense 1.5 gpm <div style="text-align: right;">   </div>
<p>Note: Append appropriate -suffix to model number.</p>	<p>Warranty</p> <p>Limited Lifetime - to the original end purchaser in consumer/residential installations. 5 Years - for industrial/commercial installations. Refer to www.symmons.com/warranty for complete warranty information.</p>

Dimensions



Measurements	
A	1-11/16", 43 mm
B	Hole Size: Min. Ø 1-1/4", 32 mm Max. Ø 1-1/2", 38 mm
C	3/16", 5 mm
D	4-7/16", 113 mm
E	Min. 2-1/2", 64 mm
F	8-7/16", 214 mm
G	6-7/8", 175 mm
H	5-5/16", 135 mm
I	12°
J	4-7/16", 113 mm
K	Deck Thickness Ref. Min. 7/8", 22 mm Max. 2-1/2", 64 mm
L	24", 610 mm
M	(2x) 3/8" compression fitting

Note: Dimensions subject to change without notice.