



# Z5665-BWL1

HET Elongated, ADA Height, Floor Mounted  
EcoVantage® Flush Valve Toilet

TAG \_\_\_\_\_

### Architectural/Engineering Specification:

Vitreous China, floor mounted, bottom outlet toilet with siphon jet flushing action and elongated front rim with 1-1/2" spud. This bowl is designed to perform to industry standards with as little as 1.1 gallons per flush.

### Product Features:

- Zurn High Efficiency Toilets and paired performance flush valve systems are designed to exceed industry standards, while using as little as 1.1 gallons of water per flush.
- Vitreous china
- Elongated front rim
- 2-1/8" fully glazed trapway
- High efficiency siphon jet flush action
- Shipping Weight: 55 lbs.

### Compliance and Certification:

- ADA Compliant
- WaterSense Compliant



\*This product should be used with a WaterSense labeled counterpart with a compatible flush volume to ensure that the entire system meets the requirements for water efficiency and performance.



### Options:

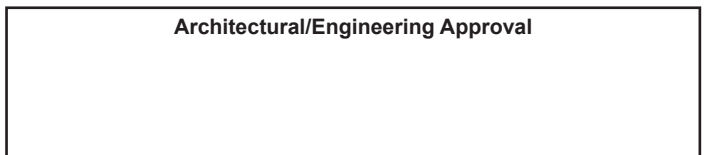
- AM Antimicrobial ceramic glaze

### Recommended Trim:

- Z5955SS-EL Elongated, standard white, open front toilet seat less cover with stainless steel check hinge.
- Z5972-COMB Closet bolt & wax ring kit.

See Zurn One Systems for suggested packages.

Meets the American Disabilities Guidelines and ANSI A117.1 requirements when installed according to these requirements. Fixture dimensions meet ASME A112.19.2/CSA B45.1 requirements. In Canada - Consult local codes and standards.



The information contained in this document is subject to change without notice. Please contact Zurn for most up to date information.



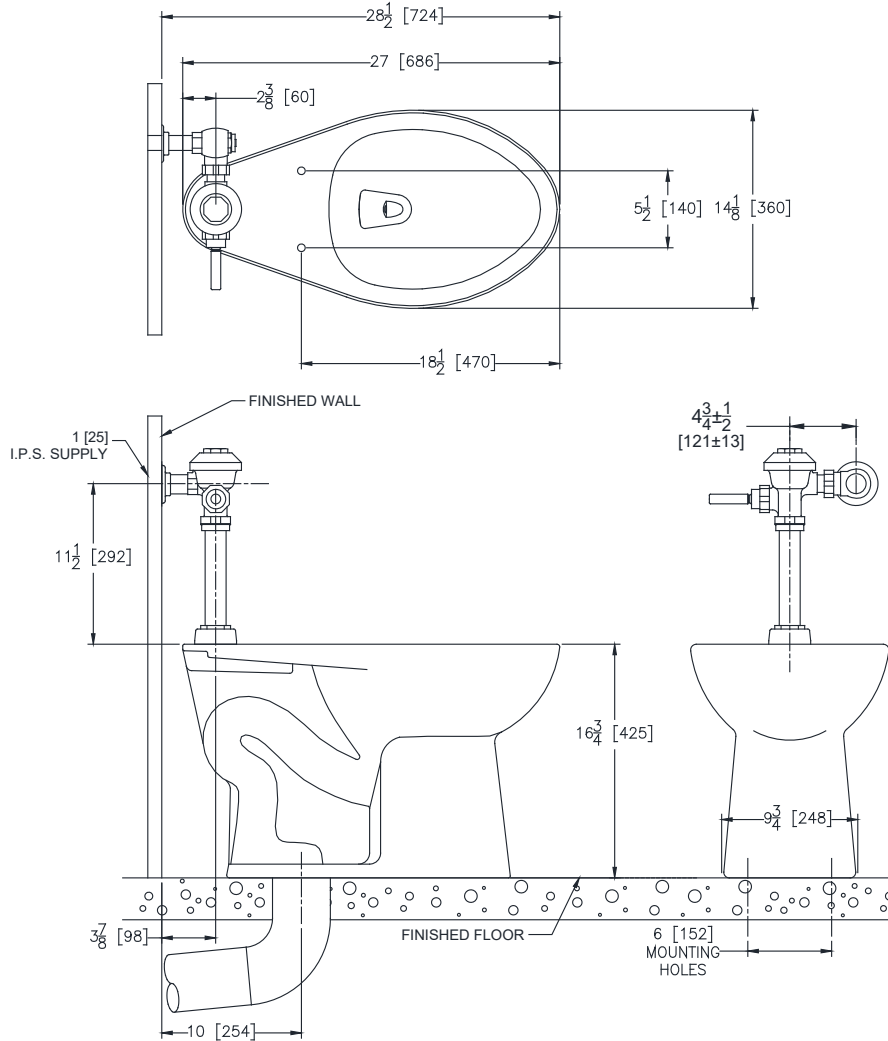


# Z5665-BWL1

HET Elongated, ADA Height, Floor Mounted  
EcoVantage® Flush Valve Toilet

TAG \_\_\_\_\_

Rough-in/Overview dimensions for Z5655 Series  
Z5665-BWL1 with top spud  
Z5666-BWL1 with top spud and bedpan lugs



Meets the American Disabilities Guidelines and ANSI A117.1 requirements when installed according to these requirements. Fixture dimensions meet ASME A112.19.2/CSA B45.1 requirements. In Canada - Consult local codes and standards.

