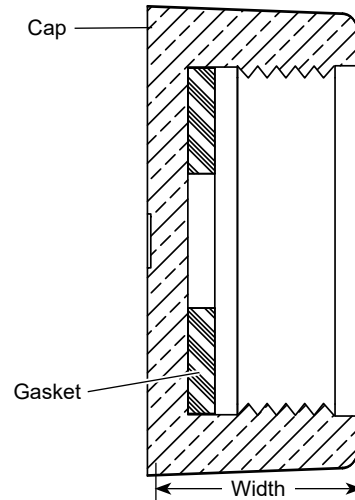
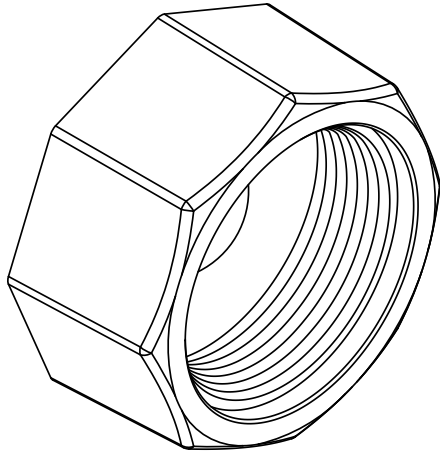
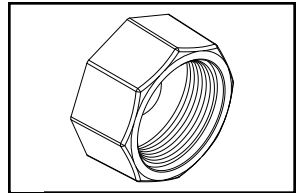


SUBMITTAL INFORMATION

Brass End Caps - (CAP-x-x-NL style)



VALVE SIZE	TYPE OF CORPORATION STOPS/COUPLINGS	APPROX. WIDTH	APPROX. WT. LBS.	CATALOG NUMBER	✓ SUBMITTED ITEM(S)
3/4"	Flare Copper Corp & CTS Compression Corps	.88"	0.3	CAP-24-3-NL	
1"	Flare Copper Corp & CTS Compression Corps - Also fits 3/4" PEP Corp & 3/4" PVC Corp	1"	0.5	CAP-2-4-NL	
1"	CTS Pack Joint Coupling & CTS Grip Joint Coupling	1"	0.6	CAP-4-4-NL	
1-1/4"	Flare Copper Corp & CTS Compression Corp (excluding Quick Joint) - Also fits 1" PEP Corp & 1" PVC Corp	1"	0.7	CAP-2-5-NL	
1-1/4"	CTS Quick Joint Corp	.84"	0.8	CAP-4-5-Q-NL	
1-1/4"	CTS Pack Joint Corp & CTS Grip Joint Coupling - Also fits 1" PEP Cplg	.84"	0.9	CAP-4-5-NL	
1-1/2"	Flare Copper Corp, CTS Compression Corp (excluding Quick Joint) & PVC Coupling	1.25"	1.0	CAP-2-6-NL	
1-1/2"	CTS Quick Joint Corp	.83"	1.0	CAP-4-6-Q-NL	
2"	Flare Copper Corp, CTS Compression Corp (excluding Quick Joint) & PVC Corp - Also fits 2-1/2" CTS Pack & Grip Coupling	1.44"	1.6	CAP-2-7-NL	
2"	CTS Quick Joint Corp	.86"	1.7	CAP-4-7-Q-NL	
2"	CTS Pack Joint Coupling & CTS Grip Joint Coupling - Also fits 1-1/2" PEP Pack Joint (IDR7)		2.5	CAP-4-7-NL	

FEATURES

- All brass that comes in contact with potable water conforms to AWWA Standard C800 (ASTM B584, UNS C89833)
- The product has the letters "NL" cast into the main body for lead-free identification
- Brass components that do not come in contact with potable water conform to AWWA Standard C800 (ASTM B62 and ASTM B584, UNS C83600, 85-5-5-5)
- EPDM rubber gasket per ASTM D2000
- Pressure rating same as attached valve or coupling
- Protects threads and internal components

The Ford Meter Box Company considers the information in this submittal form to be correct at the time of publication. Item and option availability, including specifications, are subject to change without notice. Please verify that your product information is current.



The Ford Meter Box Company, Inc.

P.O. Box 443, Wabash, Indiana U.S.A. 46992-0443

Phone: 260-563-3171 / Fax: 800-826-3487

Overseas Fax: 260-563-0167

www.fordmeterbox.com

05/03/17

Submitted By: