

CONSERVATIONIST®

FULLY AUTOMATIC CONTROLS WITH SAFETY SHUTOFF

- Accurate, dependable control system requires no electric connections. Fixed automatic gas shutoff device for added safety.
- Temperature adjustable up to 181°F.

GLASSLINED TANK

- Maximizes tank life.

HEAVY GAUGE STEEL JACKET

- Finished with baked enamel over bonderized undercoat.

FOAM INSULATION

- Saves fuel, helps reduce standby heat loss.

LOW NOx

- Complies with Texas and other districts requirements for NOx emissions less than 40 ng/j.

EASY-TO-INSTALL

- Completely factory-assembled. Only gas, water and vent connections need be made. All connections are located in front and top of heaters for ease of installation and service.

DRAFT DIVERTER

- Low profile diverter furnished as standard equipment.

MAXIMUM WORKING PRESSURE

- 150 psi.

MAXIMUM GAS INLET PRESSURE

- 14" W.C.

GREEN CHOICE BURNER

- New Eco friendly Green Choice burner for cleaner emissions.

HANDHOLE CLEANOUT

- Allows for easy tank cleaning.

BUILT-IN GAS FILTER AND INTEGRAL DIRT LEG (PROPANE ONLY)

ANODIC PROTECTION

INTEGRAL AUTOMATIC GAS SHUTOFF SYSTEM PREVENTS EXCESSIVE WATER TEMPERATURE

STANDARDS AND CERTIFICATIONS

- All models meet the thermal efficiency and standby loss requirements of the U. S. Department of Energy and Current Edition ASHRAE/IESNA 90.1.
- CSA certified and ASME rated T&P relief valve.
- Not recommended for sanitation rinse.

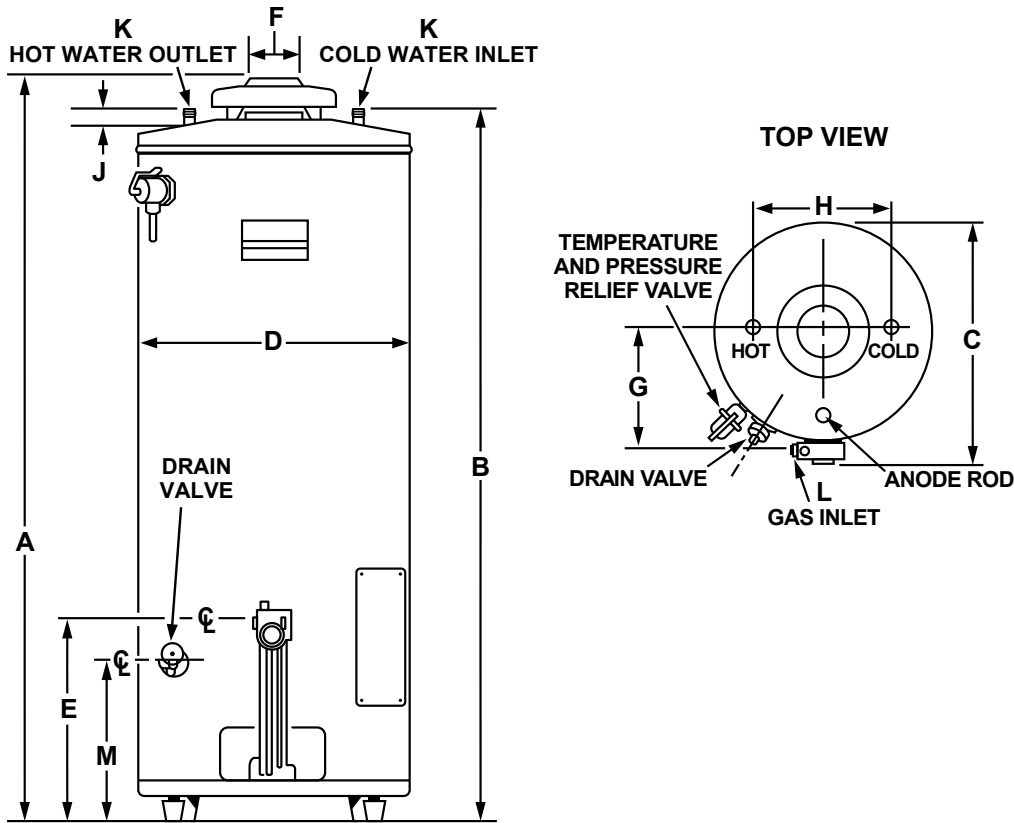
3-YEAR LIMITED TANK / 1-YEAR LIMITED PARTS WARRANTY

- For complete warranty information, consult written warranty or go to hotwater.com.



BT-80 & BT-100





Model Number	Units	Dimensions											Approx. Shipping Weight		
		A	B	C	D	E	F	G	H	J	K	L	M	lbs	kg
BT-80	Inches	61-1/8	58-1/2	29-11/16	26-1/2	15-3/16	4	14-1/2	16	11-1/4	1	1/2	11-15/16	lbs	275
	CM	155.25	148.6	75.4	67.3	38.6	10.2	39.4	40.6	3.2	NPT	NPT	30.3	kg	124.7
BT-100	Inches	68-5/8	66-1/2	30-15/16	27-3/4	15-3/16	4	15-3/4	16	11-1/4	1-1/4	1/2	11-15/16	lbs	350
	CM	174.3	168.9	75.59	70.5	38.6	10.2	40	40.6	3.2	NPT	NPT	30.3	kg	158.8

Model Number	Capacity		Input Rating		Temperature Rise GPH (LPH)											
	Gallon	Litres	BTU/HR	kW/Hr.	30°F (17°C)	40°F (22°C)	50°F (28°C)	60°F (33°C)	70°F (39°C)	80°F (45°C)	90°F (50°C)	100°F (56°C)	110°F (61°C)	120°F (67°C)	130°F (72°C)	140°F (78°C)
BT-80	74	280	75,100	22	243 (916)	182 (686)	146 (550)	121 (456)	104 (392)	91 (343)	81 (305)	73 (275)	66 (249)	61 (230)	56 (211)	52 (196)
BT-100	98	371	75,100	22	243 (916)	182 (686)	146 (550)	121 (456)	104 (392)	91 (343)	81 (305)	73 (275)	66 (249)	61 (230)	56 (211)	52 (196)

SPECIFICATION

Water heater(s) shall be Model _____ as manufactured by A. O. Smith or an approved equal. Water heater(s) shall be of glasslined design, and gas-fired, equipped to burn _____ gas and design certified by CSA and shall be approved by the National Sanitation Foundation (with optional leg kit). Heaters must meet all applicable energy codes. Heaters shall have an input rating of _____ BTU/H and a recovery capacity of 73 GPH at a temperature rise of 100°F with a storage capacity of _____ gallons. Heater shall be equipped with a 2-3/4" x 3-3/4" boiler-type handhole cleanout and shall have a working pressure of 150 psi. Heater(s) shall be provided with an automatic gas shutoff device and safety shutoff in the event the pilot flame is extinguished; a gas pressure regulator set for the type of gas supplied; an approved draft diverter, and extruded anode rod rigidly supported for cathodic protection. A CSA Certified and ASME Rated T&P Relief Valve shall be furnished and installed by the manufacturer. The tank shall be foam insulated. The outer jacket shall have a baked enamel finish over a bonderized undercoating. All internal surfaces of the heater exposed to water shall be glasslined with an alkaline borosilicate composition that has been fused-to-steel by firing at a temperature range of 1400° to 1600°F. Heater tank shall have a three year limited warranty against corrosion and tank failure due to sediment build-up as outlined in the written warranty. Operation of the heater in a closed system where thermal expansion has not been compensated for with a properly sized expansion tank will void the warranty. Fully illustrated instruction manual and parts list to be included.

For technical information, call 800-527-1953. A. O. Smith Corporation reserves the right to make product changes or improvements without prior notice.