

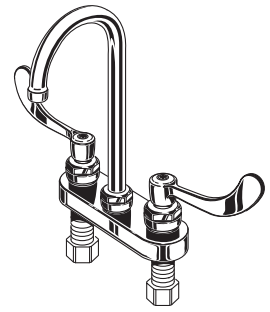
Installation Instructions

MONTERREY™ CENTERSET LAVATORY FAUCETS WITH GOOSENECK SPOUT

7500 Series
7501 Series
7502 Series
7545 Series

*Thank you for selecting American-Standard...
the benchmark of fine quality for over 100 years.*

*To ensure that your installation proceeds smoothly—
please read these instructions carefully before you begin.*



Certified to comply with ANSI A112.18.1M
60185 Rev. 1.7 (11/15)

1

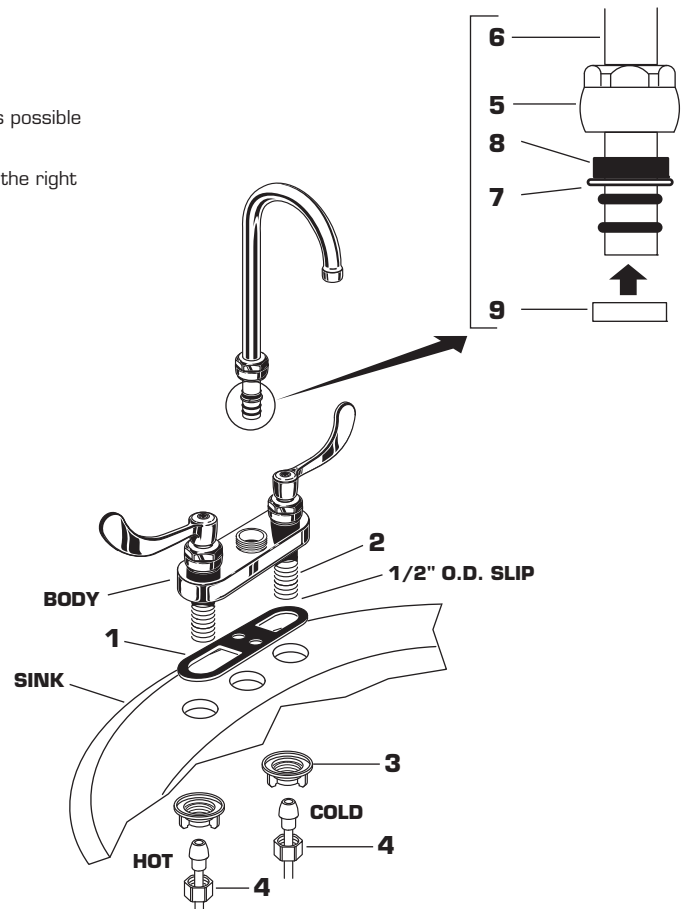
CAUTION

Turn off water at
main supply.

- Assemble GASKET (1) to SHANKS (2) and insert FAUCET SHANKS through holes of SINK.
- Assemble LOCKNUTS (3) from underside of SINK. Align BODY as far forward as possible and secure position by tightening LOCKNUTS (3).
- Connect the HOT water supply to the left SHANK and the COLD water supply to the right SHANK using sealant, appropriate connectors, and COUPLING NUTS (4).

To change spout to a swivel spout: (7500, & 7502)

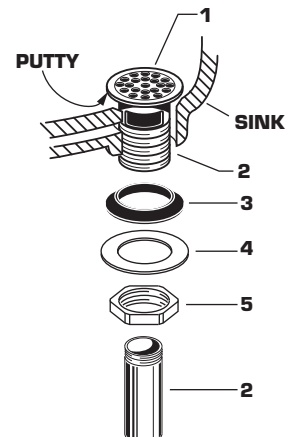
- Unscrew SPOUT NUT (5) and remove SPOUT (6).
- Take SPOUT CLIP (7) off SPOUT (6) and remove RUBBER RING (8).
- Replace RUBBER RING (8) with separate PLASTIC RING (9) packed with faucet.
- Put SPOUT CLIP (7) on SPOUT.
- Reassemble SPOUT (6) to BODY.



2

GRID DRAIN ASSEMBLY (Model 7502 only)

- Apply a bead of PUTTY around underside of DRAIN PLUG FLANGE (1). Insert DRAIN PLUG (2) into SINK drain hole.
- Hold DRAIN PLUG (2) to prevent turning and assemble GASKET (3), WASHER (4) and LOCKNUT (5) from underneath sink.
- Insert threaded end of TAILPIECE (6) into lower end of DRAIN PLUG (2). Connect other end to trap.



3

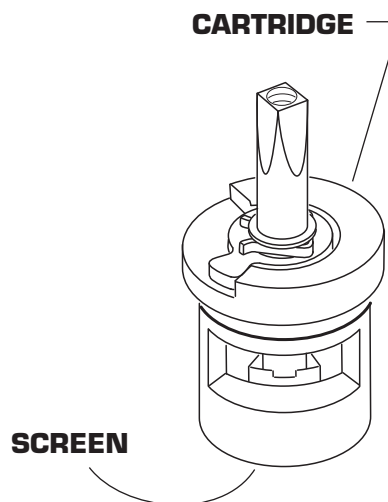
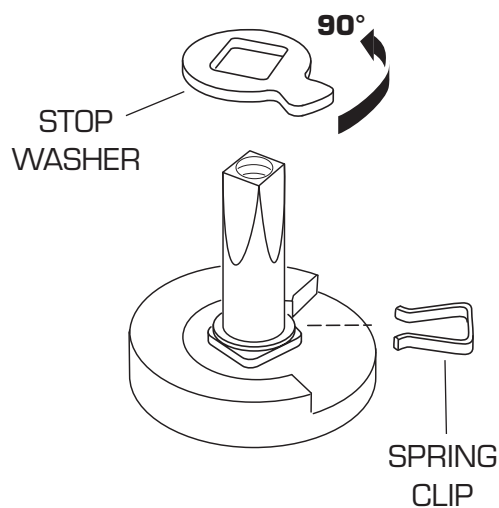
TEST INSTALLED FAUCET

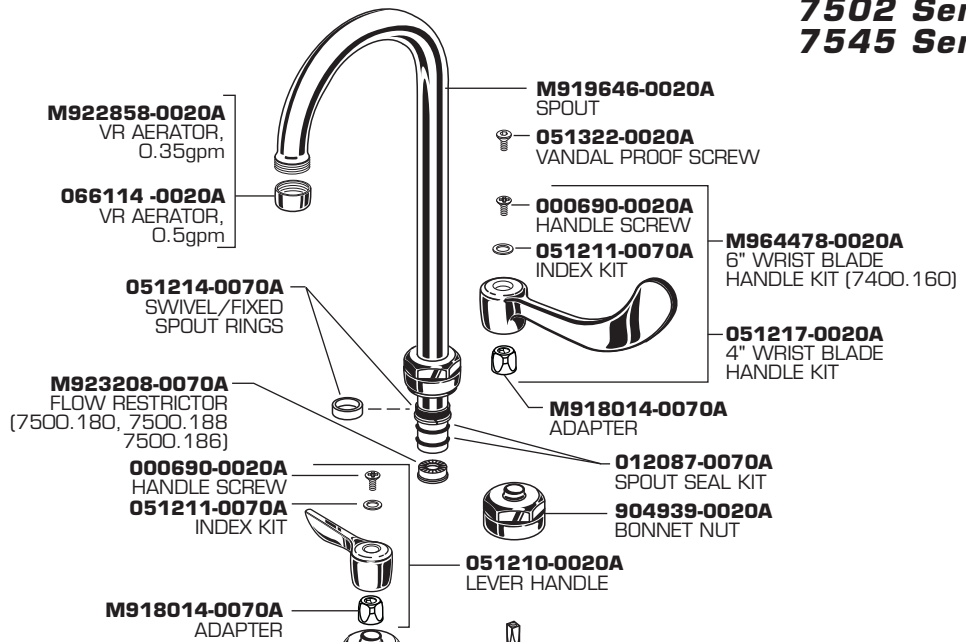
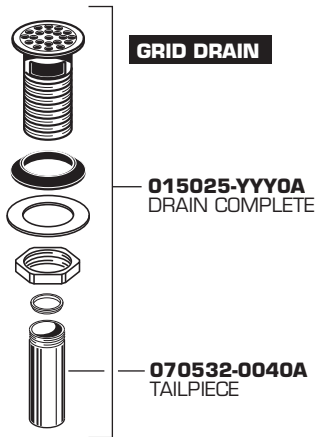
- Remove AERATOR.
- With handle in OFF position, turn on water supplies and check all connections for leaks.
- Operate both handles to flush water lines thoroughly. Check spout mounting and hose connections for leaks.
- Operate LIFT ROD and check DRAIN for leaks.
- Turn handles into OFF position and replace AERATOR.

4

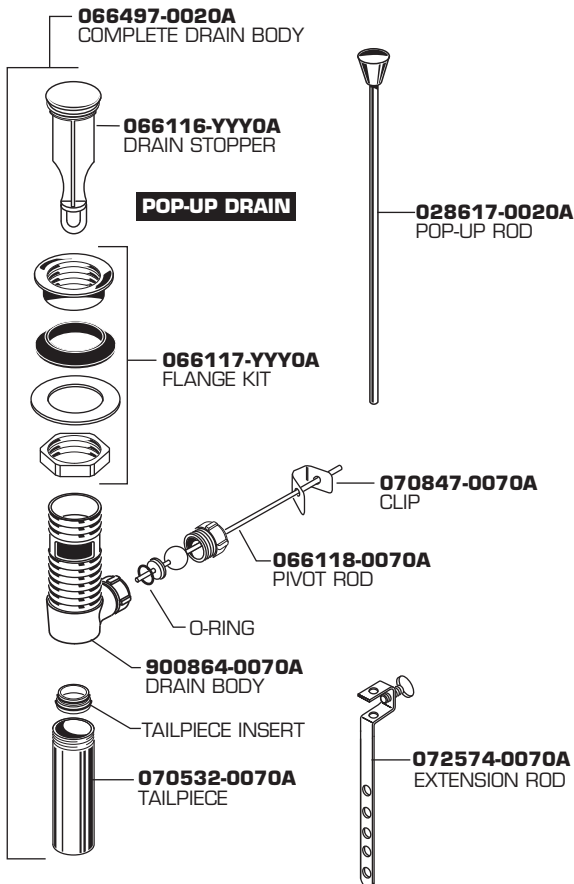
SERVICE

- To change direction of handle rotation, proceed as follows:
 - Turn valve to OFF position.
 - Remove HANDLE and BONNET NUT.
 - Remove SPRING CLIP.
 - Lift STOP WASHER, turn 90° and replace.
 - Replace SPRING CLIP.
 - Replace BONNET NUT, HANDLE, SCREW, and INDEX.
- AERATOR may accumulate dirt causing distorted and reduced water flow. Remove AERATOR and rinse clean.
- If spout drips, operate handles several times from OFF to ON position. Do not force - handles turn only 90°.
- Plastic SCREEN in CARTRIDGE may accumulate dirt causing reduced water flow. To clean, first turn off hot and cold water supplies, then:
 - Remove HANDLE and BONNET NUT.
 - Remove CARTRIDGE by pulling up.
 - Thoroughly rinse plastic SCREEN at base of CARTRIDGE.
 - Replace CARTRIDGE until flange is tight against valve body.
 - Turn valves OFF.
 - Replace BONNET NUT, HANDLE, SCREW and INDEX.





FOR PRODUCTS SOLD BEFORE 1/1/16



- M919658-0020A** 8" SPOUT (7500.188)
- M964387-0020A** 8" SPOUT (7500.177)
- A919641-0020A** 5" SPOUT (7500.180)
- M919246-0020A** 6" SPOUT (7500.186)

HOT LINE FOR HELP

For toll-free information and answers to your questions, call:
 1 (800) 442-1902
 Mon. - Fri. 8:00 a.m. to 8:00 p.m. EST
 Saturday 10:00 a.m. to 4:00 p.m. EST
 IN CANADA 1-800-387-0369
 (TORONTO 1-905-306-1093)
 Weekdays 8:00 a.m. to 7:00 p.m. EST
 IN MEXICO 01-800-839-1200

