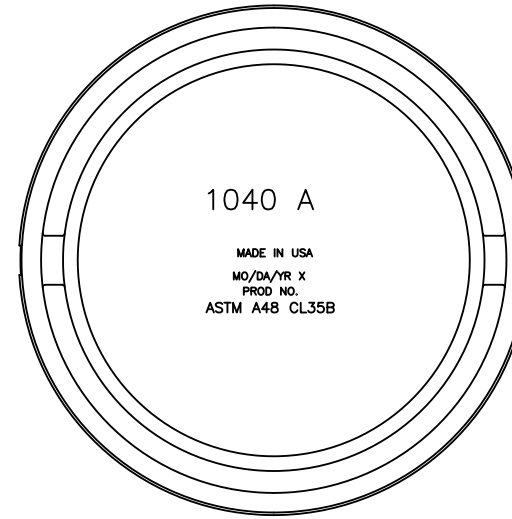
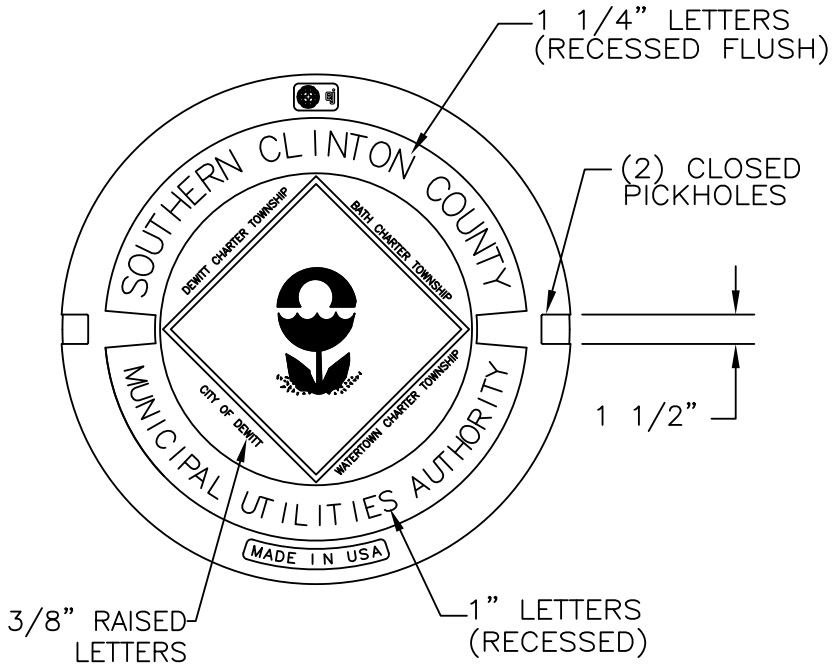
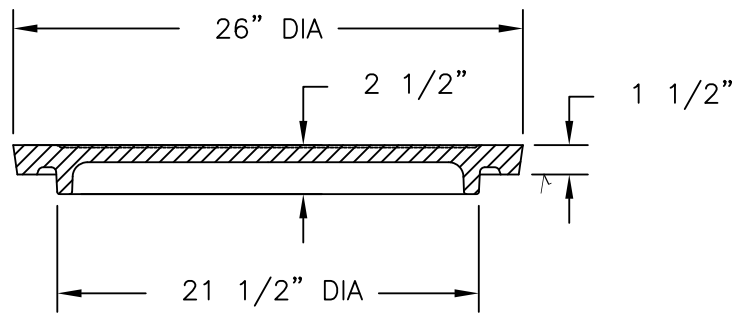


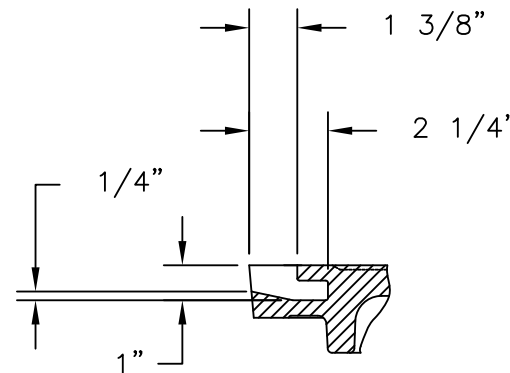
1040A Cover



BOTTOM VIEW



COVER SECTION



PICKHOLE DETAIL

Product Number

00104429

Design Features

- Materials
- Design Load
 - Heavy Duty
- Open Area
 - n/a
- Coating
 - Dipped
- √ Designates Machined Surface

Certification

- ASTM A48
-
-
- Country of Origin:USA

Drawing Revision

04/29/2002 Designer: TCL
11/26/2013 Revised By: DVD

Disclaimer

Weights (lbs./kg) dimensions (inches/mm) and drawings provided for your guidance. We reserve the right to modify specifications without prior notice.

CONFIDENTIAL: This drawing is the property of EJ GROUP, Inc., and embodies confidential information, registered marks, patents, trade secret information, and/or know how that is the property of EJ GROUP, Inc. Copyright © 2012 EJ GROUP, Inc. All rights reserved.

Contact

800 626 4653
ejco.com