



Architect/Engineering Specifications:

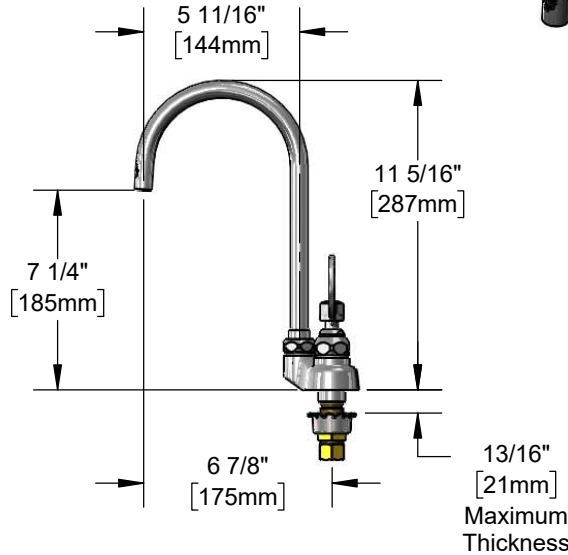
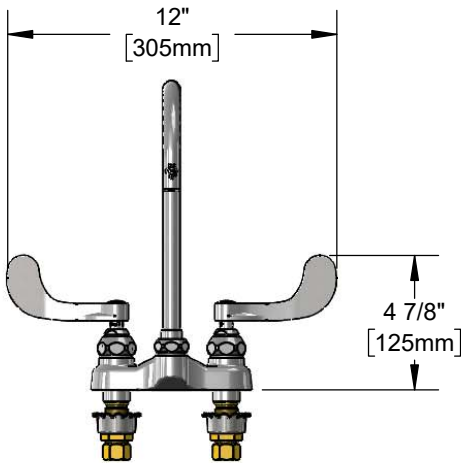
4" deck mount mixing faucet with polished chrome plated brass body, 5 11/16" plain end swivel/rigid gooseneck, 1.5 GPM flow disc in swivel piece, compression cartridges with spring checks, 4" wrist action handles and 1/2" NPSM male inlets with compression nuts. Certified to ASME A112.18.1/CSA B125.1, NSF 61-Section 9 and NSF 372. Meets ADA ANSI/ICC A117.1 requirements.

Job Name _____

Model Specified _____ Quantity _____

Variations Specified _____

Date _____



Features & Benefits:

- 4" deck mount mixing faucet w/ polished chrome plated brass body
- 5 11/16" plain end swivel gooseneck
- Lock washer included for rigid applications
- 1.5 GPM flow disc in swivel piece
- Quarter-turn Eterna compression cartridges with spring checks to prevent crossflow of water
- 4" wrist action handles with color coded indexes
- 1/2" NPSM male inlets with coupling nuts
- Material: Polished chrome plated brass body and tubular spout, chrome plated metal handles

Product Compliance:

- ASME A112.18.1 / CSA B125.1
- NSF 61 - Section 9
- NSF 372 (Low Lead Content)
- ANSI A117.1 (ADA)

Warranty: One Year (Limited)

Performance Data:

- Pressure: 20 - 125 psi
- Temperature: 40 °F - 140 °F
- Flow Rate: 1.5 GPM @ 60 psi



ADA Compliant

Optional Handles

- 4" Wrist Action (Standard)
- 4-Arm
- Lever

Optional Cartridges

- Quarter-Turn Cerama w/ Check Valve
- Quarter-Turn Eterna w/ Spring Check (Standard)
- Metering

