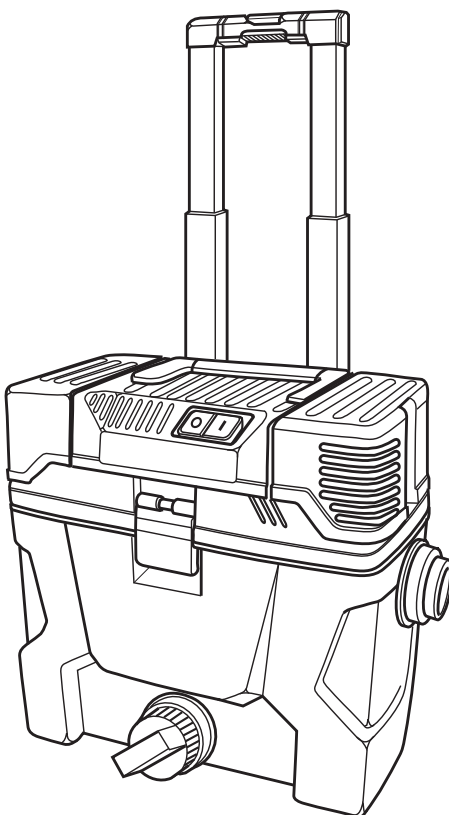




## OWNER'S MANUAL

PRO PACK PLUS  
WET/DRY VAC

**1000RV0**



**QUESTIONS OR COMMENTS? CONTACT US AT**

**[www.ridgidvacs.com](http://www.ridgidvacs.com)**

**In the U.S. and Canada, Call 1-800-4-RIDGID**

**In Mexico, Call 01-800-701-9811**

**⚠ WARNING:**

To reduce the risk of injury, the user must read and understand the owner's manual before using this product.

Thank you for buying a RIDGID product.

- Español - página 17
- Français - page 33

**SAVE THIS MANUAL FOR FUTURE REFERENCE**

# Table of Contents

Section	Page	Section	Page
Important Safety Instructions . . . . .	2	Maintenance . . . . .	12-13
Introduction . . . . .	4	Cleaning Vac Filter . . . . .	12
Unpacking and Checking		Filter Removal and Installation . . . . .	12
Carton Contents List . . . . .	4	Cleaning a Dry Filter . . . . .	12
Getting to Know Your Vac . . . . .	5	Cleaning a Wet Filter . . . . .	12
Assembly . . . . .	6-7	Cleaning and Disinfecting	
Cord, Hose & Accessory Storage . . . . .	7-8	the Wet/Dry Vac . . . . .	13
Operation . . . . .	8-11	Cord Maintenance . . . . .	13
Vacuuming Dry Materials . . . . .	9	Storage . . . . .	13
Vacuuming Liquids . . . . .	9	Wheels . . . . .	13
Emptying the Dust Drum . . . . .	10	Handles . . . . .	13
Insert Hose . . . . .	10	Repair Parts . . . . .	14-15
Moving the Wet/Dry Vac . . . . .	11	Servicing of Double-Insulated	
Cord Storage . . . . .	11	Wet/Dry Vac . . . . .	14
Blowing Feature . . . . .	11	Warranty . . . . .	16

## IMPORTANT SAFETY INSTRUCTIONS

Safety is a combination of using common sense, staying alert, and knowing how your Wet/Dry Vacuum cleaner ("Vac") works.

### Safety Signal Words

**▲ DANGER:** Indicates a hazardous situation which, if not avoided, will result in death or serious injury.

**▲ WARNING:** Indicates a hazardous situation which, if not avoided, could result in death or serious injury.

**▲ CAUTION:** Indicates a hazardous situation which, if not avoided, could result in minor or moderate injury.

When using your Vac, always follow basic safety precautions including the following:

### ▲ WARNING

**- To reduce the risk of fire, electric shock, or injury:**

- Read and understand this manual and all labels on the Vac before operating.
- Use only as described in this manual.
- Do not leave Vac running while unattended - you may fail to notice important signs indicating abnormal operation such as loss of suction, debris/liquid exiting exhaust, or abnormal motor noises. Immediately stop using Vac if you notice these signs.
- Do not leave Vac when plugged in. Unplug from outlet when not in use and before servicing.
- Sparks inside the motor can ignite flammable vapors or dust. To reduce the risk of fire or explosion, do not use near

combustible liquids, gases, or dusts, such as gasoline or other fuels, lighter fluid, cleaners, oil-based paints, natural gas, coal dust, magnesium dust, grain dust, aluminum dust, or gun powder.

- Do not vacuum anything that is burning or smoking, such as cigarettes, matches, or hot ashes.
- Do not vacuum drywall dust, cold fireplace ash, or other fine dusts with standard filter. These may pass through the filter and be exhausted back into the air. Use a fine dust filter instead.
- To reduce the risk of inhaling toxic vapors, do not vacuum or use near toxic or hazardous materials.
- To reduce the risk of electric shock, do not expose to rain or allow liquid to enter motor compartment. Store indoors.
- This Wet/Dry Vac is not intended for use by persons (including children) with reduced physical, sensory, or mental capabilities, or lack of experience and knowledge, unless they have been given supervision or instruction concerning use of the appliance by a person responsible for their safety.
- Do not allow to be used as a toy. Close attention is necessary when used by or near children.
- Do not use with a torn filter or without filter installed except when vacuuming liquids as described in this manual. Dry debris ingested by the impeller may damage the motor or be exhausted into the air.

- Turn off Vac before unplugging.
- To reduce the risk of injury from accidental starting, unplug power cord before changing or cleaning filter.
- Do not unplug by pulling on cord. To unplug, grasp the plug, not the cord.
- Do not use with damaged cord, plug or other parts. If your Vac is not working as it should, has missing parts, has been dropped, damaged, left outdoors, or dropped into water, call customer service.
- Do not pull or carry by cord, use cord as handle, close a door on cord, or pull cord around sharp edges or corners. Keep cord away from heated surfaces.
- Do not handle plug, switch, or the Vac with wet hands.
- Use only extension cords that are rated for outdoor use. Extension cords in poor condition or too small in wire size can pose fire and shock hazards. To reduce the risk of these hazards, be sure the cord is in good condition and that liquid does not contact the connection. Do not use an extension cord with conductors smaller than 16 gauge (AWG) in size. To reduce power loss, use a 14 gauge extension cord if 25 to 50 ft. long and 12 gauge for 50 ft. or longer.
- This Vac is double-insulated, eliminating the need for a separate grounding system. Use only identical replacement parts. Read the instructions for Servicing Double-Insulated Wet/Dry Vacs.
- Do not put any object into ventilation openings. Do not vacuum with any ventilation openings blocked; keep free of dust, lint, hair or anything that may reduce air flow.
- Keep hair, loose clothing, fingers, and all parts of body away from openings and moving parts.
- To reduce the risk of falls, use extra care when cleaning on stairs.
- To reduce the risk of personal injury or damage to Vac, use only Ridgid recommended accessories.
- When using as a blower:
  - Direct air discharge only at work area.
  - Do not direct air at bystanders.
- Keep children away when blowing.
- Do not use blower for any job except blowing dirt and debris.
- Do not use as a sprayer.
- To reduce the risk of eye injury, wear safety eyewear. The operation of any utility Vac or blower can result in foreign objects being blown into the eyes, which can result in severe eye damage.
- Do not store or stack items on top of Vac.

---

**▲ CAUTION:**

- To reduce the risk of hearing damage, wear ear protectors when using for extended time or in a noisy area.
  - For dusty operations, wear dust mask.
  - Static shocks are common when the relative humidity of the air is low. Vacuuming fine debris with your Vac can deposit static charge on the hose or Vac. To reduce the frequency of static shocks in your home or when using this Vac, add moisture to the air with a humidifier.
- 

Observe the following warnings that appear on the motor housing of your Vac:

**DOUBLE INSULATED  
GROUNDING NOT REQUIRED.  
WHEN SERVICING USE ONLY  
IDENTICAL REPLACEMENT PARTS.**

**▲ WARNING: To reduce the risk of electric shock - do not expose to rain - store indoors.**

**▲ WARNING: 50 Lb. Weight Limit.  
Do not stand or sit on the Vac.  
Improper use may cause injury.**

**▲ WARNING: : To reduce the risk of fire, do not store foreign objects in this compartment. Only store Vac Accessories.**

**▲ WARNING: For your own safety, read and understand owner's manual. Do not run unattended. Do not pick up hot ashes, coals, toxic, flammable or other hazardous materials. Do not use around explosive liquids or vapors.**

## SAVE THIS MANUAL

# Introduction

This PRO PACK PLUS Wet/Dry Vac is intended for household use. It may be used for vacuuming wet or dry media and may be used as a blower.

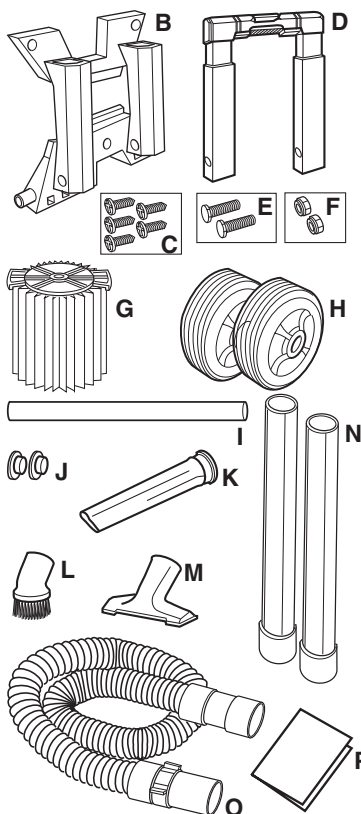
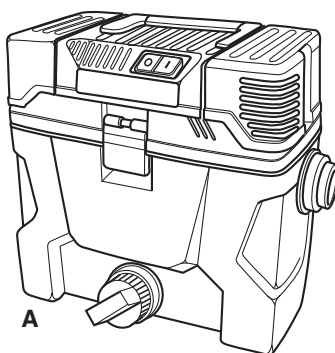
Read this owner's manual to familiarize yourself with the product features and to understand the specific usage of your new Vac.

# Unpacking and Checking Carton Contents

Remove contents from carton. Check each item against the Carton Contents List. Call 1-800-4-RIDGID (1-800-474-3443) from the US or Canada. Contact 01-800-701-9811 from Mexico. E-mail us at [info@ridgid.com](mailto:info@ridgid.com) if any parts are damaged or missing.

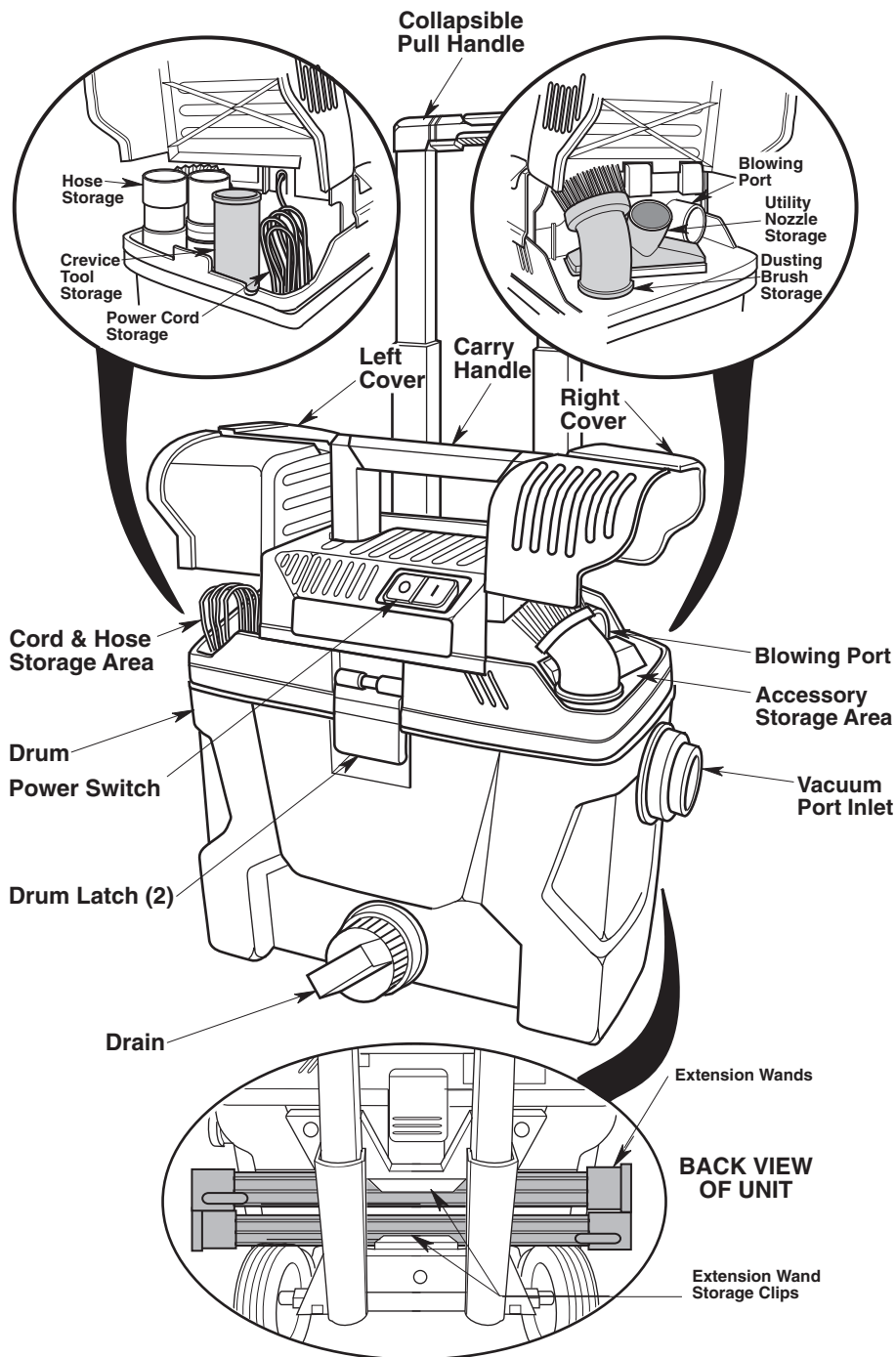
## Carton Contents List

<u>Key</u>	<u>Description</u>	<u>Qty</u>
A	PRO PACK PLUS Vac.....	1
B	Handle Bracket .....	1
C	Handle Bracket Hardware .....	5
D	Collapsible Pull Handle.....	1
E	Handle Bolts .....	2
F	Handle Locknuts.....	2
G	Cartridge Filter.....	1
H	Rear Wheels.....	2
I	Axle.....	1
J	Cap Nuts.....	2
K	Crevice Tool.....	1
L	Dusting Brush .....	1
M	Utility Nozzle.....	1
N	Extension Wands.....	2
O	Superflex Hose .....	1
P	Owner's Manual.....	1



# Getting to Know Your Vac

Familiarize yourself with the controls and features of your Vac before operating.

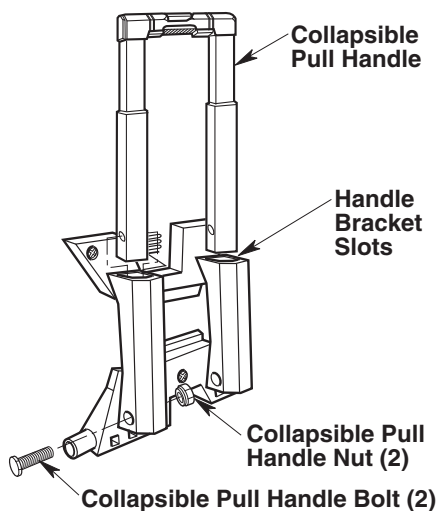


# Assembly

## Installing Collapsible Pull Handle into the Handle Bracket

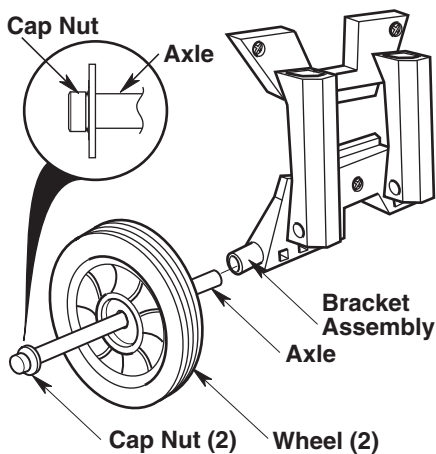
1. Slide the collapsible pull handle into the handle bracket slots.
2. Aligning the bottom holes of the collapsible pull handle and the handle bracket holes, place the handle bolt through the hole and secure with the handle nut.
3. Install the second bolt and nut and secure both nuts just snug.

**NOTE:** Do not over tighten the handle nuts, as this may deform or damage the handle bracket or collapsible pull handle.



## Installing Wheels and Axle

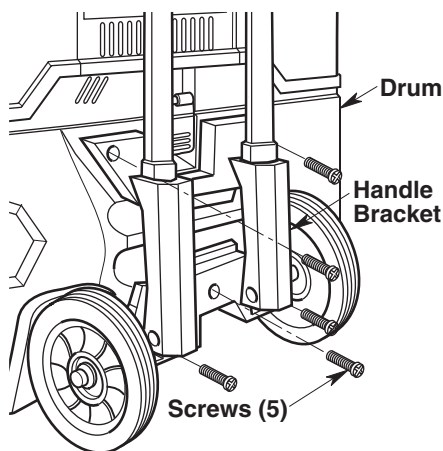
1. Locate the axle, 2 wheels and 2 cap nuts.
2. Installing cap nut:
  - a. Place cap nut on the end of the axle.
  - b. Gently tap cap nut with hammer until it is fully seated onto axle.
  - c. Place wheel on the axle and slide against the installed cap nut (smooth portion of wheel facing outward).
3. Slide open end of axle through the handle bracket assembly as shown. Light taps with a rubber mallet may be required to fully insert axle.
4. Install the second wheel onto the other end of the axle (smooth portion of wheel facing outward).
5. Install the second cap nut. Gently tap cap nut onto the axle until it is firmly seated.



## Assembly (continued)

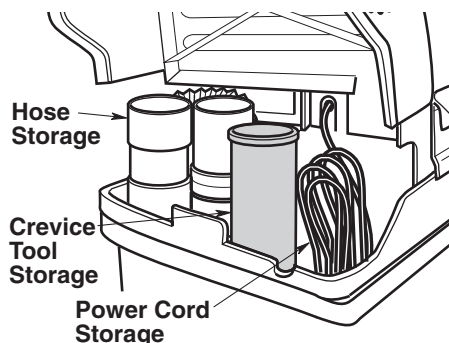
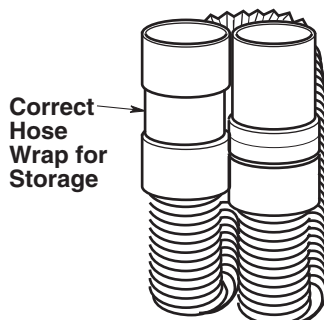
### Installing Handle Bracket onto the Drum

1. Align the the handle bracket assembly to the back of the dust drum assembly as shown.
2. Install 5 screws (supplied) through the matching holes on the back of the handle bracket assembly into the dust drum.
3. Tighten screws until just snug. Do not over tighten as this may deform or damage the handle bracket assembly or drum assembly.



## Cord, Hose & Accessory Storage

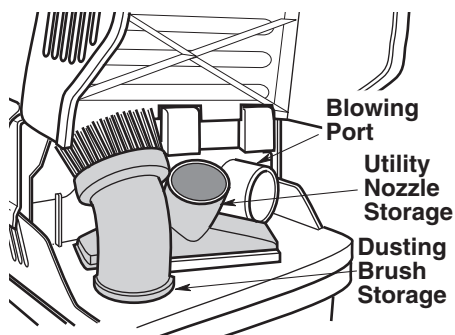
1. Your Vac has convenient locations to store your power cord, Vac hose, and accessories.
2. Under the left cover of your Wet/Dry Vac (as shown) is a storage location meant to hold your superflex hose, crevice tool and power cord. For ease of storage, the hose should be folded as shown and placed in the storage bin to the far left. You will also notice a rectangular feature in the bottom of this bin. The crevice tool will easily store standing up in this feature, tapered side down. Additionally, the power cord will also fit in this bin to the far right side. Fold or wrap the cord in approximately 1-foot lengths until you get within a foot of the storage bin. The folded cord should now fit neatly into the storage bin.



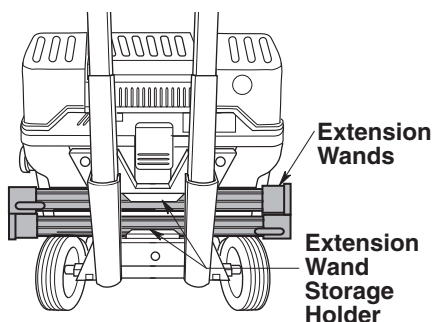


## Cord, Hose & Accessory Storage (continued) —

3. Under the right cover of your Wet/Dry Vac (as shown) is a storage location for the dusting brush and utility nozzle. Each of these nozzles has a specific location molded into the housing. Only these two nozzles should be stored in this location. Also located inside this compartment is the blowing port. Please see the “Blowing” section for blowing directions.



4. To store the extension wands, snap each extension wand into the extension wand holder found on the back of the unit.



## Operation

**▲ WARNING:** To reduce the risk of fire, explosion, or damage to Vac:

- Do not leave Vac running while unattended - you may fail to notice important signs indicating abnormal operation such as loss of suction, debris/liquid exiting the exhaust, or abnormal motor noises. Immediately stop using Vac if you notice these signs.
- Do not leave Vac plugged in when not in use.
- Do not continue running when float has cut off suction.
- Sparks inside the motor can ignite airborne flammables. Do not operate Vac near flammable liquids or in areas with flammable gases, vapors, or explosive/airborne dust. Flammable liquids, gases, and vapors include: lighter fluid, solvent-type cleaners, oil-based paints, gasoline, alcohol, and aerosol sprays. Explosive dusts include: coal, magnesium, aluminum, grain, and gun powder.
- Do not vacuum up explosive dusts, flammable liquids, or hot ashes.

**▲ WARNING:** To reduce the risk of electric shock or injury:

- Do not expose to rain or allow liquid to enter motor compartment. Store indoors.
- Do not handle plug, switch, or Vac with wet hands.
- Unplug Vac before servicing. If your Vac is not working as it should, has missing parts, has been dropped, damaged, left outdoors, or dropped into water, return it to an independent service center or call customer service.
- When using an extension cord, use only outdoor-rated cords that are in good condition. Do not allow the connection to come into contact with liquid.

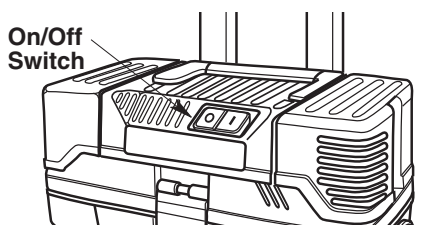


## Operation (continued)

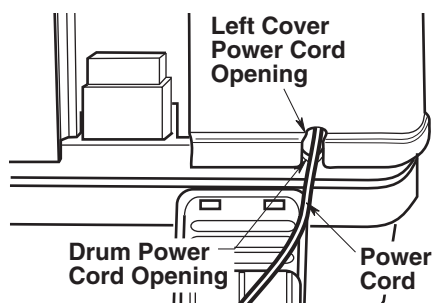
To reduce the risk of electric shock, this appliance has a polarized plug (one blade is wider than the other). This plug will fit in a polarized outlet only one way. If the plug does not fit fully in the outlet, reverse the plug. If it still does not fit, contact a qualified electrician to install the proper outlet. Do not change the plug in any way.

After you plug the power cord into the outlet, turn the unit on by pushing the switch from position "O" to position "I". The symbols used on the switch actuator are international "On & Off" symbols.

○ = OFF    | = ON



When operating your vacuum with the storage lids closed, take care to make sure that the power cord is positioned through the cord opening in the cover.



**NOTE:** When using the unit in the vacuuming mode, the accessory storage lid can be used as an air diffuser by closing this lid.

Familiarize yourself with the accessories included with the Vac. Each accessory may be used in various ways for vacuuming and blowing debris. Here is a list of the accessories and their uses.

**Dusting Brush** - Use for sweeping up areas with fine dust or debris. Great for detailed cleaning.

**Crevice Tool** - Use to pick up debris in hard to reach locations.

**Utility Nozzle** - General purpose nozzle for most vacuuming applications.

**Hose** - Provides transfer of vacuum or blowing capability to work site. Provides the means of attaching accessories. Hose includes suction relief valve to reduce hose pull back when the inlet is blocked.

### Vacuums Dry Materials

1. The filter must always be in correct position at all times to avoid leaks and possible damage to Vac.
2. When using your Vac to pick up very fine dust, it will be necessary for you to empty the drum and clean the filter at more frequent intervals to maintain peak Vac performance.

**NOTE:** A dry filter is necessary to pick up dry material. If you use your Vac to pick up dust when the filter is wet, the filter will clog quickly and be very difficult to clean.

### Vacuums Liquids

1. When picking up small amounts of liquid (2-4 inches of liquid in the bottom of the drum) the filter may be left in place.
2. When picking up larger amounts of liquid (more than 4" of liquid in the bottom of the drum) we recommend that the filter be removed. If the filter is not removed, it will become saturated and misting may appear in the exhaust.

## Operation (continued)

**⚠ WARNING: Do not operate without filter cage and float, as they prevent liquid from entering the impeller and damaging the motor.**

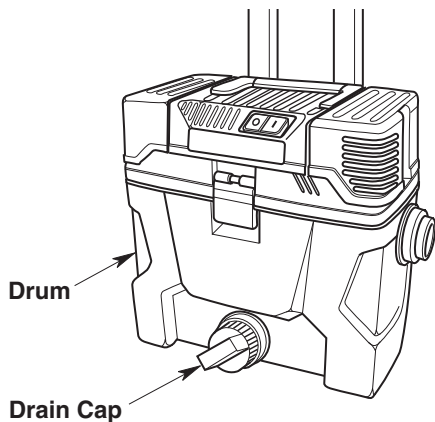
- When the liquid in the drum reaches a predetermined level, the float mechanism will rise automatically to cut off suction. You will know that the float has risen because Vac airflow ceases and the motor noise will become higher in pitch, due to increased motor speed. When this happens, turn off the Vac, unplug the power cord, and empty the drum.
- After using the Vac to pick up liquids, the filter must be dried to avoid possible mildew and damage to the filter.

**IMPORTANT:** To avoid damage to the Vac, do not run motor with float in raised position.

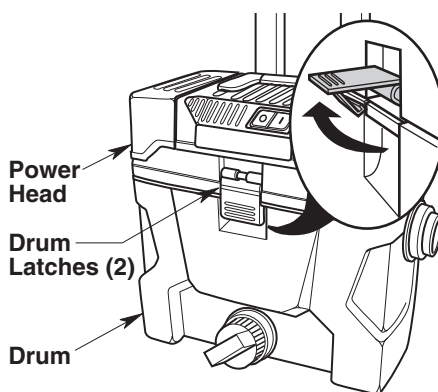
### Emptying the Dust Drum

**⚠ WARNING: To reduce the risk of injury from accidental starting, unplug power cord before emptying the drum.**

- The Vac comes equipped with a drain for easy emptying of liquids. Simply unscrew the drain cap and tilt forward slightly to empty the drum.



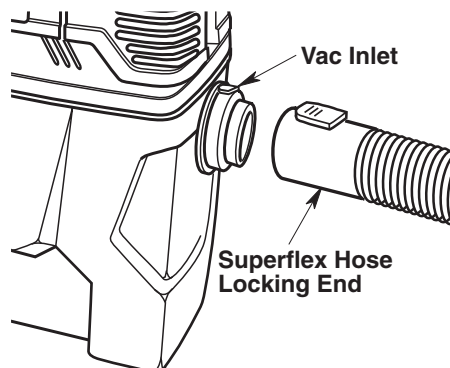
- Another option is to remove the power head to empty contents of the dust drum, simply lift the two drum latches on the front and rear of the Vac and lift the power head up and off the dust drum and set to the side.
- Set the power head upright in a clean, dry area while emptying the drum.
- Dump the drum contents into the proper waste disposal container.



### Insert Hose

Insert the push button end of the Superflex Hose into the Vac inlet, located on the side of the Vac. The hose should snap into place.

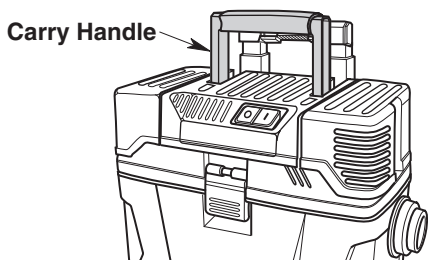
To remove the hose from the Vac, press the release button in the hose assembly and pull the hose out of the Vac inlet, as shown.



## Operation (continued)

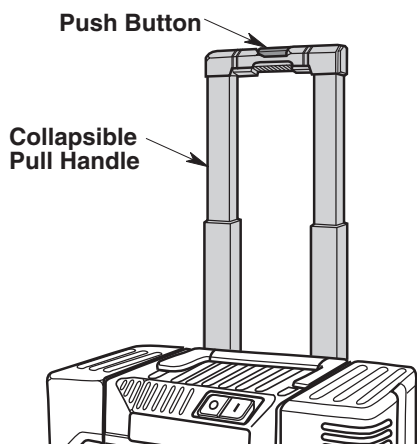
### Moving the Wet/Dry Vac

Should it become necessary to pick the Vac up to move it, the carry handle on the top of the Wet/Dry Vac can be used to lift.



To maneuver the Vac, the collapsible pull handle should be used. Simply squeeze the push button, located on the top of the collapsible pull handle, and gently pull up until full extension of the handle is reached. An audible click sound will be heard when the handle is in the locked position.

**NOTE:** Do not pick up or carry the vacuum by the collapsible pull handle.

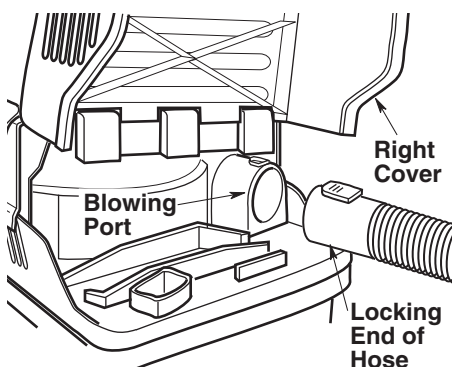


### Cord Storage

When vacuuming is complete, unplug the cord and wrap it up as described in the "Cord, Hose & Accessory Storage" Section shown on page 7.

### Blowing Feature

Your Wet/Dry Vac has the capability to be used as a blower for yard work, patio cleanup and workshop applications to blow sawdust and other debris. Raise the right cover and install the locking end of the hose into the blower port.



**▲ WARNING:** Always wear safety eyewear complying with ANSI Z87.1 (or in Canada, CSA Z94.3) before using as a blower.

**▲ WARNING:** To reduce the risk of injury to bystanders, keep them clear of blowing debris.

**▲ CAUTION:** Wear a dust mask if blowing creates dust which might be inhaled.

**▲ CAUTION:** To reduce the risk of hearing damage, wear ear protectors when using the Vac/Blower for extended time or in a noisy area.

# Maintenance

## Cleaning Vac Filter

**▲ WARNING:** To reduce the risk of injury from accidental starting, unplug power cord before changing or cleaning filter.

Be sure to dry the filter before storing or picking up dry debris.

## Filter Removal and Installation

### Filter Removal:

1. Hold the filter tabs of the Qwik Lock™ filter in each hand.
2. With one thumb on the Qwik Lock™ stud, which protrudes through the integrated filter plate, lift up on the filter tabs while pushing down on the stud.
3. This action will cause the filter to release from the filter cage. Slide filter off cage.

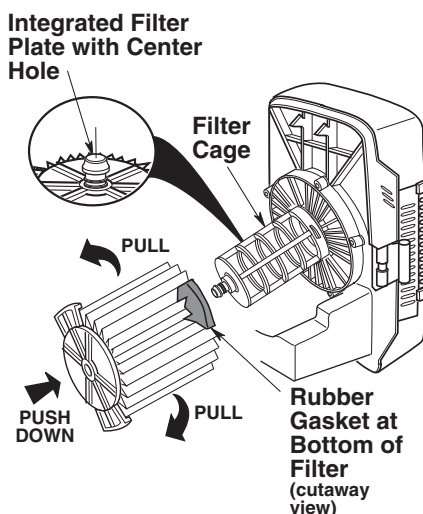
### Filter Installation:

1. Carefully slide the Qwik Lock™ filter over the filter cage and press down on the outside edge of the filter until the rubber gasket on the bottom of the filter seats securely around the base of the filter cage and against the lid.
2. Align the small center hole in the top of the filter over the Qwik Lock™ stud on the filter cage. Press firmly on top of the filter near the stud to allow the filter to snap over the ball on the end of the stud. The filter is now attached.

**NOTE:** Failure to properly seat the bottom gasket could result in debris bypassing the filter.

**NOTE:** The filter is made of high quality paper designed to stop very small particles of dust. The filter can be used for dry pick up or small amounts of liquid. Handle the filter carefully when removing to clean or installing it. Creases in the filter pleats may occur from installation but will not affect the performance of the filter.

**IMPORTANT:** To avoid damage to the blower wheel and motor, always reinstall the filter before using the Vac for dry material pickup.



## Cleaning A Dry Filter

**NOTE:** For best cleaning results due to accumulated dust, clean the filter in an open area. Cleaning SHOULD be done outdoors and not in the living quarters.

1. Remove filter from Vac. Gently tap the filter against the inside wall of your dust drum and the debris will loosen and fall.
2. For thorough cleaning of a dry filter with fine dust (no debris) you may run water through it as described in the "Cleaning A Wet Filter" Section.

## Cleaning A Wet Filter

After filter is removed, run water through the filter from a hose or spigot. Take care that water pressure from the hose is not strong enough to damage filter.

**IMPORTANT:** After cleaning, check the filter for tears or small holes. Do not use a filter with holes or tears in it. Even a small hole can cause a lot of dust to come out of your Vac. If your filter is damaged or worn, **Replace the filter immediately.**

Allow the filter to dry before reinstalling and storing the Vac.

## Maintenance (continued)

---

### Cleaning and Disinfecting the Wet/Dry Vac

To keep your Wet/Dry Vac looking its best, clean the outside with a cloth dampened with warm water and mild soap.

To clean the drum:

1. Dump debris out.
2. Wash drum thoroughly with warm water and mild soap.
3. Wipe out with dry cloth.

Before prolonged storage or as needed (i.e., waste water pick up) the drum should be disinfected.

To disinfect the drum:

1. Pour 1 gallon of water and 1 teaspoon chlorine bleach into the drum.
2. Let solution stand for 20 minutes, carefully swishing every few minutes, making sure to wet all inside surfaces of the drum.
3. Empty drum after 20 minutes. Rinse with water until bleach smell is gone. Allow drum to dry completely before sealing the motor on the drum.

### Cord Maintenance

When vacuuming is complete, unplug the cord and store it properly under the left cover (see "Cord, Hoses and Accessory Storage" section on page 7). If the power cord is damaged, it must be replaced by the manufacturer or their service agent or by similarly qualified personnel to reduce the risk of accident.

### Storage

Before storing your Vac, the drum should be emptied and cleaned. The cord should be stored properly inside the unit and the hose should be stored as described in this manual. Accessories should be kept in the same area as the Vac so they can be readily available. The Vac should be stored indoors.

### Wheels

Should your wheels squeak or become hard to roll, you should place two or three drops of general purpose oil on each wheel at the axle.

### Handles

Liquids and corrosive debris should be wiped off with a soft cloth should they come in contact with the handles.

**▲ WARNING: To assure product SAFETY and RELIABILITY, any other maintenance, repairs, or adjustments should be performed by Authorized service centers, always using RIDGID replacement parts.**

# Repair Parts


## RIDGID PRO PACK PLUS Wet/Dry Vac Model Number 1000RVO

RIDGID parts are available on-line at [www.ridgidparts.com](http://www.ridgidparts.com)

Always order by Part Number - Not by Key Number

### WARNING

#### SERVICING OF DOUBLE-INSULATED WET/DRY VAC

In a double-insulated Wet/Dry Vac, two systems of insulation are provided instead of grounding. No grounding means is provided on a double-insulated appliance, nor should a means for grounding be added. Servicing a double-insulated Wet/Dry Vac requires extreme care and knowledge of the system, and should be done only by qualified service personnel. Replacement parts for a double-insulated Wet/Dry Vac must be identical to the parts they replace. Your double-insulated Wet/Dry Vac is marked with the words "DOUBLE INSULATED" and the symbol  (square within a square) may also be marked on the appliance.

To reduce the risk of injury from electrical shock, unplug power cord before servicing the electrical parts of the Wet/Dry Vac.

Key No.	Part No.	Description
1	VF5000	†Filter, Fine Dust
2	509617	Filter Cage Assembly
3	831327	Hose Assembly
4	VT1702	†Crevice Tool
5	VT1701	†Dusting Brush
6	VT1709	†Utility Nozzle
7	VT1708	†Extension Wand'
8	831094	Left Cover
9	831095	Right

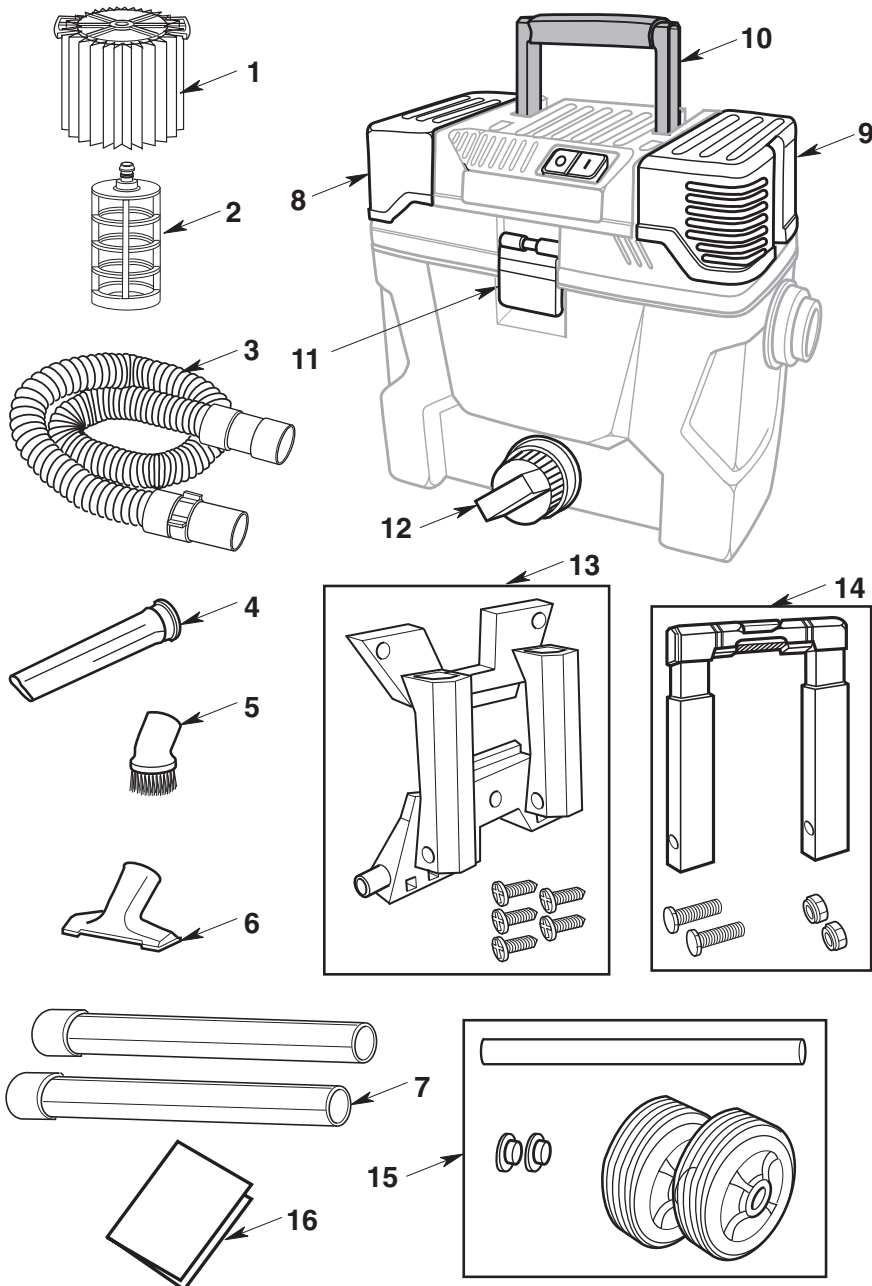
Key No.	Part No.	Description
10	831096	Carry Handle
11	826387	Drum Latch
12	73185	Drain Cap
13	510373	Handle Bracket w/Hardware
14	510374	Collapsible Pull Handle w/Hardware
15	510375	Wheel Assembly
16	SP6962	Owner's Manual

† These replacement parts may be available where you purchased your Vac.

# Repair Parts (continued)

## RIDGID PRO PACK PLUS Wet/Dry Vac Model Number 1000RV0

RIDGID parts are available on-line at [www.ridgidparts.com](http://www.ridgidparts.com)







• **What is covered**

RIDGID® Wet/Dry Vacs are warranted to be free of defects in workmanship and material.

• **How long coverage lasts**

This warranty lasts for the lifetime of the RIDGID® Wet/Dry Vac.

• **How to obtain service**

To obtain the benefit of this warranty, deliver via prepaid transportation the complete product to RIDGE TOOL COMPANY, Elyria, Ohio, or any authorized RIDGID® INDEPENDENT SERVICE CENTER. Pipe wrenches and other hand tools should be returned to the place of purchase.

• **What we will do to correct problems**

Warranted Wet/Dry Vacs will be repaired or replaced, at Ridge Tool Company's option, and returned at no charge; or, if after three attempts to repair or replace during the warranty period the Wet/Dry Vac is still defective, you can elect to receive a full refund of your purchase price.

• **What is not covered**

Failures due to misuse, abuse or normal wear and tear are not covered by this warranty. **RIDGE TOOL COMPANY SHALL NOT BE RESPONSIBLE FOR ANY INCIDENTAL OR CONSEQUENTIAL DAMAGES.**

• **How local laws relate to the warranty**

Some states do not allow the exclusion or limitation of incidental or consequential damages, so the above limitation or exclusion may not apply to you. This warranty gives you specific rights, and you may also have other rights which vary from state to state, province to province, or country to country.

• **No other express warranty applies**

This FULL LIFETIME WARRANTY is the sole and exclusive warranty for RIDGID® Wet/Dry Vacs. No employee, agent, dealer, or other person is authorized to alter this warranty or make any other warranty on behalf of Ridge Tool Company.

**Stock No. 1000RV**  
**Model No. 1000RV0**  
**Serial Number** \_\_\_\_\_

Model and serial numbers may be found on the power head, near the blowing port. You should record both model and serial numbers in a safe place for future use.

**QUESTIONS OR COMMENTS? CONTACT US AT**

**www.ridgidvac.com**

**In the U.S. and Canada, Call 1-800-4-RIDGID**

**In Mexico, Call 01-800-701-9811**

Please have your Model Number and Serial Number on hand when calling.



**EMERSON™**

© 2015 Emerson

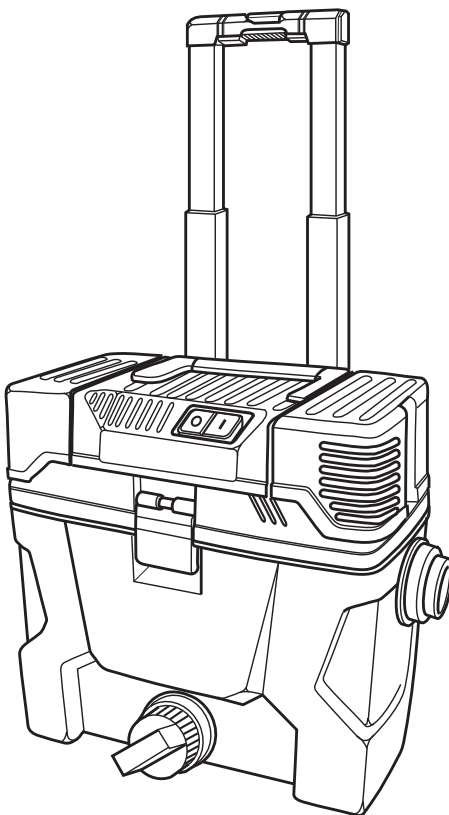
**Commercial & Residential Solutions**

**RIDGID**<sup>®</sup>

## MANUAL DEL USUARIO

ASPIRADORA PARA MOJADO/SECO  
PRO PACK PLUS

**1000RVO**



¿PREGUNTAS O COMENTARIOS? COMUNÍQUESE CON NOSOTROS EN

[www.ridgidvacs.com](http://www.ridgidvacs.com)

**1-800-4-RIDGID (1-800-474-3443) desde los EE.UU. y Canadá**  
**01-800-701-9811 desde México**

**⚠ ADVERTENCIA:**

Para reducir el riesgo de lesiones, el usuario debe leer y entender el manual del usuario antes de utilizar este producto.

Gracias por comprar un producto RIDGID.

• Français - page 33

**SAVE THIS MANUAL FOR FUTURE REFERENCE**

No. de pieza SP6962

Impreso en México

## Índice

Sección	Página	Sección	Página
Instrucciones de seguridad importantes	18	Mantenimiento	28-29
Introducción	20	Limpieza del filtro de la aspiradora	28
Desempaquetado y comprobación del contenido de la caja de cartón	20	Remoción e instalación del filtro	28
Familiarización con la aspiradora	21	Limpieza de un filtro seco	28
Ensamblaje de la aspiradora	22-23	Limpieza de un filtro mojado	28
Almacenamiento del cordón, la manguera y los accesorios	23-24	Limpieza y desinfección de la aspiradora para mojado/seco	29
Funcionamiento	24-27	Mantenimiento del cordón	29
Recogida de materiales secos con la aspiradora	25	Almacenamiento	29
Recogida de líquidos con la aspiradora	25	Ruedas	29
Vaciado del tambor para polvo	26	Asas	29
Introduzca la manguera	26	Piezas de repuesto	30-31
Traslado de la aspiradora para mojado/seco	27	Servicio de ajustes y reparaciones de una aspiradora para mojado/seco con aislamiento doble	30
Almacenamiento del cordón	27	Garantía	32
Dispositivo de soplado	27		

## INSTRUCCIONES DE SEGURIDAD IMPORTANTES

La seguridad es una combinación de sentido común, permanecer alerta y saber cómo funciona la aspiradora para mojado/seco ("la aspiradora").

### Palabras de señal de seguridad

**▲ PELIGRO:** indica una situación peligrosa que, si no se evita, causará la muerte o lesiones graves.

**▲ ADVERTENCIA:** indica una situación peligrosa que, si no se evita, podría causar la muerte o lesiones graves.

**▲ PRECAUCIÓN:** indica una situación peligrosa que, si no se evita, pudiera causar lesiones leves o moderadas.

Cuando utilice la aspiradora, siga siempre las precauciones básicas de seguridad, incluyendo las siguientes:

### ▲ ADVERTENCIA

– Para reducir el riesgo de incendio, sacudidas eléctricas o lesiones:

- Lea y entienda este manual del usuario y todas las etiquetas que están colocadas en la aspiradora para mojado/seco antes de utilizarla.
- Utilice la aspiradora únicamente de la manera que se describe en este manual.
- No deje la aspiradora en marcha mientras esté desatendida. Usted podría no notar señales importantes que indiquen un funcionamiento anormal, tal como pérdida de succión, residuos o líquido que salen por el escape o ruidos anormales del motor. Deje de usar la aspiradora inmediatamente si observa estas señales.
- No abandone la aspiradora cuando esté enchufada. Desenchúfela del tomacorriente cuando no la esté utilizando y antes de realizar servicio de revisión.
- Las chispas que se producen en el interior del motor pueden incendiar los vapores inflamables o el polvo. Para reducir el riesgo de incendio o

explosión: No use la aspiradora cerca de líquidos o gases inflamables o combustibles, o polvos explosivos como gasolina u otros combustibles, líquido encendedor, limpiadores, pinturas a base de aceite, gas natural, polvo de carbón, polvo de magnesio, polvo de granos de cerea, polvo de aluminio o pólvora.

- No recoja con la aspiradora nada que esté ardiendo o humeando, como cigarrillos, fósforos o cenizas calientes.
- No recoja con la aspiradora polvo de pared de tipo seco ni hollín frío o ceniza fría de chimenea con un filtro estándar. Estos materiales pueden pasar por el filtro y pueden ser expulsados de vuelta al aire. Utilice un filtro para polvo fino en lugar de un filtro estándar.
- Para reducir el riesgo de inhalar vapores tóxicos, no recoja con la aspiradora materiales tóxicos o peligrosos ni la use cerca de dichos materiales.
- Para reducir el riesgo de descargas eléctricas, no exponga la aspiradora a la lluvia ni deje que entren líquidos en el compartimiento del motor. Guarde la aspiradora en un lugar interior.
- Esta aspiradora mojado/seco no se destina para utilizarse por personas (incluyendo niños) cuyas capacidades físicas, sensoriales o mentales sean diferentes o estén reducidas, o carezcan de experiencia o conocimiento, a menos que dichas personas reciban una supervisión o capacitación para el funcionamiento del aparato por una persona responsable de su seguridad.
- No permita que la aspiradora se utilice como un juguete. Se necesita prestar máxima atención cuando sea utilizada por niños o cerca de éstos.
- No use la aspiradora con un filtro desgarrado o sin tener el filtro instalado, excepto cuando recoja con ella líquidos de la manera que se describe en este manual. Los residuos secos absorbidos por el impulsor podrían dañar el motor o ser expulsados de vuelta al aire.
- Apague la aspiradora antes de desenchufarla.

- Para reducir el riesgo de lesiones debidas a un arranque accidental, desenchufe el cordón de energía antes de cambiar o limpiar el filtro.
- No desenchufe la aspiradora tirando del cordón. Para desenchufarla, agarre el enchufe y no el cordón.
- No use la aspiradora con el cordón dañado, el enchufe dañado u otras piezas dañadas. Si la aspiradora no funciona como debe, le faltan piezas, se ha caído, ha sido dañada, se ha dejado a la intemperie o se ha caído al agua, llame a servicio al cliente.
- No tire de la aspiradora usando el cordón ni la lleve por el cordón, ni use el cordón como asa, ni cierre una puerta sobre el cordón, ni tire del cordón alrededor de bordes o esquinas afilados. Mantenga el cordón alejado de las superficies calientes.
- No maneje el enchufe, el interruptor o la aspiradora con las manos mojadas.
- Utilice únicamente cordones de extensión que tengan capacidad nominal para uso a la intemperie. Los cordones de extensión que estén en malas condiciones o tengan un tamaño de alambre demasiado pequeño pueden crear peligros de incendio y descargas eléctricas. Para reducir el riesgo de estos peligros, asegúrese de que el cordón esté en buenas condiciones y que el líquido no entre en contacto con la conexión. No utilice un cordón de extensión que tenga conductores con un diámetro menor al calibre 16 (AWG). Para reducir la pérdida de potencia, utilice un cordón de extensión de calibre 14 si la longitud es de 25 a 50 pies, y de calibre 12 si la longitud es de 50 pies o más.
- Esta aspiradora tiene aislamiento doble, lo cual elimina la necesidad de un sistema independiente de conexión a tierra. Utilice únicamente piezas de repuesto idénticas. Lea las instrucciones de servicio de revisión de las aspiradoras para mojado/seco con aislamiento doble.
- No ponga ningún objeto en las aberturas de ventilación. No recoja nada con la aspiradora cuando cualquiera de las aberturas de ventilación esté bloqueada; mantenga dichas aberturas libres de polvo, pelusa, pelo o cualquier cosa que pueda reducir el flujo de aire.
- Mantenga el pelo, la ropa holgada, los dedos y todas las partes del cuerpo alejados de las aberturas y de las piezas móviles.
- Para reducir el riesgo de caídas, tenga cuidado adicional al limpiar en escaleras.
- Para reducir el riesgo de lesiones corporales o daños a la aspiradora, utilice únicamente accesorios recomendados por Ridgid.
- Cuando utilice la aspiradora como soplador :
  - Dirija la descarga de aire solamente hacia el área de trabajo.
  - No dirija el aire hacia las personas que estén presentes.
  - Mantenga alejados a los niños durante la operación de soplado.
- No utilice el soplador para trabajos que no sean soplar suciedad y residuos.
- No use la aspiradora como rociador.
- Para reducir el riesgo de lesiones en los ojos, use protección ocular de seguridad. La utilización de cualquier aspiradora utilitaria o soplador utilitario puede hacer que se soplen objetos extraños hacia los ojos, lo cual puede causar daños graves en los ojos.
- No almacene ni apile artículos sobre la aspiradora.

### **▲ PRECAUCIÓN:**

- Para reducir el riesgo de daños a la audición, use protectores de oídos cuando utilice la aspiradora durante muchas horas seguidas o cuando la emplee en un área ruidosa.
- Para operaciones que generan polvo, use una máscara antipolvo.
- Las descargas de estática son comunes cuando la humedad relativa del aire es baja. Si recoge residuos finos con la aspiradora, se puede depositar carga estática en la manguera o en la aspiradora. El mejor remedio para reducir la frecuencia de las descargas de estática en su casa o cuando use esta aspiradora es añadir humedad al aire con un humidificador.

Siga las siguientes advertencias que aparecen en la caja del motor de la aspiradora.



**AISLAMIENTO DOBLE. NO SE REQUIERE CONEXION A TIERRA.**

CUANDO HAGA SERVICIO DE REVISIÓN DE LA ASPIRADORA, UTILICE ÚNICAMENTE PIEZAS DE REPUESTO IDÉNTICAS.

**▲ ADVERTENCIA: Para reducir el riesgo de sacudidas eléctricas, no exponga la aspiradora a la lluvia y almacénela en interiores.**

**▲ ADVERTENCIA: Peso límite de 50 lb. No se pare sobre la aspiradora ni se siente en ella. El uso inapropiado puede causar lesiones.**

**▲ ADVERTENCIA: Para reducir el riesgo de incendio, no almacene objetos extraños en este compartimiento. Almacene únicamente los accesorios de la aspiradora.**

**▲ ADVERTENCIA: Para su propia seguridad, lea y entienda el manual del operador. No tenga en marcha la aspiradora desatendida. No recoja cenizas calientes, carbón caliente, materiales tóxicos ni inflamables ni otros materiales peligrosos. No use la aspiradora alrededor de líquidos o vapores explosivos.**

## **GUARDE ESTE MANUAL**

# Introducción

Esta aspiradora para mojado/seco PRO PACK PLUS está diseñada solamente para uso doméstico. Se puede utilizar para recoger materiales mojados o secos y se puede usar como soplador.

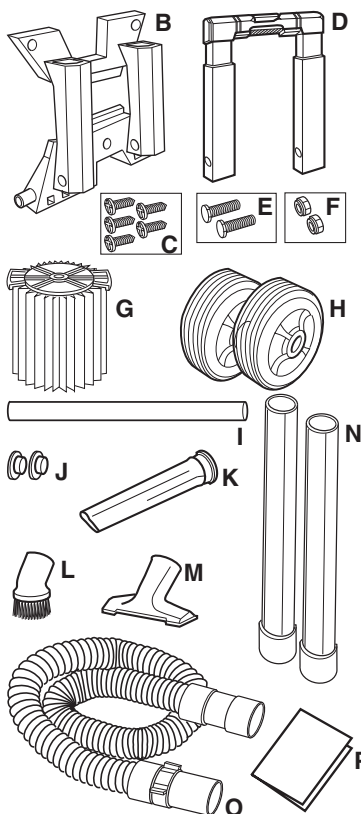
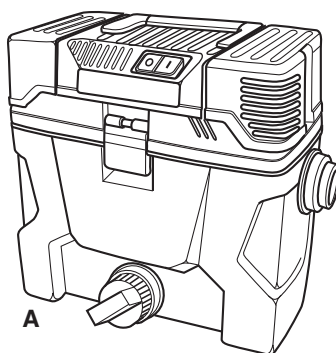
Lea este manual del usuario para familiarizarse con las características del producto y para entender la utilización específica de su nueva aspiradora.

## Desempaquetado y comprobación del contenido de la caja de cartón

Saque todo el contenido de la caja de cartón. Asegúrese de que no falte ningún artículo utilizando la lista del contenido de la caja. Llame al 1-800-4-RIDGID (1-800-474-3443) desde los EE.UU. y Canadá, y al 01-800-701-9811 desde México, o envíenos un correo electrónico a [info@ridgid.com](mailto:info@ridgid.com) si cualquier pieza está dañada o falta.

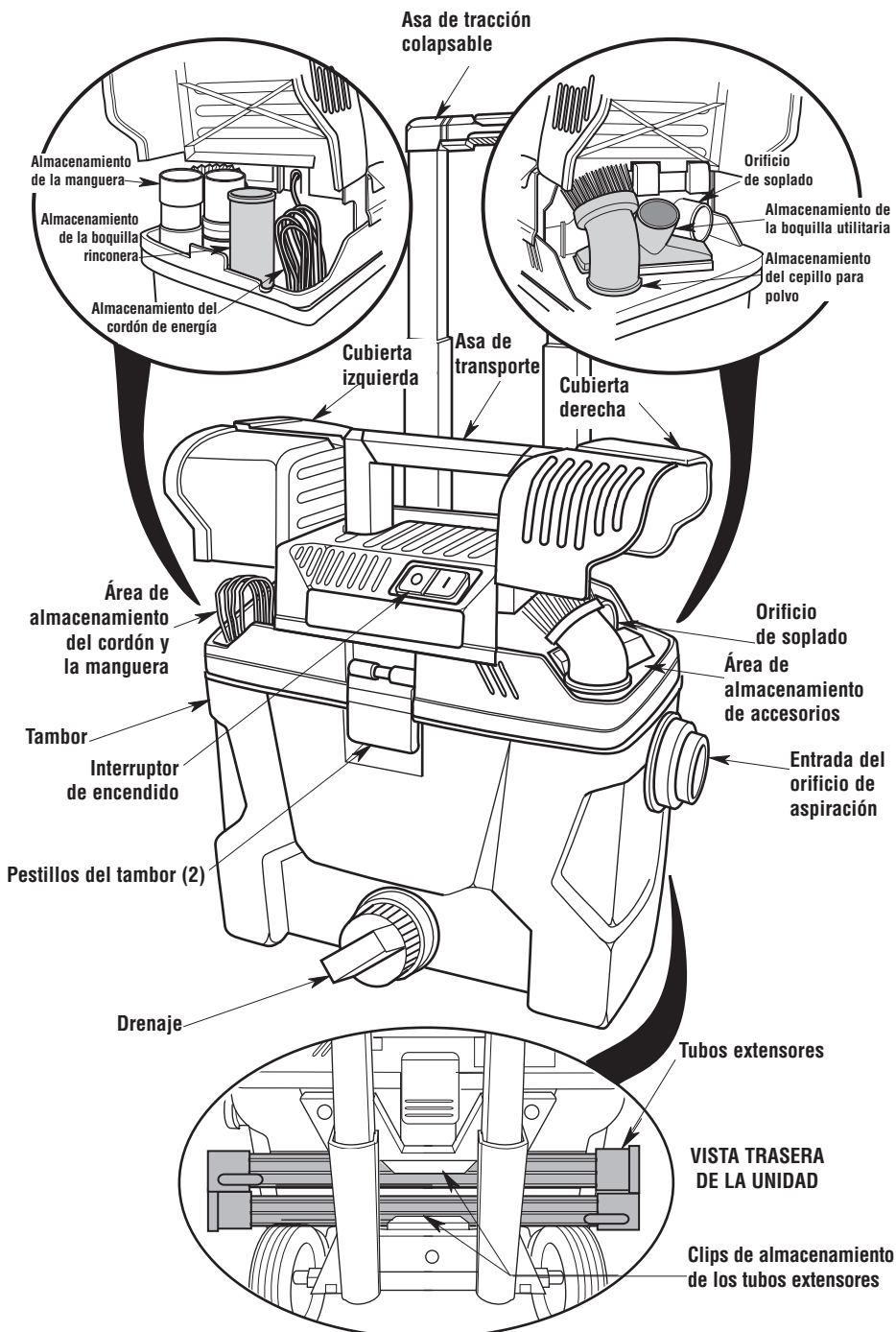
### Lista del contenido de la caja de cartón

<u>Clave</u>	<u>Descripción</u>	<u>Cant.</u>
A	Aspiradora PRO PACK PLUS .....	1
B	Soporte del asa.....	1
C	Herrajes del soporte del asa.....	5
D	Asa de tracción colapsable .....	1
E	Pernos del asa.....	2
F	Tuercas de fijación del asa.....	2
G	Filtro de cartucho .....	1
H	Ruedas traseras.....	2
I	Eje.....	1
J	Tuercas de tapa .....	1
K	Boquilla rinconera.....	1
L	Cepillo para polvo.....	1
M	Boquilla de uso general.....	1
N	Tubos extensores.....	2
O	Manguera Superflex .....	1
P	Manual del usuario .....	1



# Familiarización con la aspiradora

Familiarícese con los controles y las características de la aspiradora para mojado/seco antes de utilizarla.

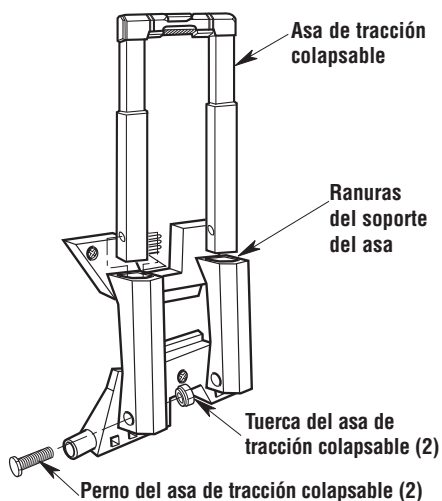


## Ensamblaje

### Instalación del asa de tracción colapsable en el soporte del asa

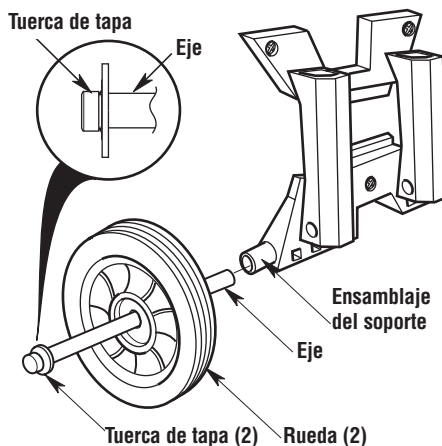
1. Deslice el asa de tracción colapsable hacia el interior de las ranuras del soporte del asa.
2. Alineando los agujeros inferiores del asa de tracción colapsable y los agujeros ubicados en el soporte del asa, coloque el perno del asa a través del agujero y sujételo firmemente con la tuerca del asa.
3. Instale el segundo perno y la segunda tuerca y apriete ambas tuercas sólo hasta que estén bien ajustadas.

**NOTA:** No apriete excesivamente las tuercas del asa, ya que esto podrá deformar o dañar el soporte del asa o el asa de tracción colapsable



### Instalación de las ruedas y el eje

1. Localice el eje, las 2 ruedas y las 2 tuercas de tapa.
2. Instalación de una tuerca de tapa:
  - a. Coloque la tuerca de tapa en el extremo del eje.
  - b. Golpee suavemente la tuerca de tapa con un martillo hasta que esté completamente asentada en el eje.
  - c. Coloque una rueda en el eje y deslícela contra la tuerca de tapa instalada (con la parte lisa de la rueda orientada hacia fuera).
3. Deslice el extremo descubierto del eje a través del ensamblaje del soporte del asa, de la manera que se muestra en la ilustración. Puede que se requieran unos golpes suaves con un mazo de caucho para insertar completamente el eje.
4. Instale la segunda rueda en el otro extremo del eje (con la parte lisa de la rueda orientada hacia fuera).
5. Instale la segunda tuerca de tapa. Golpee suavemente la tuerca de tapa sobre el eje hasta que esté firmemente asentada.

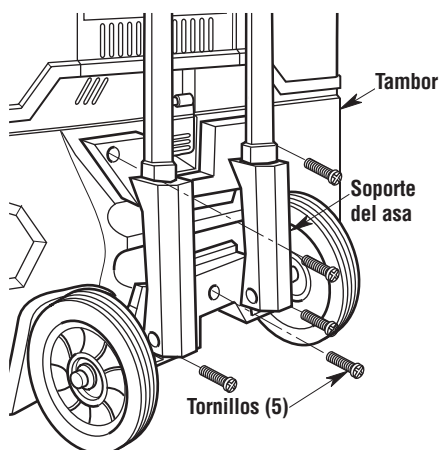




## Ensamblaje (continuación)

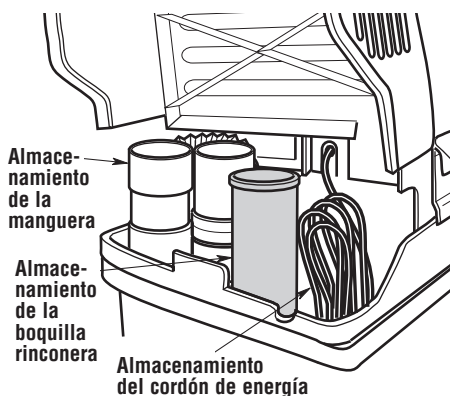
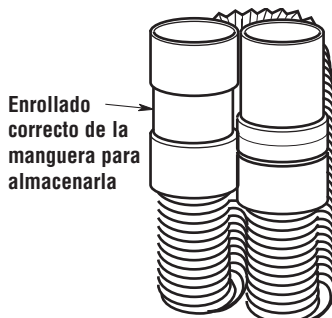
### Instalación del soporte del asa en el tambor

1. Alinee el ensamblaje del soporte del asa con la parte trasera del ensamblaje del tambor para polvo, de la manera que se muestra en la ilustración.
2. Instale 5 tornillos (suministrados) a través de los agujeros coincidentes ubicados en la parte trasera del ensamblaje del soporte del asa, de manera que entren en el tambor para polvo.
3. Apriete los tornillos sólo hasta que estén bien ajustados. No los apriete excesivamente, ya que esto podrá deformar o dañar el ensamblaje del soporte del asa o el ensamblaje del tambor.



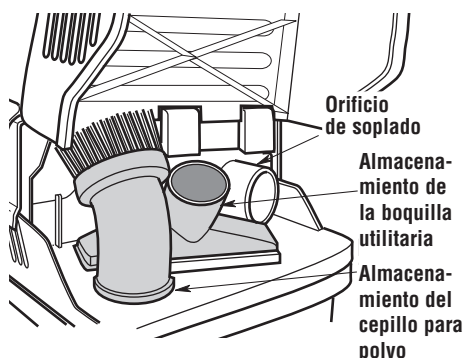
## Almacenamiento del cordón, la manguera y los accesorios

1. Esta aspiradora tiene prácticas ubicaciones para almacenar el cordón de energía, la manguera de aspiración y los accesorios.
2. Debajo de la cubierta izquierda de la aspiradora para mojado/seco (tal como se muestra en la ilustración) hay una ubicación de almacenamiento diseñada para albergar la manguera superflex, la boquilla rinconera y el cordón de energía. Para facilitar su almacenamiento, la manguera se debe doblar de la manera que se muestra en la ilustración y se debe colocar en el recipiente de almacenamiento, en su parte completamente a la izquierda. Usted notará también que hay un elemento rectangular en el fondo de este recipiente. La boquilla rinconera se almacenará fácilmente en posición vertical en este elemento, con el lado cónico orientado hacia abajo. Asimismo, el cordón de energía también cabrá en este recipiente, en el lado ubicado completamente a la derecha. Doble o enrolle el cordón en tramos de aproximadamente 1 pie de longitud hasta que llegue a un pie de distancia o menos del recipiente de almacenamiento. El cordón doblado debería caber ahora nítidamente en el recipiente de almacenamiento.

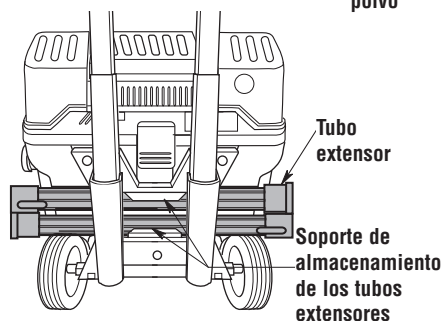


## Almacenamiento del cordón, la manguera y los accesorios (continuación)

3. Debajo de la cubierta derecha de la aspiradora para mojado/seco (tal como se muestra en la ilustración) hay una ubicación de almacenamiento para el cepillo para polvo y la boquilla utilitaria. Cada una de estas boquillas tiene una ubicación específica moldeada en la carcasa. Solamente se deben almacenar estas dos boquillas en esta ubicación. En el interior de este compartimiento también se encuentra el orificio de soplado. Sírvase consultar la sección "Soplado" para obtener instrucciones de soplado.



4. Para almacenar los tubos extensores, acople a presión cada tubo extensor en las abrazaderas para tubos extensores ubicadas en la parte trasera de la unidad.



## Funcionamiento

**⚠ ADVERTENCIA:** Para reducir el riesgo de incendio, explosión o daños a la aspiradora:

- No deje la aspiradora en marcha mientras esté desatendida. Usted podría no notar señales importantes que indiquen un funcionamiento anormal, tal como pérdida de succión, residuos o líquido que salen por el escape o ruidos anormales del motor. Deje de usar la aspiradora inmediatamente si observa estas señales.
- No deje la aspiradora enchufada cuando no se esté utilizando.
- No continúe usando la aspiradora cuando el flotador haya cortado la succión.
- Las chispas generadas dentro del motor pueden incendiar los materiales inflamables suspendidos en el aire. No utilice la aspiradora cerca de líquidos inflamables ni en áreas con gases o vapores inflamables o polvo explosivo/suspendido en el aire. Los líquidos inflamables, gases inflamables y los vapores inflamables incluyen: líquido encendedor, limpiadores tipo solvente, pinturas a base de aceite, gasolina, alcohol y rociadores tipo aerosol. Los polvos explosivos incluyen: carbón, magnesio, aluminio, grano de cereal y pólvora.
- No recoja con la aspiradora polvos explosivos, líquidos inflamables ni cenizas calientes.

**⚠ ADVERTENCIA:** Para reducir el riesgo de descargas eléctricas o lesiones:

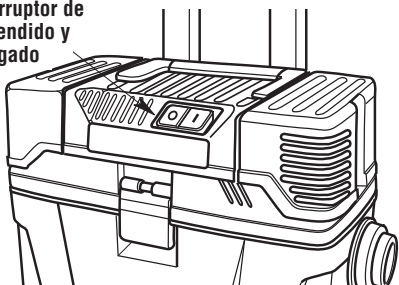
- No exponga la aspiradora a la lluvia ni deje que entre líquido en el compartimiento del motor. Almacene la aspiradora en un lugar interior.
- No maneje el enchufe, el interruptor o la aspiradora con las manos mojadas.
- Desenchufe la aspiradora antes de hacerle servicio de ajustes y reparaciones. Si la aspiradora no está funcionando como debería, le faltan piezas, se ha caído, está dañada, se ha dejado a la intemperie o se ha caído al agua, devuélvala a un centro de servicio independiente o llame a servicio al cliente.
- Cuando utilice un cordón de extensión, utilice únicamente cordones con capacidad nominal para uso a la intemperie que estén en buenas condiciones. No deje que la conexión entre en contacto con líquido.

## Funcionamiento (continuación)

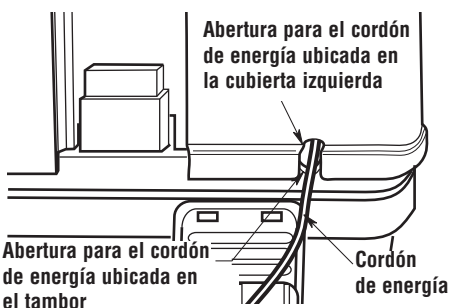
Para reducir el riesgo de sacudidas eléctricas, este aparato electrodoméstico tiene un enchufe polarizado (una hoja es más ancha que la otra). Este enchufe entrará en un tomacorriente polarizado solamente de una manera. Si el enchufe no entra por completo en el tomacorriente, déle la vuelta. Si sigue sin entrar, póngase en contacto con un electricista competente para instalar el tomacorriente adecuado. No haga ningún tipo de cambio en el enchufe. Después de enchufar el cordón de energía en el tomacorriente, encienda la unidad empujando el interruptor de la posición "O" a la posición "I". Los símbolos utilizados en el accionador del interruptor son los símbolos internacionales de "encendido y apagado".

○ = APAGADO | = ENCENDIDO

Interruptor de encendido y apagado



Cuando utilice la aspiradora con las tapas del área de almacenamiento cerradas, tenga cuidado para asegurarse de que el cordón de energía este posicionado a través de la abertura para el cordón ubicada en la cubierta.



**NOTA:** Cuando utilice la unidad en el modo de aspiración, la tapa del área de almacenamiento de accesorios se puede usar como un difusor de aire. Para ello, cierre la tapa.

Familiarícese con los accesorios que se incluyen con la aspiradora. Cada accesorio puede usarse de diversas maneras para aspirar y soplar residuos. A continuación hay una lista de los accesorios y de sus usos.

**Cepillo para polvo** – Utilícelo para limpiar áreas en las que haya polvo fino o residuos finos. Magnífico para realizar limpieza detallada.

**Boquilla rinconera** – Utilícela para recoger residuos en lugares difíciles de alcanzar.

**Boquilla utilitaria** – Boquilla de uso general para la mayoría de las aplicaciones de limpieza con aspiradora.

**Manguera** – Proporciona transferencia de capacidad de aspiración o soplado al lugar de la obra. Proporciona los medios para instalar los accesorios. La manguera incluye una válvula de descarga de succión para reducir la fuerza de retroceso de la manguera cuando la entrada está bloqueada.

### Recogida de materiales secos con la aspiradora

1. El filtro debe estar siempre en posición correcta, en todo momento, para evitar fugas y posibles daños a la aspiradora.
2. Al utilizar la aspiradora para recoger polvo muy fino, será necesario que usted vacíe el tambor y limpie el filtro a intervalos más frecuentes para mantener un rendimiento óptimo

**NOTA:** Se necesita un filtro seco para recoger material seco. Si utiliza la aspiradora para recoger polvo cuando el filtro está mojado, éste se atascará rápidamente y será muy difícil limpiarlo.

### Recogida de líquidos con la aspiradora

1. Cuando recoja pequeñas cantidades de líquido (2-4 pulgadas de líquido en el fondo del tambor), el filtro se podrá dejar colocado en la aspiradora.
2. Cuando recoja cantidades más grandes de líquido (más de 4 pulgadas de líquido en el fondo del tambor), recomendamos retirar el filtro. Si no se retira el filtro, éste se saturará y podrá aparecer niebla en el chorro de aire de escape.

## Funcionamiento (continuación)

**⚠ ADVERTENCIA:** No utilice la aspiradora sin la jaula del filtro y el flotador, ya que estas piezas evitan que entre líquido en el impulsor y dañe el motor.

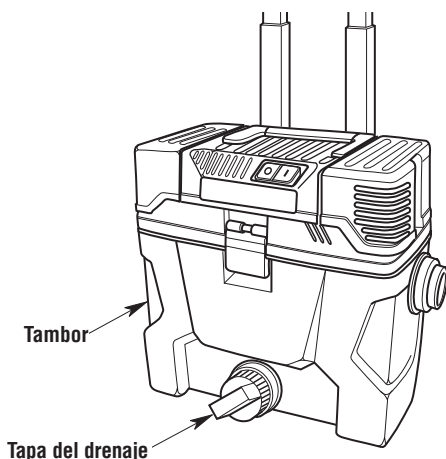
3. Cuando el líquido contenido en el tambor alcance un nivel predeterminado, el mecanismo del flotador subirá automáticamente para interrumpir la succión. Sabrá que el flotador ha subido porque el flujo de aire de la aspiradora cesará y subirá el tono del ruido del motor debido a que se producirá un aumento de la velocidad del mismo. Cuando esto suceda, apague la aspiradora, desenchufe el cordón de energía y vacíe el tambor.
4. Después de usar la aspiradora para recoger líquidos, se debe secar el filtro para evitar posible moho y daños al filtro.

**IMPORTANTE:** Para reducir el riesgo de daños a la aspiradora, no tenga en marcha el motor con el flotador en la posición elevada.

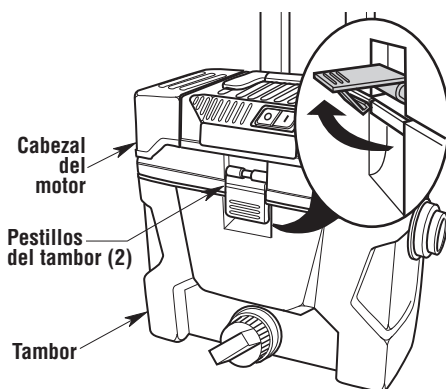
### Vaciado del tambor para polvo

**⚠ ADVERTENCIA:** Para reducir el riesgo de lesiones debidas a un arranque accidental, desenchufe el cordón de energía antes de vaciar el tambor.

1. La aspiradora viene equipada con un drenaje para vaciarla fácilmente de líquidos. Simplemente desenrosque la tapa del drenaje y levante ligeramente el lado opuesto para vaciar el tambor.



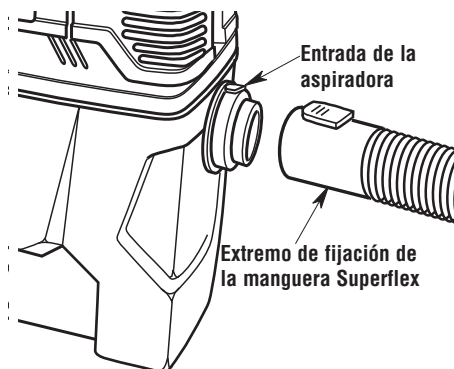
2. Otra opción es retirar el cabezal del motor para vaciar el contenido del tambor para polvo; simplemente levante los dos pestillos del tambor ubicados en la parte delantera y la parte trasera de la aspiradora, levante el cabezal del motor hasta separarlo del tambor para polvo y póngalo a un lado.
3. Ponga el cabezal del motor en posición vertical en un área limpia y seca mientras vacía el tambor.
4. Vierta el contenido del tambor en el recipiente adecuado de eliminación de residuos.



### Introduzca la manguera

Inserte el extremo con botón pulsador de la manguera Superflex en la entrada de la aspiradora, ubicada en un lado de la misma. La manguera debe acoplarse a presión en su sitio.

Para quitar la manguera de la aspiradora, oprima el botón de liberación que está en el ensamblaje de la manguera y tire de la manguera hasta sacarla de la entrada de la aspiradora, de la manera que se muestra en la ilustración.

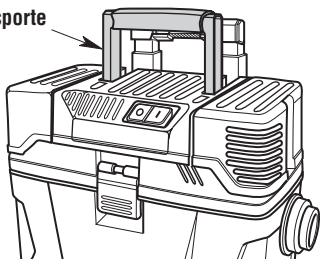


## Funcionamiento (continuación)

### Traslado de la aspiradora para mojado/seco

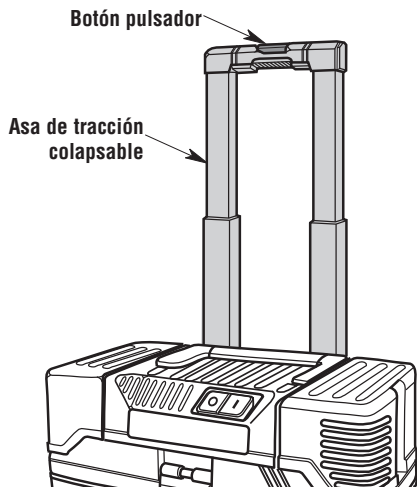
En el caso de que sea necesario levantar la aspiradora para trasladarla, el asa de transporte ubicada en la parte superior de la aspiradora para seco/mojado se puede usar para levantarla.

Asa de transporte



Para maniobrar la aspiradora, se deberá usar el asa de tracción colapsable. Simplemente presione el botón pulsador, ubicado en la parte superior del asa de tracción colapsable, y jale el asa suavemente hacia arriba hasta que se alcance su extensión completa. Se oirá un sonido de clic audible cuando el asa esté en la posición bloqueada.

**NOTA:** No levante ni lleve la aspiradora por el asa de tracción colapsable.

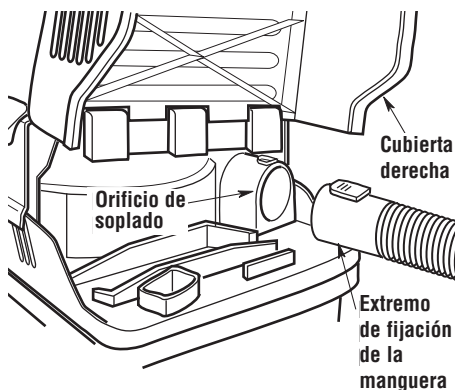


### Almacenamiento del cordón

Cuando haya terminado de limpiar con la aspiradora, desenchufe el cordón y enróllelo de la manera descrita en la sección "Almacenamiento del cordón, la manguera y los accesorios" que se encuentra en la página 23.

### Dispositivo de soplado

La aspiradora para mojado/seco tiene capacidad para utilizarse como soplador con el fin de realizar trabajo de jardín, limpieza de patios y aplicaciones de taller para soplar aserrín y otros residuos. Levante la cubierta derecha e instale el extremo de fijación de la manguera en el orificio de soplado.



**⚠ ADVERTENCIA:** Use siempre protectores oculares de seguridad que cumplan con la norma ANSI Z87.1 (o en Canadá, con la norma CSA Z94.3) antes de utilizar la aspiradora como soplador.

**⚠ ADVERTENCIA:** Para reducir el riesgo de lesiones a las personas que estén presentes, manténgalas alejadas de los residuos soplados.

**⚠ ADVERTENCIA:** Use una máscara antipolvo si el soplado genera polvo que podría ser inhalado.

**⚠ PRECAUCIÓN:** Para reducir el riesgo de daños a la audición, use protectores de oídos cuando utilice la aspiradora/soplador durante muchas horas seguidas o cuando la utilice en un área ruidosa.

# Mantenimiento

## Limpieza del filtro de la aspiradora

**⚠ ADVERTENCIA:** Para reducir el riesgo de lesiones debidas a un arranque accidental, desehufe el cordón de energía antes de cambiar o limpiar el filtro.

Asegúrese de secar el filtro antes de guardar la aspiradora o de recoger residuos secos.

### Remoción e instalación del filtro

#### Remoción del filtro:

1. Sostenga las lengüetas del filtro Qwik Lock™ en cada mano.
2. Con un dedo pulgar en el vástago Qwik Lock™, que sobresale a través de la placa del filtro integrada, levante las lengüetas del filtro a la vez que empuja hacia abajo sobre el vástago.
3. Esta acción hará que el filtro se suelte de la jaula del filtro. Deslice el filtro hasta retirarlo de la jaula.

#### Instalación del filtro:

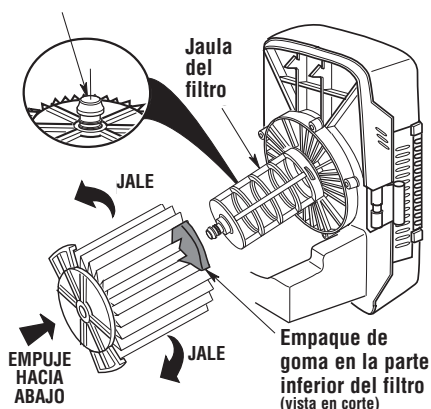
1. Deslice cuidadosamente el filtro Qwik Lock™ sobre la jaula del filtro y presione hacia abajo sobre el borde exterior del filtro, hasta que la empaquetadura de caucho ubicada en la parte inferior del filtro se asiente de manera segura alrededor de la base de la jaula del filtro y contra la tapa.
2. Alinee el agujero central pequeño ubicado en la parte superior del filtro sobre el vástago Qwik Lock™ ubicado en la jaula del filtro. Presione firmemente sobre la parte de arriba del filtro cerca del vástago, para permitir que el filtro se acople a presión sobre la bola ubicada en el extremo del vástago. Una vez hecho esto, el filtro estará instalado.

**NOTA:** Si no se asienta apropiadamente el empaque inferior, el resultado podría ser que los residuos rodeen el filtro.

**NOTA:** Este filtro está hecho de papel de alta calidad diseñado para detener partículas de polvo muy pequeñas. El filtro se puede usar para recoger material seco o pequeñas cantidades de líquido. Maneje el filtro cuidadosamente al quitarlo para limpiarlo o al instalarlo. Es posible que se produzcan arrugas en los pliegues del filtro, pero dichas arrugas no afectarán el funcionamiento del filtro.

**IMPORTANTE:** Para evitar daños a la rueda del soplador y al motor, vuelva a instalar siempre el filtro antes de usar la aspiradora para recoger material seco.

### Placa de filtro integrada con agujero central



### Limpieza de un filtro seco

**NOTA:** Para lograr una limpieza óptima con el fin de eliminar el polvo acumulado en el filtro, limpie el filtro en un área abierta. La limpieza del filtro DEBE realizarse al aire libre y no en el interior de una vivienda.

1. Quite el filtro de la aspiradora. Golpee suavemente el filtro contra la pared interior del tambor para polvo. Los residuos se soltarán y caerán.
2. Para limpiar minuciosamente el filtro seco con polvo fino (sin residuos), puede hacer pasar agua a través del filtro tal como se describe bajo "Limpieza de un filtro mojado".

### Limpieza de un filtro mojado

Después de quitar el filtro, haga pasar agua a través de él usando una manguera o desde una espita. Tenga cuidado de que la presión del agua procedente de la manguera no sea tan fuerte como para dañar el filtro.

**IMPORTANTE:** Después de limpiar el filtro, compruebe si éste tiene desgarraduras o agujeros pequeños. No use un filtro que tenga agujeros o desgarraduras. Incluso un agujero pequeño puede hacer que salga mucho polvo de la aspiradora. Si el filtro está dañado o desgastado, **reemplácelo inmediatamente.**

Deje que el filtro se seque antes de volver a instalarlo y de guardar la aspiradora.

## Mantenimiento (continuación)

### Limpieza y desinfección de la aspiradora para mojado/seco

Para mantener el mejor aspecto posible de la aspiradora para mojado/seco, limpie su exterior con un paño humedecido con agua templada y un jabón suave.

Para limpiar el tambor:

1. Vacíe de residuos el tambor.
2. Lave a fondo el tambor con agua templada y un jabón suave.
3. Limpie el tambor con un paño seco.

Antes de un almacenamiento prolongado o según sea necesario (por ejemplo, si se recogen aguas residuales), se debe desinfectar el tambor.

Para desinfectar el tambor:

1. Eche 1 galón de agua y 1 cucharadita de blanqueador de cloro en el tambor.
2. Deje que la solución repose durante 20 minutos y agítela cuidadosamente cada pocos minutos, asegurándose de mojar todas las superficies interiores del tambor.
3. Vacíe el tambor después de 20 minutos. Enjuáguelo con agua hasta que el olor a blanqueador desaparezca. Deje que el tambor se seque completamente antes de sellar el motor sobre el tambor.

### Mantenimiento del cordón

Cuando haya completado la operación con la aspiradora, desenchufe el cordón de energía y almacénelo adecuadamente bajo la cubierta izquierda (vea la sección "Almacenamiento del cordón, las mangueras y los accesorios" en la página 23). Si el cordón de energía está dañado, debe ser reemplazado por el fabricante o su agente de servicio o por personal similarmente calificado, para reducir el riesgo de accidente.

### Almacenamiento

Antes de almacenar la aspiradora, se debe vaciar y limpiar el tambor para polvo. El cordón se debe almacenar adecuadamente dentro de la unidad y la manguera se debe almacenar de la manera que se describe en este manual. Los accesorios se deben mantener en la misma área que la aspiradora para que estén al alcance de la mano cuando se necesiten. La aspiradora se debe almacenar en interiores.

### Ruedas

En el caso de que las ruedas chirrien o sea difícil hacerlas rodar, usted deberá poner dos o tres gotas de aceite de uso general en cada una de las ruedas ubicadas en el eje.

### Asas

Los líquidos y los residuos corrosivos se deberán eliminar con un paño suave en el caso de que entren en contacto con las asas.

**▲ ADVERTENCIA:** Para garantizar la **SEGURIDAD** y **CONFIABILIDAD** del producto, cualquier otro mantenimiento, reparación o ajuste deberá ser realizado por centros de servicio autorizados, utilizando siempre piezas de repuesto RIDGID.



# Piezas de repuesto

## Aspiradora para seco/mojado RIDGID PRO PACK PLUS


Número de modelo 100RVO

Las piezas RIDGID se encuentran disponibles en línea conectándose a [www.ridgidparts.com](http://www.ridgidparts.com)

Pida siempre por número de pieza —no por número de clave

### ▲ ADVERTENCIA

#### SERVICIO DE AJUSTES Y REPARACIONES DE UNA ASPIRADORA PARA MOJADO/SECO CON AISLAMIENTO DOBLE

En una aspiradora para mojado/seco con aislamiento doble se proporcionan dos sistemas de aislamiento en vez de conexión a tierra. No se proporciona ningún medio de conexión a tierra en un aparato electrodoméstico con aislamiento doble, ni se debe añadir a éste ningún medio de conexión a tierra. El servicio de ajustes y reparaciones de una aspiradora para mojado/seco con aislamiento doble requiere extremado cuidado y conocimiento del sistema, y debe ser realizado únicamente por personal de servicio competente. Las piezas de repuesto para la aspiradora para mojado/seco con aislamiento doble deben ser idénticas a las piezas que reemplazan. La aspiradora para mojado/seco con aislamiento doble está marcada con las palabras "DOUBLE INSULATED" (con aislamiento doble) y puede que el símbolo  (un cuadrado dentro de un cuadrado) también esté marcado en los aparatos.

Para reducir el riesgo de lesiones por causa de descargas eléctricas, desenchufe el cordón de energía antes de hacer servicio de ajustes y reparaciones a las piezas eléctricas de la aspiradora para mojado/seco.

No. de clave	No. de pieza	Descripción
1	VF5000	† Filtro para polvo fino
2	509617	Ensamblaje de la jaula del filtro
3	831327	Ensamblaje de manguera
4	VT1702	† Boquilla rinconera
5	VT1701	† Cepillo para polvo
6	VT1709	† Boquilla utilitaria
7	VT1708	† Tubo extensor
8	831094	Cubierta izquierda
9	831095	Cubierta derecha

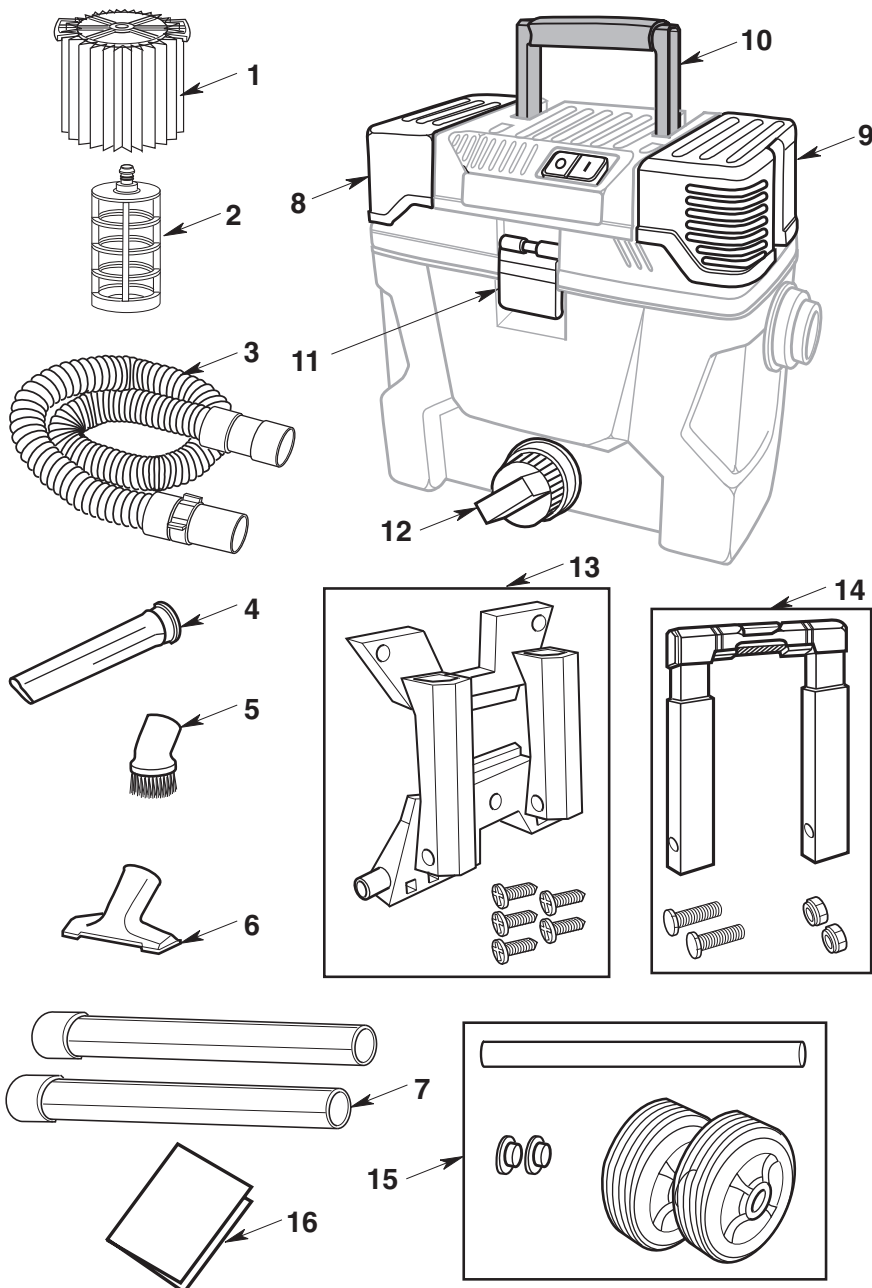
No. de clave	No. de pieza	Descripción
10	831096	Asa de transporte
11	826387	Pestillo del tambor
12	73185	Tapa del drenaje
13	510373	Soporte del asa con herrajes
14	510374	Asa de tracción colapsable con herrajes
15	510375	Ensamblaje de ruedas
16	SP6962	Manual del usuario

† Estas piezas de repuesto se encuentran disponibles en el establecimiento donde compró la aspiradora.

# Piezas de repuesto (continuación)

## Aspiradora para seco/mojado RIDGID PRO PACK PLUS Número de modelo 1000RVO

Las piezas RIDGID se encuentran disponibles en línea conectándose a [www.ridgidparts.com](http://www.ridgidparts.com)



# RIDGID®



- **Qué está cubierto**

Se garantiza que las aspiradoras para mojado/seco RIDGID® están libres de defectos de fabricación y de materiales.

- **Cuánto dura la cobertura**

Esta garantía dura toda la vida de las aspiradoras para mojado/seco RIDGID®.

- **Cómo puede obtener servicio**

Para obtener el beneficio de esta garantía, envíe el producto completo mediante transporte prepago a RIDGE TOOL COMPANY, Elyria, Ohio, o a cualquier CENTRO DE SERVICIO INDEPENDIENTE RIDGID®. Las llaves para tubos y otras herramientas de mano deben devolverse al establecimiento de compra.

- **Qué haremos para corregir los problemas**

Las aspiradoras para mojado/seco garantizadas serán reparadas o reemplazadas, a opción de Ridge Tool Company, y serán devueltas sin cargo; o si después de tres intentos de reparar o reemplazar la aspiradora para mojado/seco durante el período de garantía ésta aún presenta defectos, usted puede optar por recibir un reembolso completo de su precio de compra.

- **Qué no está cubierto**

Las averías debidas a uso incorrecto, abuso o desgaste por el uso normal no están cubiertas por esta garantía. **RIDGE TOOL NO SERÁ RESPONSABLE DE NINGÚN DAÑO FORTUITO NI EMERGENTE.**

- **Cómo se relaciona la ley local con la garantía**

Algunos estados no permiten la exclusión o limitación de los daños fortuitos o emergentes, por lo que es posible que la limitación o exclusión que antecede no tenga aplicación en su caso. Esta garantía le confiere a usted derechos específicos y es posible que también tenga otros derechos, que varían de un estado a otro, una provincia a otra o un país a otro.

- **Ninguna otra garantía expresa tiene aplicación**

Esta GARANTÍA COMPLETA DE POR VIDA es la garantía única y exclusiva de las aspiradoras para mojado/seco RIDGID®. Ningún empleado, agente, distribuidor u otra persona está autorizado a alterar esta garantía ni a dar ninguna otra garantía en nombre de Ridge Tool Company.

No. de catálogo 1000RV

No. de modelo 1000RVO

Número de serie \_\_\_\_\_

Los números de modelo y de serie se pueden encontrar en el cabezal del motor, cerca del orificio de soplado. Debe anotar tanto el número de modelo como el de serie en un lugar seguro para uso futuro.

**¿PREGUNTAS O COMENTARIOS? COMUNÍQUESE CON NOSOTROS EN**

**www.ridgidvac.com**

**1-800-4-RIDGID (1-800-474-3443) desde los EE.UU. y Canadá**  
**01-800-701-9811 desde México**

Por favor, tenga a mano su número de modelo y número de serie cuando llame.



**EMERSON™**

© 2015 Emerson

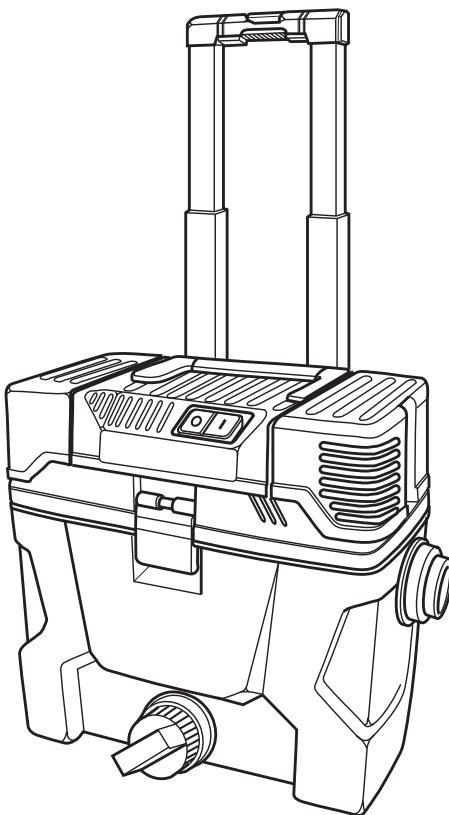
**Commercial & Residential Solutions**

**RIDGID**®

## MODE D'EMPLOI

ASPIRATEUR DE LIQUIDES  
ET DE POUSSIÈRES PRO PACK PLUS

### 1000RV0



EN CAS DE QUESTIONS OU POUR OBTENIR DES INFORMATIONS,  
VEUILLEZ NOUS CONTACTER AU :  
**1-800-4-RIDGID (1-800-474-3443) OU**  
[www.ridgidvac.com](http://www.ridgidvac.com)

#### **⚠ AVERTISSEMENT :**

Pour réduire le risque de blessure, l'utilisateur doit lire et comprendre le mode d'emploi avant d'utiliser ce produit.

Merci d'avoir acheté un produit RIDGID.

• Español - página 17

**CONSERVER CE MANUEL POUR RÉFÉRENCE FUTURE**

## Table des matières

Section	Page	Section	Page
Instructions importantes relatives à la sécurité	34	Entretien	44-45
Introduction	36	Nettoyage du filtre de l'aspirateur	44
Déballage et contrôle du contenu du carton		Retrait et installation du filtre	44
Liste du contenu de la boîte en carton	36	Nettoyage d'un filtre sec	44
Apprenez à connaître votre aspirateur	37	Nettoyage d'un filtre humide	44
Assemblage	38-39	Nettoyage et désinfection de l'aspirateur	
Rangement du cordon d'alimentation, du tuyau		de liquides et de poussières	45
et des accessoires	39-40	Entretien du cordon d'alimentation	45
Fonctionnement	40-43	Rangement	45
Aspiration de matériaux secs	41	Roues	45
Aspiration de liquides	41	Poignées	45
Vidage du tambour à poussière	42	Pièces de rechange	46-47
Insertion du tuyau	42	Réparation des aspirateurs de liquides et	
Transport de l'aspirateur de liquides et de poussières	43	de poussière à double isolation	46
Rangement du cordon d'alimentation	43	Garantie	48
Soufflerie	43		

## INSTRUCTIONS IMPORTANTES RELATIVES À LA SÉCURITÉ

La sécurité est une combinaison de faire preuve de bon sens, rester vigilant et savoir comment votre aspirateur de liquides et de poussières (l'« aspirateur ») fonctionne.

### Termes de signalisation de questions de sécurité

**▲ DANGER** : indique une situation dangereuse qui, si elle n'est pas évitée, causera la mort ou une blessure grave.

**▲ AVERTISSEMENT** : indique une situation dangereuse qui, si elle n'est pas évitée, risque de causer la mort ou une blessure grave.

**▲ MISE EN GARDE** : indique une situation dangereuse qui, si elle n'est pas évitée, pourrait causer une blessure légère ou modérée.

Prenez toujours des précautions élémentaires, notamment les précautions suivantes, lorsque vous utilisez votre aspirateur de liquides et de poussières :

### ▲ AVERTISSEMENT

– Pour réduire le risque d'incendie, de choc électrique ou de blessure :

- Lisez et comprenez ce manuel et toutes les étiquettes placées sur l'aspirateur avant de mettre celui-ci en marche.
- N'utilisez l'aspirateur que comme cela est décrit dans ce mode d'emploi.
- Ne laissez pas en marche pendant que vous êtes absent – vous vous risqueriez de manquer des signes importants indiquant un fonctionnement anormal, comme une perte de puissance d'aspiration, la sortie de débris ou de liquides par la bouche de soufflage d'air ou des bruits anormaux en provenance du moteur. Cessez immédiatement d'utiliser l'aspirateur si vous constatez de tels signes.
- Ne laissez pas l'aspirateur sans surveillance quand il est branché dans une prise de courant. Débranchez-le de la prise quand il n'est pas utilisé et avant toute opération de maintenance.
- Des étincelles à l'intérieur du moteur risquent de mettre feu à des vapeurs ou poussières inflammables.

Pour réduire le risque d'incendie ou d'explosion : n'utilisez pas à proximité de gaz ou de liquides inflammables ou combustibles, ou de poussières explosives, comme de l'essence automobile ou d'autres fiouls, de l'essence à briquet, des produits de nettoyage, de la peinture à l'huile, du gaz naturel, de la poussière de charbon, de la poussière de magnésium, de la poussière de céréales, de la poussière d'aluminium ou de la poudre.

- N'aspirez jamais de matières en train de brûler ou des matières fumigènes, telles que des cigarettes, des allumettes ou des cendres chaudes.
- N'aspirez jamais de poussières de plaques de plâtre, de suie ou de cendres de cheminée froides lorsqu'un filtre pour aspirateur de liquides et de poussières standard. Il s'agit de poussières très fines qui risqueraient d'être projetées à nouveau dans l'air ambiant. Utilisez un filtre à poussières fines à la place.
- Pour réduire le risque d'inhalation de vapeurs toxiques, n'aspirez pas de matériaux toxiques ou dangereux, et n'utilisez pas à proximité de tels matériaux.
- Pour réduire le risque de choc électrique, n'exposez pas à la pluie et empêchez l'entrée de liquides dans le compartiment du moteur. Rangez à l'intérieur.
- Cet aspirateur de liquides et de poussières n'est pas conçu pour emploi par des personnes (y compris des enfants) ayant des capacités physiques, sensorielles ou mentales réduites, ou qui n'ont pas l'expérience ou les connaissances nécessaires, sauf en cas de supervision ou d'instructions sur l'utilisation de cet appareil par une personne responsable de leur sécurité.
- Ne laissez pas les enfants se servir de l'aspirateur comme d'un jouet. Il faut surveiller de très près quand il est utilisé par des enfants ou à proximité d'enfants.
- N'utilisez pas avec un filtre déchiré ou sans avoir installé de filtre, sauf quand vous aspirez des liquides, comme cela est décrit dans ce mode d'emploi. Des débris secs capturés par la roue risquent d'endommager le moteur ou d'être expulsés à nouveau dans l'air ambiant.
- Éteignez l'aspirateur avant de le débrancher.

- Pour réduire le risque de blessure pouvant être causée par une mise en marche accidentelle, débranchez le cordon d'alimentation avant de changer le filtre ou de le nettoyer.
  - Ne débranchez pas en tirant sur le cordon. Pour débrancher, saisissez la fiche – pas le cordon.
  - N'utilisez pas l'aspirateur avec une fiche, un cordon ou un autre composant endommagé. Si votre aspirateur ne fonctionne pas comme il faut, s'il manque des pièces, s'il quelqu'un l'a laissé tomber, s'il est endommagé, s'il a été laissé à l'extérieur ou s'il est tombé dans de l'eau, téléphonez au service d'assistance à la clientèle.
  - Ne tirez pas l'aspirateur et ne le portez pas par son cordon, n'utilisez pas le cordon pour servir de poignée, ne fermez pas une porte sur le cordon et ne laissez pas le cordon tendu passer sur des bords ou des coins tranchants. Maintenez le cordon à distance des surfaces chauffées.
  - Ne touchez pas la fiche, l'interrupteur ou l'aspirateur avec des mains mouillées.
  - Utilisez seulement des cordons de rallonge qui sont conçus pour emploi à l'extérieur. Les cordons de rallonge en mauvais état ou trop petits en termes de calibre des fils peuvent poser des risques d'incendie et de choc électrique. Pour réduire le risque de tels dangers, inspectez les cordons pour vous assurer qu'ils sont en bon état et que le liquide n'entre pas en contact avec le raccordement. N'utilisez pas de cordons de rallonge dont les conducteurs ont un calibre inférieur à 16 AWG. Pour réduire la perte d'énergie, utilisez un cordon de rallonge de calibre 14 s'il mesure entre 7,5 et 15 mètres de long, ou de calibre 12 s'il mesure 15 mètres de long ou plus.
  - Cet aspirateur de liquides et de poussières a une double isolation, ce qui élimine le besoin d'un système de mise à la terre séparé. Utilisez seulement des pièces de rechange identiques. Lisez les instructions concernant l'entretien des aspirateurs de liquides et de poussières à double isolation avant toute opération d'entretien.
  - Ne mettez aucun objet dans les orifices de ventilation. N'aspirez pas quand de quelconques orifices de ventilation sont obstrués ; assurez-vous que ces orifices ne sont pas bloqués par de la poussière, de la peluche, des cheveux ou de quelconques objets pouvant réduire la circulation de l'air.
  - Gardez les cheveux, les vêtements flottants, les doigts et toutes les parties du corps à distance des orifices et des pièces mobiles.
  - Pour réduire le risque de chute, faites très attention lorsque vous utilisez l'aspirateur dans des escaliers.
  - Pour réduire le risque de blessure ou le risque d'endommagement de l'aspirateur, n'utilisez que des accessoires recommandés par Ridgid.
  - En cas d'utilisation de l'aspirateur comme soufflante :
    - Ne dirigez la décharge d'air que vers la zone de travail.
    - Ne dirigez pas l'air vers des personnes présentes à proximité.
  - Gardez les enfants à distance lors du fonctionnement de la soufflante.
  - N'utilisez la soufflante que pour souffler des saletés et des débris.
  - N'utilisez pas en guise de pulvérisateur.
- Pour réduire le risque de blessure pour les yeux, portez des lunettes de sécurité. L'utilisation de toute soufflante ou de tout aspirateur utilitaire peut toujours causer la projection de corps étrangers dans les yeux, ce qui risque d'entraîner des blessures graves aux yeux.
- Ne rangez ni gerbez pas des articles sur le dessus de l'aspirateur.

#### **▲ MISE EN GARDE :**

- Pour réduire le risque de perte auditive, portez des protecteurs d'oreilles lorsque vous vous servez de l'aspirateur pendant plusieurs heures ou quand vous l'utilisez dans un endroit bruyant.
- Portez un masque antipoussières en cas d'utilisation dans un environnement poussiéreux.
- Les décharges statiques sont fréquentes dans les endroits secs ou lorsque l'humidité relative de l'air ambiant est faible. L'aspiration de débris fins avec votre aspirateur peut déposer une charge statique sur le tuyau ou sur l'aspirateur. La meilleure chose à faire pour réduire la fréquence des décharges statiques chez vous ou lorsque vous utilisez cet aspirateur consiste à ajouter de l'humidité dans l'air avec un humidificateur.

Observez les avertissements suivants qui figurent sur le carter du moteur de votre aspirateur :

**□ DOUBLEMENT ISOLÉ.**  
MISE À LA TERRE NON NÉCESSAIRE.  
POUR L'ENTRETIEN, N'UTILISEZ QUE DES PIÈCES DE RECHANGE IDENTIQUES L'ENTRETIEN.

**▲ AVERTISSEMENT : ne pas exposer à la pluie pour réduire le risque de choc électrique – conserver à l'intérieur.**

**▲ AVERTISSEMENT : Limite de poids – 50 lb (22,5 kg). Ne montez pas sur l'aspirateur et ne vous asseyez pas dessus. Une utilisation inappropriée de cet appareil risquerait de causer des blessures.**

**▲ AVERTISSEMENT : pour réduire le risque d'incendie, ne rangez pas d'éléments étrangers dans ce compartiment. Vous ne devez y ranger que les accessoires de l'aspirateur.**

**▲ AVERTISSEMENT : pour votre propre sécurité, lisez et comprenez le manuel de l'opérateur. Ne laissez jamais l'aspirateur en marche sans surveillance. Ne ramassez pas de cendres chaudes, de charbon ou de matières toxiques, inflammables ou dangereuses. N'utilisez pas à proximité de vapeurs ou de liquides explosifs.**

## CONSERVER CE MANUEL

## Introduction

Cet aspirateur de liquides et de poussières PRO PACK est conçu pour emploi résidentiel seulement. Il peut être utilisé pour aspirer des matières humides ou sèches, et il peut être utilisé comme soufflante.

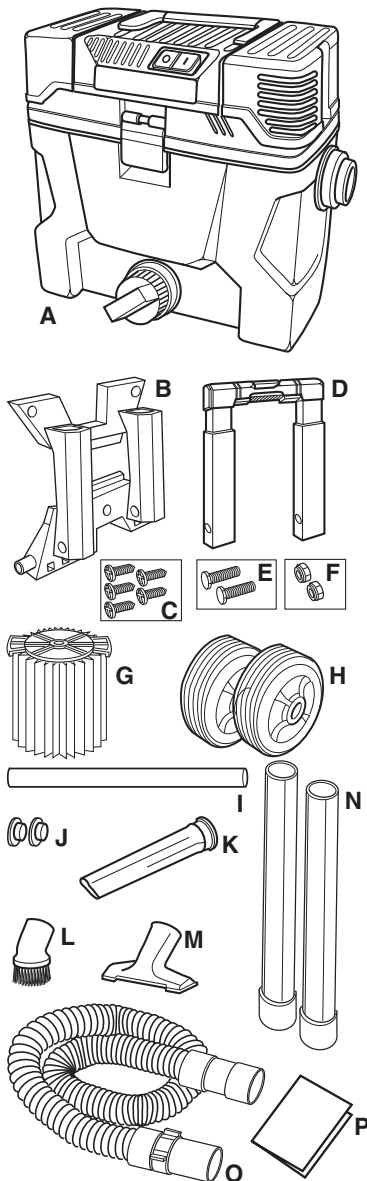
Lisez ce mode d'emploi pour vous familiariser avec les fonctions du produit et pour comprendre les particularités d'utilisation de votre nouvel aspirateur.

## Déballage et contrôle du contenu du carton

Retirez tous les éléments se trouvant dans la boîte en carton. Inspectez chaque élément en le comparant à la liste incluse dans la boîte en carton. Téléphonnez au 1-800-4-RIDGID (1-800-474-3443) depuis les États-Unis et le Canada, 01-800-701-9811 depuis le Mexique, ou envoyez-nous un courriel à [info@ridgid.com](mailto:info@ridgid.com) si de quelconques composants sont endommagés ou manquants.

### Liste du contenu de la boîte en carton

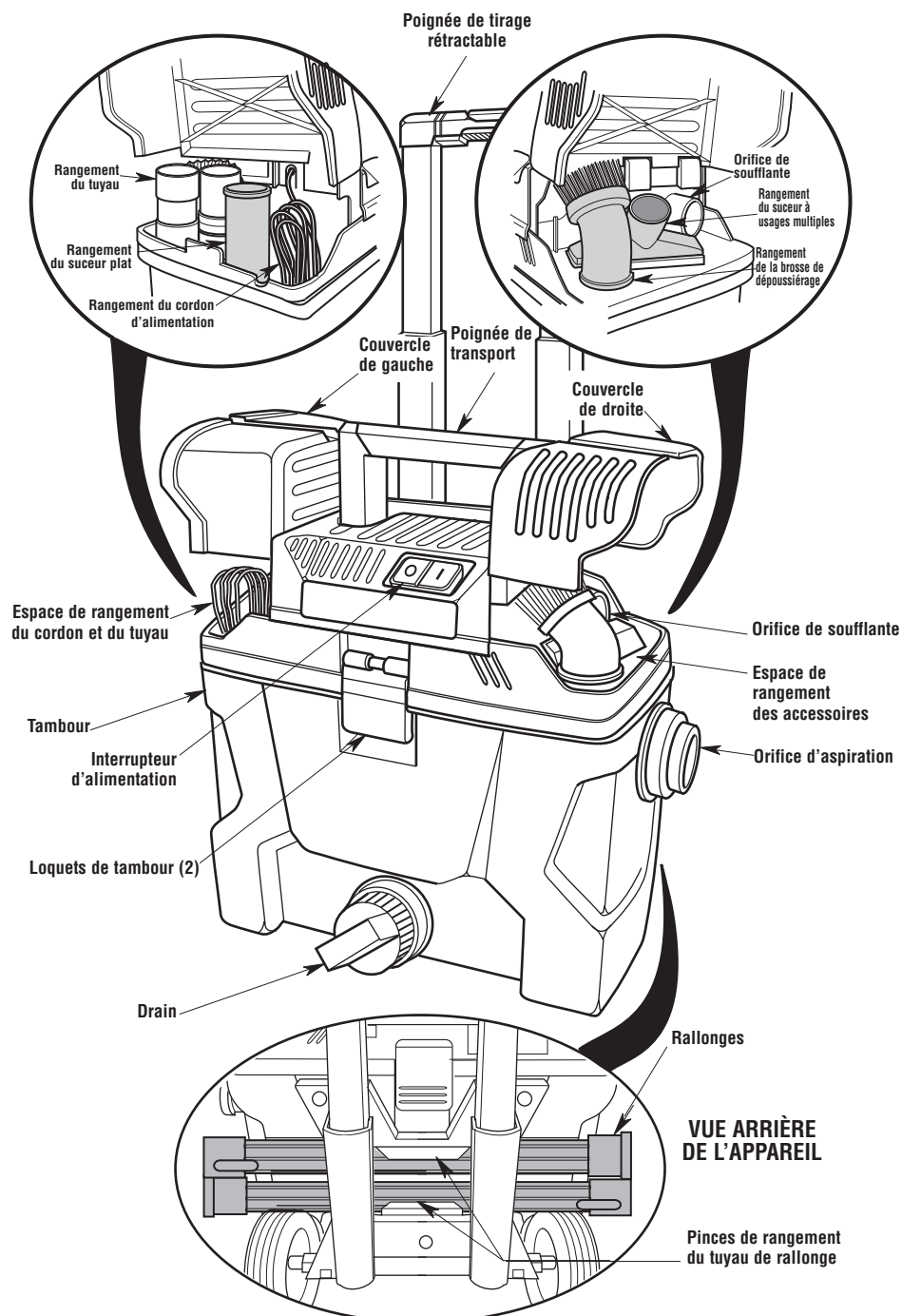
Légende	Description	Qté
A	Aspirateur PRO PACK PLUS.....	1
B	Support de poignée.....	1
C	Petit matériel de fixation du support de poignée .....	5
D	Poignée de tirage rétractable.....	1
E	Boulons de la poignée.....	2
F	Contre-écrous de la poignée .....	2
G	Filtre à cartouche .....	1
H	Roues arrière .....	2
I	Essieu.....	1
J	Écrous borgnes.....	2
K	Suceur plat.....	1
L	Brosse de dépoussiérage .....	1
M	Suceur à usages multiples .....	1
N	Rallonges .....	2
O	Tuyau super flexible .....	1
P	Mode d'emploi .....	1





# Apprenez à connaître votre aspirateur

Familiarisez-vous avec les commandes et les fonctions de votre aspirateur avant de le faire fonctionner.

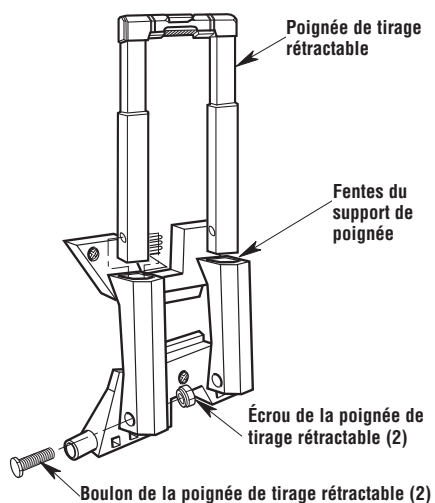


## Assemblage

### Installation de la poignée de tirage rétractable dans le support de poignée

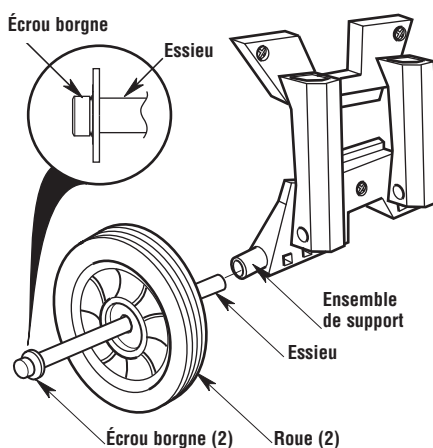
1. Faites glisser la poignée de tirage rétractable dans les fentes du support de poignée.
2. Après avoir aligné les trous du fond de la poignée de tirage rétractable et les trous du support de poignée, enflez le boulon de la poignée à travers le trou et assujettissez-le avec l'écrou de fixation de la poignée.
3. Installez le deuxième boulon et le deuxième écrou, et serrez les deux écrous pour qu'ils soient juste assez sécurisés.

**REMARQUE :** Ne serrez pas excessivement les écrous de fixation de la poignée étant donné que vous risqueriez de déformer ou d'endommager le support de poignée ou la poignée de tirage rétractable.



### Installation des roues et de l'essieu

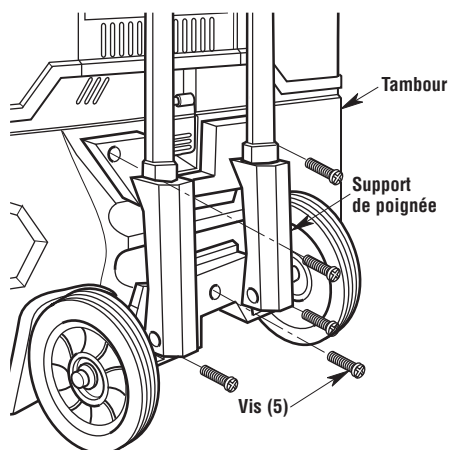
1. Localisez l'essieu, deux roues et deux écrous borgnes.
2. Installation des écrous borgnes :
  - a. Placez un écrou borgne sur une extrémité de l'essieu.
  - b. Tapotez doucement sur l'écrou borgne avec un marteau jusqu'à ce que l'écrou soit complètement installé sur l'essieu.
  - c. Placez une roue sur l'essieu et faites-la glisser contre l'écrou borgne qui vient d'être installé (la partie lisse de la roue étant orientée vers l'extérieur).
3. Faites glisser l'extrémité ouverte de l'essieu à travers l'ensemble de support de poignée comme illustré. Il peut être nécessaire de tapoter légèrement avec un maillet en caoutchouc pour mettre totalement l'essieu en place.
4. Installez la deuxième roue sur l'autre extrémité de l'essieu (la partie lisse de la roue étant orientée vers l'extérieur).
5. Installez le deuxième écrou borgne. Tapotez doucement sur l'écrou borgne pour l'installer sur l'essieu jusqu'à ce qu'il soit fermement en place.



## Assemblage (suite)

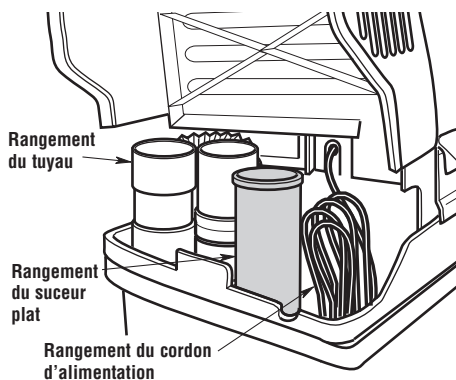
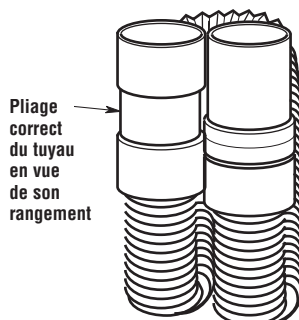
### Installation du support de poignée sur le tambour

1. Alignez l'ensemble de support de poignée sur l'arrière de l'ensemble de tambour à poussière comme illustré.
2. Installez 5 vis (fournies) à travers les trous correspondants à l'arrière de l'ensemble de support de poignée sur le tambour à poussière.
3. Serrez les vis jusqu'à ce qu'elles soient juste assez sécurisées. Ne serrez pas excessivement étant donné que vous risqueriez de déformer ou d'endommager l'ensemble de support de poignée ou l'ensemble de tambour.



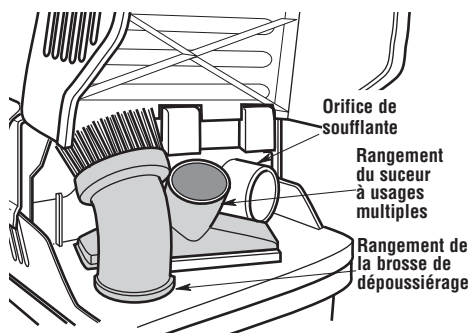
## Rangement du cordon d'alimentation, du tuyau et des accessoires

1. Votre aspirateur est muni d'emplacements pratiques pour ranger le cordon d'alimentation, le tuyau et les accessoires.
2. Sous le couvercle de gauche de votre aspirateur de liquides et de poussières (tel qu'illustré) se trouve un espace de rangement destiné à recevoir le tuyau super flexible, le suceur plat et le cordon d'alimentation. Pour faciliter son rangement, le tuyau doit être plié tel que cela est illustré et placé dans le compartiment de rangement le plus à gauche possible. Vous remarquerez également une forme rectangulaire au fond de ce compartiment. Le suceur plat pourra facilement être placé debout dans ce rectangle, son extrémité effilée étant orientée vers le bas. De plus, le cordon d'alimentation pourra également être placé dans le compartiment, le plus à droite possible. Pliez ou enroulez le cordon en sections d'environ 30 cm jusqu'à ce que vous arriviez à 30 cm du compartiment. Le cordon enroulé devrait maintenant pouvoir être facilement rangé dans le compartiment.

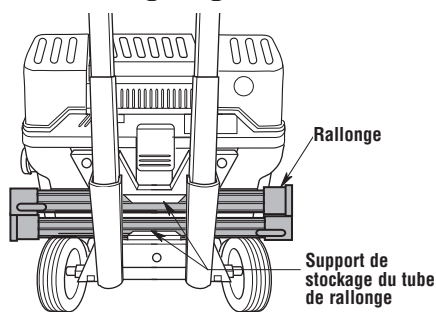


## Rangement du cordon d'alimentation, du tuyau et des accessoires (suite)

3. Sous le couvercle de droite de votre aspirateur de liquides et de poussières (tel qu'illustré) se trouve un espace de rangement destiné à recevoir la brosse de dépoussiérage et le suceur à usages multiples. Chacun de ces éléments a un emplacement moulé dans le fond du compartiment qui lui est réservé, et eux seuls doivent être rangés à cet endroit. L'orifice de soufflante se trouve également dans le même compartiment. Veuillez vous reporter à la section relative à la soufflante pour apprendre comment vous en servir.



4. Pour ranger les rallonges, insérez chaque rallonge dans les colliers de fixation prévus à cet effet à l'arrière de l'appareil.



## Fonctionnement

### ⚠ AVERTISSEMENT : pour réduire le risque d'incendie, d'explosion ou d'endommagement de l'aspirateur :

- Ne laissez pas en marche pendant que vous êtes absent – vous vous risqueriez de manquer des signes importants indiquant un fonctionnement anormal, comme une perte de puissance d'aspiration, la sortie de débris ou de liquides par la bouche de soufflage d'air ou des bruits anormaux en provenance du moteur. Cessez immédiatement d'utiliser l'aspirateur si vous constatez de tels signes.
- Ne laissez pas l'aspirateur branché lorsque vous ne l'utilisez pas.
- Ne continuez pas à utiliser l'aspirateur lorsque le flotteur a coupé l'aspiration.
- Les étincelles à l'intérieur du moteur risqueraient de mettre feu à des matières inflammables en suspension dans l'air. Ne pas utiliser l'aspirateur à proximité de liquides inflammables ou à des endroits où il y a des gaz ou des vapeurs inflammables, ou de la poussière explosive/dans l'air. Les liquides, gaz et vapeurs inflammables comprennent : essence à briquet, produits de nettoyage du type solvant, peinture à base d'huile, essence, alcool et aérosols. Types de poussières explosives : charbon, magnésium, aluminium, céréales et poudre noire.
- N'aspirez pas de poussières explosives, de liquides inflammables ou de cendres chaudes.

### ⚠ AVERTISSEMENT : pour réduire le risque de choc électrique ou de blessure :

- N'exposez pas à la pluie, et ne laissez pas de liquides pénétrer dans le compartiment du moteur. Rangez à l'intérieur.
- Ne touchez pas la fiche de branchement, l'interrupteur ou l'aspirateur si vous avez les mains mouillées.
- Débrancher l'aspirateur avant d'effectuer une quelconque opération de maintenance. Si votre aspirateur ne fonctionne pas comme il devrait, si des pièces sont manquantes, si vous l'avez laissé tomber, s'il est endommagé, s'il a été laissé à l'extérieur ou s'il a été immergé dans de l'eau, rappelez-le dans un centre de réparation indépendant ou téléphonez au service d'assistance à la clientèle.
- Lorsque vous utilisez un cordon de rallonge, n'utilisez qu'un cordon prévu pour emploi à l'extérieur et en bon état. Ne laissez pas la connexion entrer en contact avec des liquides.

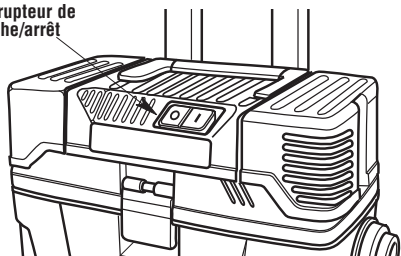
## Fonctionnement (suite)

Pour réduire le risque de choc électrique, cet appareil est muni d'une fiche polarisée (une lame est plus large que l'autre). La fiche n'entrera dans une prise polarisée que d'une seule manière. Inverser la fiche si elle n'entre pas complètement dans la prise. Si elle n'entre toujours pas, prendre contact avec un électricien qualifié pour installer une prise de courant appropriée. Ne pas altérer la fiche de quelque manière que ce soit.

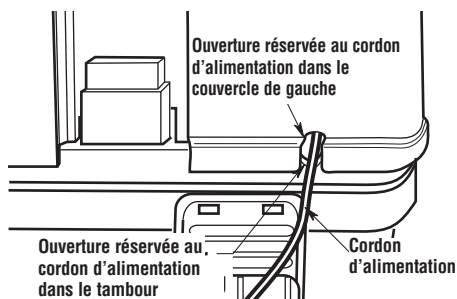
Après avoir branché le cordon d'alimentation dans la prise de courant, mettez l'appareil sous tension en appuyant sur l'interrupteur pour le faire passer de la position « 0 » à la position « I ». Les deux symboles internationaux qui figurent sur l'interrupteur indiquent, respectivement, la position de marche et la position d'arrêt de votre aspirateur.

○ = ARRÊT | = MARCHE

Interrupteur de marche/arrêt



Quand vous faites fonctionner votre aspirateur, les couvercles des compartiments de rangement étant fermés, veillez à ce que le cordon d'alimentation soit placé dans l'ouverture du couvercle réservée à cet effet.



**REMARQUE :** quand l'appareil fonctionne en mode d'aspiration, le couvercle de rangement des accessoires peut servir de diffuseur d'air simplement en étant fermé.

Il faut bien se familiariser avec les accessoires qui ont été inclus avec cet aspirateur. Chaque accessoire peut être utilisé de façons multiples pour l'aspiration ou le soufflage de débris. Voici une liste des accessoires et des divers moyens de les utiliser :

**Brosse de dépoussiérage** – Sert à nettoyer des surfaces couvertes de poussières ou débris fins. Idéal pour un nettoyage détaillé.

**Suceur plat** – Sert à ramasser les débris dans les endroits difficiles à atteindre.

**Suceur à usages multiples** – Un suceur polyvalent utile à la plupart des activités d'aspiration.

**Tuyau** – Sert de conduit pour l'air, soit aspiré soit soufflé, sur le site que vous devez nettoyer. Constitue un moyen d'attacher des accessoires. Le tuyau comprend une soupape de dépression pour réduire la traction quand l'orifice d'entrée est bloqué.

### Aspiration de matériaux secs

1. Le filtre doit toujours être dans la position correcte afin d'éviter les fuites et l'endommagement possible de l'aspirateur.
2. Lors de l'utilisation de l'aspirateur pour ramasser des poussières très fines, il sera nécessaire de vider le tambour et de nettoyer le filtre à intervalles plus fréquents afin de continuer à bénéficier de la performance maximale de l'aspirateur.

**REMARQUE :** un filtre sec est nécessaire pour ramasser des matériaux secs. Si l'aspirateur est employé pour ramasser de la poussière alors que le filtre est humide, le filtre se bouchera très vite et il sera ensuite très difficile à nettoyer.

### Aspiration de liquides

1. Lorsque vous aspirez de faibles volumes de liquides (de 2 à 4 po de liquide au fond du tambour), il n'est pas nécessaire de retirer le filtre.
2. Lorsque vous aspirez de grands volumes de liquides (plus de 4 po de liquide au fond du tambour), il est recommandé de retirer le filtre. Si le filtre n'est pas retiré, il se saturera et de la buée apparaîtra dans l'échappement.
3. Lorsque le liquide aspiré atteint un niveau prédéterminé dans le tambour, le flotteur s'élèvera automatiquement afin de couper la circulation de l'air. Lorsque ceci se produit, fermer l'aspirateur, débrancher le cordon

## Fonctionnement (suite)

**⚠ AVERTISSEMENT : ne faites pas fonctionner sans la cage du filtre et le flotteur étant donné qu'ils empêchent l'entrée de liquide dans la roue et protègent ainsi le moteur contre les dommages pouvant en résulter.**

électrique et vider le tambour. L'élévation du niveau du flotteur se remarque parce qu'elle correspond à l'arrêt de la circulation de l'air à l'intérieur de l'aspirateur et parce que le bruit du moteur devient alors plus aigu en raison de l'accélération de sa vitesse.

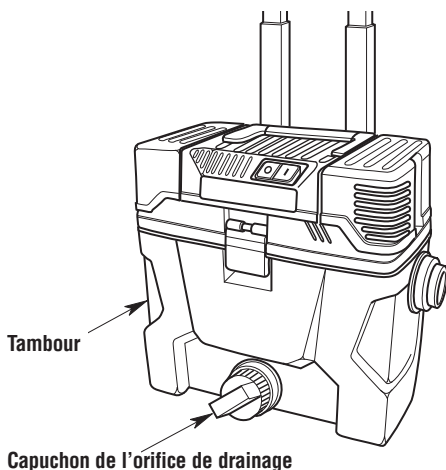
- Après que l'aspirateur aura été utilisé pour aspirer des liquides, il faudra sécher le filtre pour réduire le risque de la formation possible de moisissures et pour ne pas endommager le filtre.

**IMPORTANT :** pour réduire le risque d'endommager l'aspirateur, il ne faut pas faire fonctionner le moteur pendant que le flotteur est en position élevée.

### Vidage du tambour à poussière

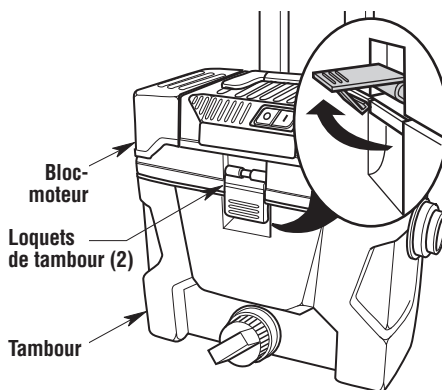
**⚠ AVERTISSEMENT :** pour réduire le risque de blessure en raison d'une mise en marche accidentelle, débrancher le cordon électrique avant de vider le tambour.

- Cet aspirateur est équipé d'un drain permettant d'évacuer facilement les liquides. Dévissez simplement le capuchon de l'orifice de drainage et inclinez-le légèrement vers l'avant pour vider le tambour.
- Une autre option possible est de retirer le bloc-moteur pour vider le contenu du tambour à



poussière. Soulevez simplement les deux verrous de fixation du tambour à l'avant et à l'arrière de l'aspirateur, et soulevez le bloc-moteur pour pouvoir le détacher du tambour à poussière, puis mettez-le de côté.

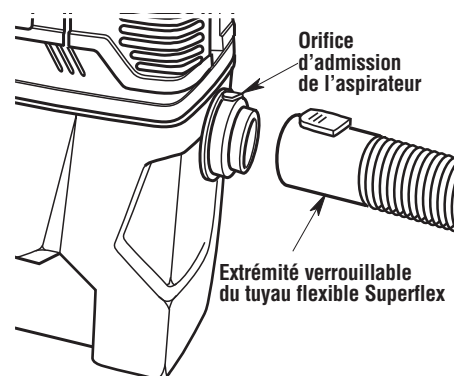
- Laissez l'ensemble moteur en position verticale sur une surface propre et sèche pendant que vous videz le tambour.
- Verser le contenu du tambour dans un récipient à ordures approprié.



### Insertion du tuyau

Insérez l'extrémité bouton poussoir du tuyau flexible Superflex dans l'orifice d'admission de l'aspirateur, qui se trouve sur le côté de l'aspirateur. Le tuyau devrait se mettre en place avec un bruit sec.

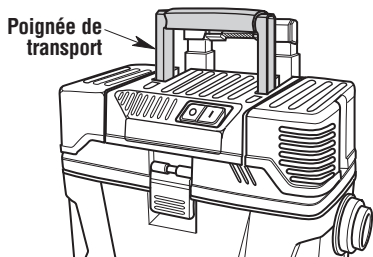
Pour retirer le tuyau de l'aspirateur, appuyez sur le bouton de déclenchement sur le tuyau et tirez sur le tuyau jusqu'à ce qu'il sorte de l'orifice d'aspiration de l'appareil, tel que cela est illustré.



## Fonctionnement (suite)

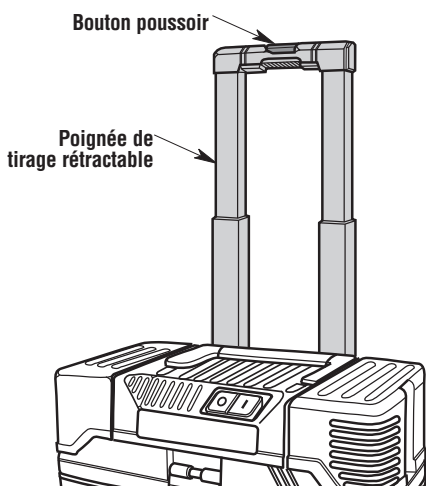
### Transport de l'aspirateur de liquides et de poussières

S'il est nécessaire de soulever l'aspirateur pour le déplacer, la poignée de transport en haut de l'aspirateur de liquides et de poussières peut être utilisée pour le soulever.



Il faut utiliser la poignée de tirage rétractable pour manœuvrer l'aspirateur. Comprimez simplement le bouton poussoir, qui est situé sur le dessus de la poignée de tirage rétractable, et tirez doucement jusqu'au moment où vous aurez levé la poignée au maximum. Vous entendrez un déclic lorsque la poignée sera dans la position verrouillée.

**REMARQUE :** Ne soulevez pas ou ne transportez pas l'aspirateur par la poignée de tirage rétractable.

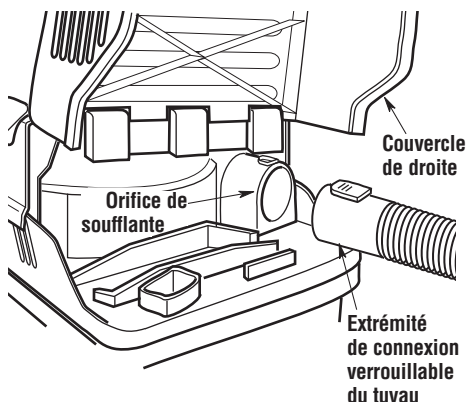


### Rangement du cordon

Une fois que vous aurez terminé votre travail d'aspiration, débranchez le cordon et enroulez-le de la façon qui est décrite dans la section de la page 39 intitulée « Rangement du cordon d'alimentation, du tuyau et des accessoires ».

### Soufflerie

Votre aspirateur de liquides et de poussières peut servir de soufflante pour chasser les feuilles dans votre jardin, nettoyer votre patio et chasser la sciure et d'autres débris dans votre atelier. Soulevez le couvercle de droite et installez l'extrémité de connexion verrouillable du tuyau sur l'orifice de soufflante.



**⚠ AVERTISSEMENT :** il faut toujours porter des lunettes de protection conformes à la norme ANSI Z87.1 (ou, au Canada, ACNOR Z94.3) avant de se servir de l'aspirateur comme une soufflerie.

**⚠ AVERTISSEMENT :** pour ne pas risquer de causer des blessures à d'autres personnes, il est recommandé de leur demander de rester à distance suffisante des débris soufflés.

**⚠ MISE EN GARDE :** portez un masque anti-poussière si votre soufflage crée de la poussière qui pourrait être aspirée.

**⚠ MISE EN GARDE :** pour réduire le risque d'endommagement de l'ouïe, portez des protecteurs d'oreilles quand vous utilisez l'aspirateur/la soufflante pendant de longues périodes ou quand vous l'utilisez dans un environnement bruyant.



## Entretien

### Nettoyage du filtre de l'aspirateur

**⚠ AVERTISSEMENT :** pour réduire le risque de blessure en raison d'une mise en marche accidentelle, débrancher le cordon électrique avant de remplacer le filtre ou de le nettoyer.

Sécher toujours le filtre avant de le ranger ou de ramasser des débris secs.

### Retrait et installation du filtre

#### Retrait du filtre :

1. Saisissez les deux languettes du filtre Qwik Lock™, une dans chaque main.
2. Placez un pouce sur le goujon Qwik Lock™, qui dépasse de la plaque de filtre intégrée, tirez sur les languettes du filtre et appuyez en même temps sur le goujon.
3. Cette action aura pour effet que le filtre sera relâché de la cage du filtre. Faites glisser le filtre pour le sortir de la cage.

#### Installation du filtre :

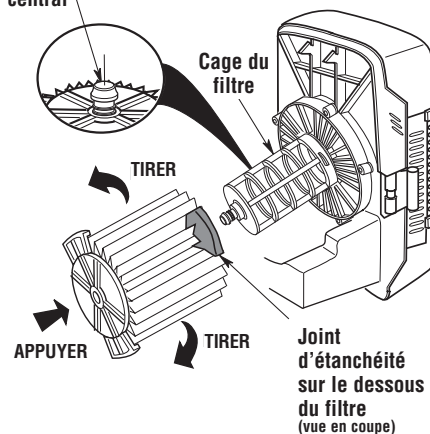
1. Faites glisser délicatement le filtre Qwik Lock™ au-dessus de la cage du filtre et appuyez sur le bord extérieur du filtre jusqu'à ce que le joint d'étanchéité en caoutchouc en bas du filtre repose de façon sécurisée autour de la base de la cage du filtre et contre le couvercle.
2. Alignez le petit trou central sur le dessus du filtre au-dessus du goujon Qwik Lock™ sur la cage du filtre. Appuyez fermement sur le dessus du filtre, à proximité du goujon, pour permettre au filtre de s'emboîter sur l'embout sphérique du goujon. Le filtre est maintenant installé.

**REMARQUE :** si vous n'installez pas correctement le joint d'étanchéité du dessous, il est possible que des débris passent à côté du filtre.

**REMARQUE :** le filtre est fait de papier de qualité élevée conçu pour intercepter les très petites particules de poussière. Le filtre peut être utilisé pour l'aspiration de faibles volumes de liquides ou pour l'aspiration de poussières. Manipuler le filtre avec précaution lors de son nettoyage ou de son installation. Les plis du filtre peuvent être froissés pendant l'installation, mais cela n'aura aucune influence sur la performance du filtre.

**IMPORTANT :** pour éviter d'endommager le moteur et la roue de la soufflerie, toujours réinstaller le filtre avant d'utiliser l'aspirateur pour ramasser des matériaux secs.

Plaque de filtre  
intégrée avec trou  
central



### Nettoyage d'un filtre sec

**REMARQUE :** pour obtenir les meilleurs résultats lors du nettoyage après l'accumulation de poussière, nettoyer le filtre dans un endroit non clos. Le nettoyage DOIT être effectué à l'extérieur – pas dans des locaux d'habitation.

1. Retirer le filtre de l'aspirateur. Tapoter doucement le filtre contre la paroi intérieure du tambour à poussière. Les débris se détacheront et tomberont.
2. Pour un nettoyage complet d'un filtre sec couvert de particules fines (pas de débris), il est conseillé de placer le filtre sous un robinet comme indiqué à la rubrique « Nettoyage d'un filtre humide ».

### Nettoyage d'un filtre humide

Une fois le filtre retiré, faites couler de l'eau au travers du filtre à l'aide d'un tuyau d'arrosage ou d'un robinet. Veillez à ce que la pression de l'eau sortant du tuyau d'arrosage ne soit pas si forte qu'elle pourrait endommager le filtre.

**IMPORTANT :** inspecter le filtre après le nettoyage pour s'assurer qu'il n'est pas déchiré ou troué. Ne pas utiliser un filtre déchiré ou troué. Même un petit trou peut permettre à beaucoup de poussière de sortir de l'aspirateur. **Remplacez votre filtre immédiatement** s'il est endommagé ou usé.

Laisser sécher le filtre avant de le réinstaller et de ranger l'aspirateur.

## Entretien (suite)

### Nettoyage et désinfection de l'aspirateur de liquides et de poussières

Pour conserver l'esthétique optimale de votre aspirateur de poussières et de liquides, nettoyez la surface extérieure de l'aspirateur à l'aide d'un chiffon imbibé d'eau tiède savonneuse.

Procédure de nettoyage du tambour :

1. Vider les débris.
2. Nettoyez soigneusement le tambour à poussière à l'aide d'un savon doux et d'eau tiède.
3. Essuyer avec un chiffon sec.

Avant de ranger l'aspirateur pour une période prolongée, ou dans les cas nécessaires (par exemple après l'aspiration d'eaux usées), vous devez désinfecter le tambour.

Pour désinfecter le tambour :

1. Versez un gallon (presque 4 litres) d'eau et une cuillerée à thé de produit à blanchir à l'eau de javel dans le tambour.
2. Laissez la solution agir pendant 20 minutes, en remuant doucement de temps à autre pour vous assurer que toutes les surfaces du tambour restent humides.
3. Videz le tambour au bout de 20 minutes. Rincez à l'eau jusqu'à ce que l'odeur d'eau de javel ait disparu. Laissez sécher le tambour complètement avant de sceller le moteur sur le tambour.

### Entretien du cordon d'alimentation

Lorsque vous aurez fini de passer l'aspirateur, débranchez le cordon et rangez-le correctement sous le cache de gauche (voir la section « Rangement des cordons, tuyaux et accessoires » à la page 39). Si le cordon est endommagé, il doit être remplacé par le fabricant ou son représentant, ou par une autre personne ayant les compétences techniques nécessaires, afin de réduire le risque d'accident.

### Rangement

Avant de ranger votre aspirateur, vous devez vider et nettoyer le tambour à poussières. Le cordon doit être rangé correctement à l'intérieur de l'appareil et le tuyau doit être rangé conformément à ce qui est décrit dans ce manuel. Vous devez garder les accessoires au même endroit que l'aspirateur de façon à pouvoir y accéder facilement. Vous devez ranger l'aspirateur à l'intérieur d'un bâtiment.

### Roues

Si vos roues grincent ou sont difficiles à faire avancer, versez deux ou trois gouttes d'huile de graissage universelle sur chaque roue au niveau de l'essieu.

### Poignées

Il faut enlever les liquides et débris corrosifs en les essuyant avec un chiffon doux s'ils entrent en contact avec les poignées.

**⚠ AVERTISSEMENT : Pour assurer la SÉCURITÉ et la FIABILITÉ des produits, toutes les autres opérations d'entretien, de réparation et de réglage doivent être effectuées par des centres de service après-vente agréés, en utilisant toujours des pièces de rechange RIDGID.**

# Pièces de rechange


## Aspirateur de liquides et de poussières RIDGID PRO PACK PLUS Modèle N° 100RVO

Les pièces RIDGID sont disponibles sur notre site Web à l'adresse suivante : [www.ridgidparts.com](http://www.ridgidparts.com)

Pour commander, utiliser toujours le numéro de pièce – pas le numéro de légende

### ▲ AVERTISSEMENT

#### RÉPARATION DE L'ASPIRATEUR DE LIQUIDES ET DE POUSSIÈRES DOUBLEMENT ISOLÉ

Dans un aspirateur de liquides et de poussières doublement isolé, deux systèmes d'isolation sont fournis au lieu de la mise à la terre. Aucun moyen de mise à la terre n'est prévu sur un appareil électroménager doublement isolé, et il ne faut pas en ajouter. La réparation d'un aspirateur de liquides et de poussières doublement isolé nécessite une connaissance approfondie du système et la prise de précautions extrêmes. Une telle réparation ne doit être entreprise que par un technicien agréé. Les pièces de rechange pour un aspirateur de liquides et de poussières doublement isolé doivent être les mêmes que les pièces qu'elles remplacent. Les mots « DOUBLE INSULATED » (Doublement isolé) figurent sur l'aspirateur de liquides et de poussières doublement isolé, et le symbole  (un carré à l'intérieur d'un autre carré) peut également figurer sur les appareils.

Pour réduire le risque de blessures causées par les chocs électriques, débranchez le cordon d'alimentation avant de réparer les éléments électriques de l'aspirateur de liquides et de poussières.

N° Légende	Pièce N°	Description
1	VF5000	† Filtre de poussières fines
2	509617	Ensemble de la cage du filtre
3	831327	Ensemble de tuyau
4	VT1702	† Suceur
5	VT1701	† Brosse de dé poussiérage
6	VT1709	† Suceur à usages multiples
7	VT1708	† Rallonge
8	831094	Couvercle de gauche
9	831095	Couvercle de droite

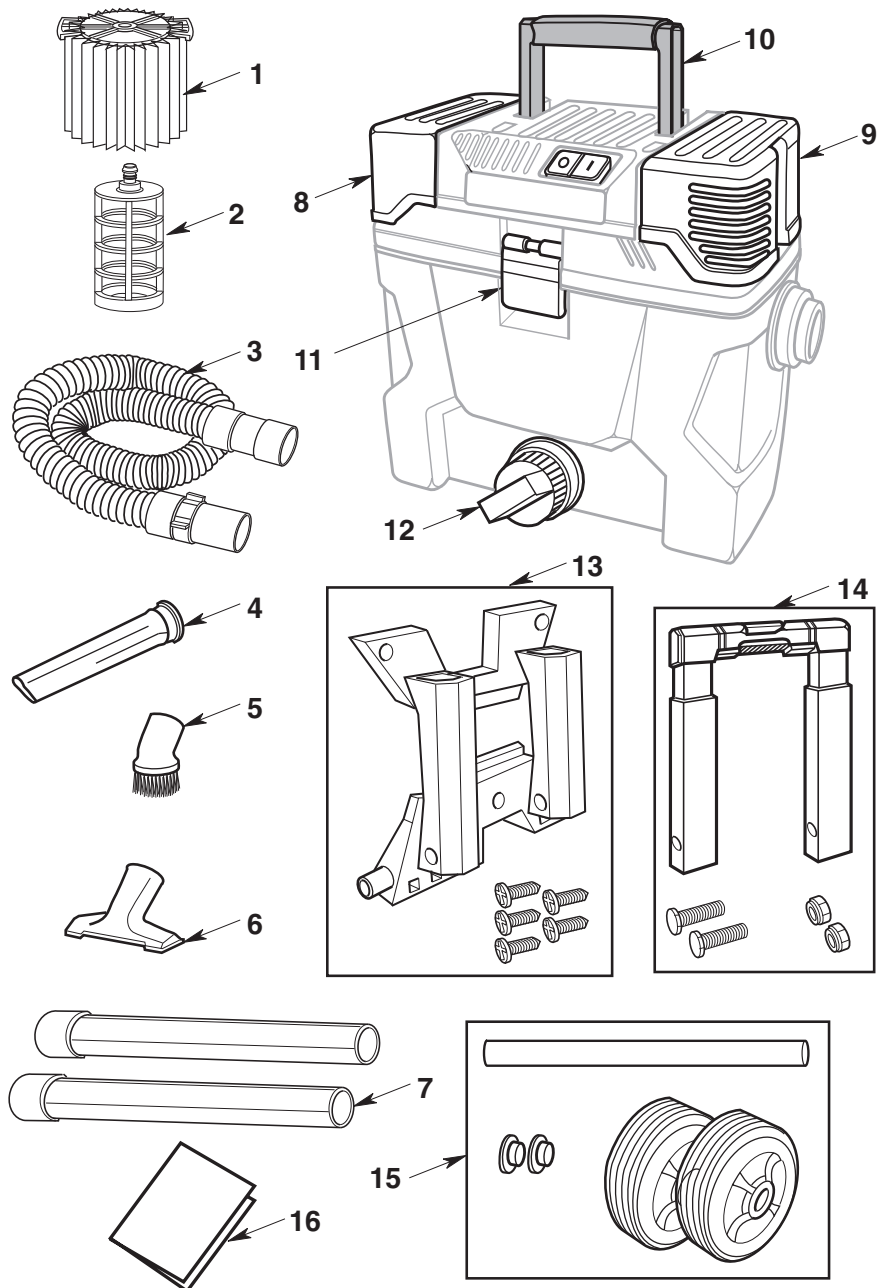
N° Légende	Pièce N°	Description
10	831096	Poignée de transport
11	826387	Verrou du tambour
12	73185	Capuchon de l'orifice de drainage
13	510373	Support de poignée avec petit matériel de fixation
14	510374	Poignée de tirage rétractable avec petit matériel de fixation
15	510375	Ensemble de roue
16	SP6962	Mode d'emploi

† Ces pièces de rechange sont en vente partout où des aspirateurs de liquides et de poussières sont en vente.

# Pièces de rechange (suite)

## Aspirateur de liquides et de poussières RIDGID PRO PACK PLUS Modèle N° 1000RVO

Les pièces RIDGID sont disponibles sur notre site Web à l'adresse suivante : [www.ridgidparts.com](http://www.ridgidparts.com)



# RIDGID®



- **Ce qui est couvert par la garantie**

Les aspirateurs de liquides et de poussières RIDGID® sont garantis sans défauts de matériel ou de façon.

- **Durée de la garantie**

Cette garantie est valable pendant toute la durée de vie de l'aspirateur de liquides et de poussières RIDGID®.

- **Le service après-vente**

Pour tirer parti de cette garantie, le produit complet doit être renvoyé en port payé à RIDGE TOOL COMPANY, Elyria, Ohio ou bien à un quelconque CENTRE DE SERVICE APRÈS-VENTE RIDGID® AGRÉÉ. Les clés à tube et autres outils à main devront être renvoyés au point de vente où ils ont été achetés.

- **Les mesures de rectification des problèmes**

Les aspirateurs de liquides et de poussières sous garantie seront réparés ou remplacés, au choix de Ridge Tool Company, et ils vous seront renvoyés gratuitement; ou, si au bout de trois tentatives de réparation ou de remplacement pendant la période de garantie, l'aspirateur de liquides et de poussières est toujours défectueux, vous pourrez demander à obtenir un remboursement intégral de votre prix d'achat.

- **Ce qui n'est pas couvert par la garantie**

Les défaillances causées par une utilisation abusive ou non conforme aux instructions, ou par l'usure ordinaire, ne sont pas couvertes par cette garantie. **RIDGE TOOL COMPANY N'EST RESPONSABLE D'AUCUN DOMMAGE SECONDAIRE OU INDIRECT.**

- **Effet des lois locales sur cette garantie**

Au Canada, certaines provinces ne permettent peut-être pas l'exclusion ou la limitation des dommages secondaires ou indirects; par conséquent, il est possible que l'exclusion ou la limitation susmentionnée ne s'applique pas à vous. Cette garantie vous confère des droits contractuels spécifiques, et vous disposez peut-être d'autres droits qui peuvent varier d'une province à l'autre.

- **Aucune autre garantie expresse ne s'applique**

La présente GARANTIE À VIE COMPLÈTE est la garantie unique et exclusive concernant les produits RIDGID®. Aucun salarié, agent, distributeur ou autre n'est autorisé à modifier cette garantie ou à offrir une quelconque autre garantie de la part de Ridge Tool Company.

**N° de catalogue 1000RV**

**N° de modèle 1000RVO**

**Numéro de série** \_\_\_\_\_

Les numéros de modèle et de série sont indiqués sur le bloc-moteur, près de l'orifice de soufflerie. Il est recommandé d'inscrire ces deux numéros en lieu sûr pour future référence.

**QUESTIONS OU COMMENTAIRES ? TÉLÉPHONER AU**

**1-800-4-RIDGID (1-800-474-3443)**

**www.ridgidvac.com**

Prière d'avoir votre numéro de modèle ainsi que votre numéro de série à portée de la main avant de nous appeler.



**EMERSON™**

© 2015 Emerson

**Commercial & Residential Solutions**