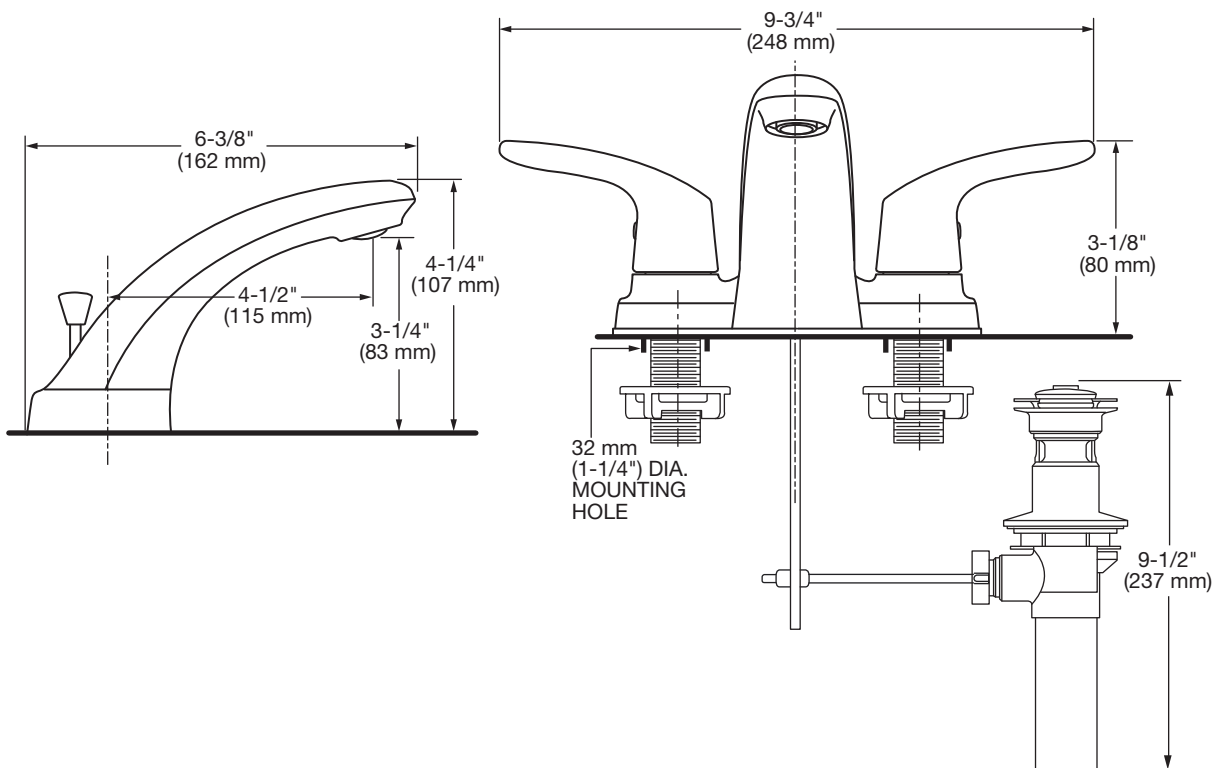


7075.200 Shown

MODEL NUMBER:

- ❑ **7075.200 Centerset Lavatory Faucet**
Metal Lever handles. Metal drain.
- ❑ **7075.202 Centerset Lavatory Faucet**
Metal lever handles. 50/50 Pop-up drain.
- ❑ **7075.205 Centerset Lavatory Faucet**
Metal lever handles. LESS drain. With pop-up hole, plug button and rod.



GENERAL DESCRIPTION:

Centerset lavatory faucet on 4" centers. 1/4 turn washerless ceramic disc valve cartridges. One-half inch male inlet shanks. Metal body. Color matched underbody. Metal lever handles. 1.2 gpm/4.5 L/min. maximum flow rate.

PRODUCT FEATURES:

- Ceramic Disc Valve Cartridge:** Assures a lifetime of drip-free performance.
- Lead Free:** Faucet contains $\leq 0.25\%$ total lead content by weighted average.
- Simple Installation:** Fast and easy one person installation. Faucet drops in from top. Quick spin nuts secure faucet in place.

SUGGESTED SPECIFICATION

Two-handle 4" centerset lavatory faucet shall feature 1/4 turn washerless ceramic disc valve cartridges. Fitting shall be American Standard Model # 7075.....

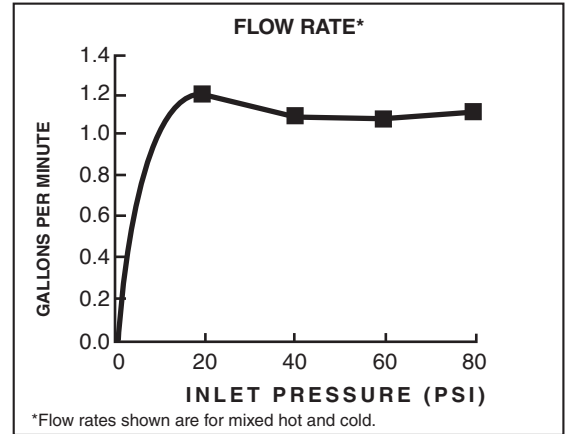


COLONY® PRO
TWO-HANDLE CENTERSET LAVATORY FAUCET
WITH LEVER HANDLES

CODES AND STANDARDS

These products meet or exceed the following codes and standards:

- ANSI A117.1**
- ASME A112.18.1**
- CSA B125.1**
- NSF 61/Section 9**
- NSF 372**



Product Number	Description		Finish Options		
			Polished Chrome	Legacy Bronze	PVD Satin Nickel
			002	278	295
7075.200	Colony PRO Single Control Centerset. Metal lever handle. Metal drain.				
7075.202	Colony PRO Single Control Centerset. Lever handle. 50/50 pop-up drain.				
7075.205	Colony PRO Single Control Centerset. Lever handle. LESS drain. With pop-up hole, plug button and rod.				

Meets the American Disabilities Act Guidelines and **ANSI A117.1** Requirements for the physically challenged.