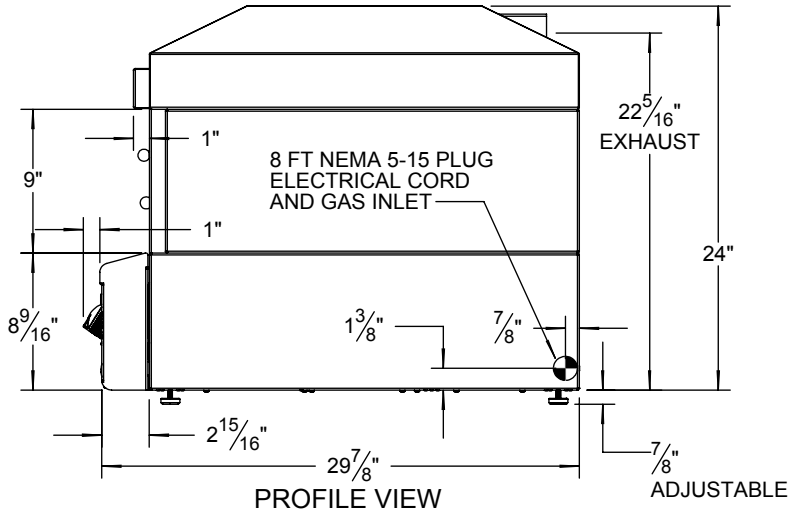
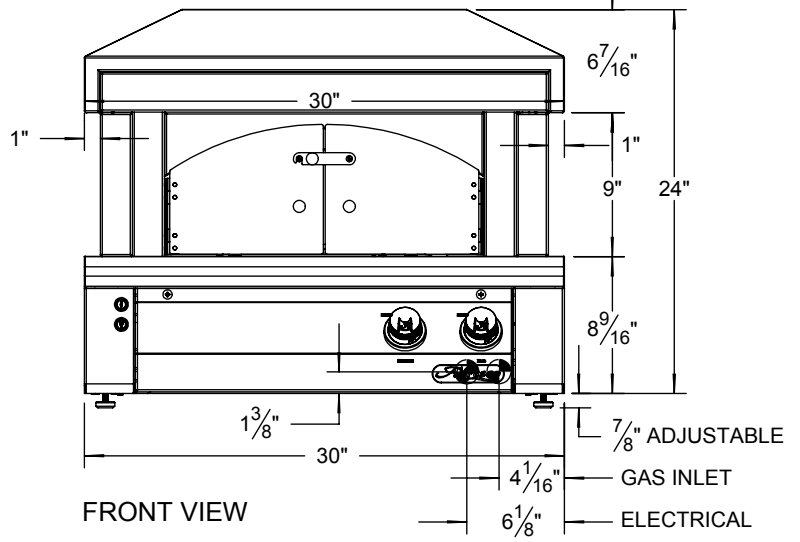
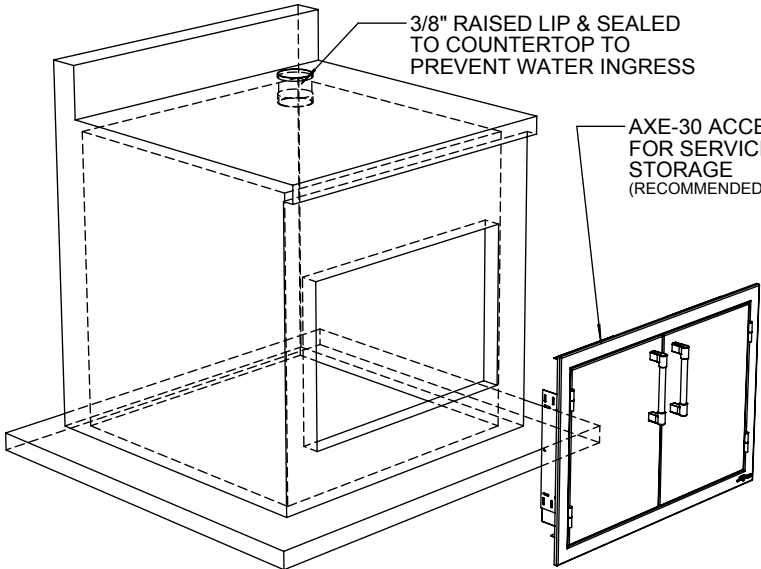
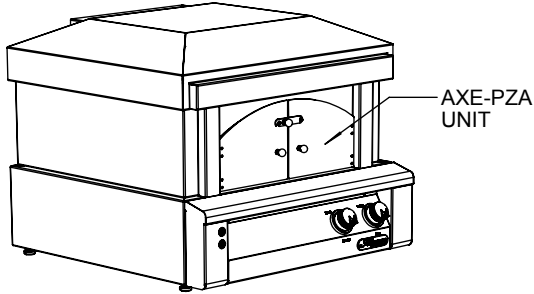
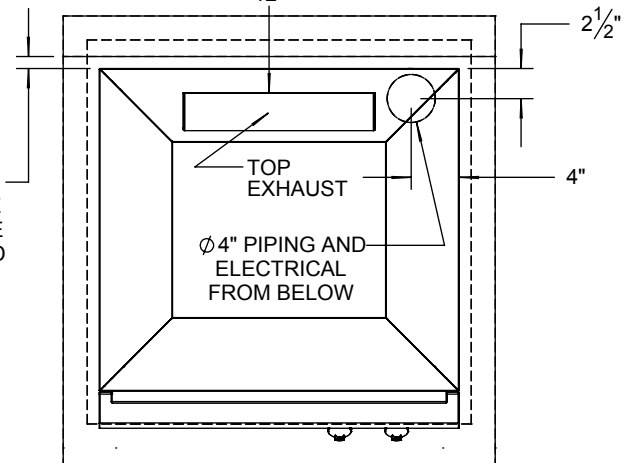


AXE-PZA TYPICAL COUNTER INSTALLATION

COUNTERTOP REQUIREMENTS (WITH CONNECTIONS AT BOTTOM)



NON-COMBUSTIBLE WALL CONSTRUCTION



REFER TO AXE-PZA MANUAL FOR PROPER CLEARANCE TO NON-COMBUSTIBLE MATERIALS AND OTHER CONSTRUCTION

SPECIFICATIONS:

BTUH = 35,600
 FUEL NG @ 5 W.C. / LP @ 10 W.C.
 ELECTRICAL POWER: 115 VAC / 0.3 A / 60 Hz.
 GAS CONNECTION = 1/2" NPT (NG) OR 3/8" ODF (LP)

Due to the unique design of the *Alfresco*™ Pizza Oven, the unit can be piped from behind or below when installed in a countertop setting. For additional information, please refer to the AXE-PZA Care and Use manual.



SUPERIOR EQUIPMENT SOLUTIONS
 7039 EAST SLAUSON AVENUE
 COMMERCE, CA. 90040

THE INFORMATION CONTAINED IN THIS DRAWING IS THE SOLE PROPERTY OF SUPERIOR EQUIPMENT SOLUTIONS INC. ANY REPRODUCTION IN PART OR AS A WHOLE WITHOUT WRITTEN PERMISSION FROM SUPERIOR EQUIPMENT SOLUTIONS, INC. IS PROHIBITED.

DRAWN BY: ADRIAN CRISCI
 CREATED: 6/22/2015

PROJECT TITLE:
AXE-PZA

DRAWING TITLE:
AXE-PZA COUNTERTOP MOUNTING

DRAWING NO.: **AXE-PZA SPEC SHEET**
 SHEET 1 OF 1