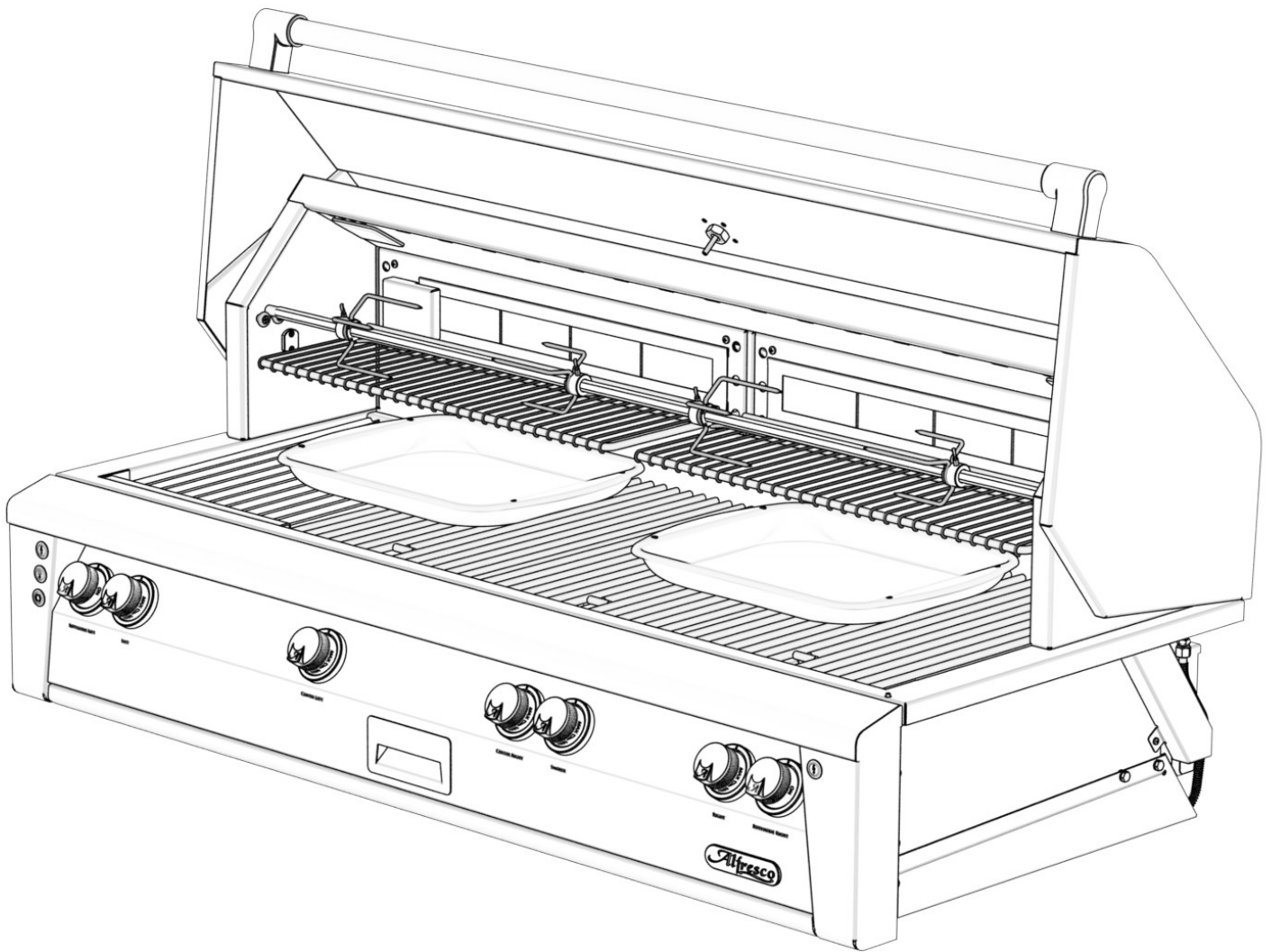
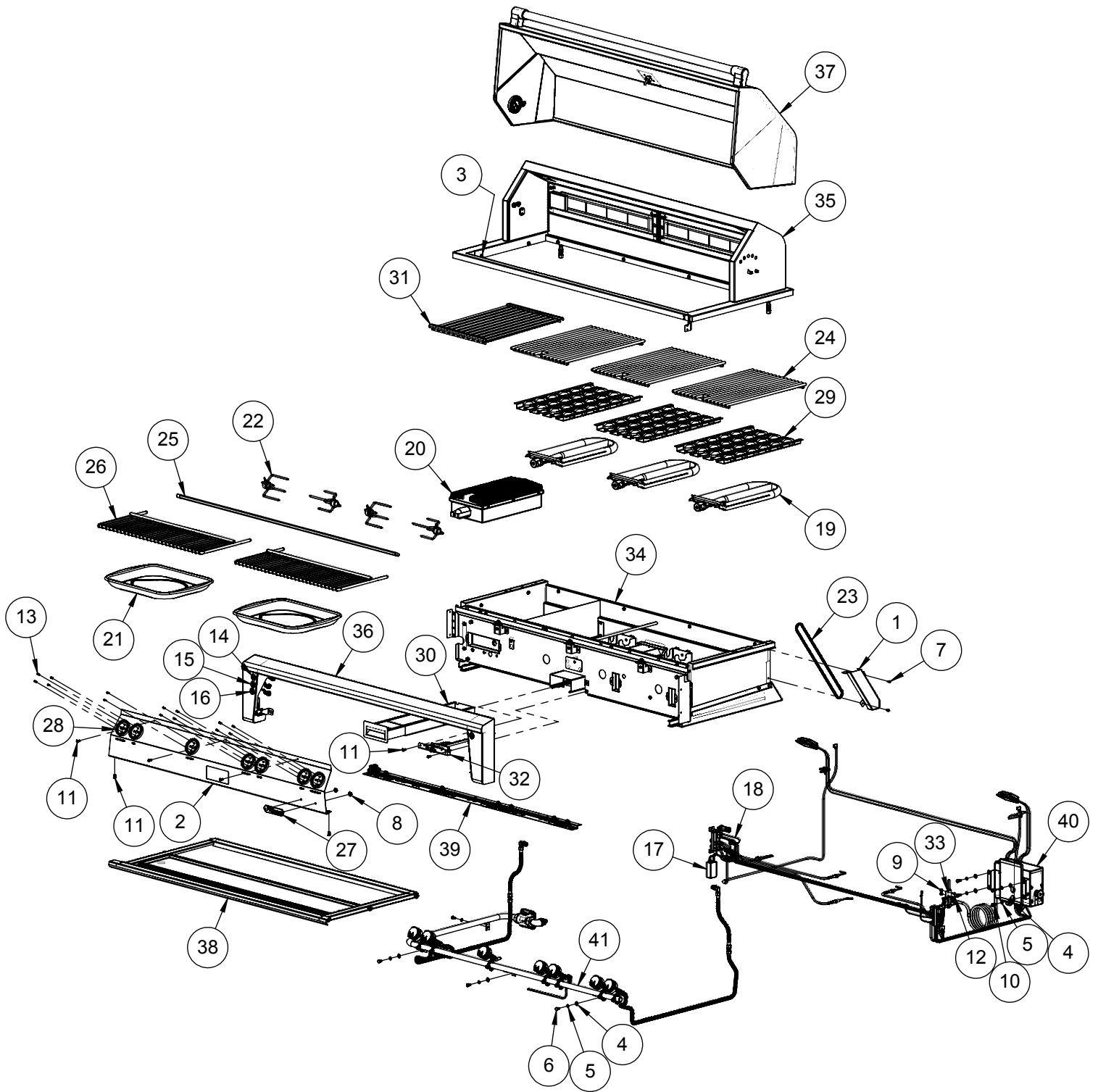


Alfresco™

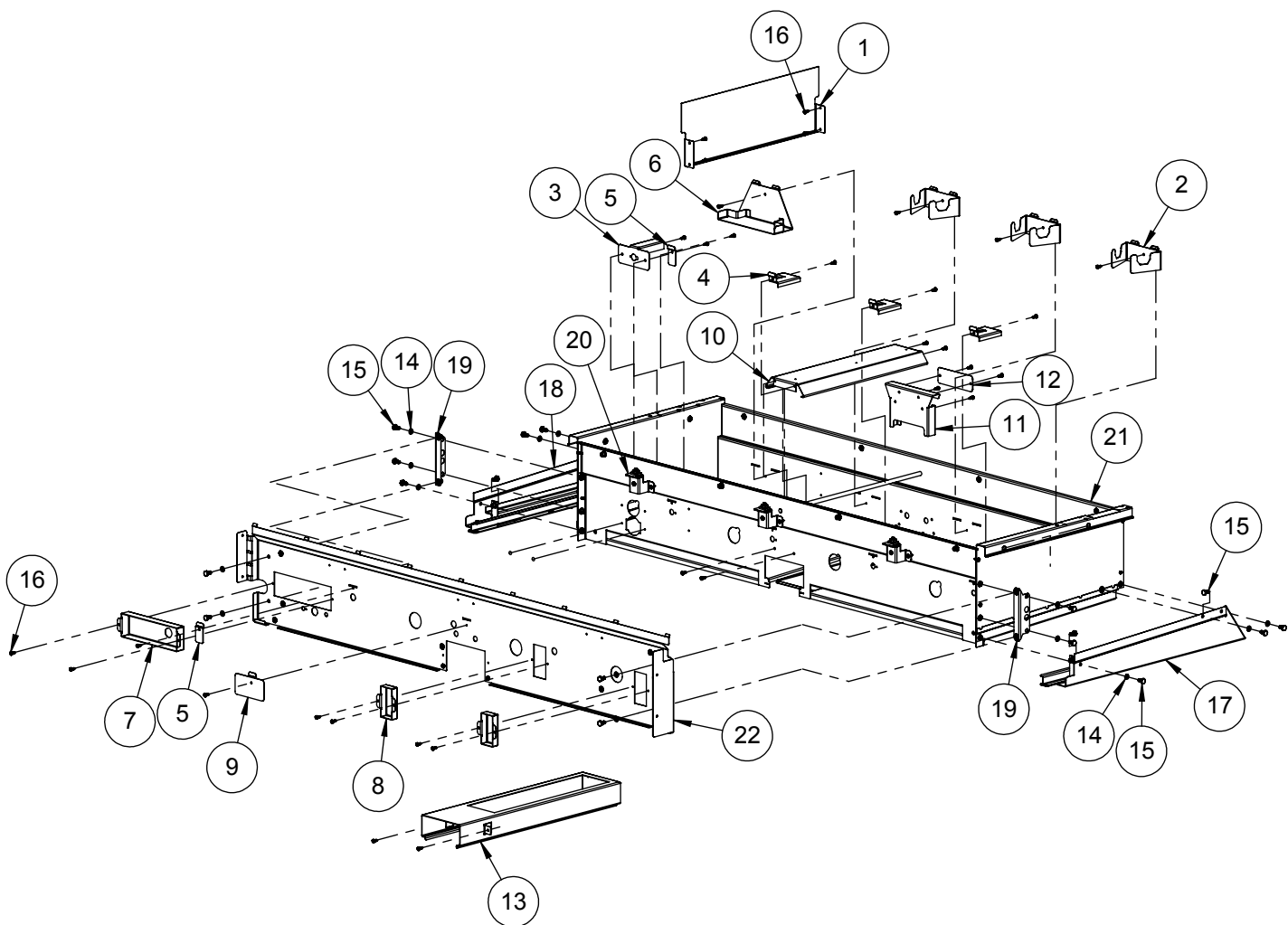
Open Air Culinary Systems



ALXE-56BFG Parts Manual

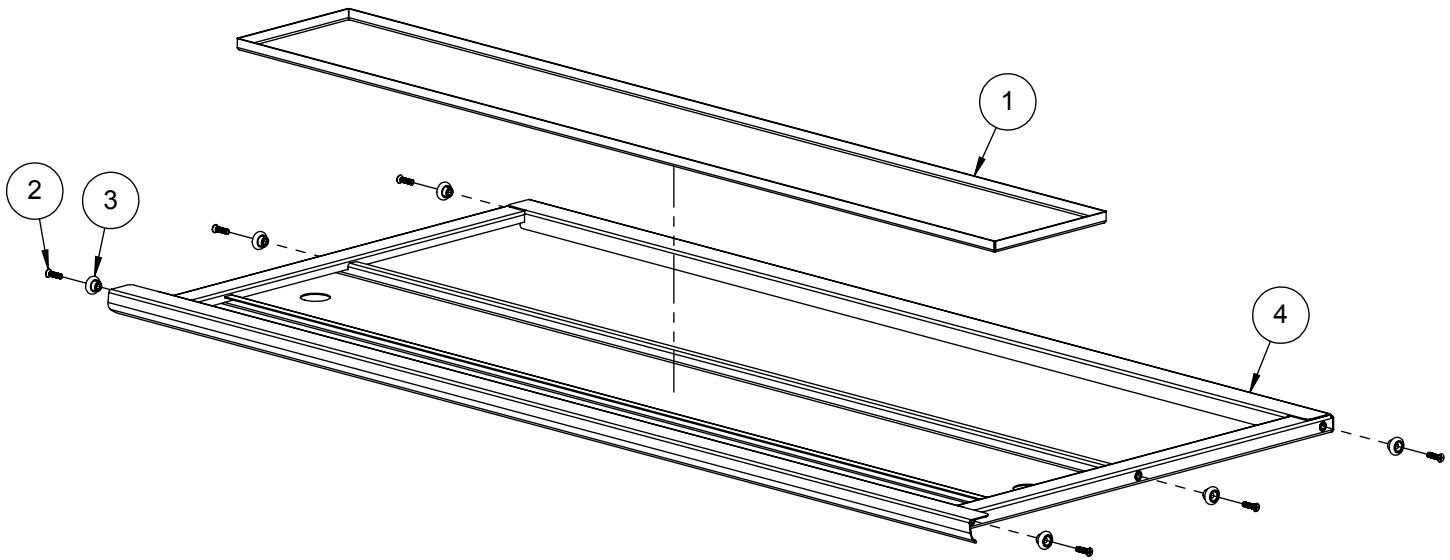


ITEM	PART NUMBER	DESCRIPTION	QTY
1	100-1877	ALX2 - ROTISSERIE CHAIN COVER	1
2	130-3070	FRONT PANEL	1
3	200-0057	SCREW 1/4-20 X 1/2 - TRUSS HEAD - PHILLIPS	12
4	200-0074	FLAT WASHER 1/4 TYPE A NARROW	7
5	200-0087	WASHER - 1/4" SPRING LOCK- REGULAR - SS	11
6	200-0089	BOLT - HEX HEAD 1/4-20 x 1/2" L	7
7	200-0111	SCREW 8-18 X 1/2 - SELF TAP - 410 SS	2
8	200-0125	NUT THREAD CUTTER FOR 1/4" Ø STUD -SPEED NUT	2
9	200-0206	8-32 KEP NUT 18-8 STAINLESS	2
10	200-0219	HEX HD MACHINE SCREW 1/4-20 UNC X 5/8 LONG SS	4
11	200-0267	10-32 X 1/2 - PAN HEAD - PHILLIPS SCREW	7
12	200-0270	8-32 PAN HD X 1/2 PHILLIPS 18-8 SS	2
13	200-0348	Screw 6-32 x 3/8 Flat Head (82°) phillips - Thread Cutter - #2 Drive - SS 410	14
14	210-0583	SWITCH - IGNITION - MOMENTARY [ON]/OFF	2
15	210-0584	SWITCH - LIGHT - LATCHING [ON/OFF]	1
16	210-0585	SWITCH - ROTISSERIE - LATCHING [ON/OFF]	1
17	210-0623	TRANSFORMER ASSY FOR ALXE	1
18	210-0632	ALXE-56BFG WIRING HARNESS	1
19	290-0038	BURNER - GRILL - "U" SHAPE	3
20	290-0052	ALFRESCO SEAR ZONE™ BURNER ASSEMBLY	1
21	290-0059	ROTISSERIE DRIP PAN	2
22	290-0096	FORK ASSEMBLY	4
23	290-0116	CHAIN - ANSI # 25 - 1/4" PITCH - .13" Ø X 1/8" ROLLER	1
24	290-0124	GRILL 30" BBQ - 12 3/4" WIDE - SS	3
25	290-0176	ALX2-56 BFG ROTISSERIE SPEAR	1
26	290-0315	ALX2-30 WARMING RACK - SS	2
27	290-0377	ALFRESCO RANGE LOGO	1
28	290-0388	ALFRESCO RANGE KNOB - BEZEL RING	7
29	510-0522	ALX2 - BRIQUETTE TRAY ASSEMBLY	3
30	510-0912	ALXE SMOKER BOX	1
31	510-0913	SEARZONE™ GRILL ASSEMBLY	1
32	510-0918	ALXE SMOKER BURNER ASSEMBLY	1
33	510-0930	ALXE HOOD SWITCH ASSEMBLY	1
34	510-0968	ALXE-56BFG FIREBOX MAIN ASSEMBLY	1
35	510-0971	REAR HOOD & RIM ASSEMBLY	1
36	510-0974	FRONT PANEL PERIMETER	1
37	510-0975	ALXE-BFG FRONT HOOD	1
38	510-0985	56" DRIP TRAY ASSEMBLY	1
39	510-1002	ALXE-56BFG LED LIGHT FIXTURE	1
40	510-1054	ALXE-56BFG ELECTRICAL COMPONENTS	1
41	510-1058	GAS MANIFOLD ASSEMBLY	1

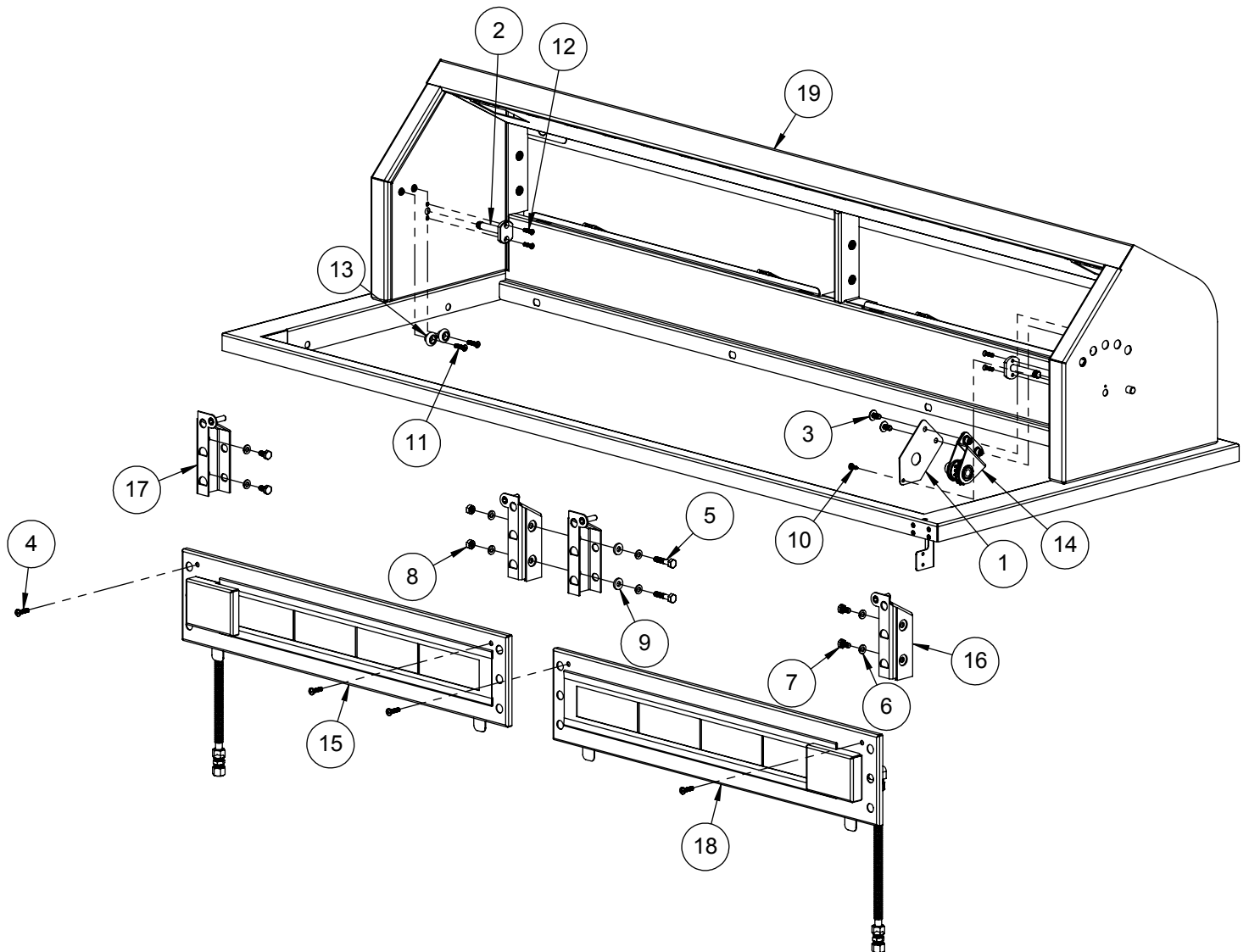


ITEM	PART NUMBER	DESCRIPTION	QTY
1	100-1201	BFG SEARZONE™ HEAT SHIELD	1
2	100-1846	ALX2 - U-BURNER BRACKET	3
3	100-1847	ALX2 - SEAR-ZONE IGNITER BRACKET / SHIELD	1
4	100-1848	ALX2 - IGNITER SHIELD	3
5	100-1849	ALX2 - IGNITER HOLE COVER	2
6	100-1884	ALX2 - SEAR-ZONE™ BURNER BRACKET	1
7	100-1887	ALX2 - DUAL VALVE FIREWALL COVE	1
8	100-1888	ALX2 - SINGLE VALVE FIREWALL COVE	2
9	100-1890	ALX2 - FIREWALL OPENING COVER FOR SEARZONE™	1
10	130-3040	ALXE SMOKER BOX TOP DIFFUSER	1
11	130-3041	FLUE	1
12	130-3047	REAR COVER PLATE	1
13	130-3100	SMOKER BOX BODY	1
14	200-0087	WASHER - 1/4" SPRING LOCK- REGULAR - SS	18
15	200-0089	BOLT - HEX HEAD 1/4-20 x 1/2" L	18
16	200-0111	SCREW 8-18 X 1/2 - SELF TAP - 410 SS	40
17	510-0502	ALX2 - GREASE TRAY SUPPORT - RIGHT SIDE	1
18	510-0503	ALX2 - GREASE TRAY SUPPORT - LEFT SIDE	1
19	510-0520	ALX2 - FIREWALL SUPPORT BRACKET ASSEMBLY	2
20	510-0904	ALXE FRONT PANEL MNTG BRKT	3
21	510-0969	FIREBOX WELDED PARTS	1
22	510-0978	FIREWALL ASSEMBLY	1

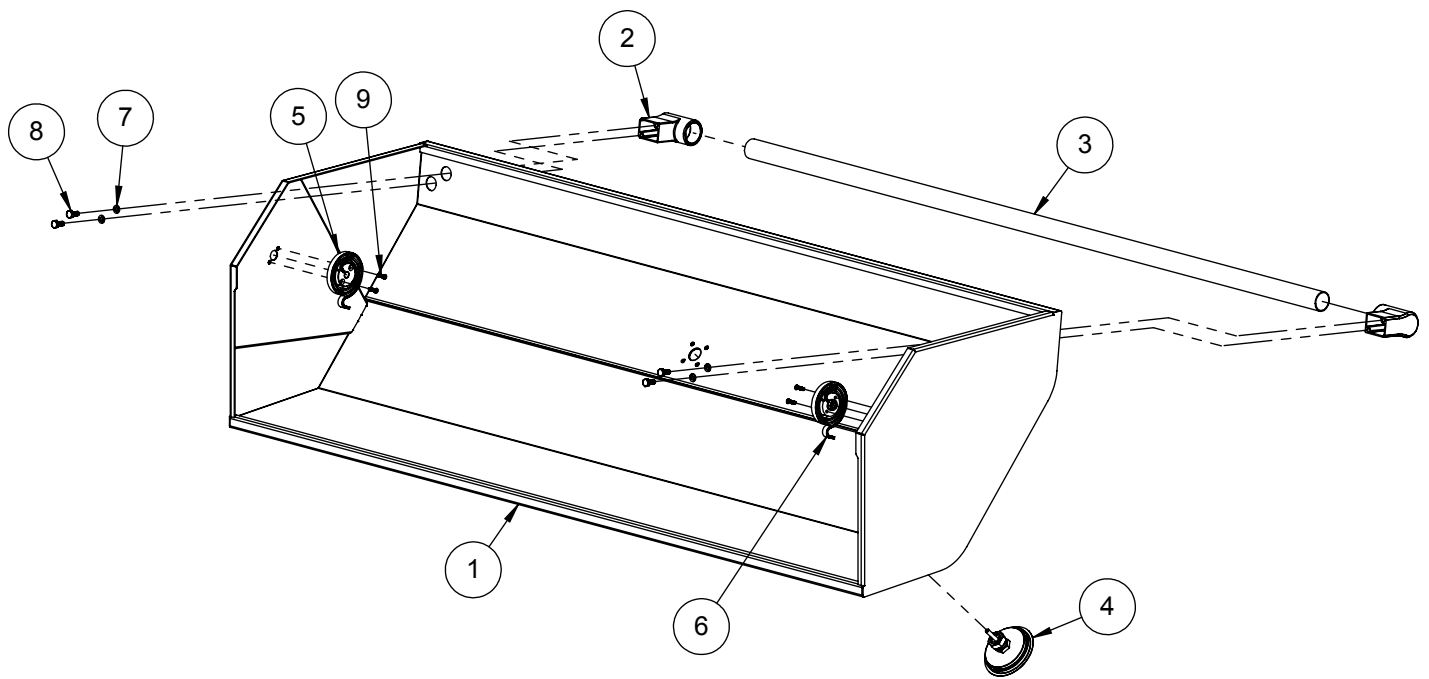
ITEM	PART NUMBER	DESCRIPTION	QTY
1	130-3109	DRIP TRAY INSERT	1
2	200-0148	SCREW 10-32 X 3/4" - FLAT HEAD - PHILLIPS - 82° - SS	6
3	290-0119	ROLLER WHEEL - STAINLESS STL - 3/4" Ø -	6
4	510-0984	DRIP TRAY WELDED PARTS	1



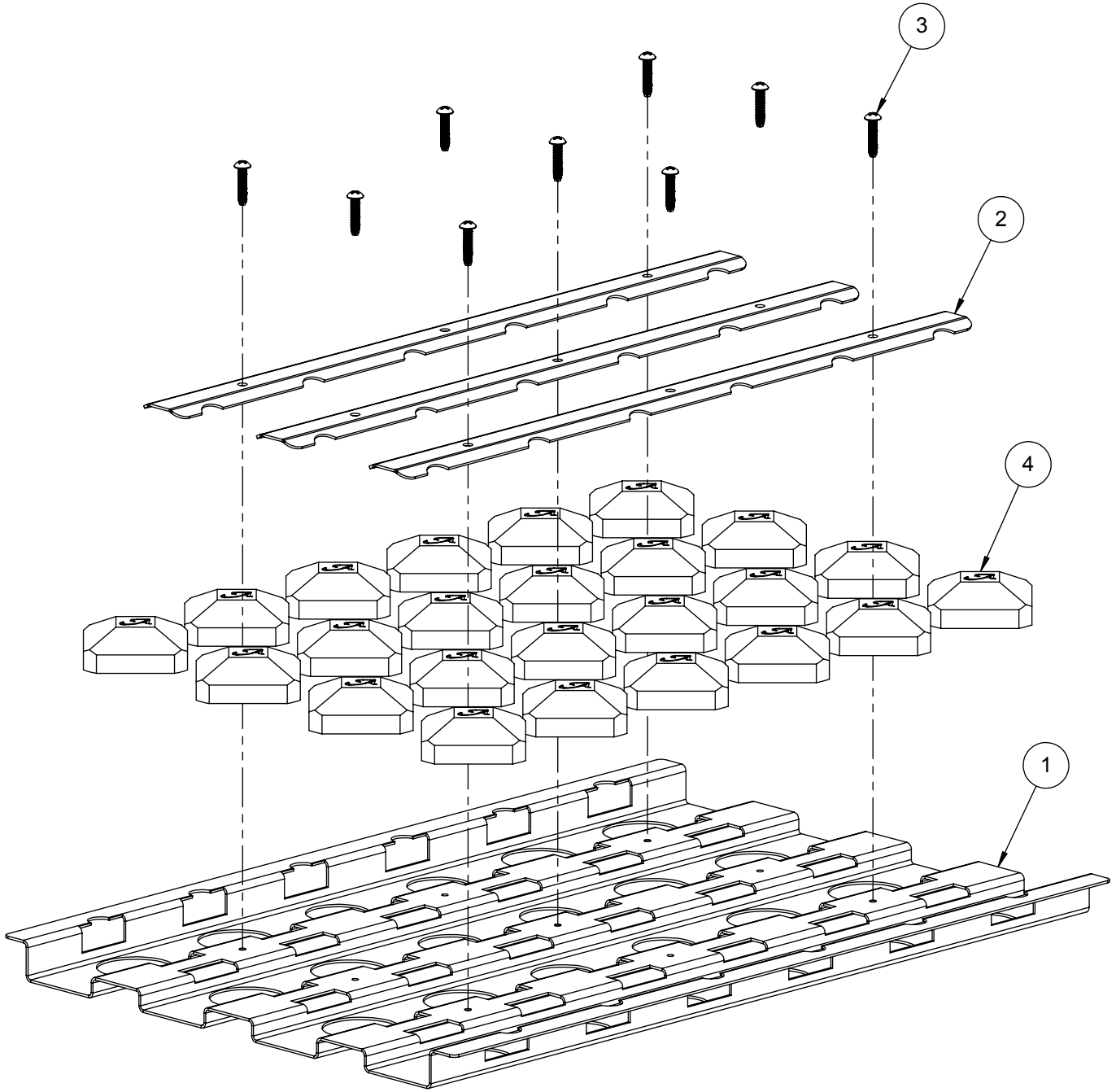
ITEM	PART NUMBER	DESCRIPTION	QTY
1	100-1092	ALX2 - ROTISSERIE GEAR COVER	1
2	130-2985	PIVOT PIN	2
3	200-0057	SCREW 1/4-20 X 1/2 - TRUSS HEAD - PHILLIPS	2
4	200-0062	10-32 X 3/4 - PAN HEAD - PHILLIPS SCREW	4
5	200-0065	SCREW 1/4-20 x 1-1/4" - SS - HEX HEAD	2
6	200-0087	WASHER - 1/4" SPRING LOCK- REGULAR - SS	8
7	200-0089	BOLT - HEX HEAD 1/4-20 x 1/2" L	4
8	200-0090	1/4-20 - DOUBLE CHAMFER - HEX NUT	2
9	200-0092	1/4 X 1/8 X 5/8 FLAT WASHER - SPACER	2
10	200-0111	SCREW 8-18 X 1/2 - SELF TAP - 410 SS	1
11	200-0148	SCREW 10-32 X 3/4" - FLAT HEAD - PHILLIPS - 82° - SS	2
12	200-0361	SCREW 8-32 X 5/8" - FLAT HEAD 82° - PHILLIPS	4
13	290-0119	ROLLER WHEEL - STAINLESS STL - 3/4" Ø -	2
14	510-0139	ALX2 - ROTISSERIE GEAR ASSEMBLY	1
15	510-0478	ALX2-30 / 30SZ - ROTISSERIE PANEL ASSY	1
16	510-0483	ALX2-30 / 30SZ- WARMING RACK BRACKET - RT SIDE	2
17	510-0484	ALX2-30 / 30SZ - WARMING RACK BRACKET-LT SIDE	2
18	510-0584	ALX2-56 BFG ROTISSERIE PANEL - RIGHT SIDE	1
19	510-0972	REAR HOOD & RIM WELDED PARTS	1



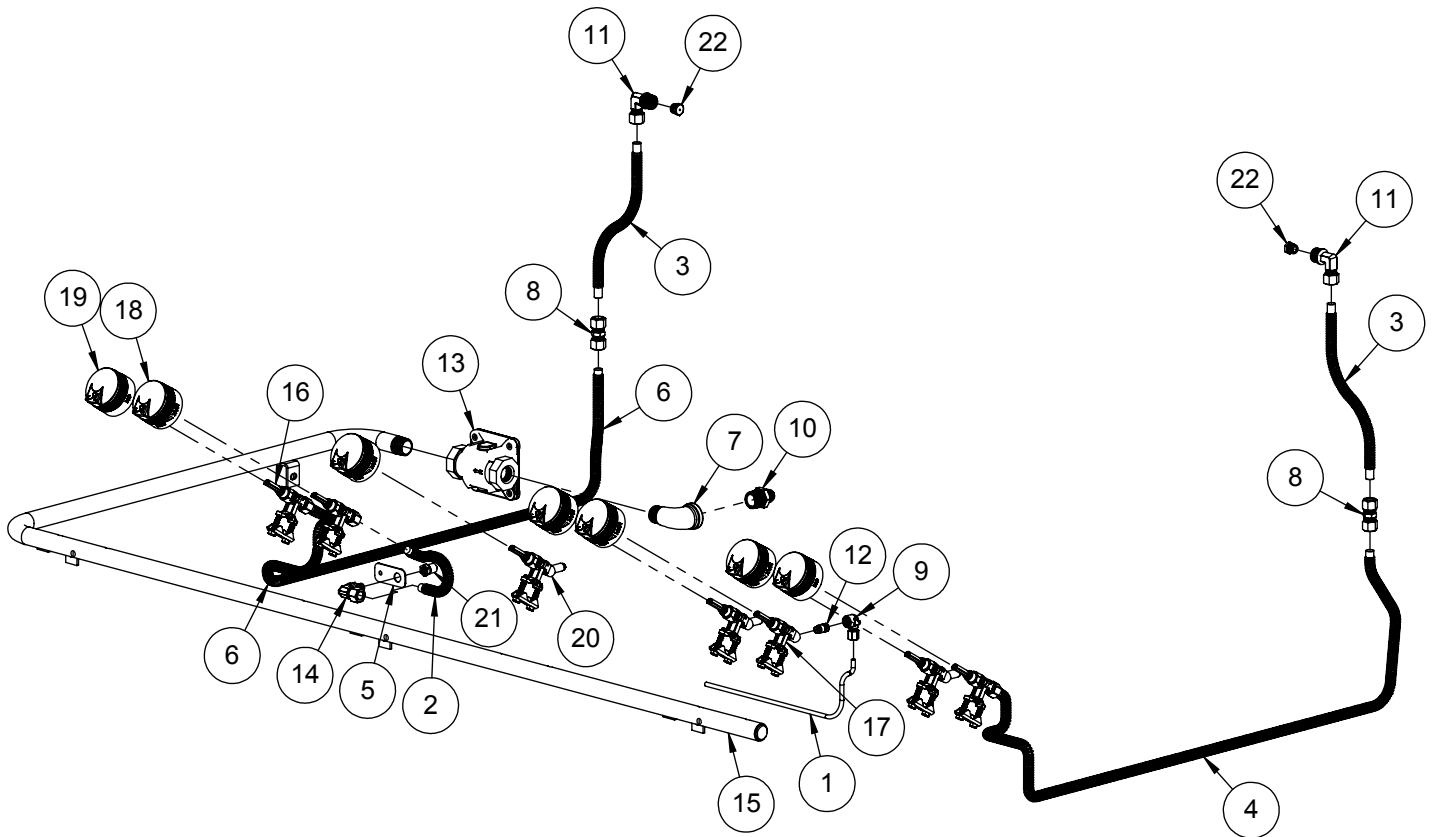
ITEM	PART NUMBER	DESCRIPTION	QTY
1	510-0976	FRONT HOOD (WELDED PARTS)	1
2	290-0400	ALFRESCO BBQ / RANGE HANDLE END CAP	2
3	290-0450	ALXE-56BFG BARBECUE HOOD HANDLE	1
4	210-0571	ALFRESCO 3-1/8 DIA ALXE THERMOMETER	1
5	510-0924	SPIRAL TORSION SPRING LT	1
6	510-0925	SPIRAL TORSION SPRING RT	1
7	200-0087	WASHER - 1/4" SPRING LOCK- REGULAR - SS	4
8	200-0219	HEX HD MACHINE SCREW 1/4-20 UNC X 5/8 LONG SS	4
9	200-0361	SCREW 8-32 X 5/8" - FLAT HEAD 82° - PHILLIPS	4



ITEM	PART NO.	DESCRIPTION	QTY
1	100-1894	ALX2 - BRIQUETTE TRAY BASE	1
2	100-1895	ALX2 - BRIQUETTE LOCK BAR	3
3	200-0312	SCREW 8-32 x 3/4" - PAN HEAD - PHILLIPS - THREAD CUTTER TYPE F	9
4	265-0005	BRIQUETTE - ALFRESCO CUSTOM	24



ITEM	PART NUMBER	DESCRIPTION	QTY
1	100-0913	30" & 56" BFG BBQ SMOKER GAS LINE	1
2	100-0917	SEAR ZONE™ GAS LINE (8"L x 3/8" Ø - SS. FLEX TUBE)	1
3	100-0917	ROTISSERIE GAS LINE EXTENSION - 3/8"Ø X 8" - SS	2
4	100-0949	ROTISSERIE GAS LINE (36"L x 3/8" Ø - SS. FLEX TUBE)	1
5	100-1067	ALX2- SMOKER & SZ™ ORIFICE BRACKET	1
6	100-1949	ROTISSERIE GAS LINE (36"L x 3/8" Ø - SS. FLEX TUBE)	1
7	200-0274	ELBOW 90° - CAST IRON - 1/2" FPT x 1/2" MPT	1
8	220-0151	COUPLING 3/8" x 3/8" - COMPRESSION - BRASS	2
9	220-0273	ELBOW 90° - 1/8" FPT x 3/16" COMP	1
10	220-0275	NIPPLE - 1/2" MPT X 3/8" OD FL	1
11	220-0276	ELBOW .375 MPT x .375 COMP	2
12	220-0277	NIPPLE 1/8"MPT x 1/16"MPT	1
13	220-0280	REGULATOR GAS - MAXITROL RV48CL440002	1
14	220-0293	ELBOW 3/8-27 UNS x 3/8" COMP	1
15	220-0349	MANIFOLD - ALX2-56" BFG	1
16	290-0041	GAS VALVE - STRAIGHT - WITHOUT ORIFICES	3
17	290-0066	GAS VALVE - ANGLED - ORIFICE: INT= 0.95 mm / EXT=NONE	1
18	290-0433	ALFRESCO - BBQ KNOB	5
19	290-0434	ALFRESCO -ROTISSERIE / SEAR ZONE™ KNOB	2
20	SEE NOTE	GAS VALVE - ANGLED WITH ORIFICE >>> SEE NOTE	3
21	SEE NOTE	ORIFICE - SEAR ZONE™ >>> SEE NOTE	1
22	SEE NOTE	ORIFICE - IR ROTISSERIE UNIT (SEE NOTE FOR SIZING)	2



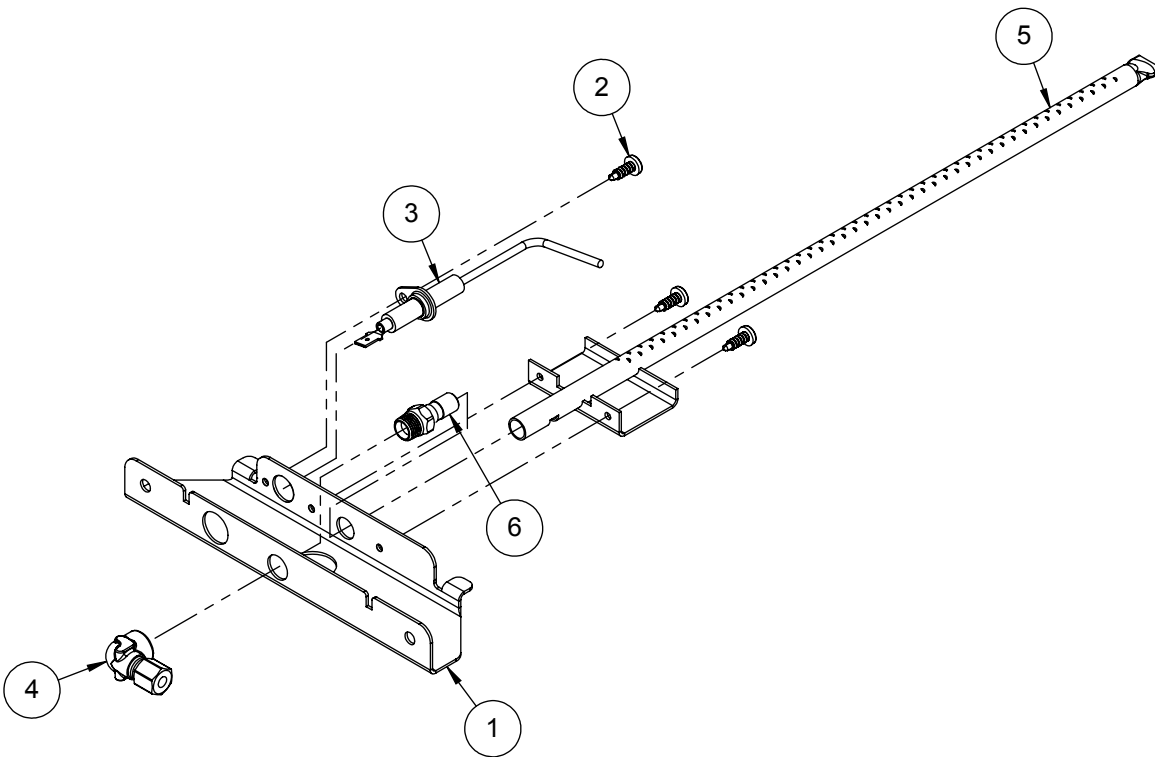
NOTE: ORIFICE OR VALVE ASSEMBLY TO CHANGE ACCORDING TO FUEL SUPPLY (NG OR LP).

ITEM	NG PART #	LP PART #
20	290-0310	290-0311
21	220-0289	220-0290
22	220-0285	220-0286

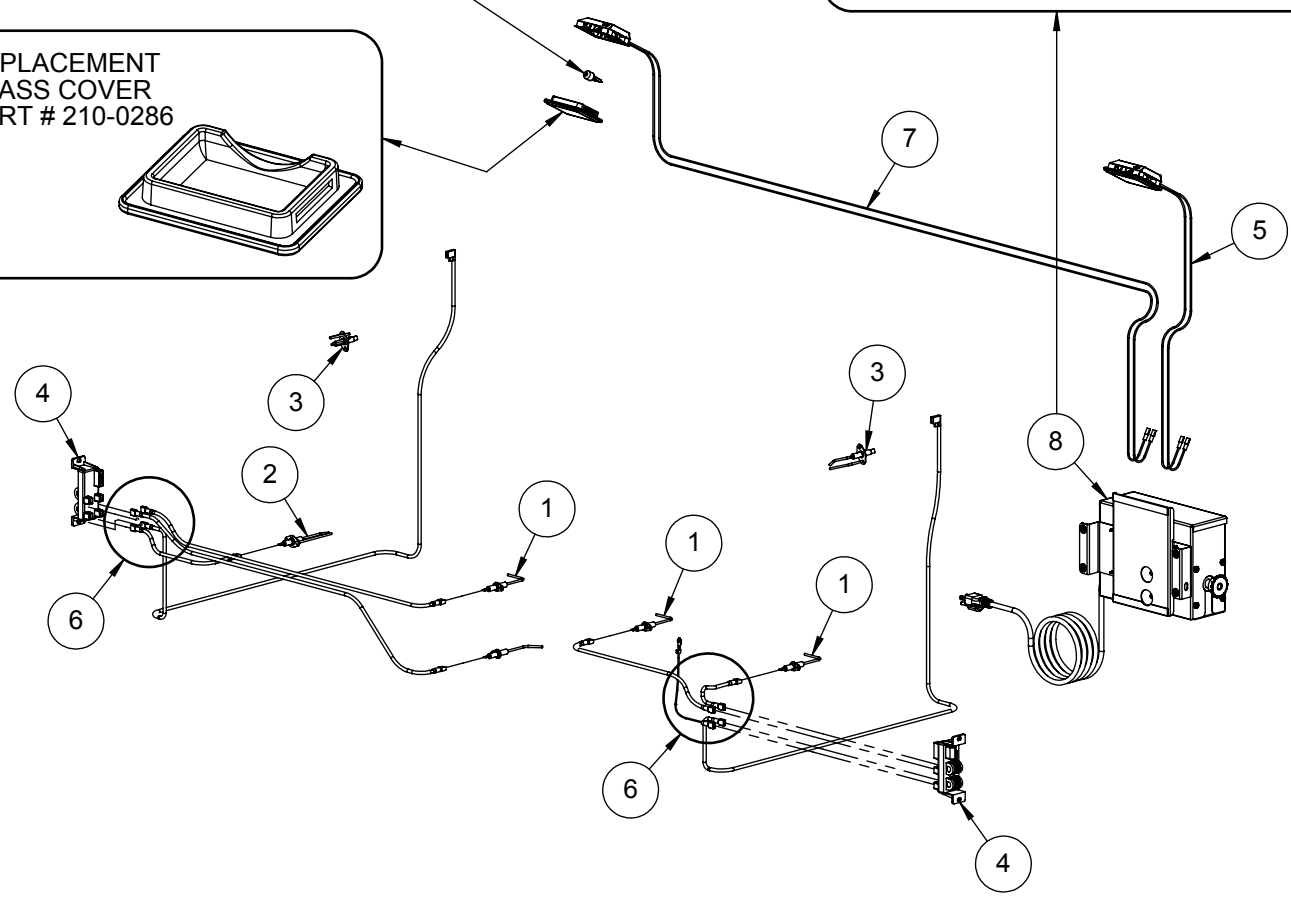
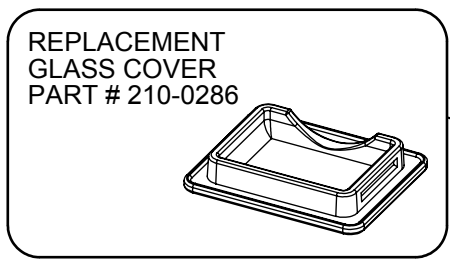
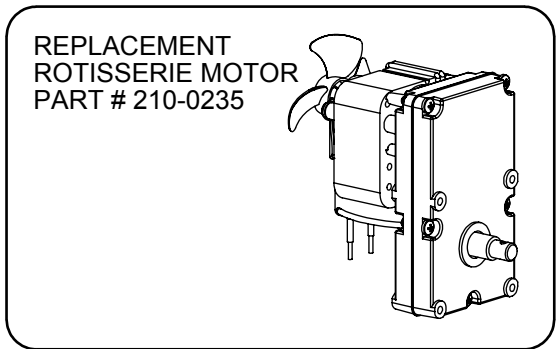
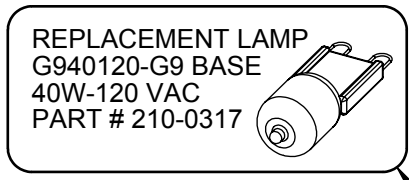
ITEM	PART NUMBER	DESCRIPTION	QTY
1	130-3019	MOUNTING BRACKET	1
2	200-0111	SCREW 8-18 X 1/2 - SELF TAP - 410 SS	3
3	210-0189	ELECTRODE - "L" SHAPED - MAIN BURNER	1
4	220-0273	ELBOW 90° - 1/8" FPT x 3/16" COMP	1
5	510-0504	ALX2 - SMOKER BURNER ASSEMBLY	1
6	SEE NOTE	ORIFICE - SMOKER UNIT >>> SEE NOTE	1

NOTE: ORIFICE OR VALVE ASSEMBLY TO CHANGE ACCORDING TO FUEL SUPPLY: NATURAL GAS OR LIQUID PROPANE

ITEM	NG GAS	LP GAS
	PART #	PART #
6	220-0313	220-0314



ITEM	PART NUMBER	DESCRIPTION	QTY
1	210-0189	ELECTRODE - "L" SHAPED - U-BURNER / SMOKER	4
2	210-0192	ELECTRODE - DUAL TIP - SEARZONE™	1
3	210-0240	ELECTRODE - DUAL TIP "L" SHAPE- ROTISSERIE	2
4	210-0465	IGNITER MODULE (4 POINTS)	2
5	210-0509	LAMP ASSEMBLY (32" WIRE LENGTH)	1
6	210-0523	ALX2-56 BFG - IGNITER WIRE KIT	1
7	210-0535	LAMP ASSEMBLY (56" WIRE LENGTH)	1
8	510-0514	ALX2 - ROTISSERIE MOTOR BOX ASSEMBLY	1

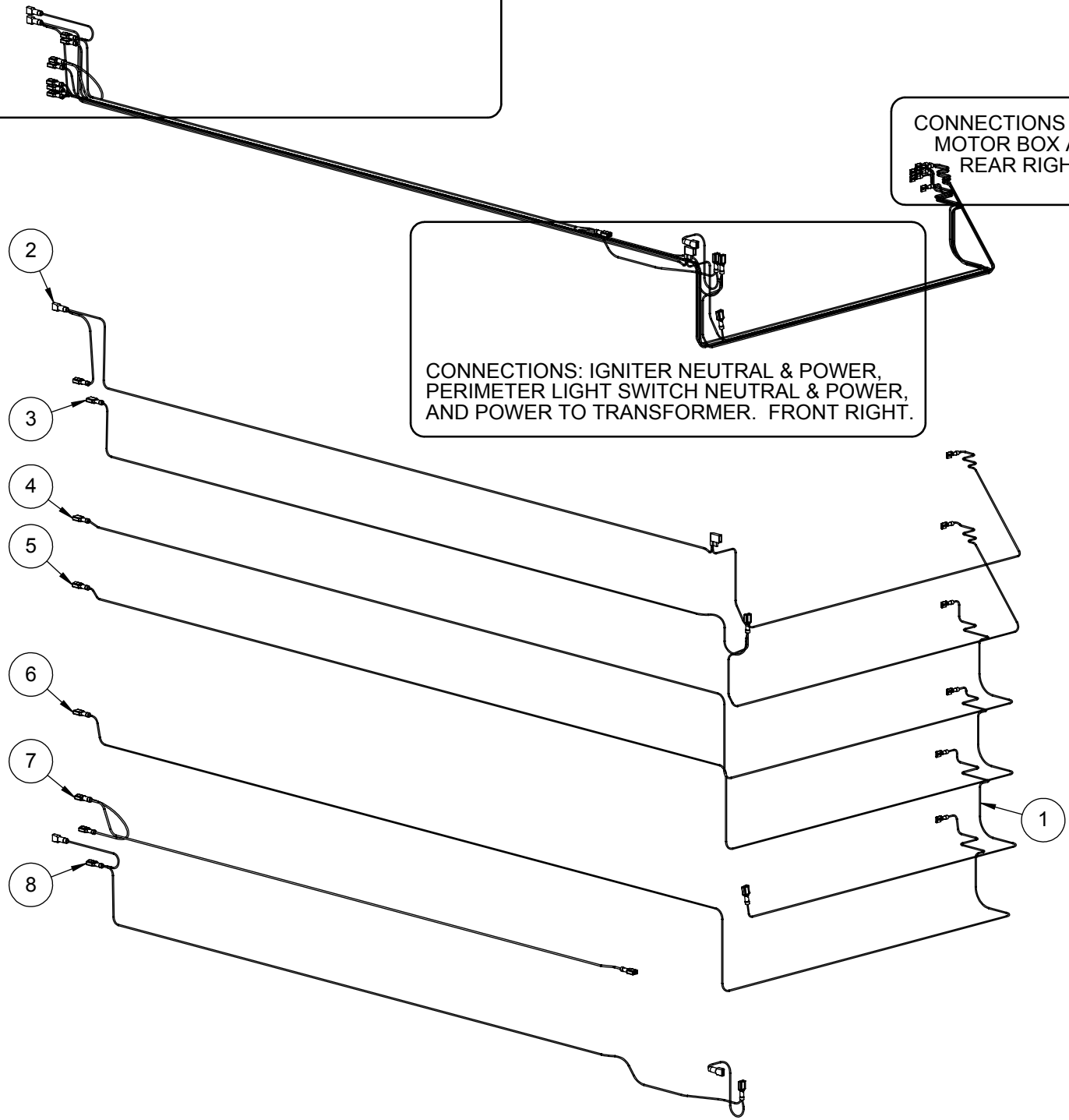


ITEM	PART NUMBER	DESCRIPTION	QTY
1	210-0590	WIRE NUMBER 12	1
2	210-0633	WIRE NUMBER 2	1
3	210-0634	ALXE-56BFG WIRE NUMBER 3	1
4	210-0635	ALXE-56BFG WIRE NUMBER 7	1
5	210-0636	ALXE-56BFG WIRE NUMBER 14	1
6	210-0637	ALXE-56BFG WIRE NUMBER 8	1
7	210-0638	ALXE-56BFG LIGHT POWER WIRE	1
8	210-0639	LINK BETWEEN IGNITER SWITCHES	1

CONNECTIONS: NEUTRAL TO TRANSFORMER, POWER TO TRANSFORMER AND IGNITER, LIGHTS & ROTISSERIE SWITCHES. FRONT LEFT.

CONNECTIONS IN MOTOR BOX AT REAR RIGHT.

CONNECTIONS: IGNITER NEUTRAL & POWER, PERIMETER LIGHT SWITCH NEUTRAL & POWER, AND POWER TO TRANSFORMER. FRONT RIGHT.



Alfresco[™]

Open Air Culinary Systems

ALXE-56BFG PARTS MANUAL

ALFRESCO[™] GOURMET GRILLS

ALL RIGHTS RESERVED 05/2016