



**Stella® Freestanding Bathtub**

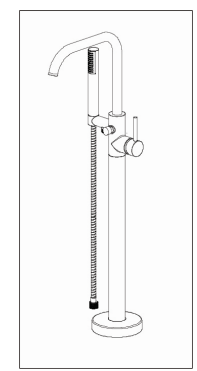
Letter	Description	Soaking	
		5931	6731
-	Drain Location	Universal	
-	Equipment Location	--	
-	Cutout Template	--	
-	Drop-In Cutout Dimensions (L x W)	--	--
-	Total Weight	888 lbs (403 kg)	921 lbs (418 kg)
-	Floor Loading	71 lb/ft <sup>2</sup> (347 kg/m <sup>2</sup> )	74 lb/ft <sup>2</sup> (361 kg/m <sup>2</sup> )
-	Operating Gallons (Min./Max.)	64 Gal (242 L)	68 Gal (257 L)
-	Product Weight	107 lbs (49 kg)	107 lbs (49 kg)
-	Soaking Depth	16" (406 mm)	16.3" (414 mm)
L	Outer Length	59" (1499 mm)	66.8" (1697 mm)
W	Outer Width	30.4" (772 mm)	31.4" (798 mm)
H	Overall Height (Min./Max.)	23.6" / 28.4" (599 mm / 721 mm)	23.1" / 28.3" (587 mm / 719 mm)
A	Overflow Height	16.3" (414 mm)	16.6" (422 mm)
B	Long Edge to Drain Center	12.5" (318 mm)	13.4" (340 mm)
C	Short Edge to Drain Center	15.2" (386 mm)	15.7" (399 mm)
D	Drain Shoe Length	--	--
E	Flange Height	--	--
F	Deck Width*	1.5" (38 mm)	1.5" (38 mm)
G	Service Access Dimensions	No Service Access	No Service Access
I	Floor Cutout for Drain	4" x 4" (102 mm x 102 mm)	4" x 4" (102 mm x 102 mm)
J	Interior Dimensions Bottom of Bath J(L) x J(W)	40.4" x 20.8" (1026 mm x 528 mm)	41" x 19.8" (1041 mm x 503 mm)
K	Interior Dimensions Top of Bath K(L) x K(W)	56.3" x 27.2" (1430 mm x 691 mm)	64" x 28.3" (1626 mm x 719 mm)
L2	Interior Depth - Drain End	19.3" (490 mm)	18.5" (470 mm)
M	Backrest Angle	24°	35°
N	Footprint (L x W)	39" x 21.7" (991 mm x 551 mm)	41.3" x 20.5" (1049 mm x 521 mm)

**NOTE**  
The overall dimensions are nominal with a tolerance of +0 and -.25" (6 mm).

**CAUTION:** The integral overflow cover is not removable. The warranty will be voided if attempted.

Tub/PT62 Filler Bundle Available

Tub Size	Tub Filler Finish	Bundle Part No.
6731	Chrome	STB6731BUXXXXW
	Brushed Nickel	STN6731BUXXXXG
	Matte Black	STM6731BUXXXXG
	Brushed Bronze	STZ6731BUXXXXG
5931	Chrome	STB5931BUXXXXW
	Brushed Nickel	STN5931BUXXXXG
	Matte Black	STM5931BUXXXXG
	Brushed Bronze	STZ5931BUXXXXG

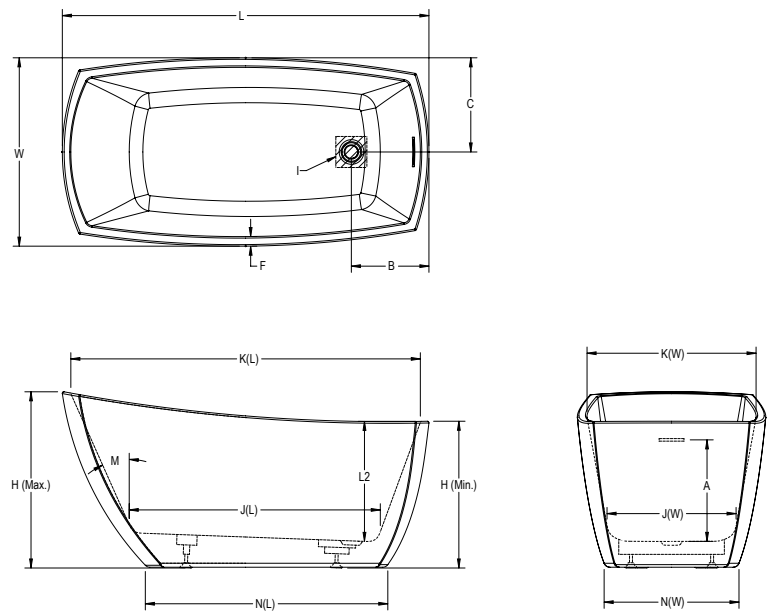


PT62 Tub Filler Faucet

**KEY DIMENSIONS**

\*Deck width reflects only area indicated on detail.

**NOTE:** Drawings not to scale.



©2019 Jacuzzi Luxury Bath • For additional information, call Customer Service 800-288-4002 • [www.jacuzzi.com/baths](http://www.jacuzzi.com/baths)  
Refer to installation instructions included with fixture before beginning installation. Please confirm product availability and specifications before commencing with any installation work.

PRODUCT SPECIFICATIONS AND AVAILABILITY ARE SUBJECT TO CHANGE WITHOUT NOTICE